

[54] COMBINED SLOW SPEED VERTICAL AIR CIRCULATING FAN AND LIGHT FIXTURES

[76] Inventor: Thomas C. Frampton, 377 S. Northcliff Rd., Pasadena, Calif. 91107

[**] Term: 14 Years

[21] Appl. No.: 343,251

[22] Filed: Apr. 26, 1989

[52] U.S. Cl. D23/379; D26/59

[58] Field of Search D23/377, 379, 385, 413, D23/411; 362/96; D26/59, 72, 81, 84, 88, 91, 85; 416/5, 246

[56] References Cited

U.S. PATENT DOCUMENTS

D. 70,331	6/1926	Kemeny	D26/81
D. 259,060	4/1981	Hansen	D26/59
882,694	5/1907	Kirschweg	416/246
3,008,742	11/1961	Goldstein	D26/85

OTHER PUBLICATIONS

Casa Blanca Fan Co. cat., front cover, The Daniels Fan System, bottom of page.

Winnower World Wide, Inc. cat., ©1987, p. 39, Light Kits 1026 and 1084.

Primary Examiner—James M. Gandy

Assistant Examiner—Lisa Lichtenstein

Attorney, Agent, or Firm—J. L. Jones

[57] CLAIM

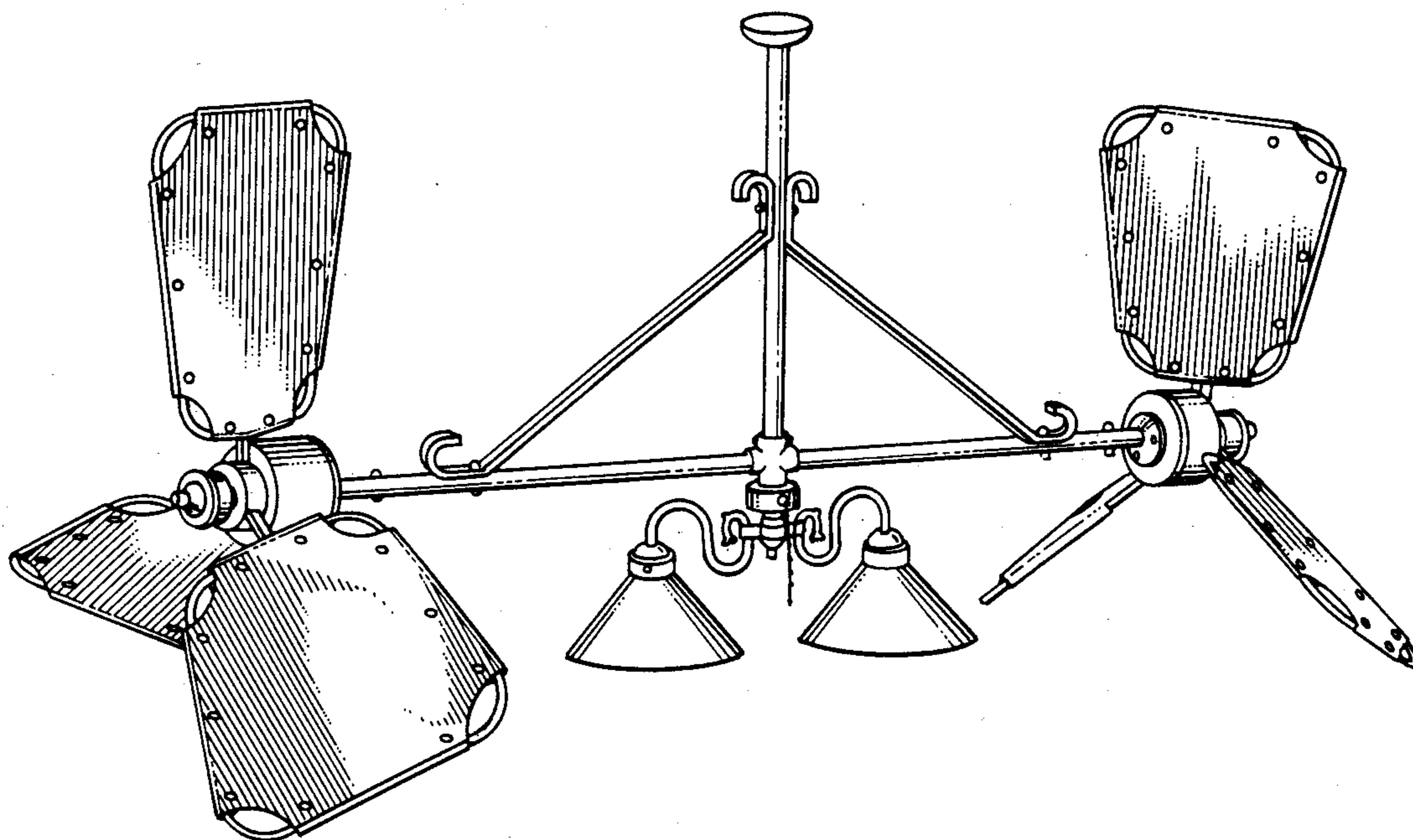
The ornamental design for a combined slow speed vertical air circulating fan and light fixtures, as shown and described.

DESCRIPTION

FIG. 1 is a perspective view of a combined slow speed vertical air circulating fan and light fixtures, showing my new design;

FIG. 2 is an enlarged end elevation view thereof, the opposite end being a mirror image of that shown; and

FIG. 3 is an enlarged side elevation view thereof, the opposite side being a mirror image of that shown.



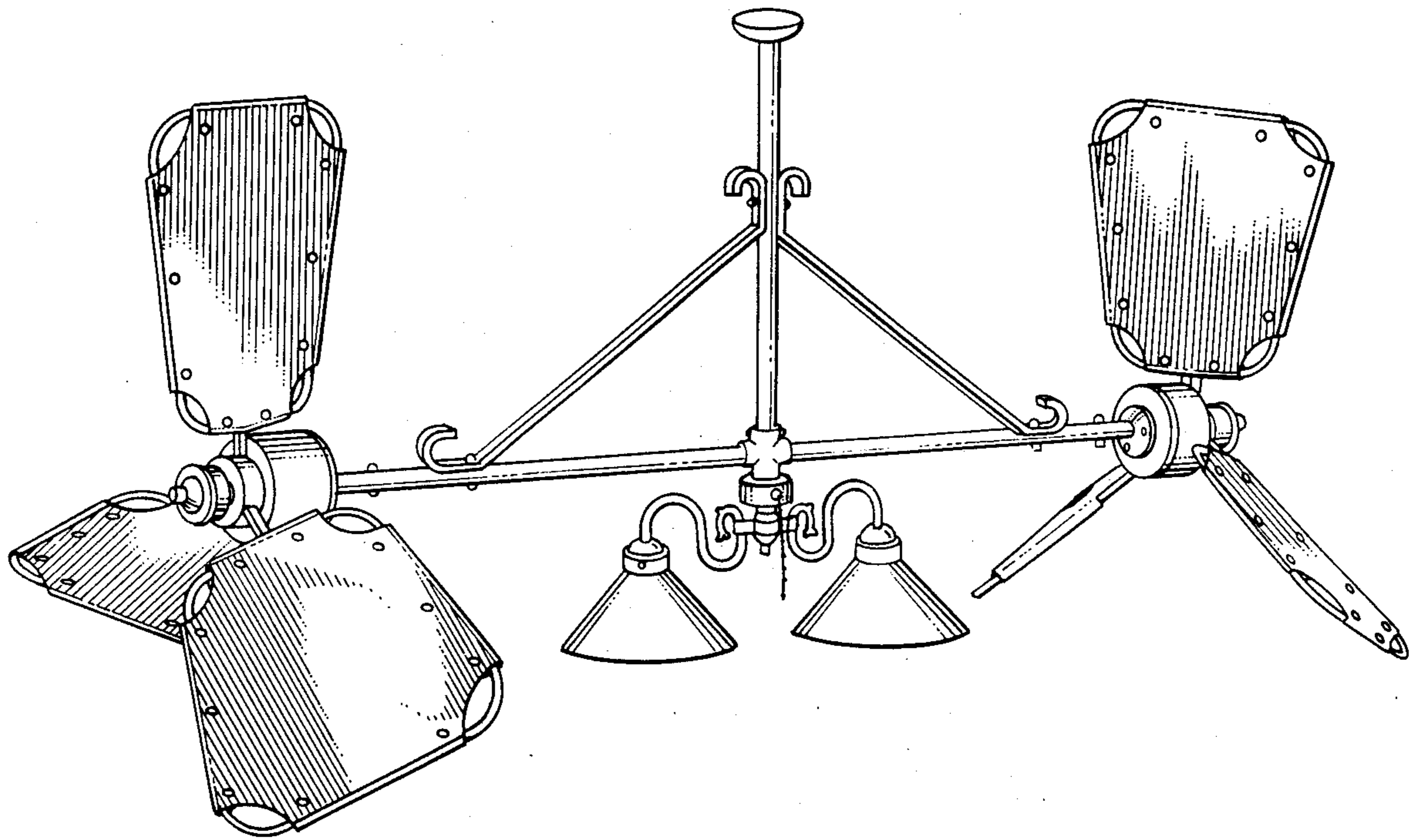


FIG. 1

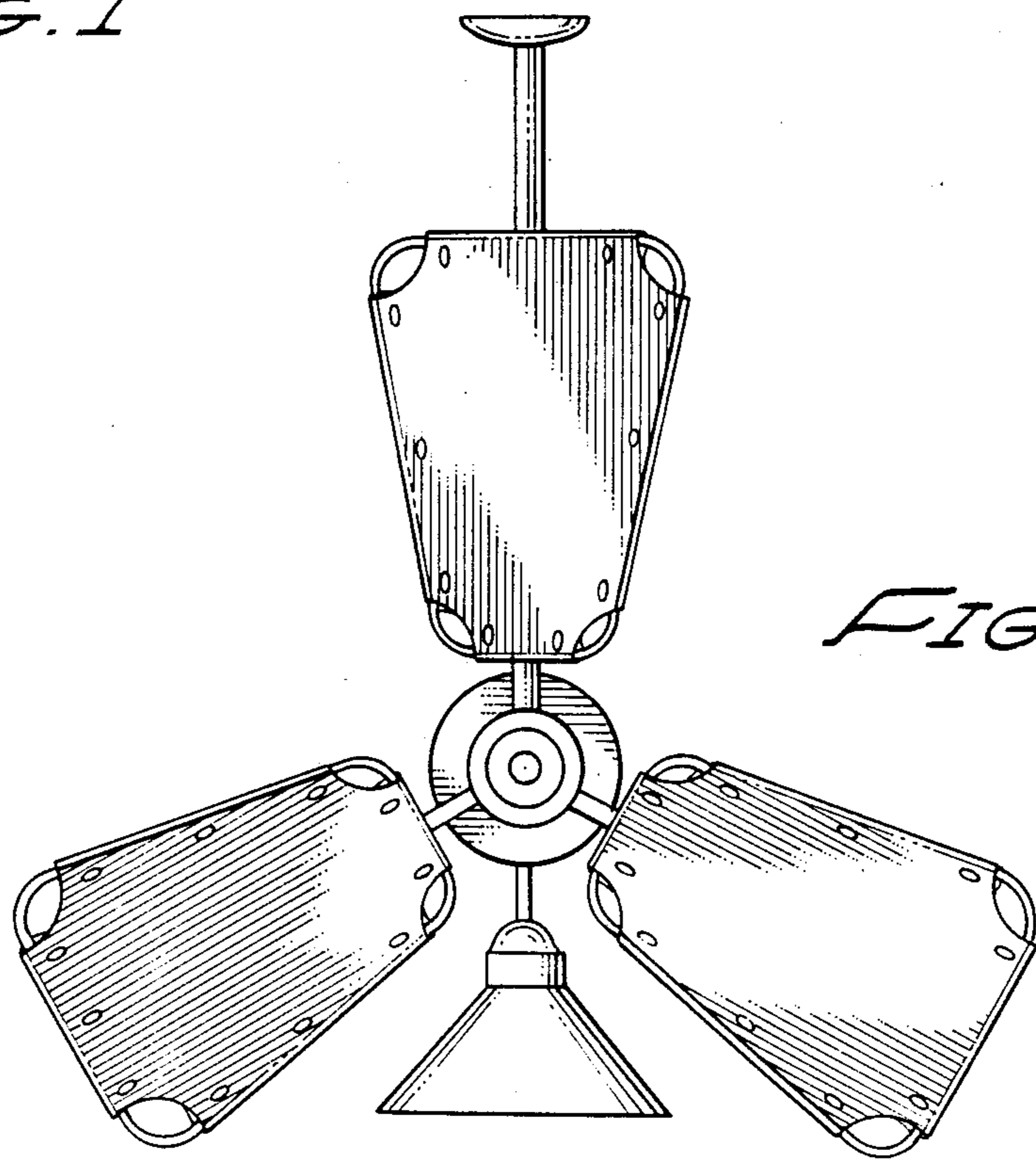


FIG. 2

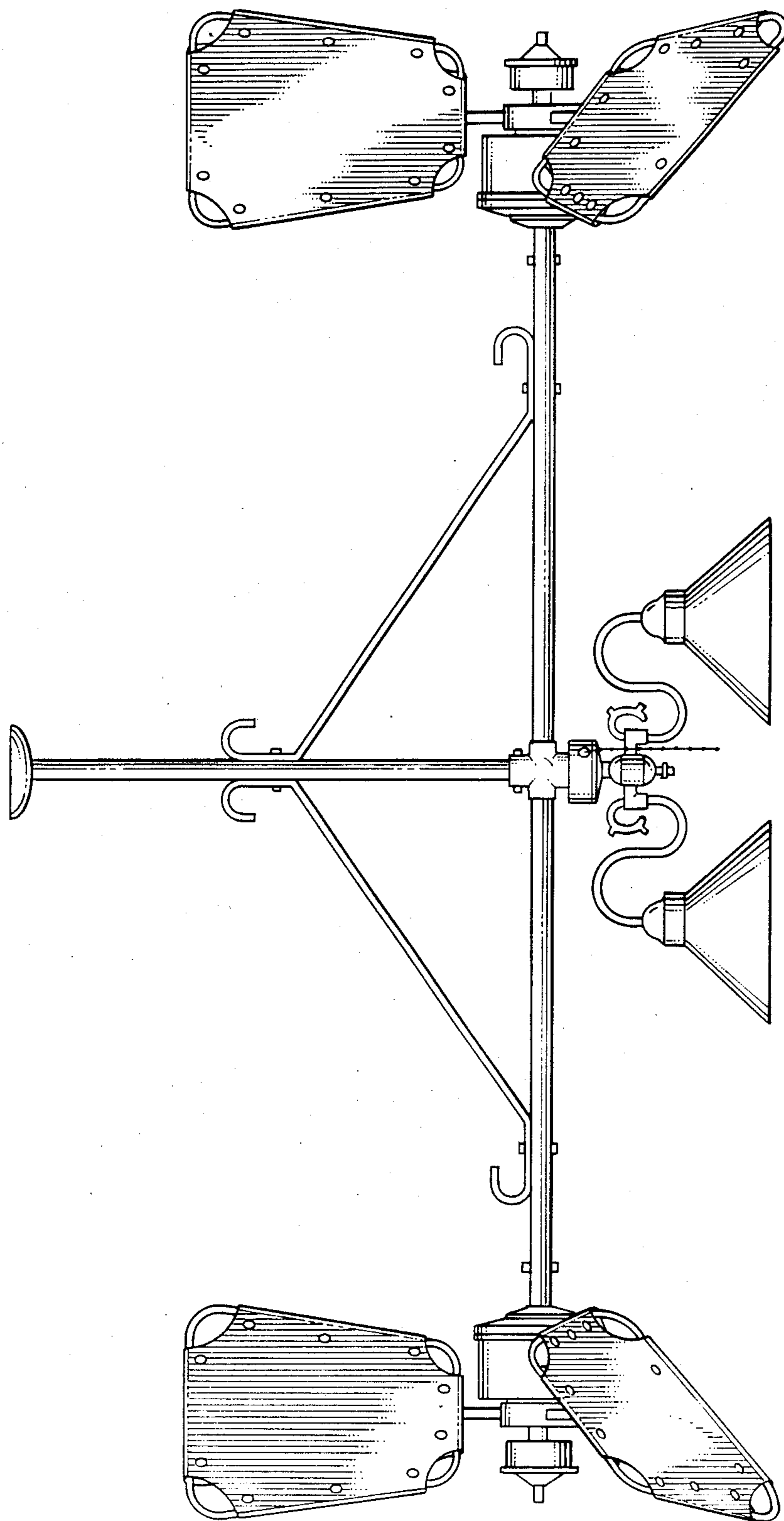


FIG. 3