

[54] **INFRA-RED HEATER**
 [75] **Inventor: Joseph A. McWilliams, Droitwich, United Kingdom**
 [73] **Assignee: Micropore International Ltd., Worcestershire, United Kingdom**
 [**] **Term: 14 Years**
 [21] **Appl. No.: 232,875**
 [22] **Filed: Aug. 16, 1988**

Related U.S. Application Data

[63] Continuation of Ser. No. 2,795, Dec. 29, 1986, Pat. No. 4,789,772.

Foreign Application Priority Data

Jun. 11, 1985 [GB] United Kingdom 8514785
 [52] **U.S. Cl. D23/314; D23/417**
 [58] **Field of Search D23/314, 332, 415, 417; 219/464, 465**

[56] **References Cited**

U.S. PATENT DOCUMENTS

2,614,200 10/1952 McNair 219/322
 2,681,973 6/1954 Macoicz 219/453
 2,734,983 2/1956 Krichton 219/464
 2,959,662 11/1960 Crowley 219/212
 4,535,221 8/1985 Holsworth 219/204

4,551,617 11/1985 Crossley et al. 219/464
 4,639,579 1/1987 Brooks et al. 219/464
 4,645,911 2/1987 Husslein 219/464
 4,665,307 5/1987 McWilliams 219/449
 4,700,051 10/1987 Goessler et al. 219/464
 4,868,371 9/1989 Crossley et al. 219/464

FOREIGN PATENT DOCUMENTS

0103741 3/1984 European Pat. Off. .
 0117346 9/1984 European Pat. Off. .
 0134090 3/1985 European Pat. Off. .
 1159109 12/1963 Fed. Rep. of Germany 219/464
 2731782 1/1979 Fed. Rep. of Germany 219/493
 2808181 9/1979 Fed. Rep. of Germany .
 499032 1/1920 France .
 2083327 3/1982 United Kingdom .

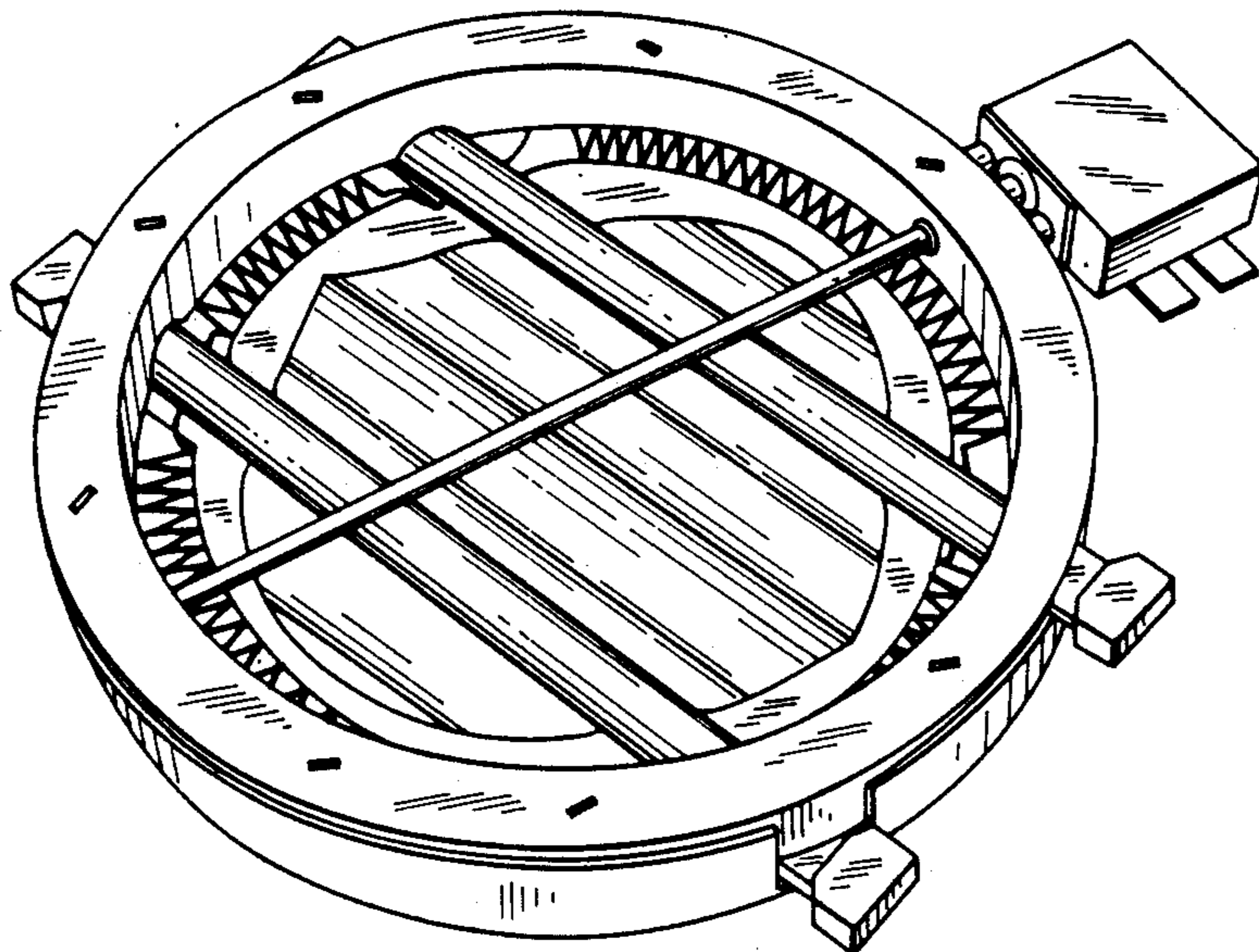
Primary Examiner—James M. Gandy
Assistant Examiner—Lisa Lichtenstein
Attorney, Agent, or Firm—Browdy and Neimark

[57] **CLAIM**

The ornamental design for an infra-red heater, as shown and described.

DESCRIPTION

FIG. 1 is a top perspective view of an infra-red heater showing my new design;
 FIG. 2 is a side elevation view thereof;
 FIG. 3 is a top plan view thereof;
 FIG. 4 is a front elevation view thereof; and
 FIG. 5 is a rear elevation view thereof.



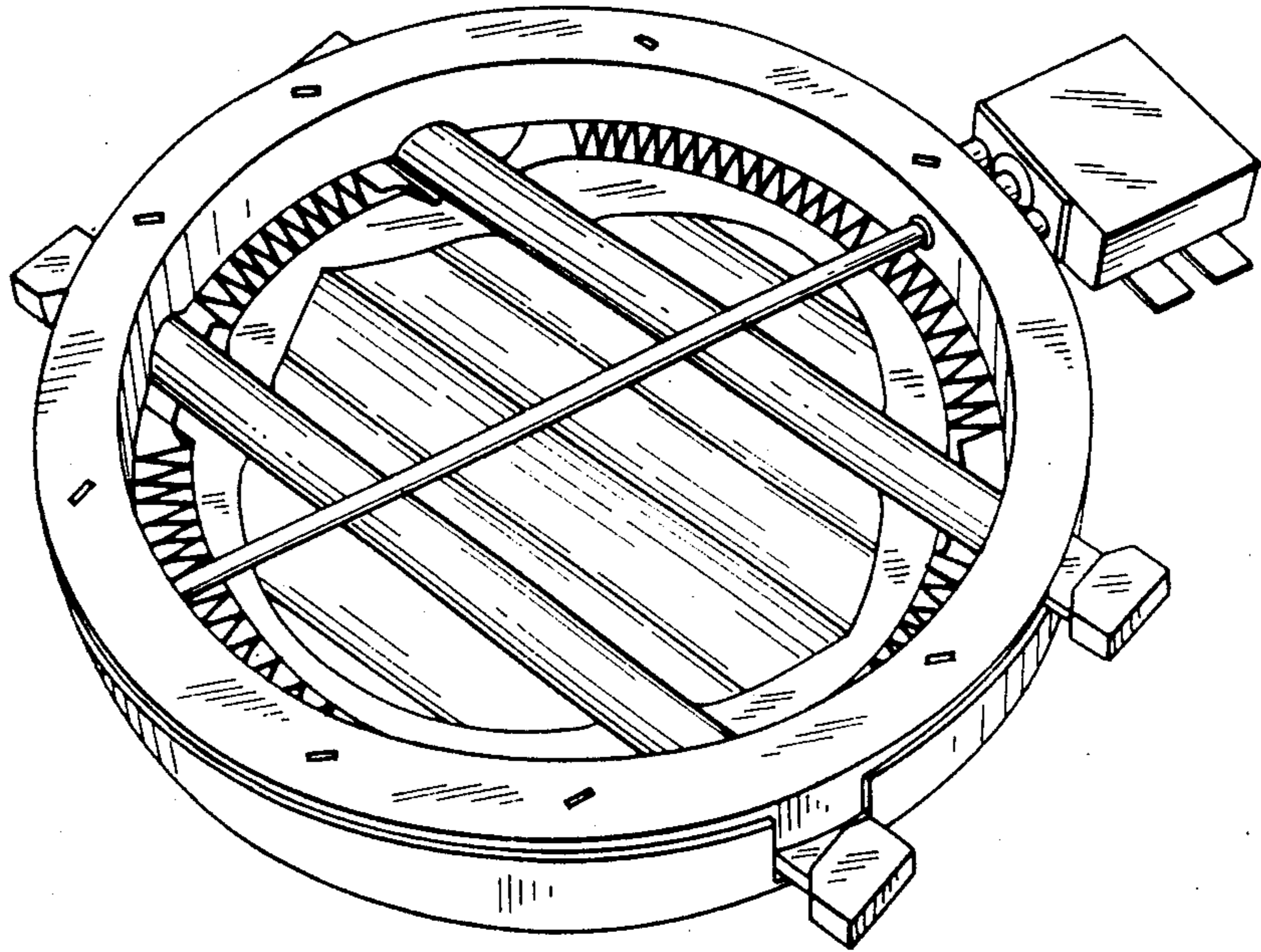


Fig. 1

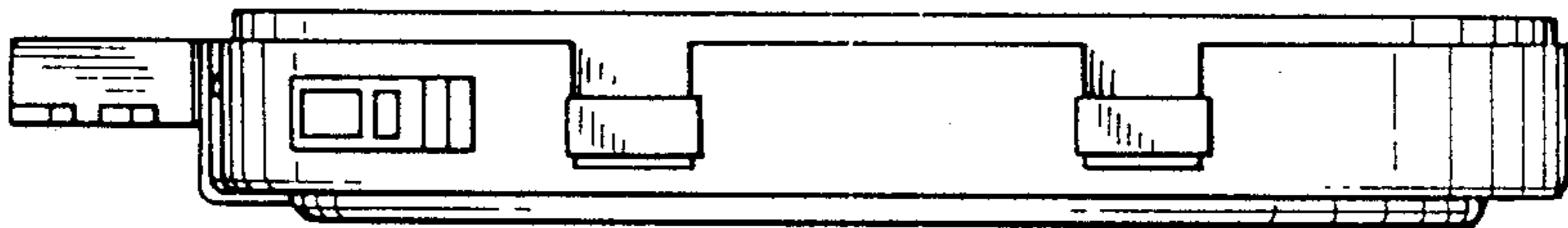


Fig. 2

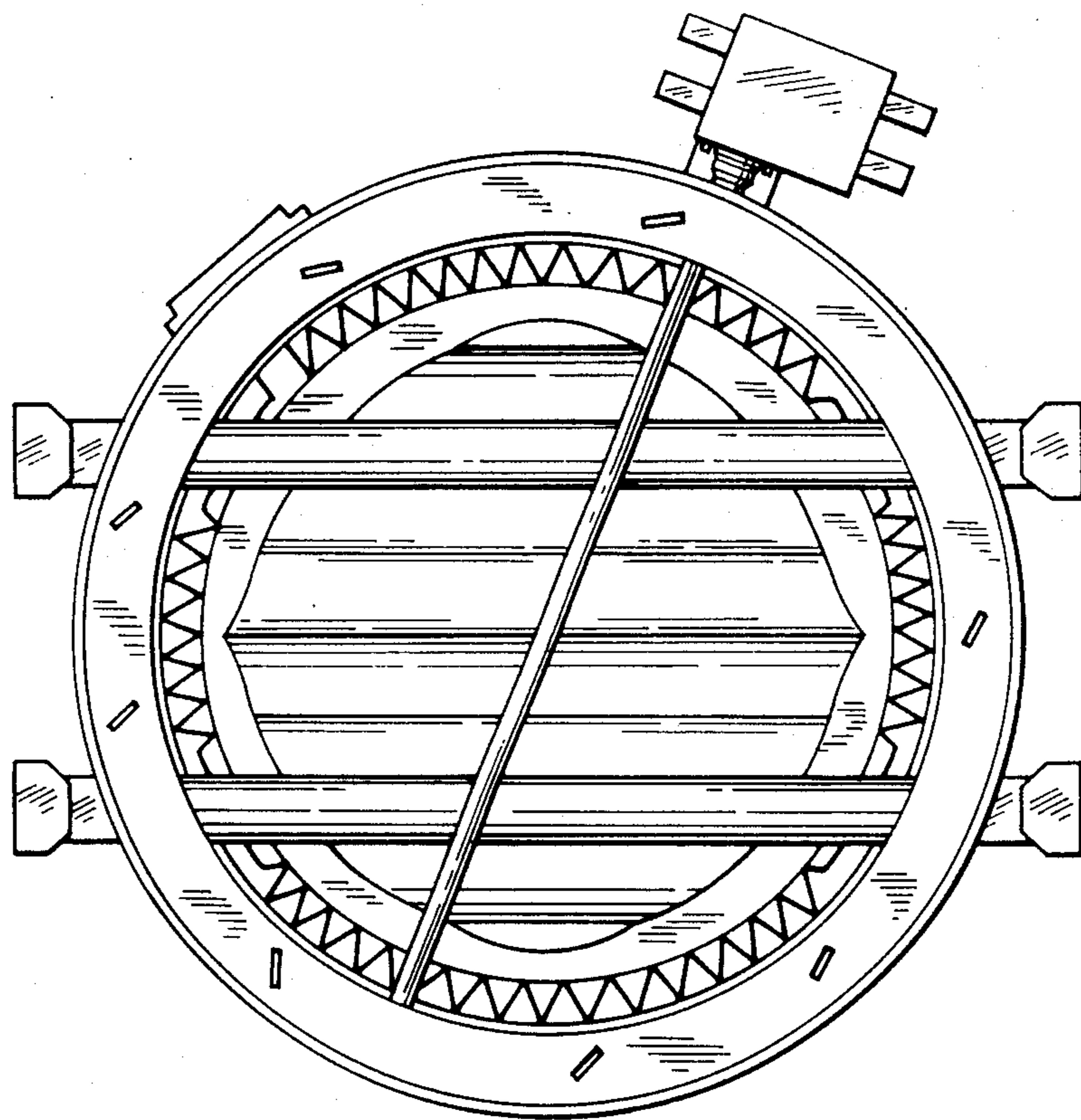


Fig. 3

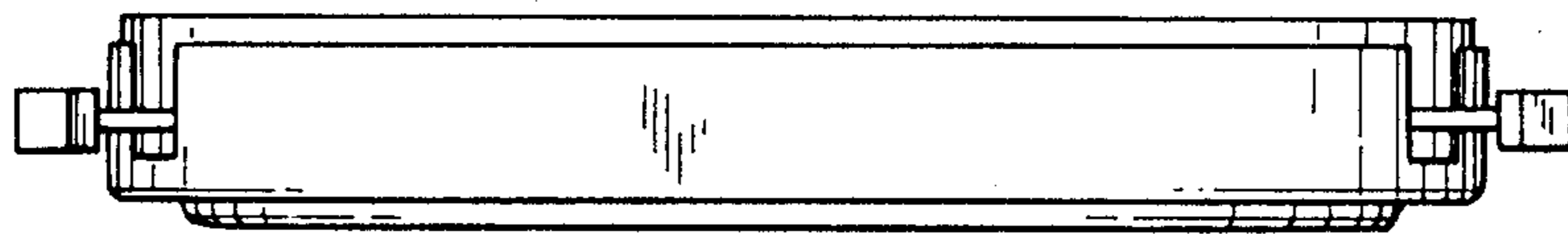


Fig. 4

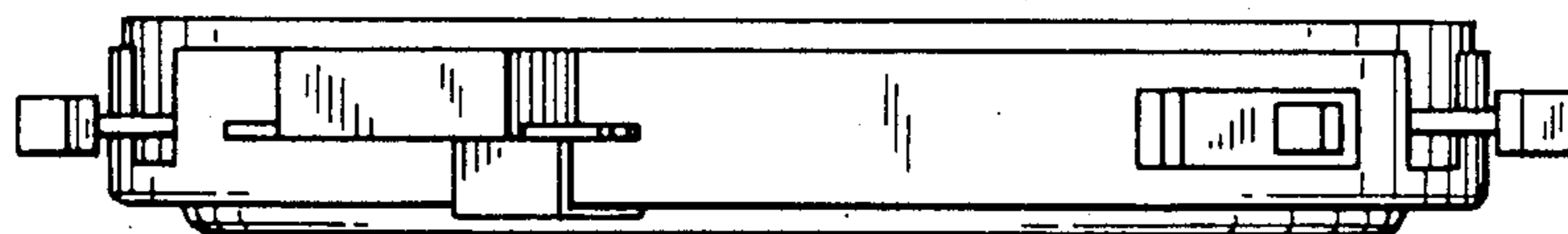


Fig. 5