

United States Patent [19]

Veillet

[11] Patent Number: **Des. 313,463**

[45] Date of Patent: **** Jan. 1, 1991**

[54] CONTROL HOUSING FOR A VALVE

[76] Inventor: **Gaston Veillet, 3977 St. Malo, Ste-Marthe du Cap, Quebec, Canada, G8T 7V7**

[**] Term: **14 Years**

[21] Appl. No.: **30,106**

[22] Filed: **Mar. 26, 1987**

[30] Foreign Application Priority Data

Mar. 2, 1987 [CA] Canada 020387
[52] U.S. Cl. **D23/233**
[58] Field of Search 251/68, 74;
D23/233-248

[56] References Cited

U.S. PATENT DOCUMENTS

D. 108,450	2/1938	Lavallee	D23/247
D. 111,349	9/1938	Lavallee	D23/247
D. 113,438	2/1939	Ray	D23/248
D. 142,771	11/1945	Chapman	D23/247
D. 182,297	3/1958	Marchant	D23/245
D. 188,747	8/1960	Bancroft	D23/248
D. 211,085	5/1968	Padula	D23/233
D. 232,085	7/1974	Benzing	D23/233
D. 246,908	1/1978	Fetty	D23/233
D. 266,863	11/1982	Mason	D23/233
D. 273,699	5/1984	Loup et al.	D23/248
D. 287,044	12/1986	Hughes	D23/248

859,745	7/1907	Cridge	251/68
866,825	9/1907	Summers et al.	251/68
883,029	3/1908	King	251/68
896,402	8/1908	Locke	251/68
2,333,370	11/1943	Graham	251/68
2,638,106	5/1953	Shiels	251/68
2,875,617	3/1959	Murphy	251/68
3,030,063	4/1962	Seaberg et al.	251/74
4,379,544	4/1983	Angelo et al.	251/74
4,659,063	4/1987	Veillette	251/68

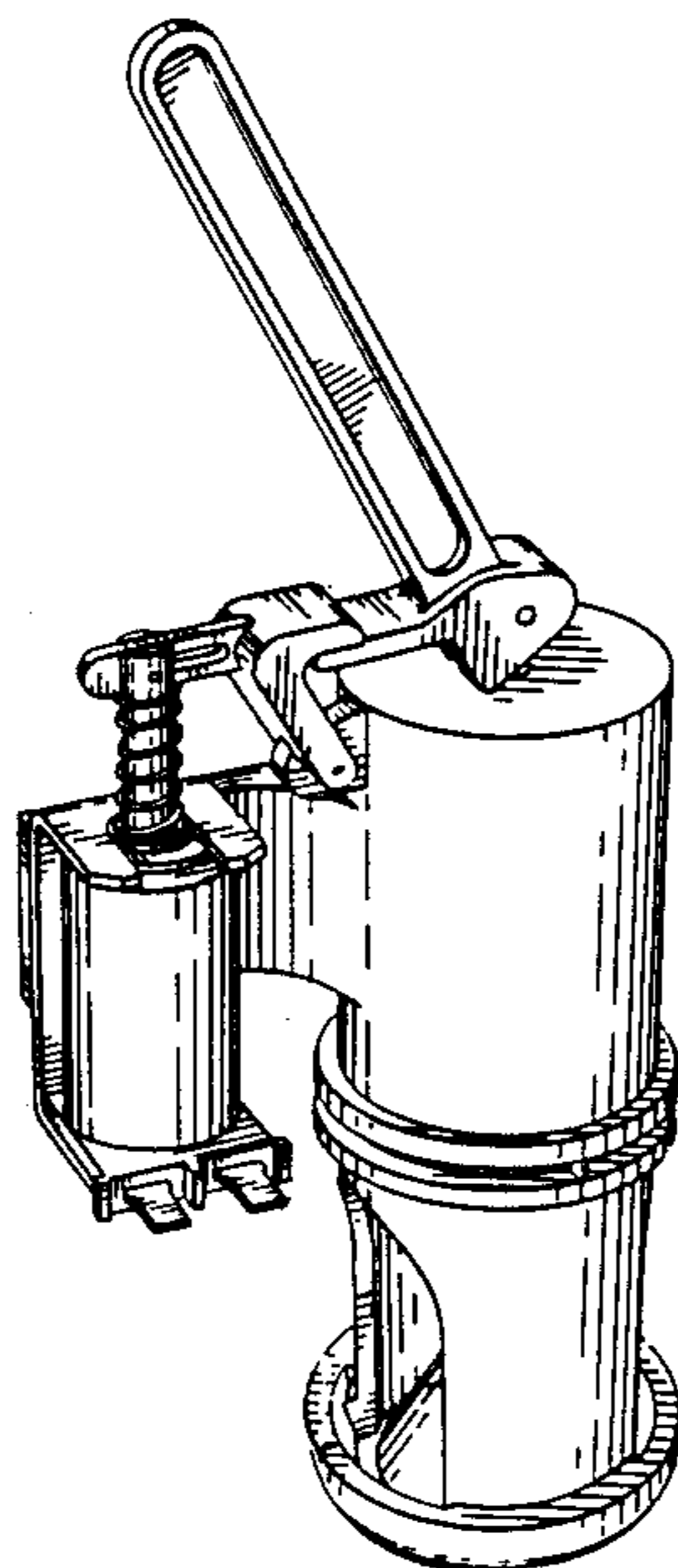
Primary Examiner—James R. Largen
Assistant Examiner—Demetrius Reynolds
Attorney, Agent, or Firm—Samuel Meerkreebs

[57] CLAIM

The ornamental design for a control housing for a valve, as shown and described.

DESCRIPTION

FIG. 1 is a perspective view taken from the top, front and right side of a control housing for a valve showing my new design;
FIG. 2 is a right side elevational view thereof;
FIG. 3 is a left side elevational view thereof;
FIG. 4 is a front elevation thereof;
FIG. 5 is a rear elevation thereof;
FIG. 6 is a front elevational view thereof; and
FIG. 7 is a rear elevational view thereof.
The broken lines representation of a valve in FIGS. 3 and 4 is for purposes of illustration only and forms no part of the claimed design.



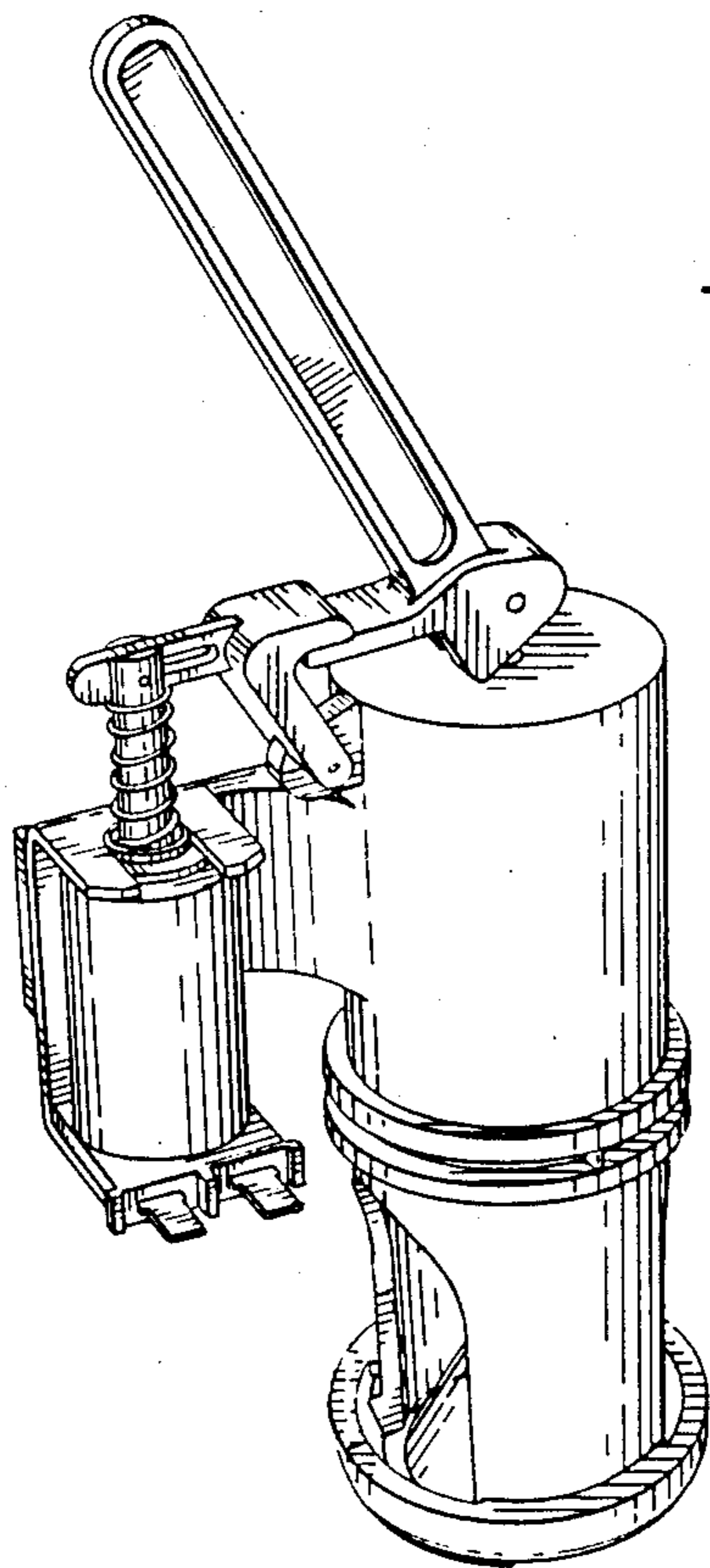


FIG. 1

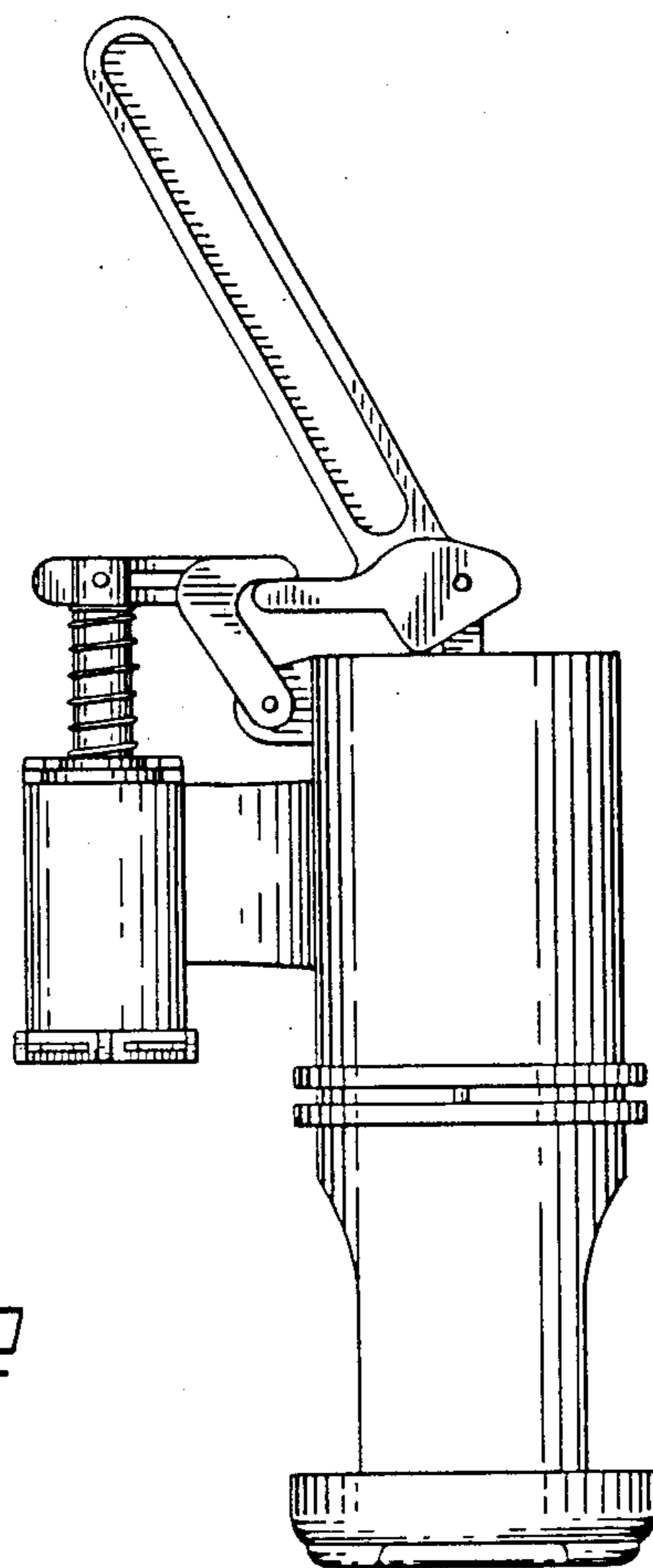


FIG. 2

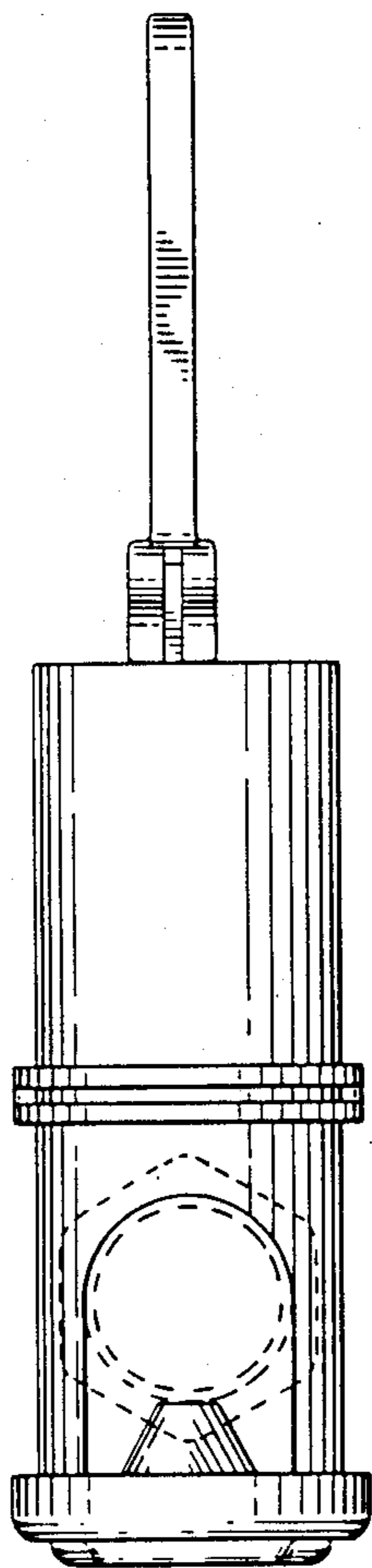
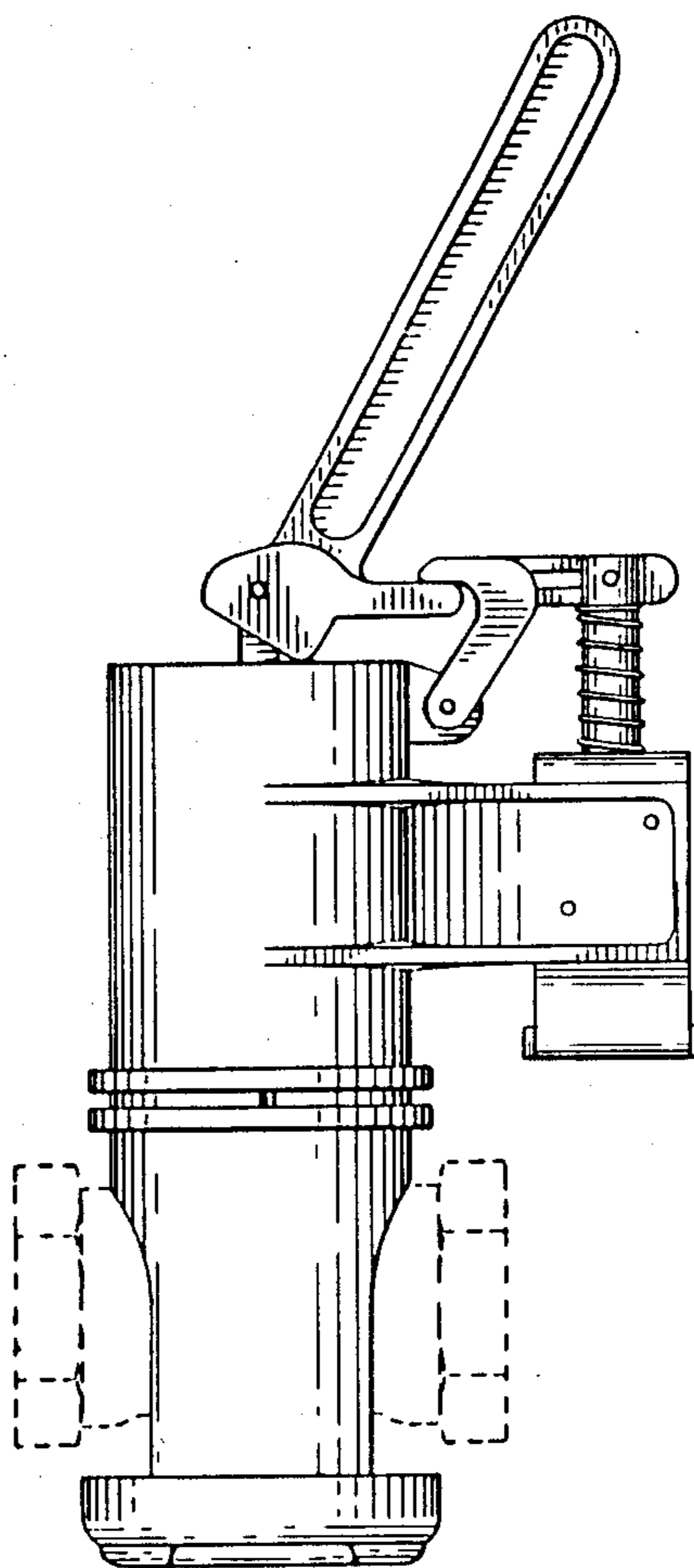


FIG. 3

FIG. 4



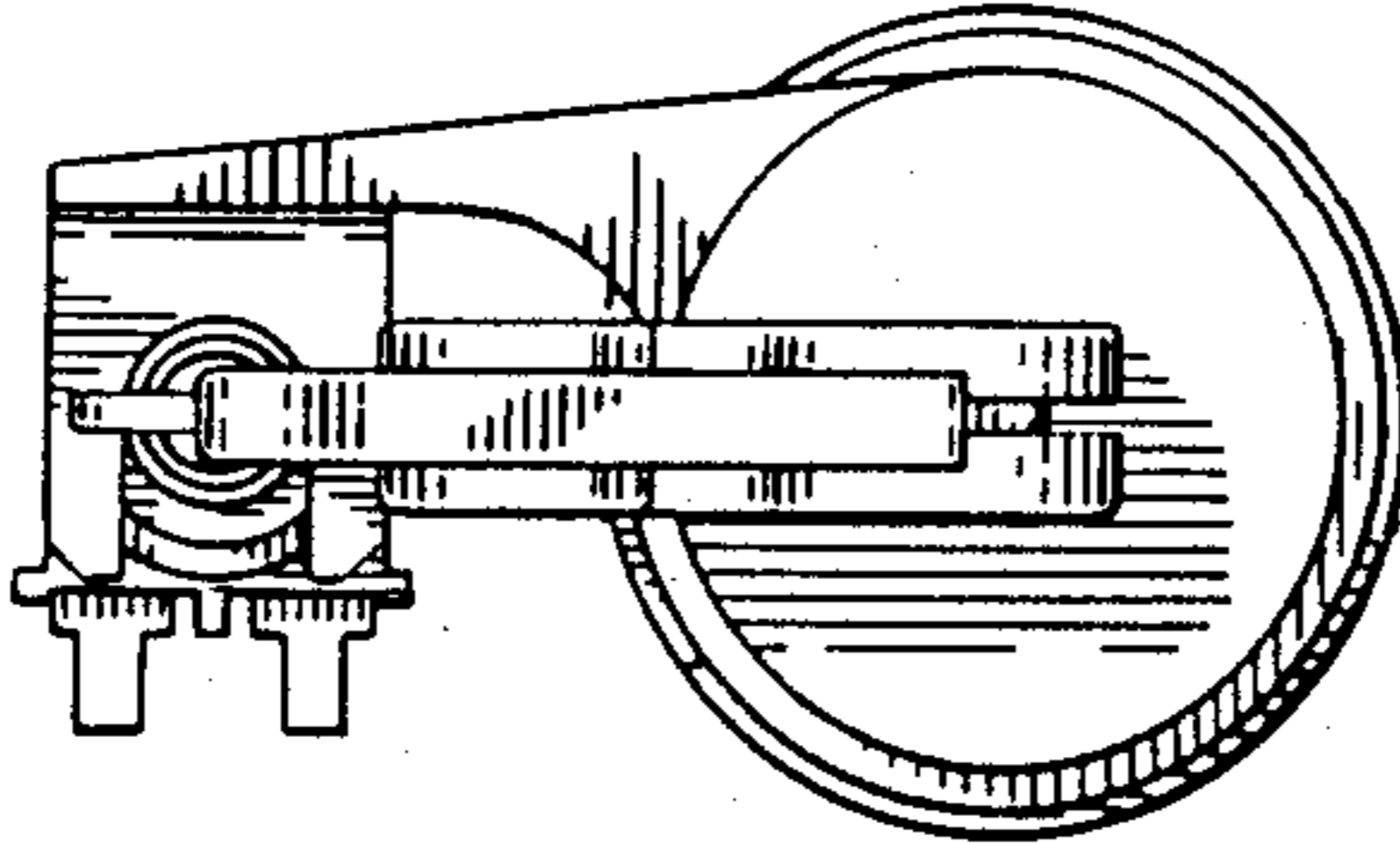


FIG. 6

FIG. 5

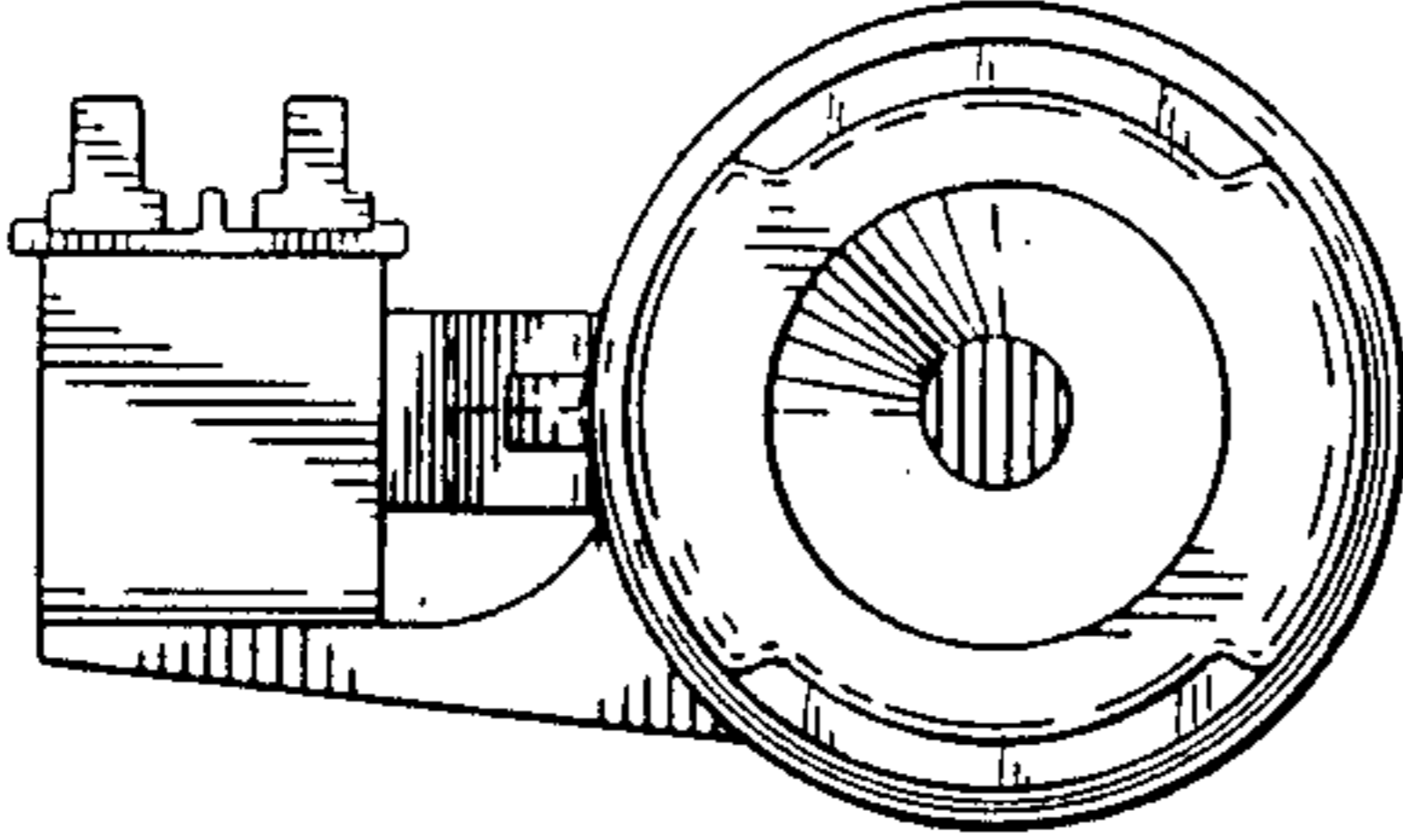
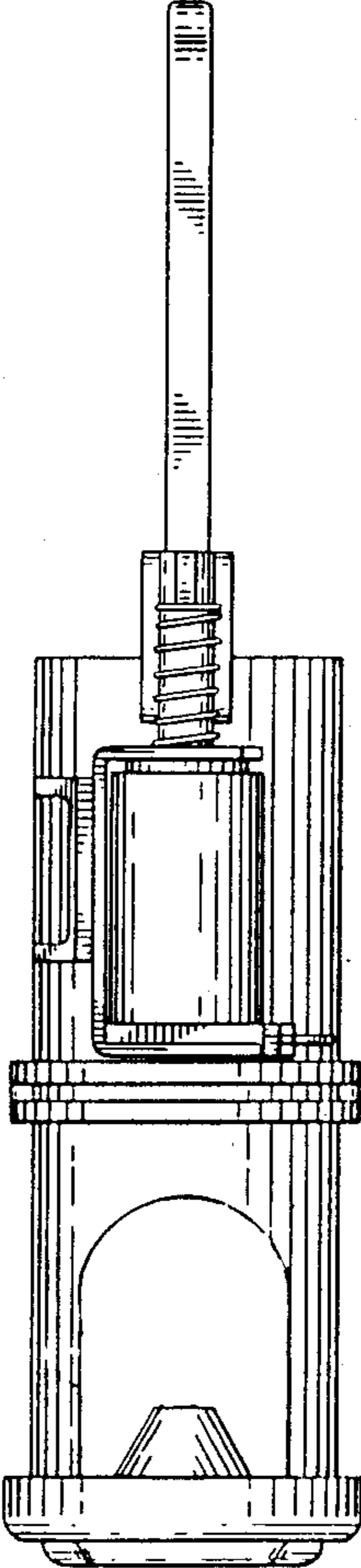


FIG. 7