

- [54] **COMBINED PAINT CONTAINER AND ATTACHMENT THEREFOR**
- [75] **Inventors: Richard S. Hart, Elgin; Jeffrey D. Bransky, Clarendon, both of Ill.**
- [73] **Assignee: E. I. du Pont de Nemours and Company, Wilmington, Del.**
- [**] **Term: 14 Years**
- [21] **Appl. No.: 290,912**
- [22] **Filed: Dec. 28, 1988**
- [52] **U.S. Cl. D23/225; D9/428; D32/53.1**
- [58] **Field of Search D7/601-603, D7/605, 607, 608, 612, 615; D9/349, 352-353, 355-356, 389, 396, 398-399, 401-405, 407, 410, 424-429, 434-436, 448-449, 452-454; D23/223-227; D32/53, 53.1, 54; 220/72, 74, 83-84, 85 R, 86 R, 94 A, 200, 404, 904, DIG. 14; 239/119, 215, 302, 305, 318, DIG. 14**

[56] **References Cited**

U.S. PATENT DOCUMENTS

D. 240,114	6/1976	Martinelli	D9/425 X
D. 269,315	6/1983	Conti	D9/404 X
D. 286,508	11/1986	Tilden	D9/435
D. 287,469	12/1986	Weinberger	D9/435
1,865,736	7/1932	Astley	220/85 R X
2,051,518	8/1936	Cunningham	239/302 X
2,228,861	1/1941	Wegener	239/302

2,625,433	1/1953	Vose	239/119
2,873,052	2/1959	Atherton	D9/449 X
3,136,486	6/1964	Docken	239/346
3,227,305	1/1966	Enssle	220/63
3,593,921	7/1971	Beltic	239/318
3,714,967	2/1973	Zupan et al.	137/588
4,151,929	5/1979	Sapien	220/404
4,405,088	9/1983	Gray	239/302
4,431,326	2/1984	Braithwaite et al.	401/188 R
4,457,642	7/1984	Braithwaite et al.	401/188 R
4,537,334	8/1985	Spengler et al.	222/401
4,552,477	11/1985	Braithwaite et al.	401/188 R

FOREIGN PATENT DOCUMENTS

418970	2/1967	Switzerland	220/85 R
--------	--------	-------------------	----------

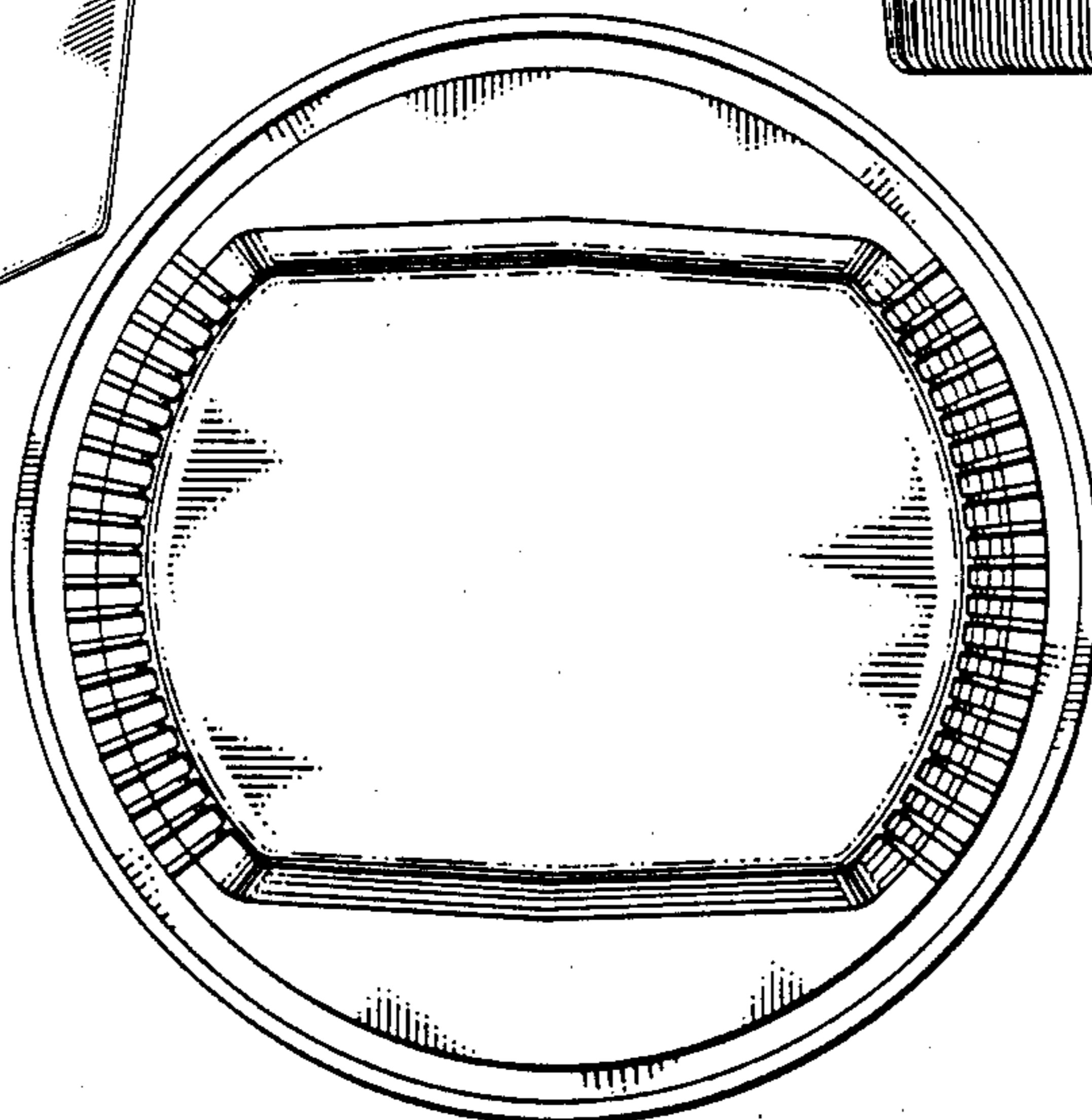
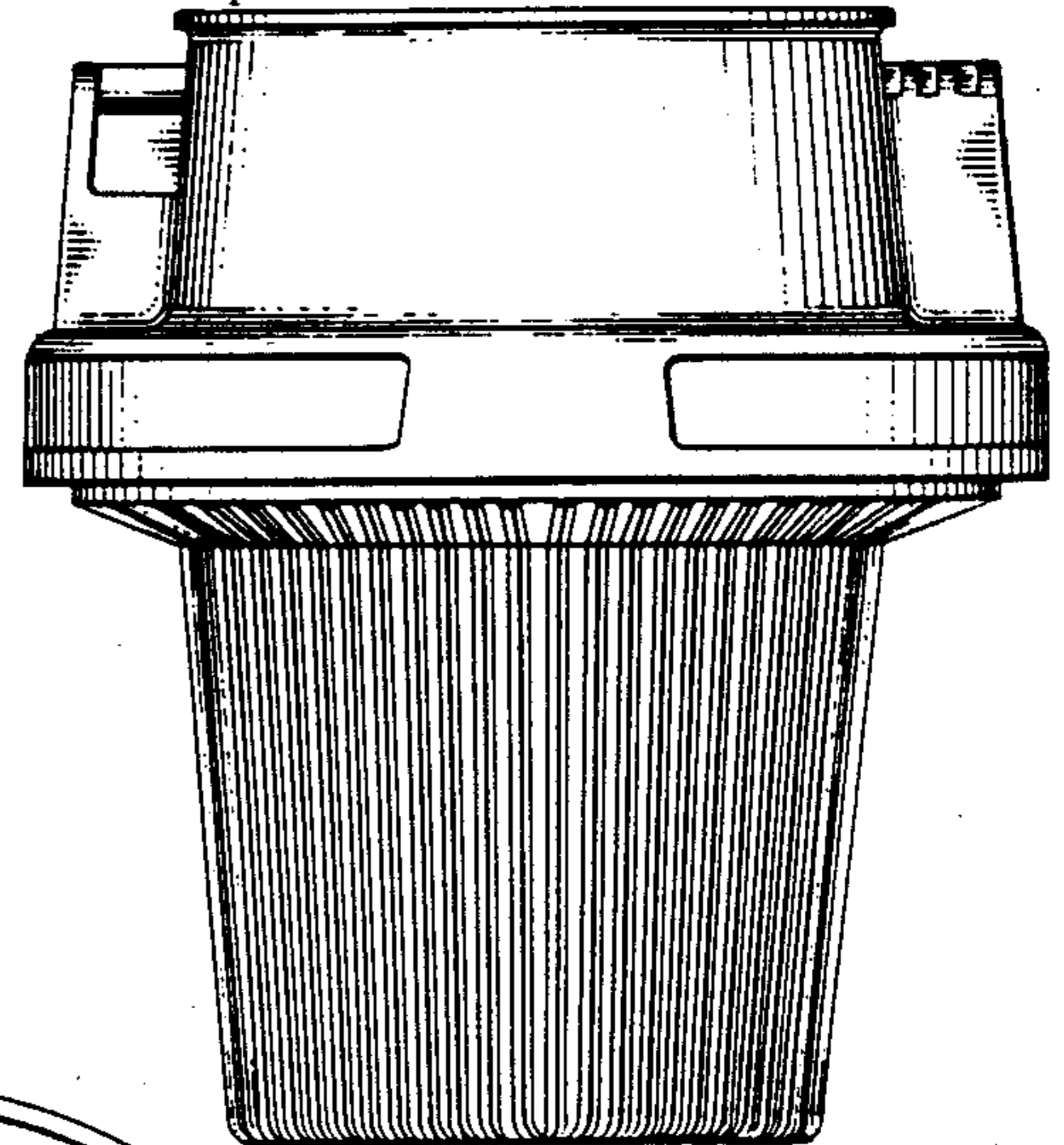
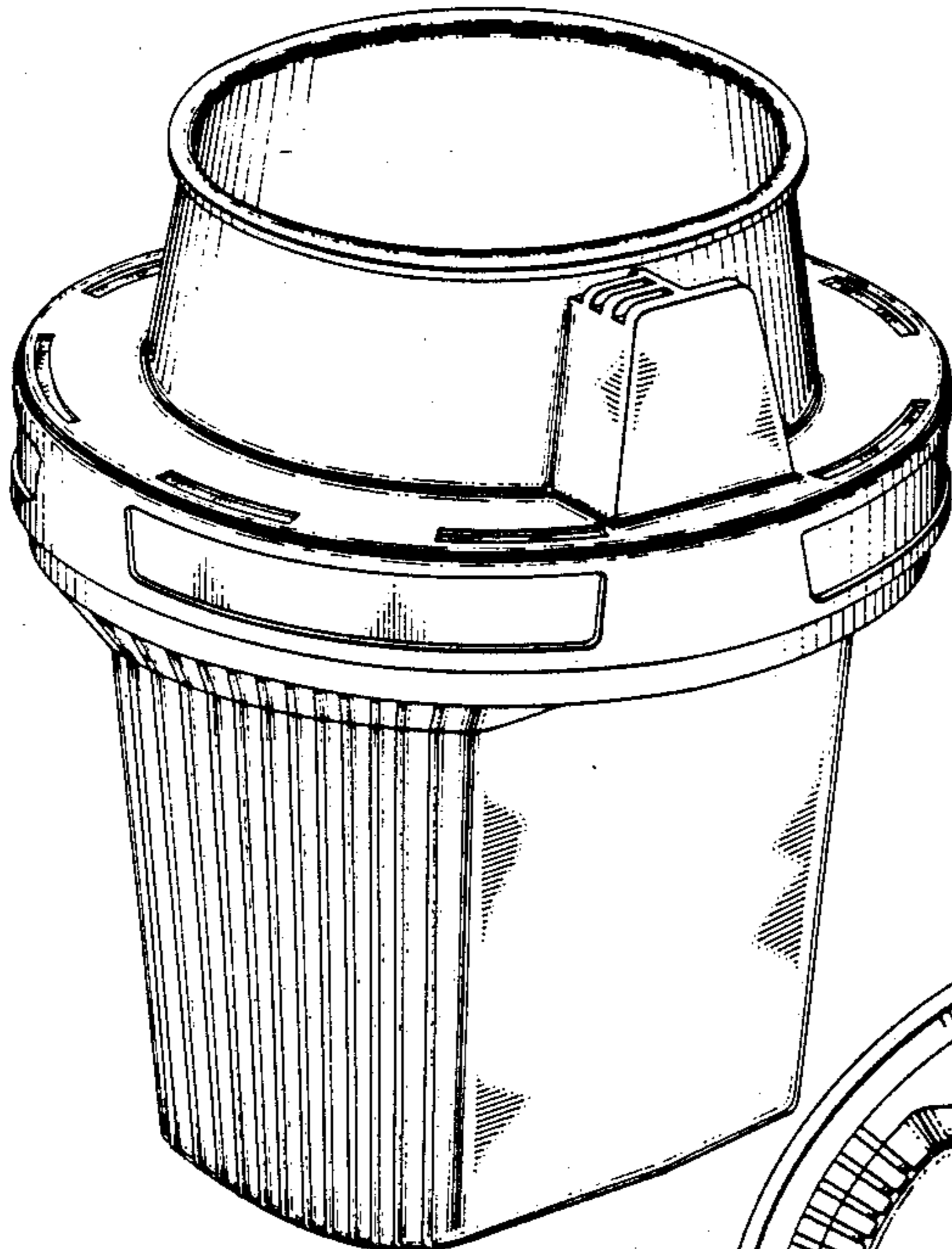
Primary Examiner—Wallace R. Burke
Assistant Examiner—Lavone D. Tabor
Attorney, Agent, or Firm—Hilmar L. Fricke

[57] **CLAIM**

The ornamental design for a combined paint container and attachment therefor, as shown and described.

DESCRIPTION

FIG. 1 is a perspective view of a combined paint container and attachment therefor showing our new design; FIG. 2 is a top plan view thereof; FIG. 3 is a side elevational view, the opposite side being a mirror image thereof; FIG. 4 is a front elevational view, the rear being a mirror image thereof; and FIG. 5 is a bottom plan view thereof.



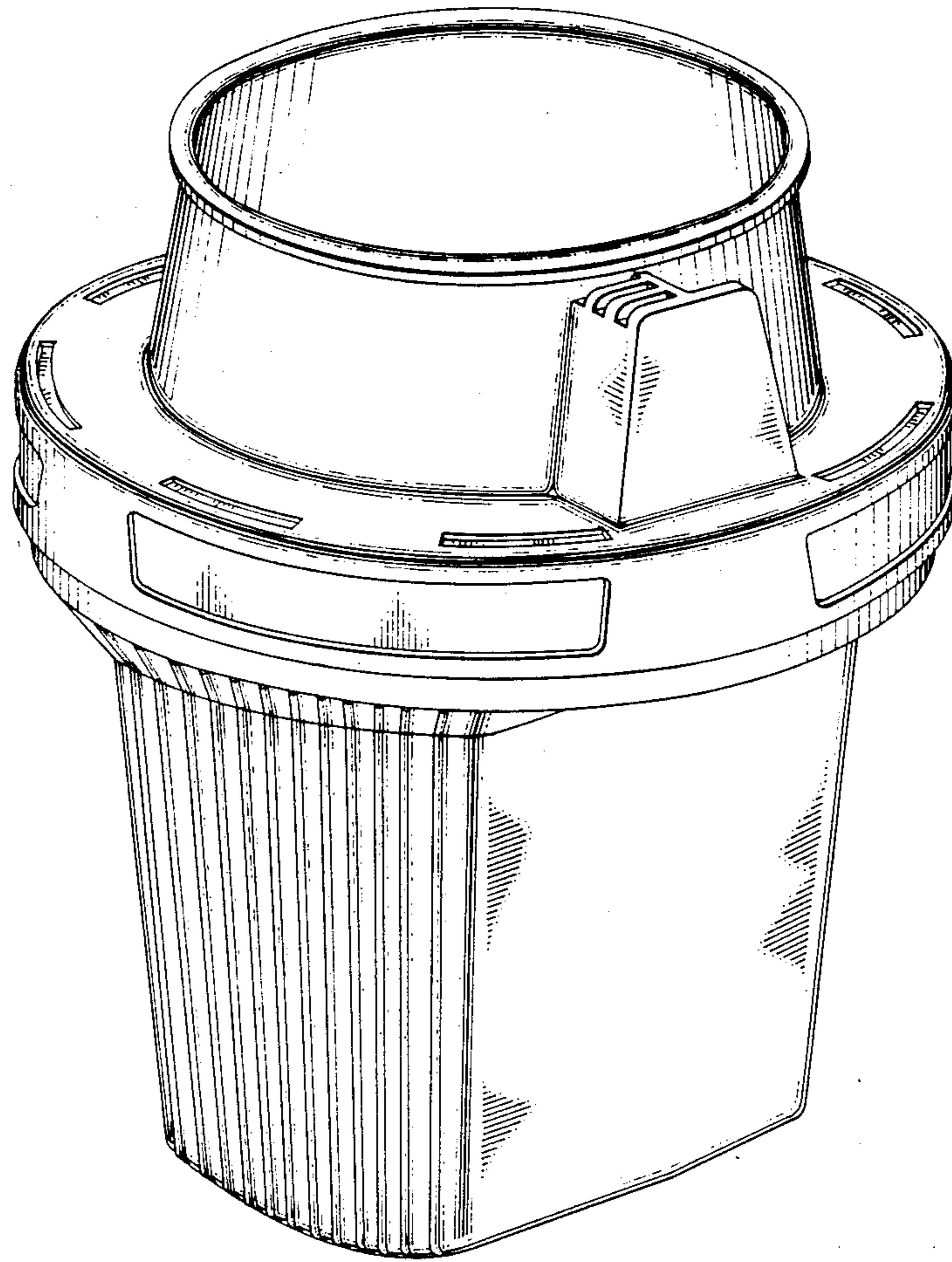


FIG. 1

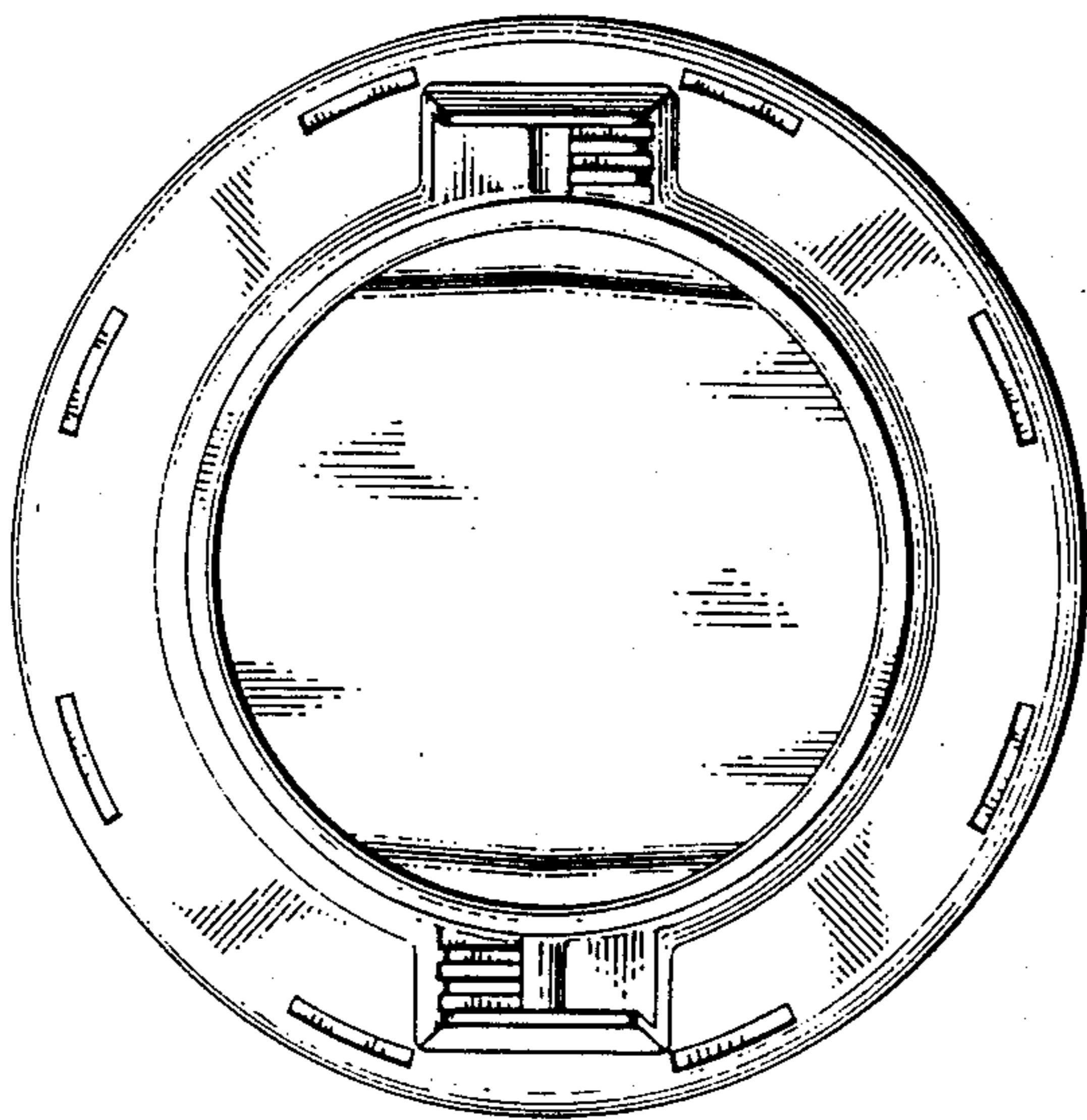


FIG. 2

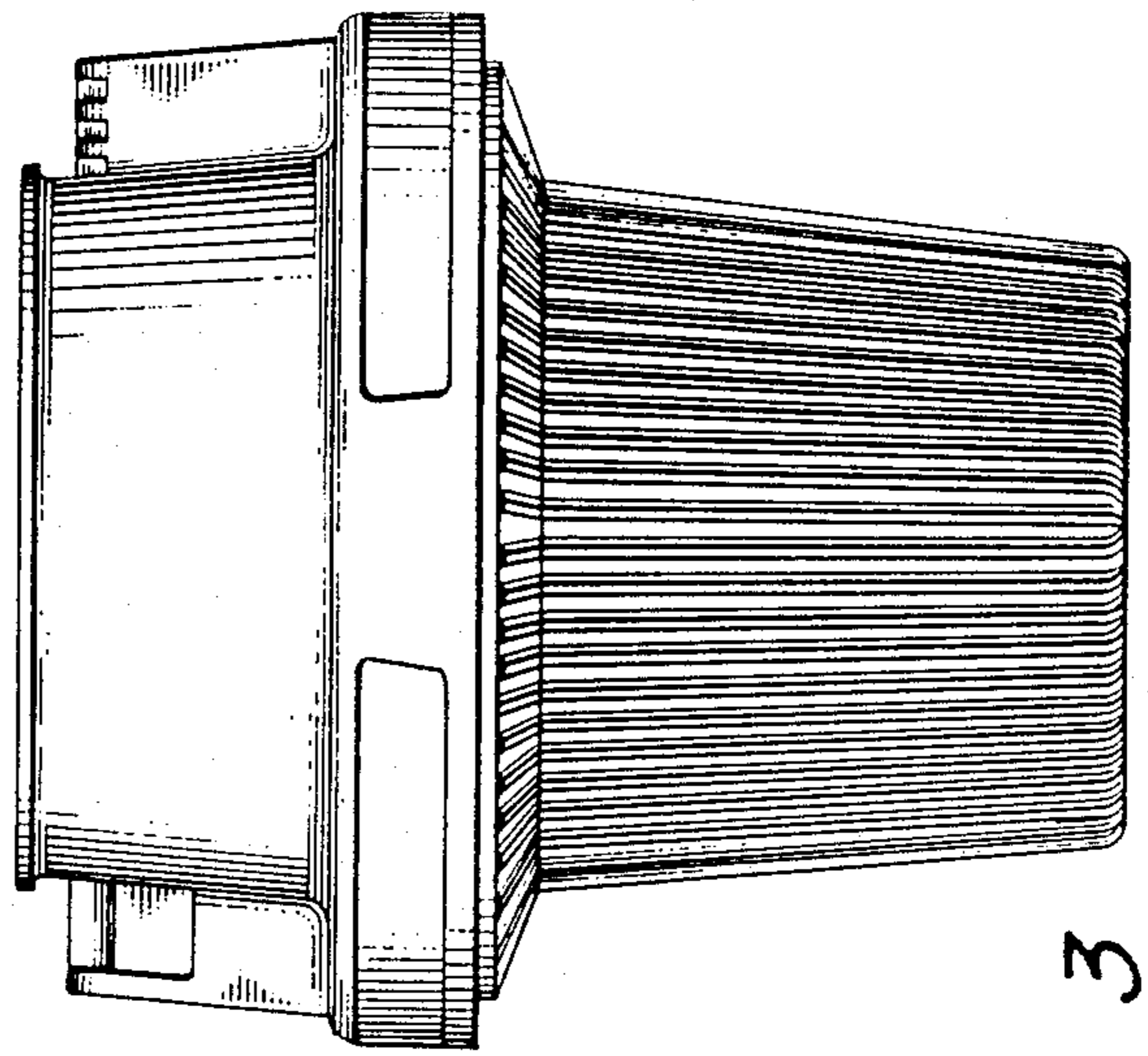


FIG. 3

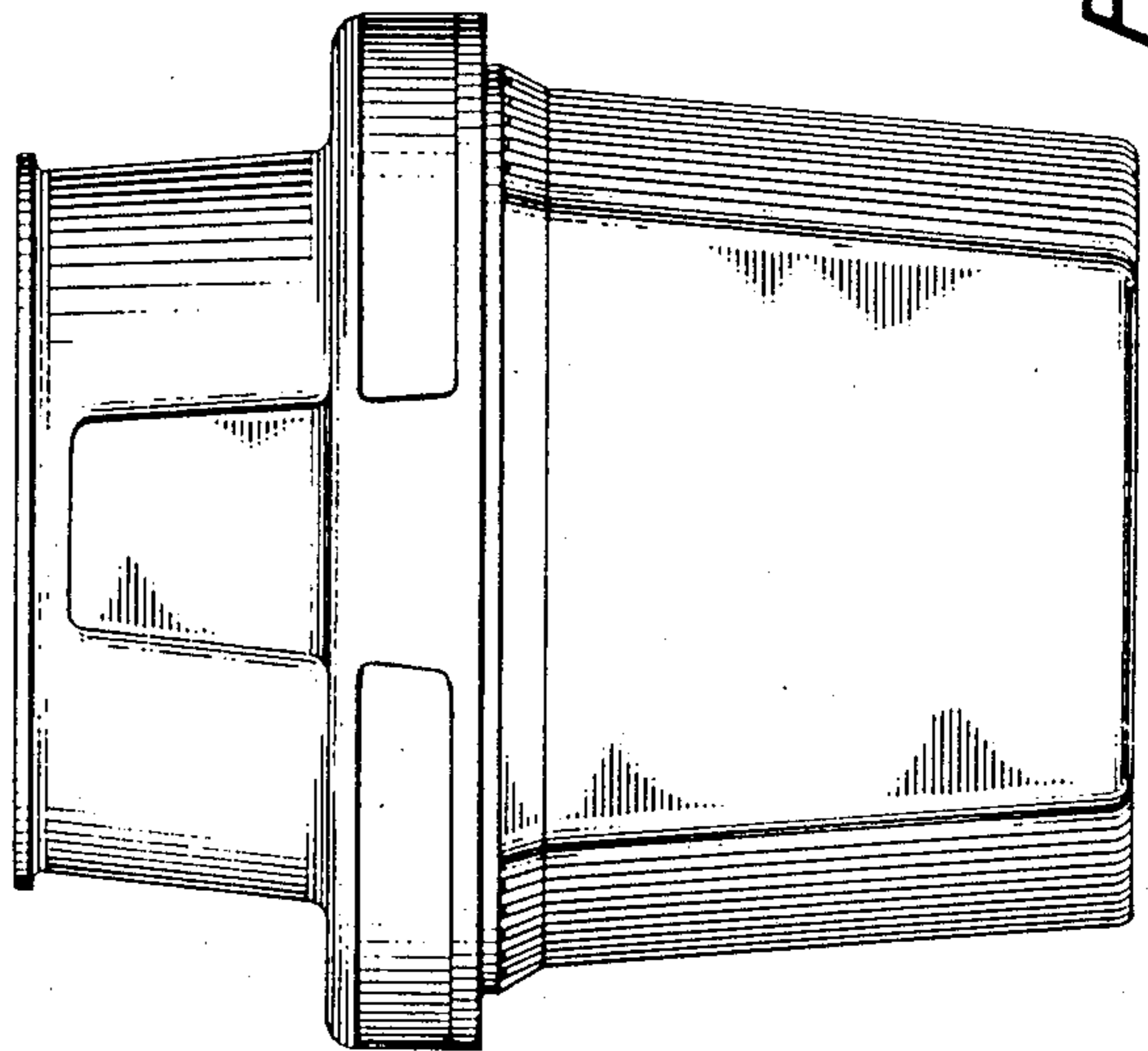


FIG. 4

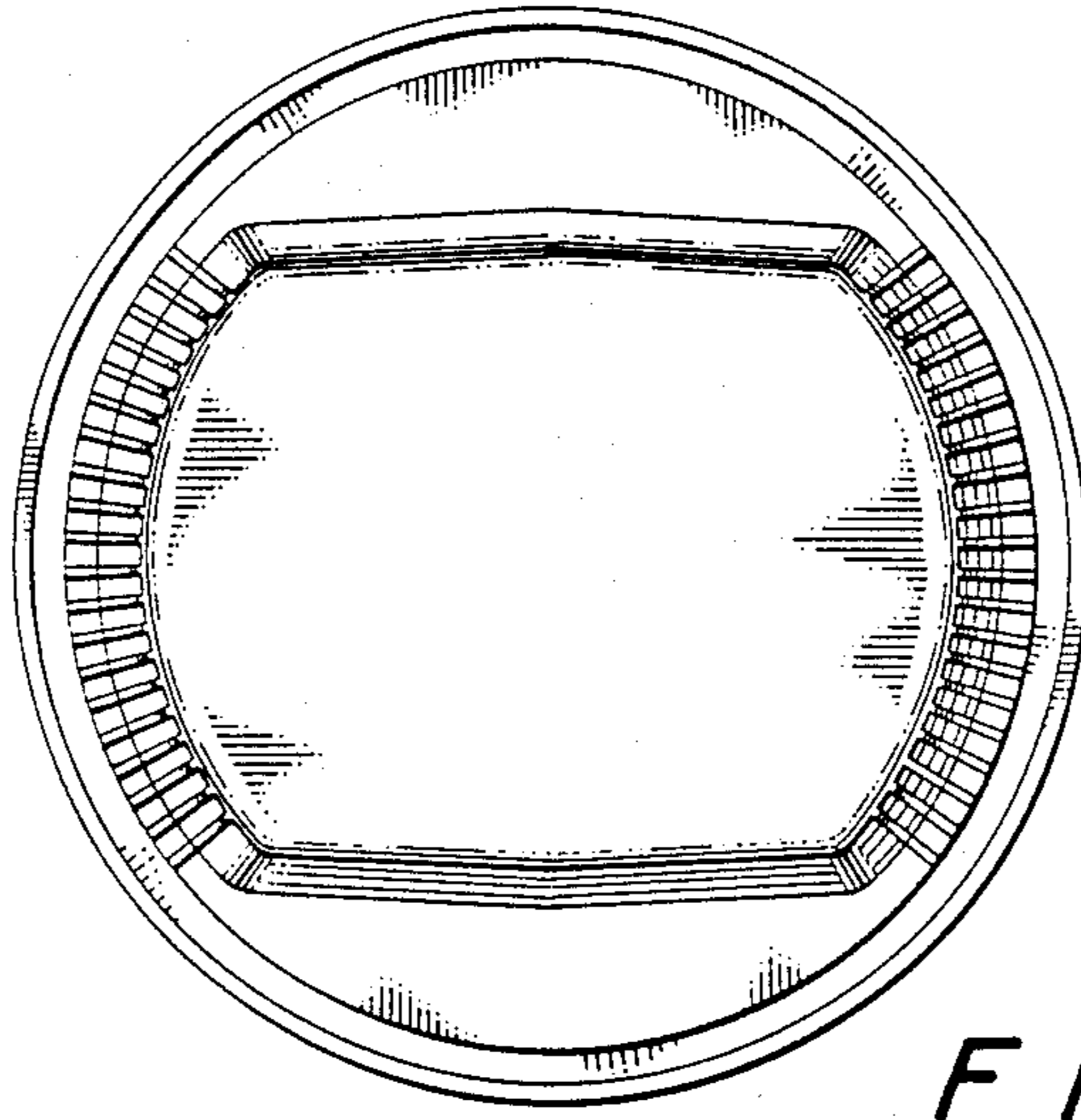


FIG. 5