

[54] **PUTTER HEAD**

[76] **Inventor: William B. Shearer, 2905 W. Main St., Muncie, Ind. 47305**

[\*\*] **Term: 14 Years**

[21] **Appl. No.: 9,902**

[22] **Filed: Feb. 2, 1987**

[52] **U.S. Cl. .... D21/219**

[58] **Field of Search ..... D21/214-220;  
273/164, 167-175, 77, 78**

[56] **References Cited  
PUBLICATIONS**

Golf World, 3/21/86, p. 5, putter.  
Golf Digest, Jul. 1984, p. 82, bottom center, The Inertial Putter.  
Golf Magazine, 3/85, p. 81, upper left, Beauwood put-  
ter.

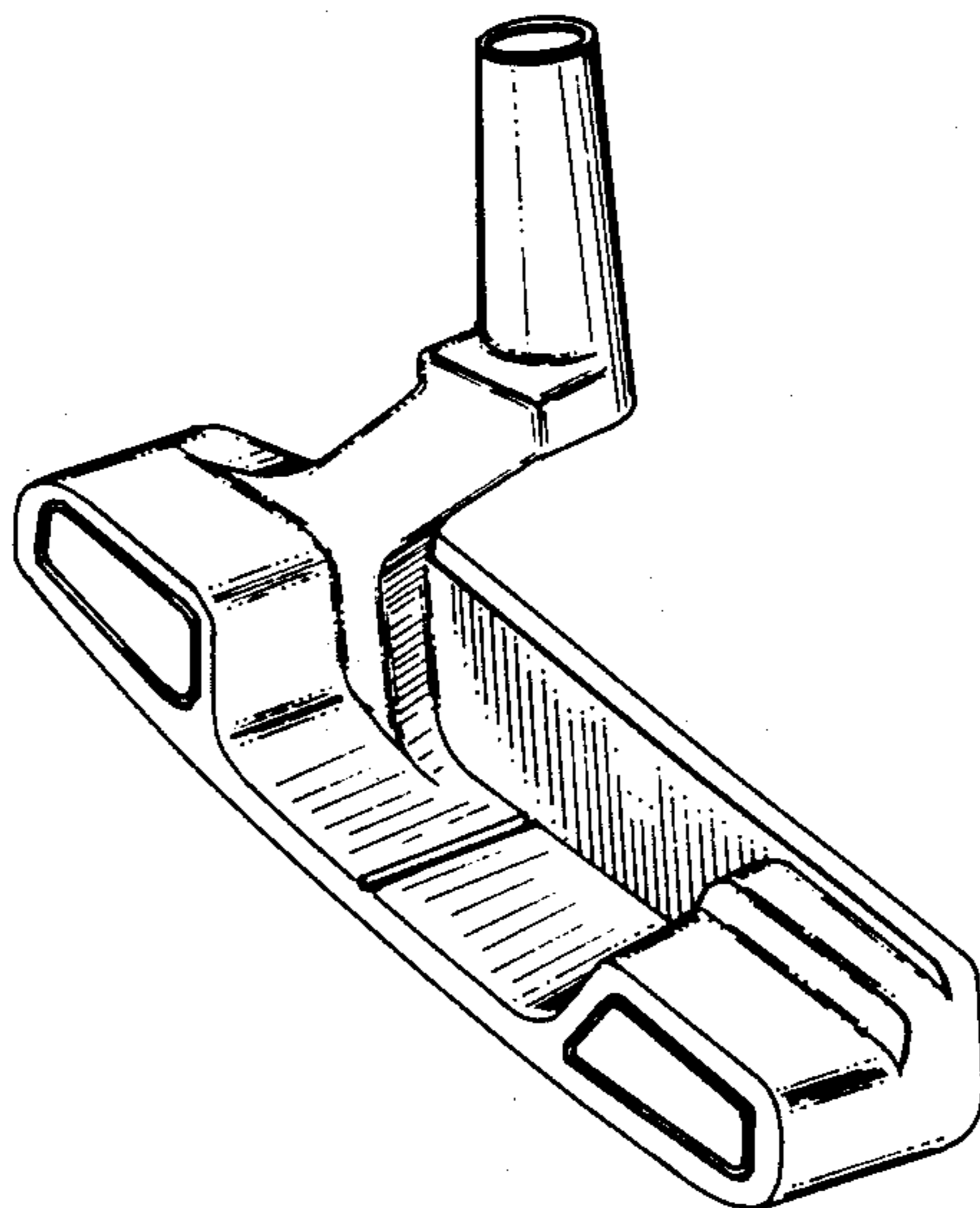
*Primary Examiner*—Melvin B. Feifer

[57] **CLAIM**

The ornamental design for a putter head, as shown.

**DESCRIPTION**

FIG. 1 is a right side view of a putter head showing my new design;  
FIG. 2 is a left side view of the putter head;  
FIG. 3 is a top view of the putter head as shown in FIG. 1;  
FIG. 4 is a bottom view of the putter head as shown in FIG. 1;  
FIG. 5 is a left end view of the putter head as shown in FIG. 1;  
FIG. 6 is a right end view of the putter head as shown in FIG. 1; and  
FIG. 7 is a perspective view of the putter head showing my new design.



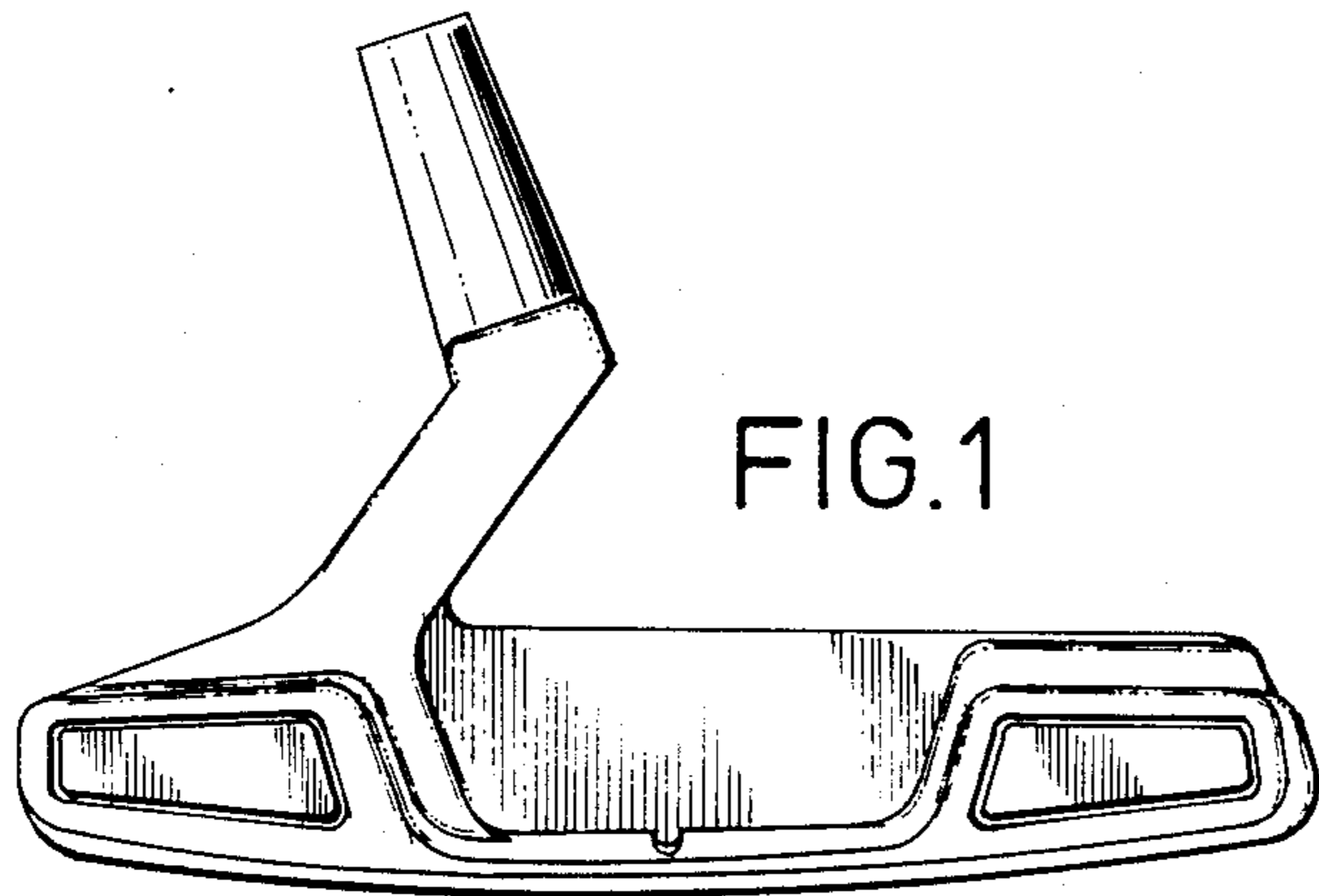


FIG. 1

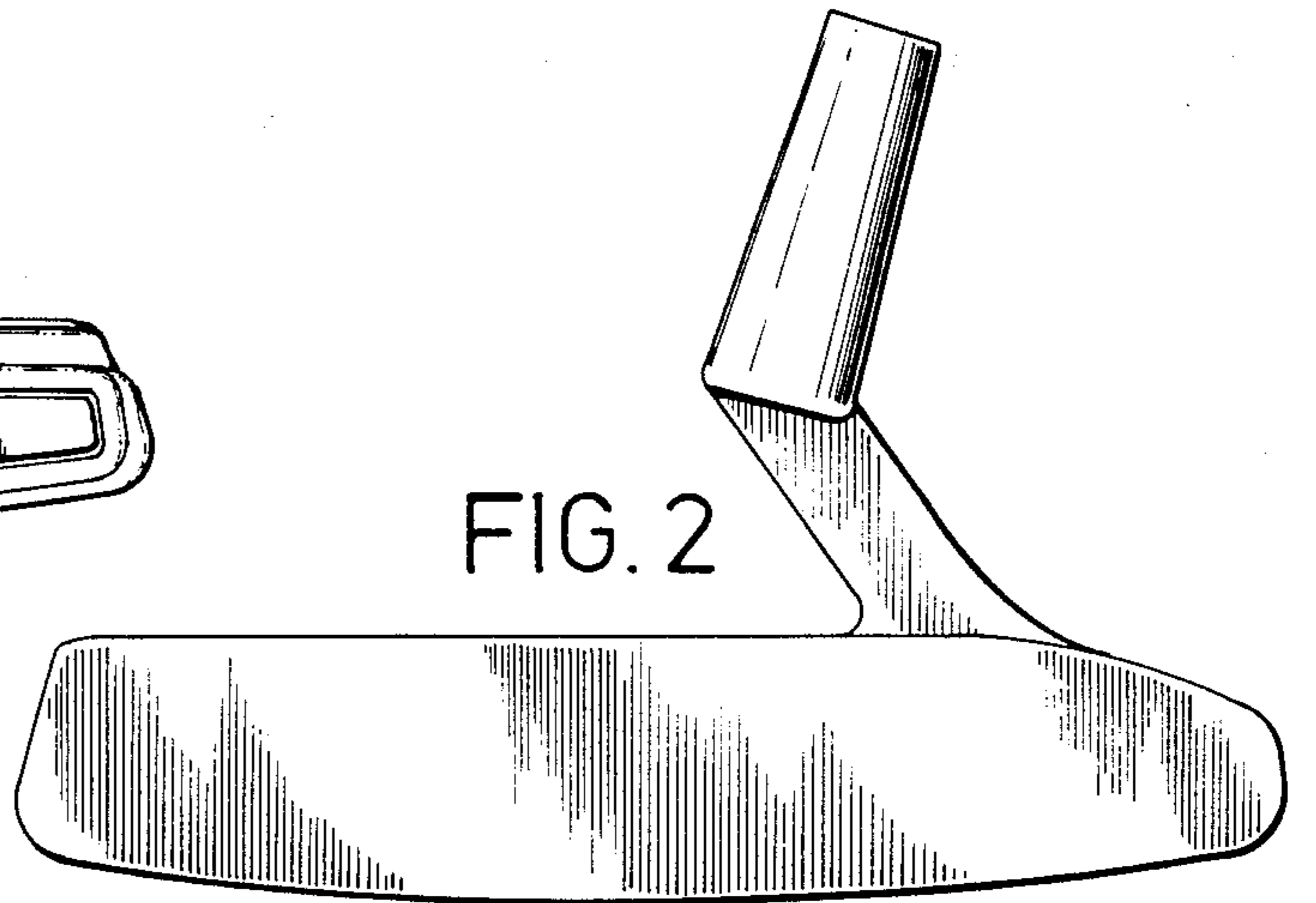


FIG. 2

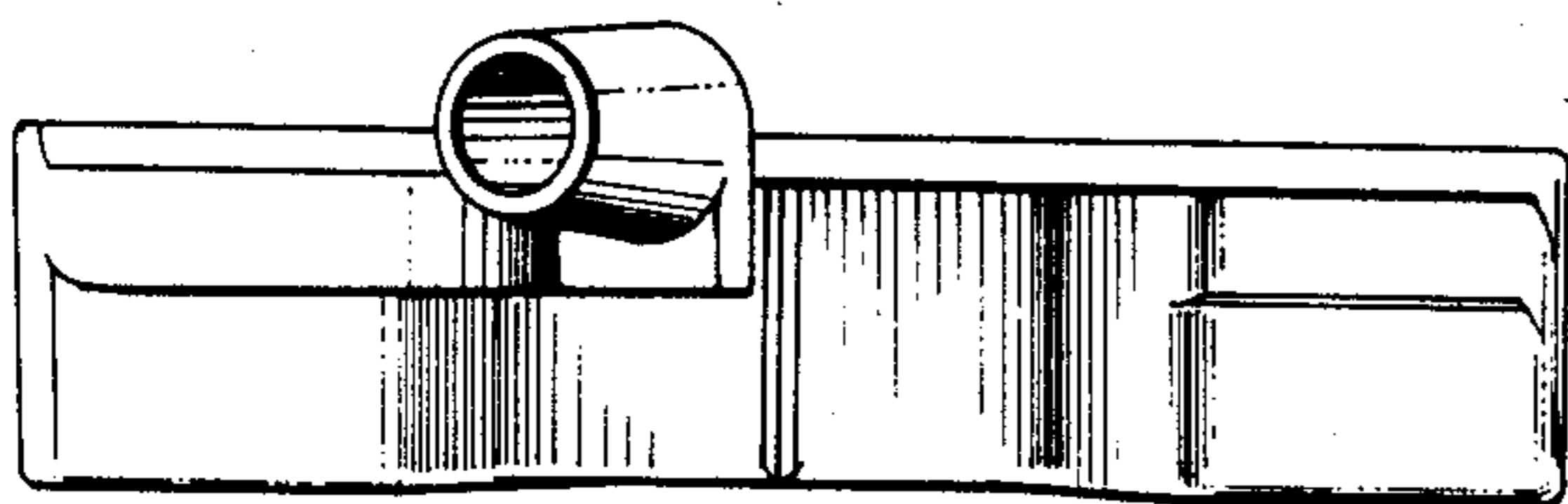


FIG. 3

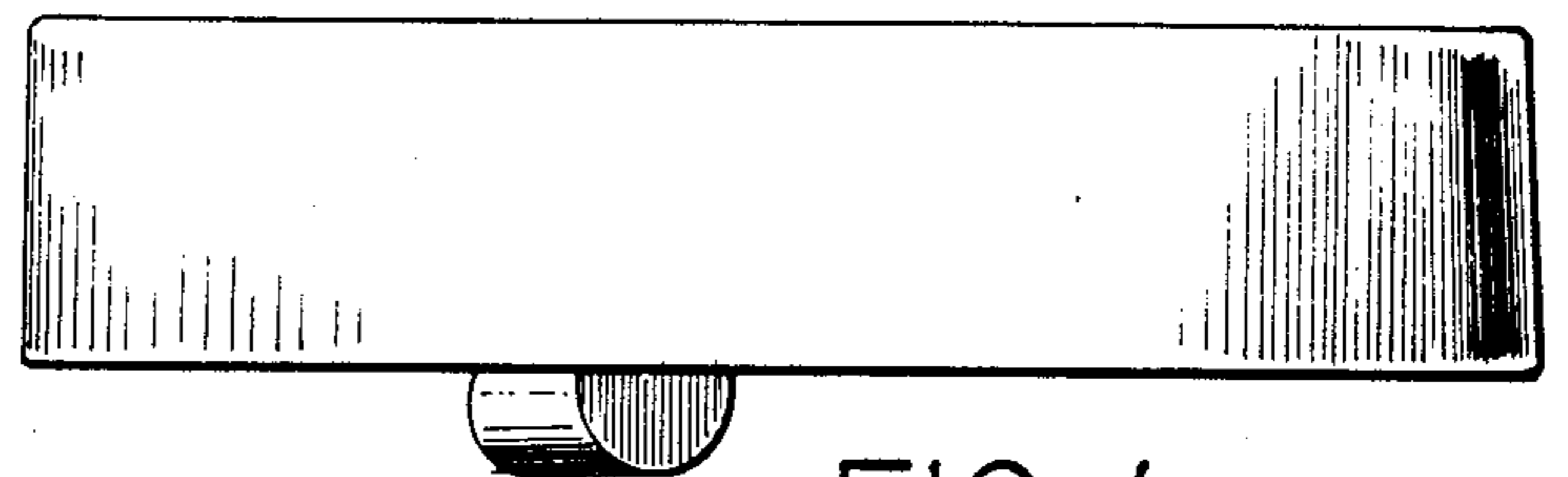


FIG. 4

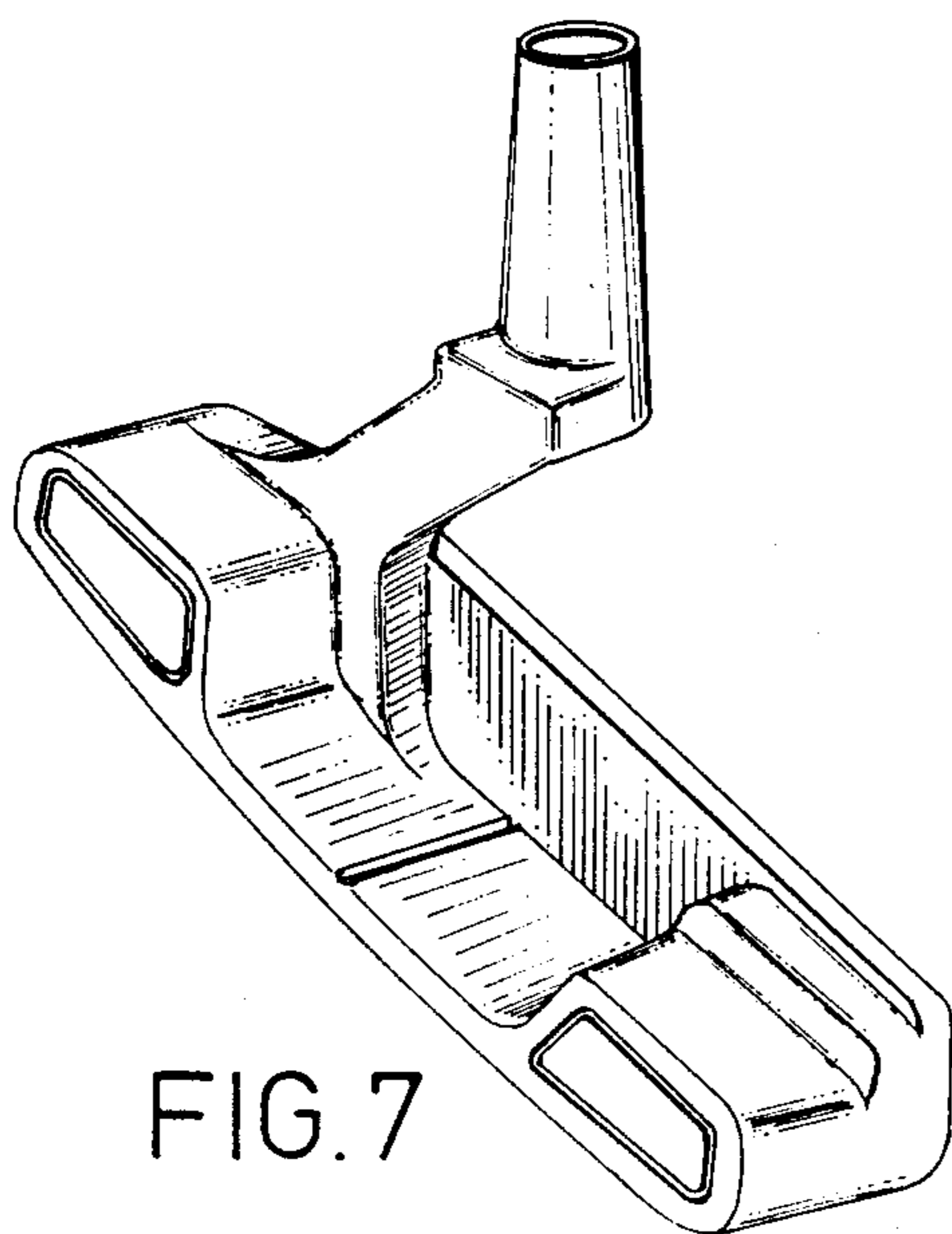


FIG. 7

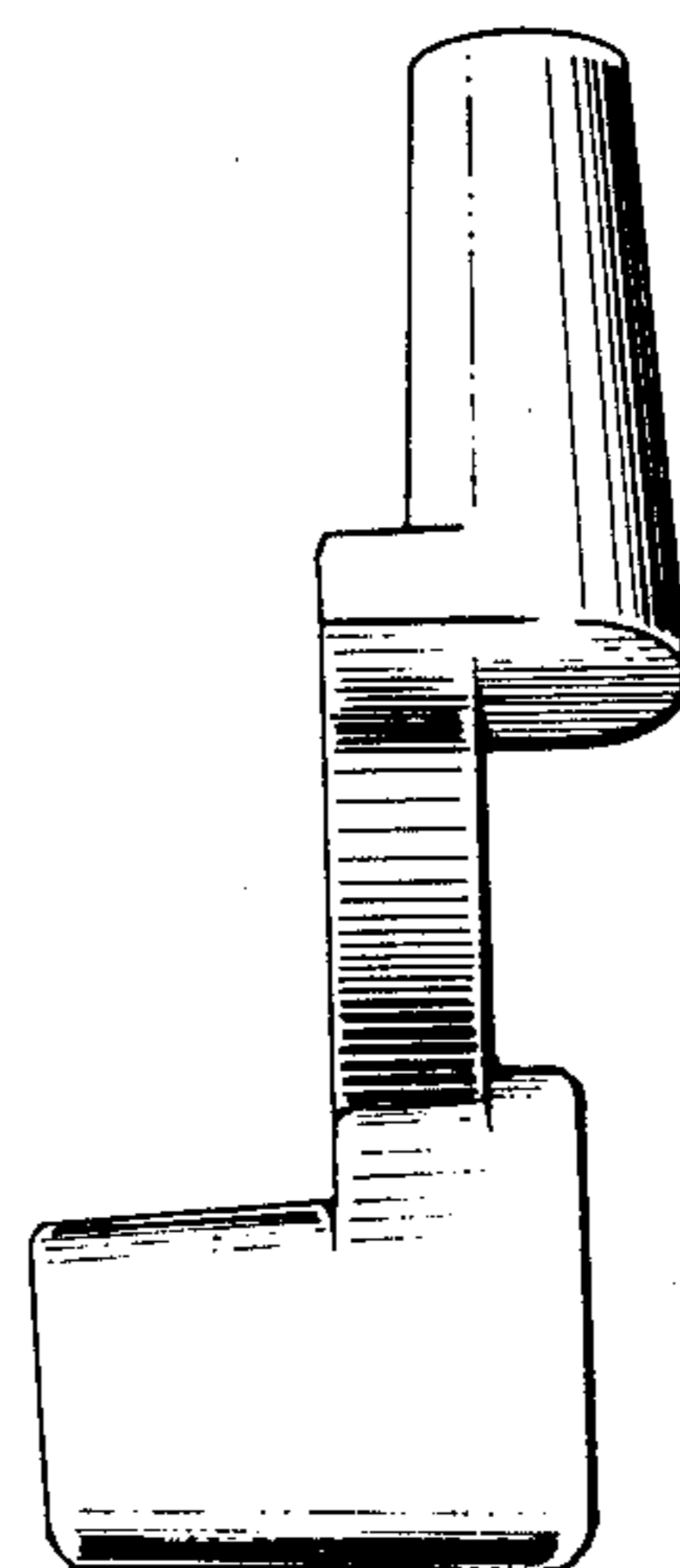


FIG. 5

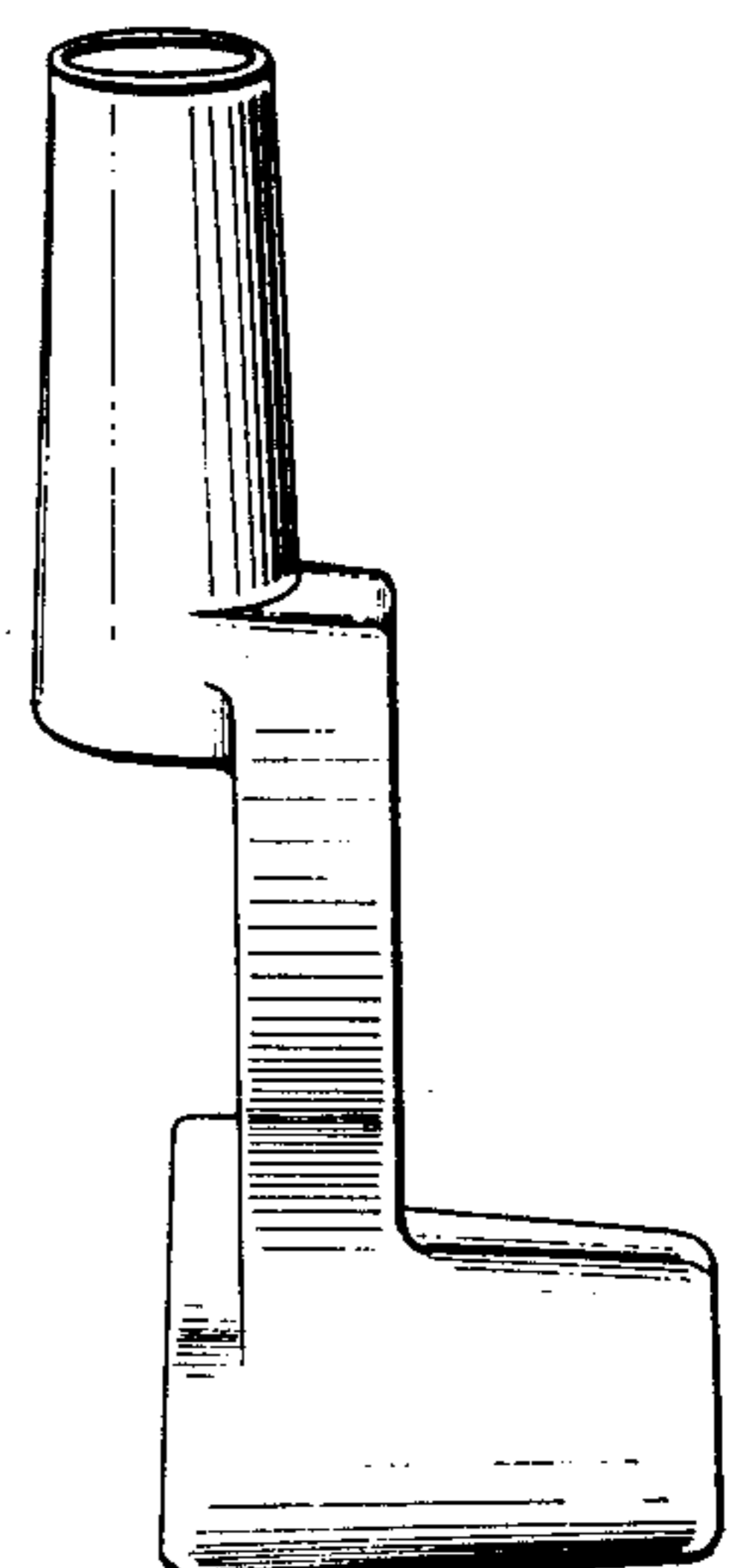


FIG. 6