

United States Patent [19]

Satoh et al.

[11] Patent Number: Des. 313,440

[45] Date of Patent: ** Jan. 1, 1991

[54] MOTOR DRIVEN TOY CACTUS

[75] Inventors: Yasuta Satoh, Nagareyama; Shinya Saitoh, Tokyo, both of Japan

[73] Assignee: Takara Co., Ltd., Tokyo, Japan

[**] Term: 14 Years

[21] Appl. No.: 406,128

[22] Filed: Sep. 12, 1989

[30] Foreign Application Priority Data

Jun. 12, 1989 [JP] Japan 1-21654

[52] U.S. Cl. D21/150; D21/155

[58] Field of Search D21/59, 160, 159, 166, D21/109; 428/24, 27; 446/175, 303; 272/8 D; 40/411; D11/117, 160, 152, 144

[56] References Cited

U.S. PATENT DOCUMENTS

D. 65,025 6/1924 Wade D21/155

D. 193,155 7/1962 Goldman et al. D11/117

D. 223,313 4/1972 White D11/117

D. 295,653 5/1988 Colclasure D21/155

4,903,424 2/1990 Satoh et al. 428/24

OTHER PUBLICATIONS

Wild Flowers of America, Rickett, Plate 233, Cactus.

Primary Examiner—Charles A. Rademaker

Attorney, Agent, or Firm—Price, Gess & Ubell

[57] CLAIM

The ornamental design for a motor driven toy cactus, as shown and described.

DESCRIPTION

FIG. 1 is a front perspective view of a motor driven toy cactus showing our new design;

FIG. 2 is a front elevational view thereof;

FIG. 3 is a rear elevational view thereof;

FIG. 4 is a top plan view thereof;

FIG. 5 is a bottom plan view thereof;

FIG. 6 is a right side elevational view thereof; and

FIG. 7 is a left side elevational view thereof.

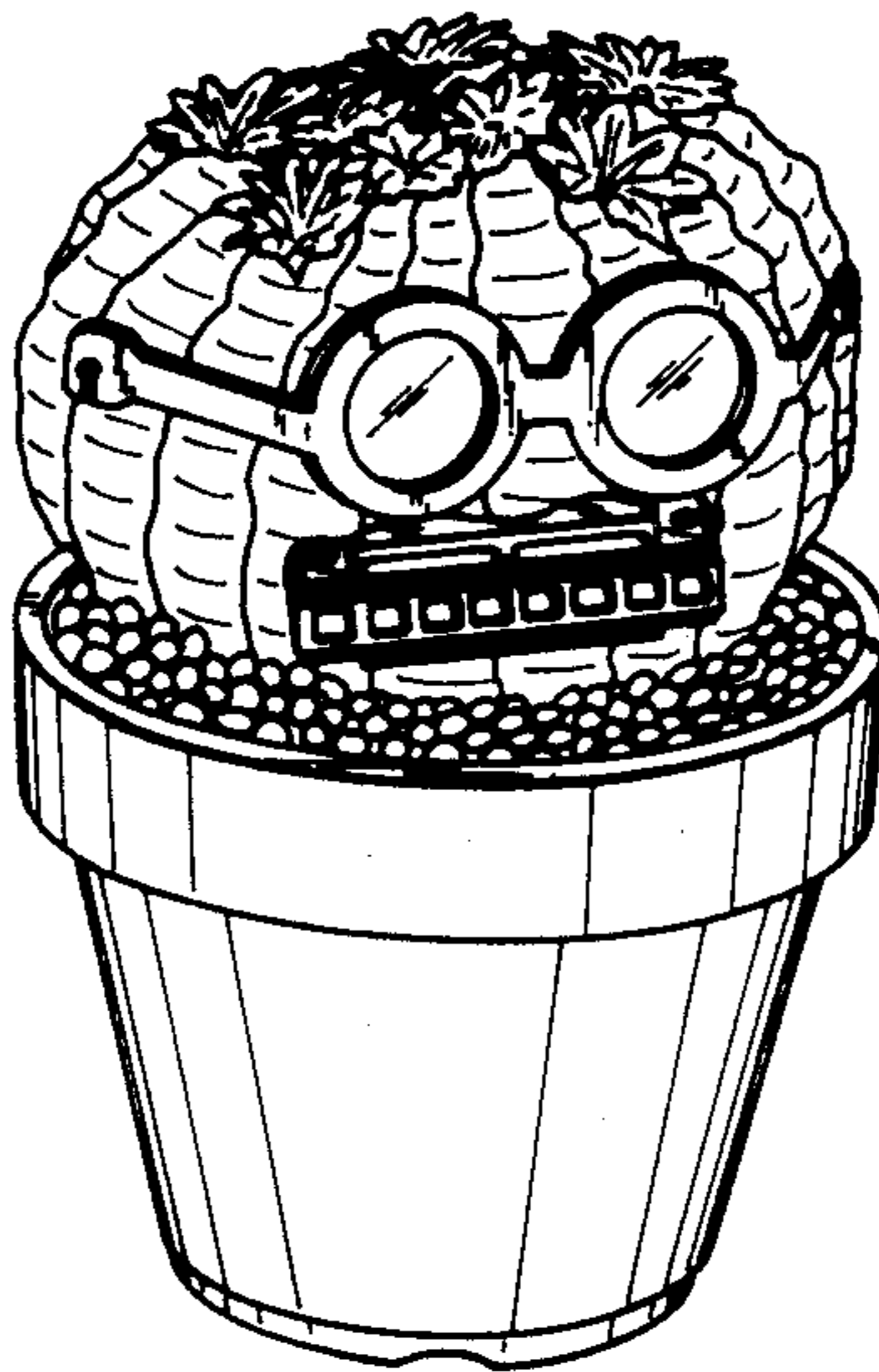


FIG. 1

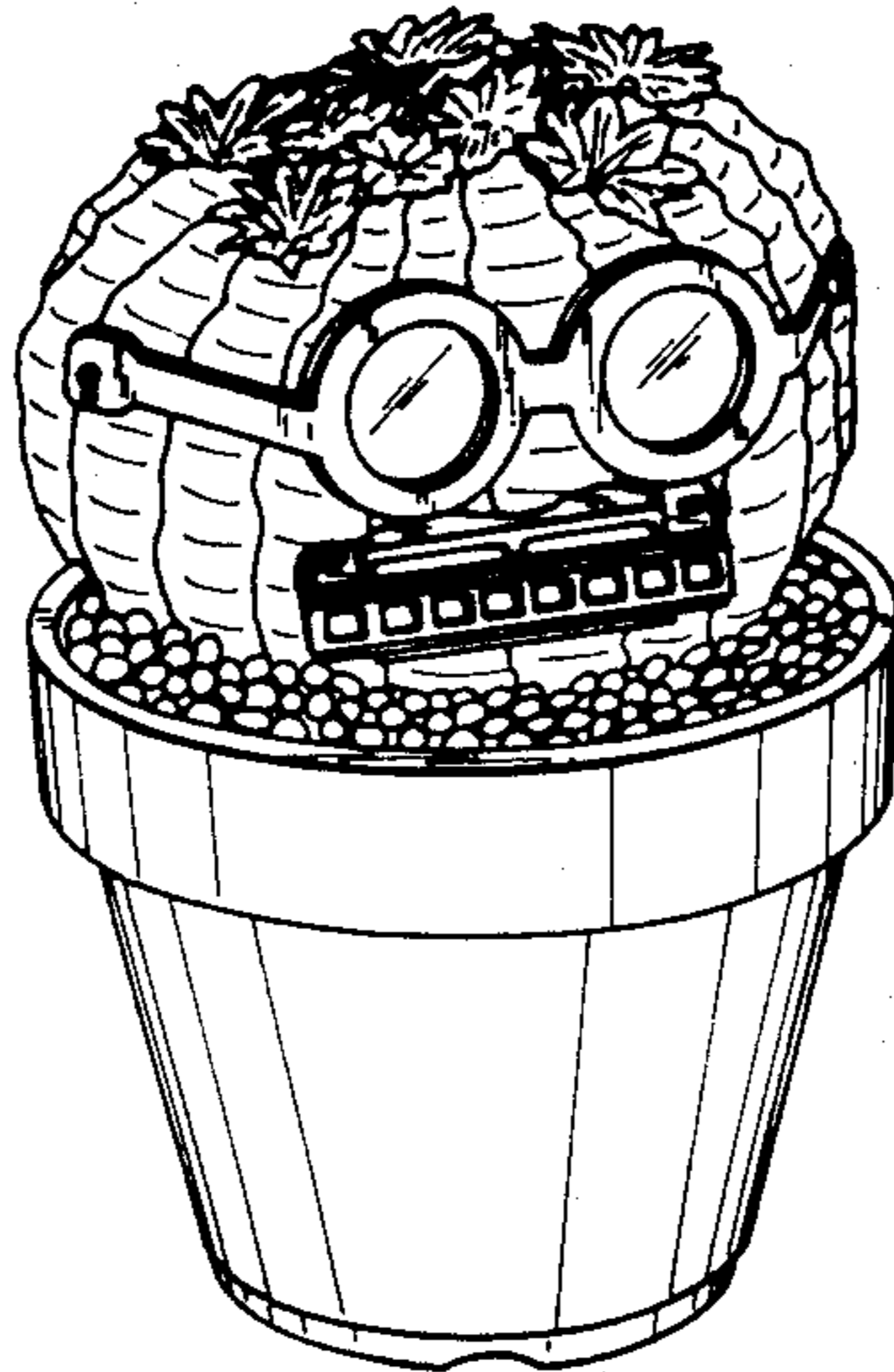


FIG. 2

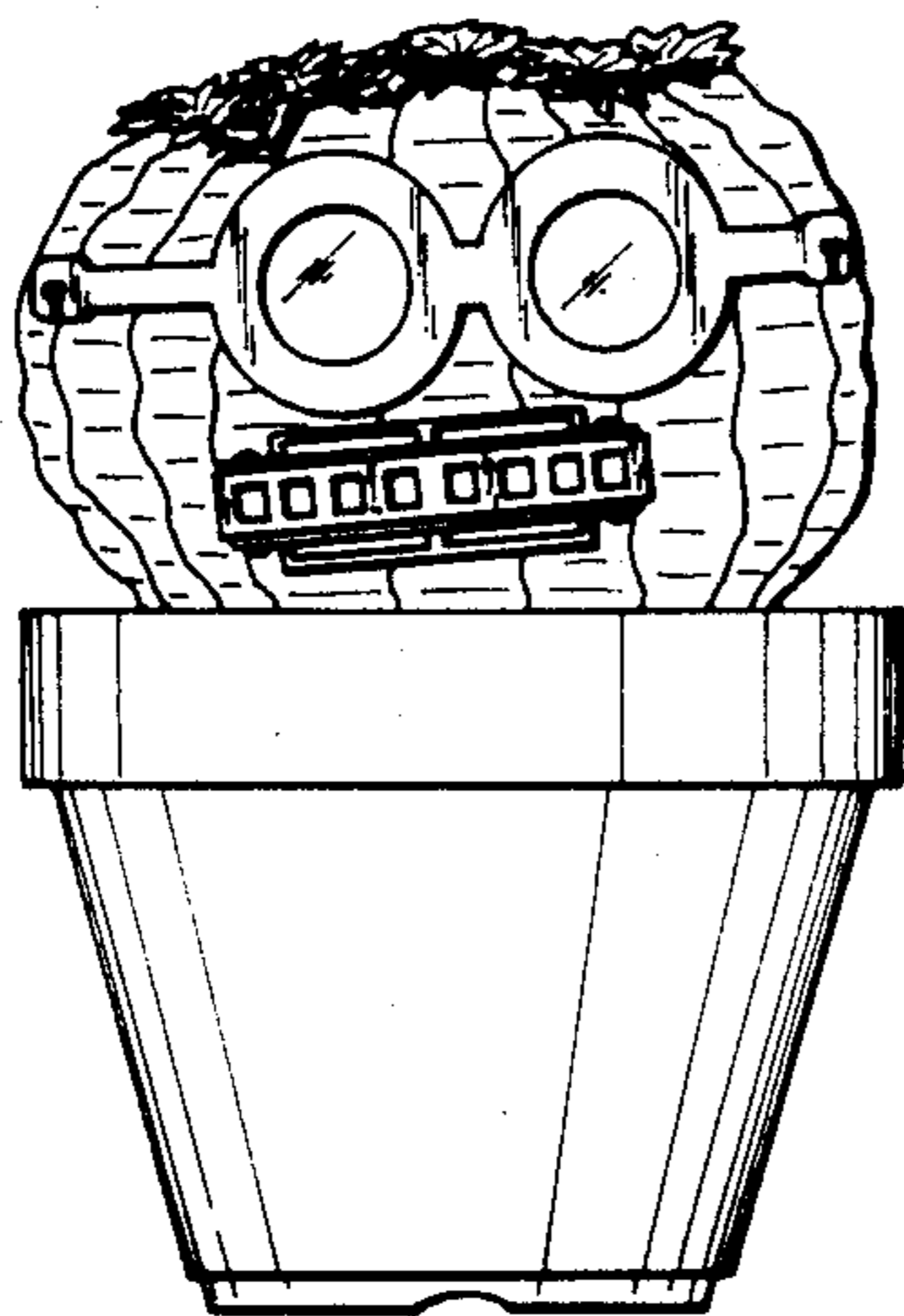


FIG. 3

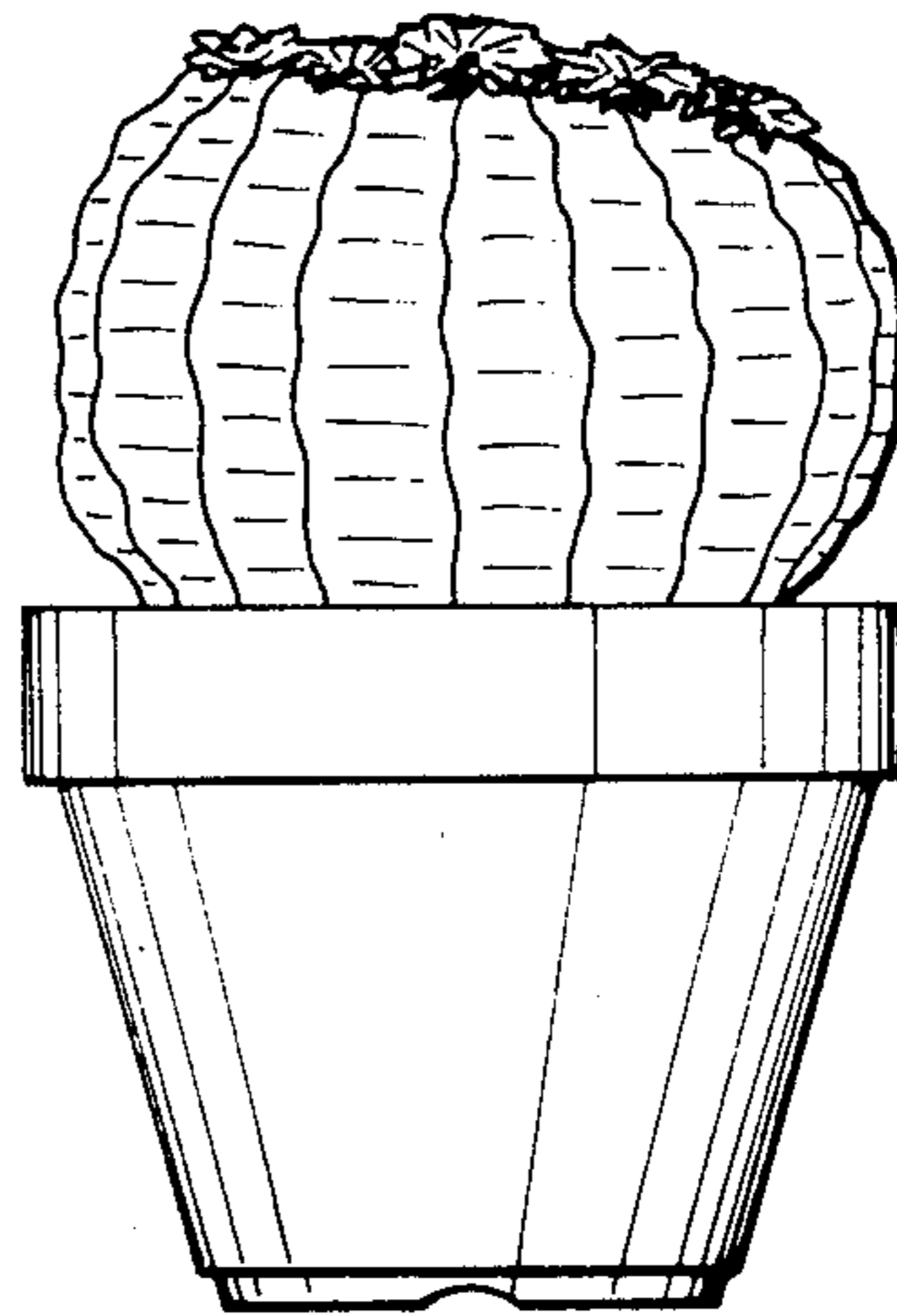


FIG. 4



FIG. 5

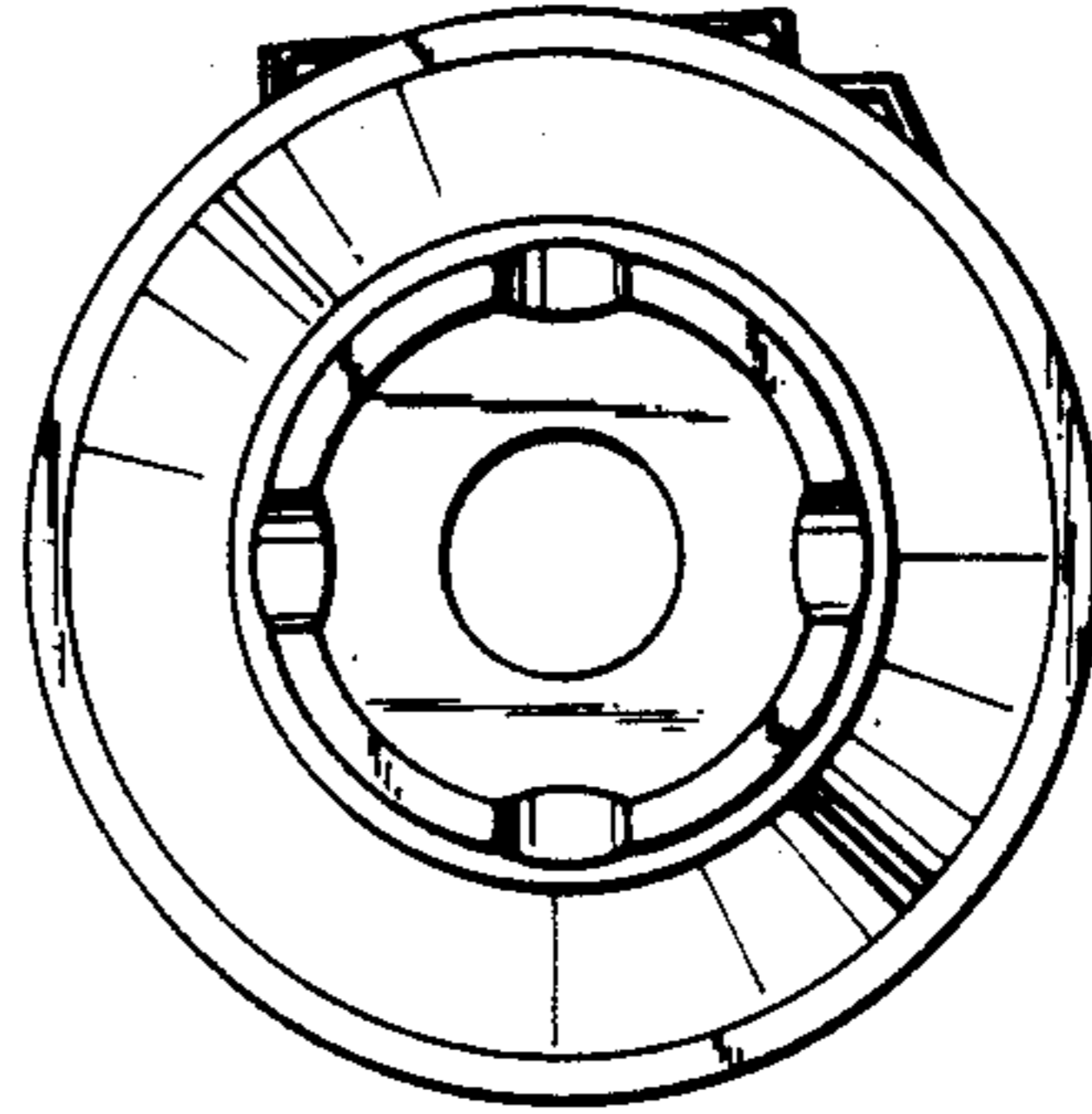


FIG. 6

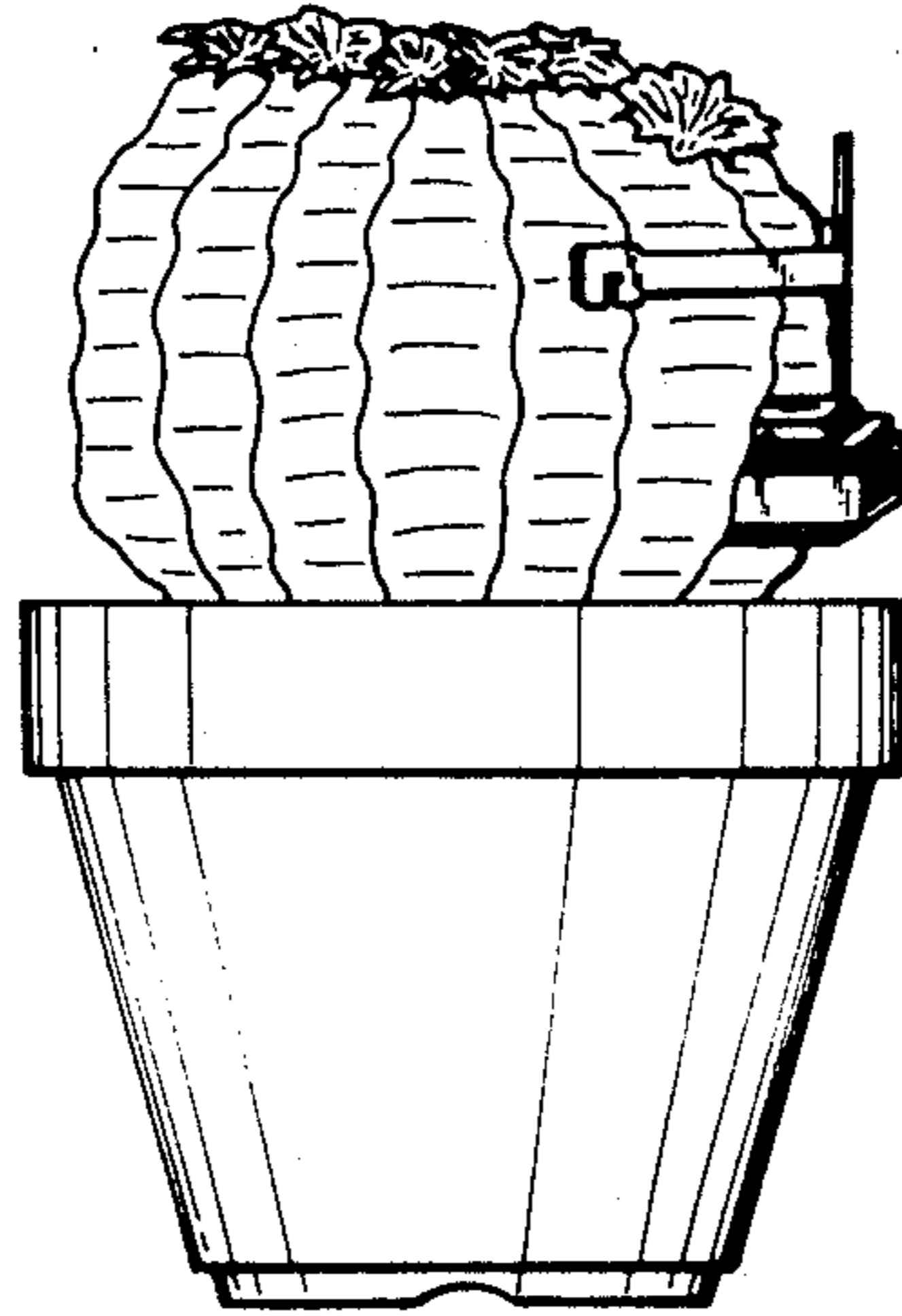


FIG. 7

