

United States Patent [19]

Kohno

[11] **Patent Number: Des. 313,439**

[45] **Date of Patent: ** Jan. 1, 1991**

[54] **RADIO REMOTE CONTROL UNIT**

[75] **Inventor: Naoichi Kohno, Mobara, Japan**

[73] **Assignee: Futaba Denshi Kogyo Kabushiki Kaisha, Mobara, Japan**

[**] **Term: 14 Years**

[21] **Appl. No.: 132,857**

[22] **Filed: Dec. 14, 1987**

[30] **Foreign Application Priority Data**

Oct. 13, 1987 [JP] Japan 62-41753

[52] **U.S. Cl. D21/141; D21/141.1**

[58] **Field of Search D21/48, 141, 142, 141.1; 273/86 RB; 446/454, 455, 456**

[56] **References Cited**

U.S. PATENT DOCUMENTS

- D. 212,240 9/1968 Wong D21/141.1
- D. 219,665 1/1971 La Branche D21/141
- D. 230,496 2/1974 Stastny D21/141.1

- D. 263,858 4/1982 Ngai D21/141
- D. 265,839 8/1982 Kite et al. D21/142
- D. 283,718 5/1986 Kondo D21/141
- D. 302,446 7/1989 Cheng D21/142

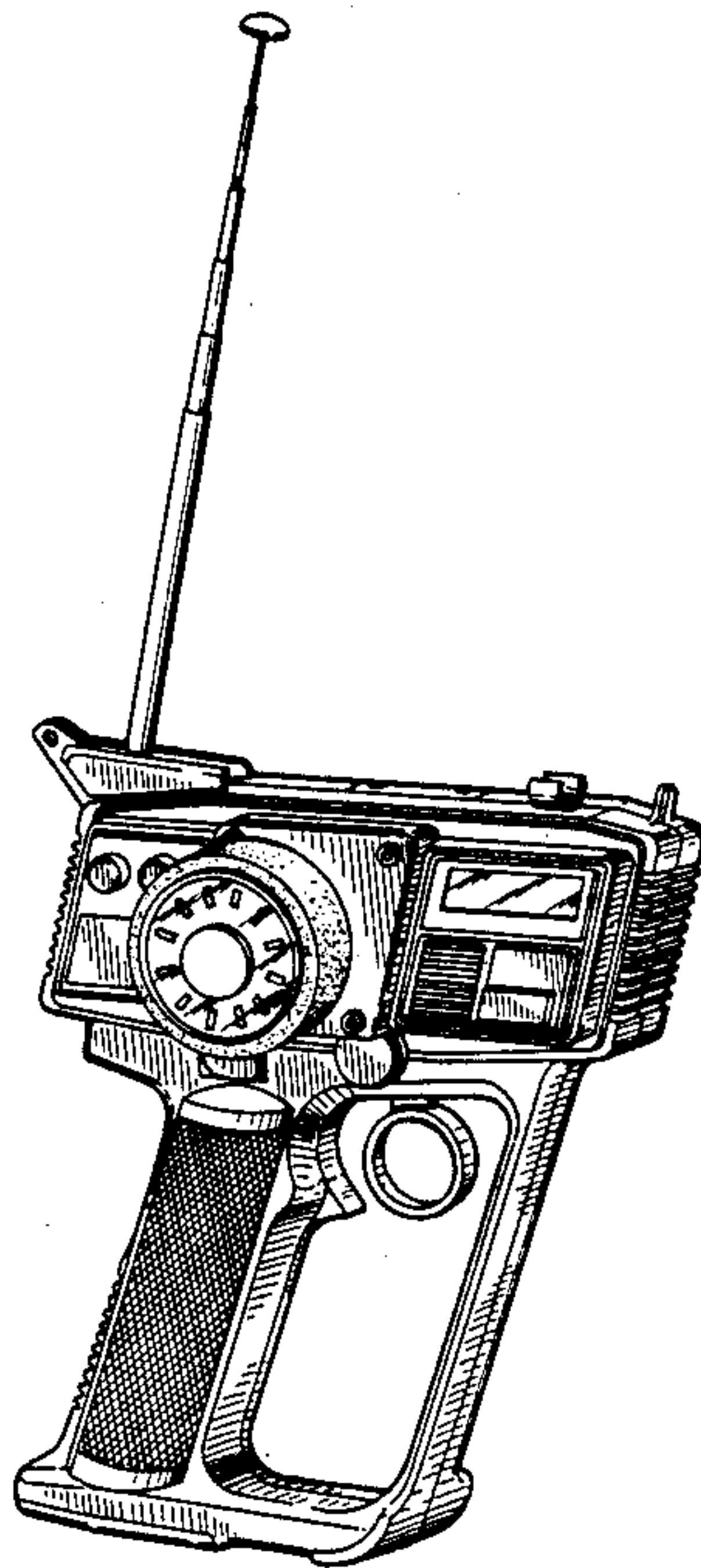
Primary Examiner—Charles A. Rademaker
Assistant Examiner—Alicia A. Farrell
Attorney, Agent, or Firm—Oblon, Spivak, McClelland, Maier & Neustadt

[57] **CLAIM**

The ornamental design for a radio remote control unit, as shown.

DESCRIPTION

FIG. 1 is a perspective view of a radio remote control unit showing my new design;
FIG. 2 is a front elevational view thereof;
FIG. 3 is a rear elevational view thereof;
FIG. 4 is a left side elevational view thereof;
FIG. 5 is a right side elevational view thereof;
FIG. 6 is a top plan view thereof; and
FIG. 7 is a bottom plan view thereof.



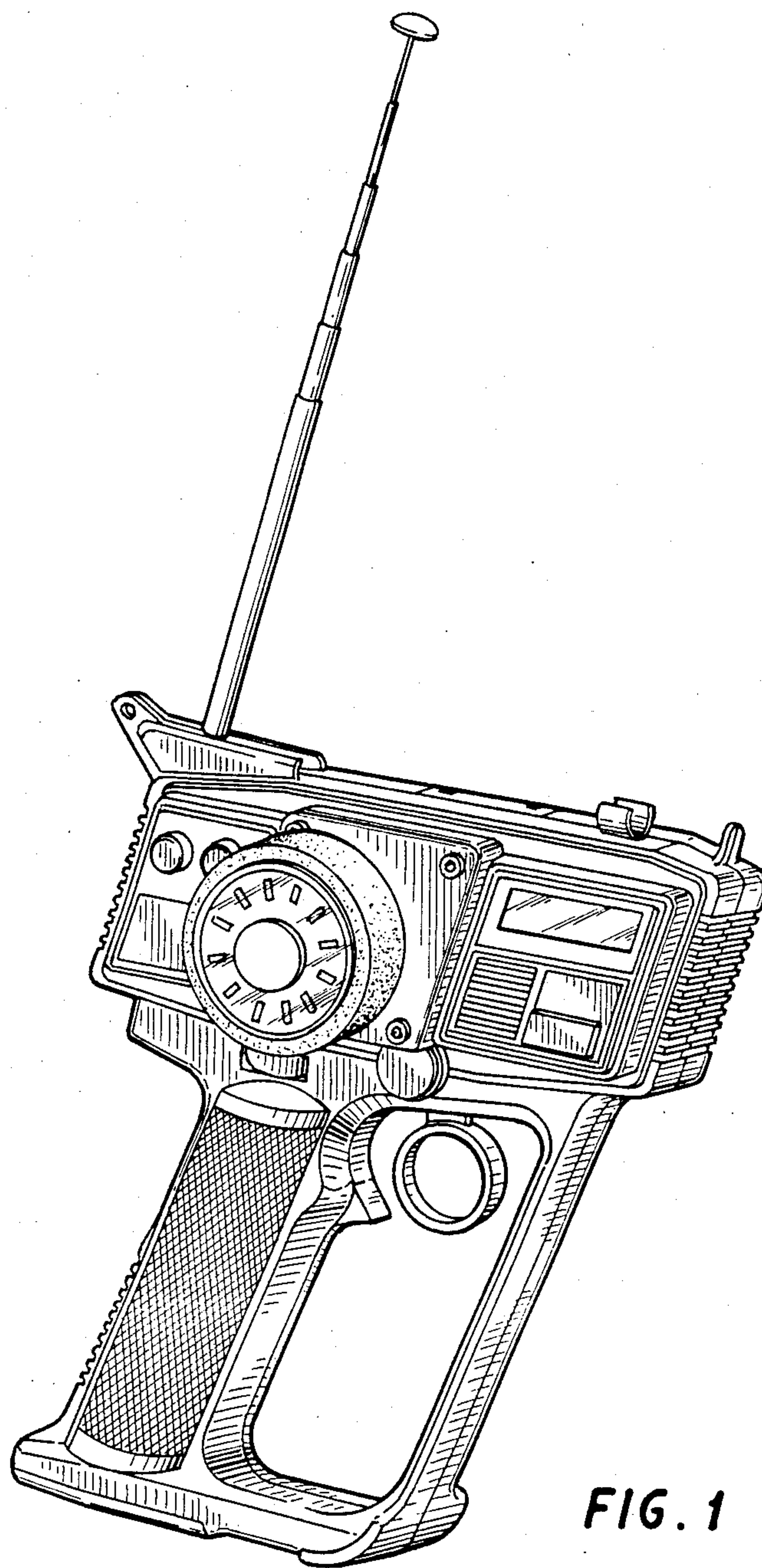


FIG. 1

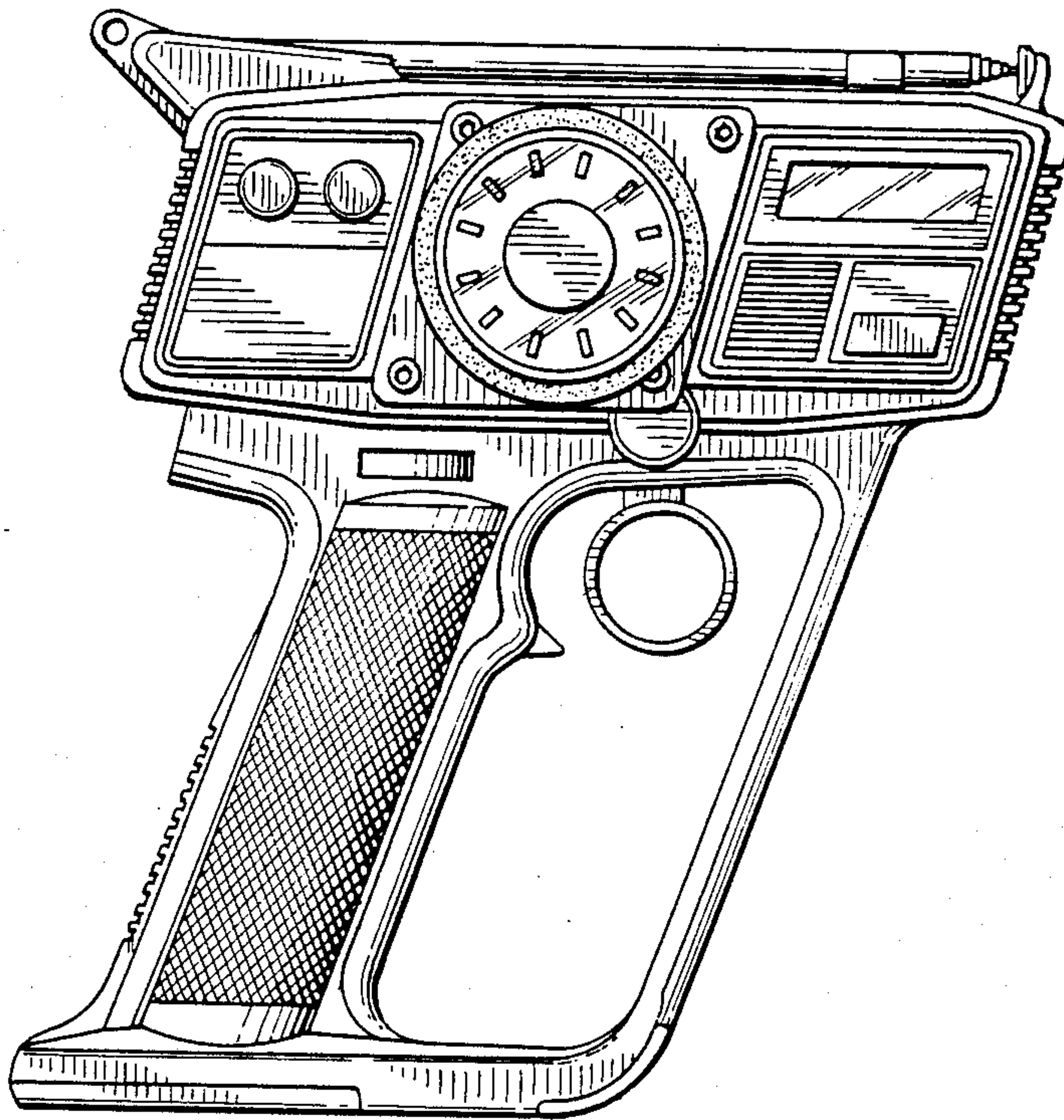


FIG. 2

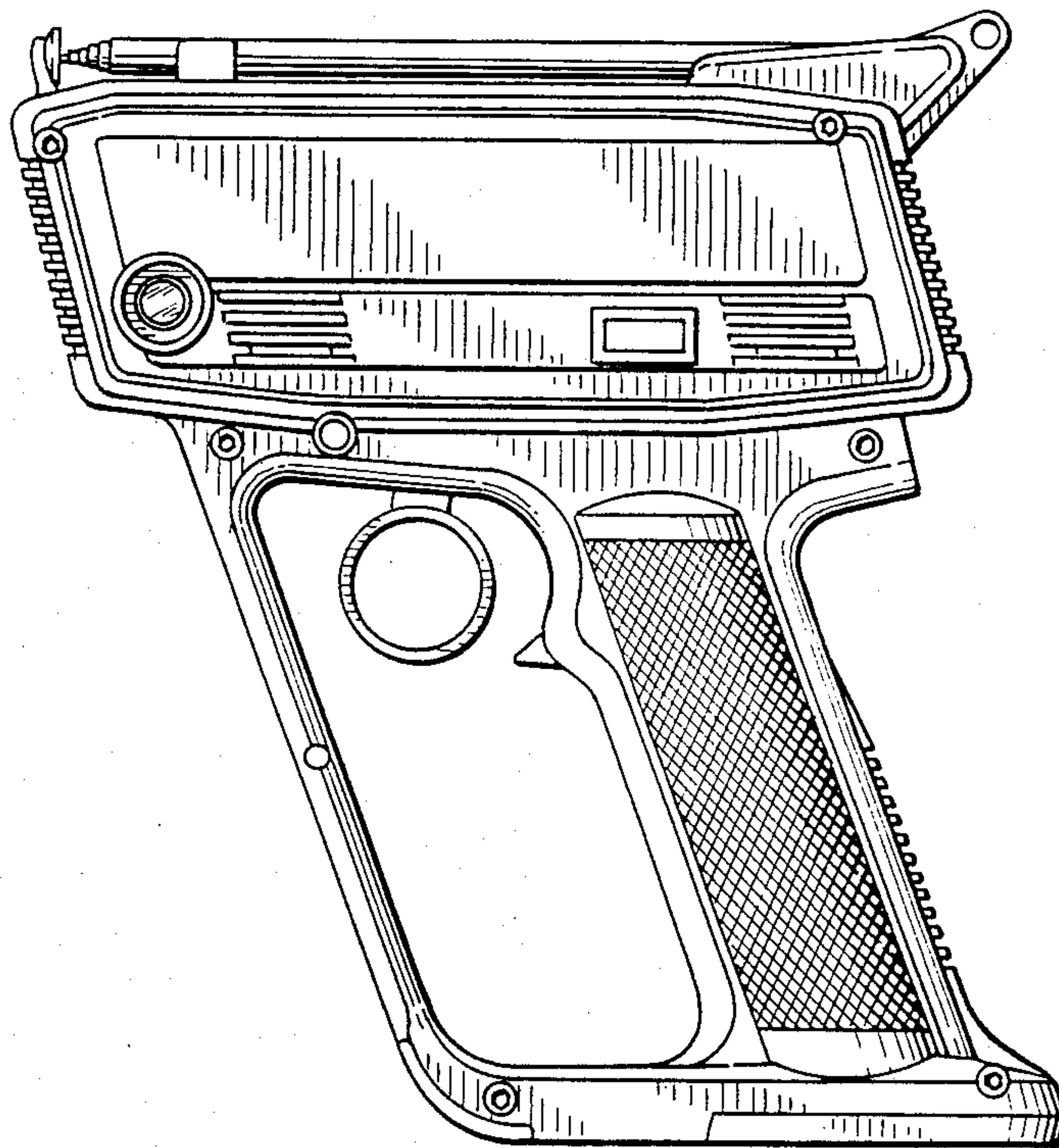


FIG. 3

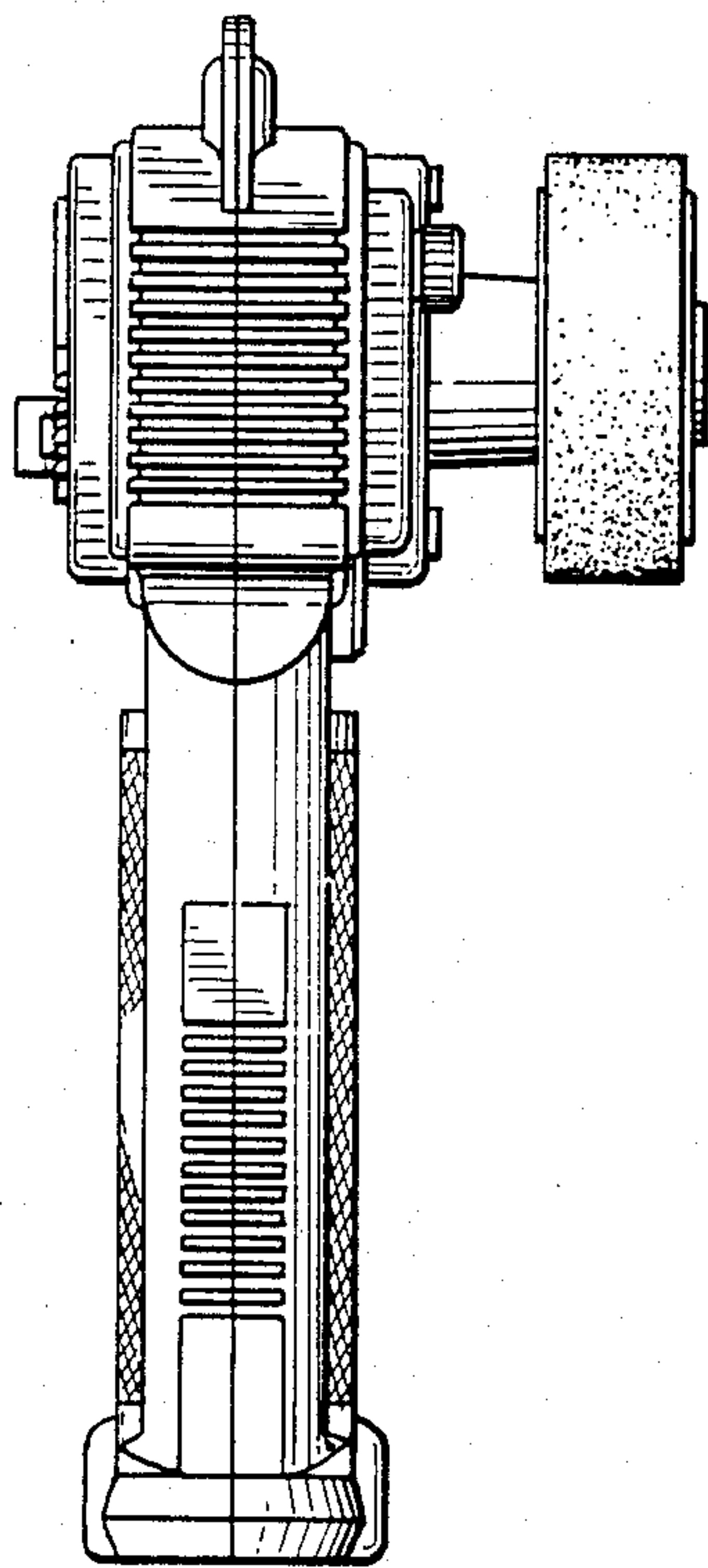


FIG. 4

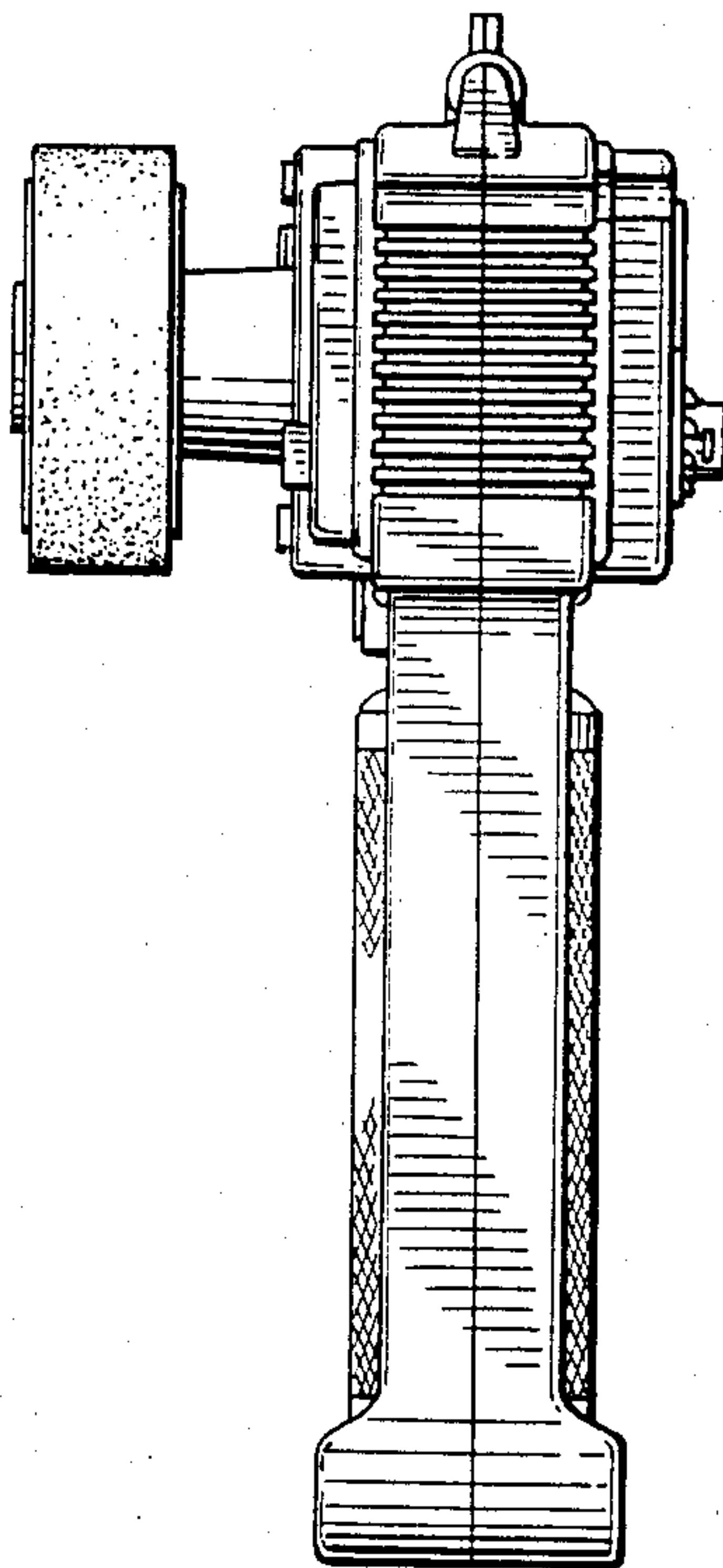


FIG. 5

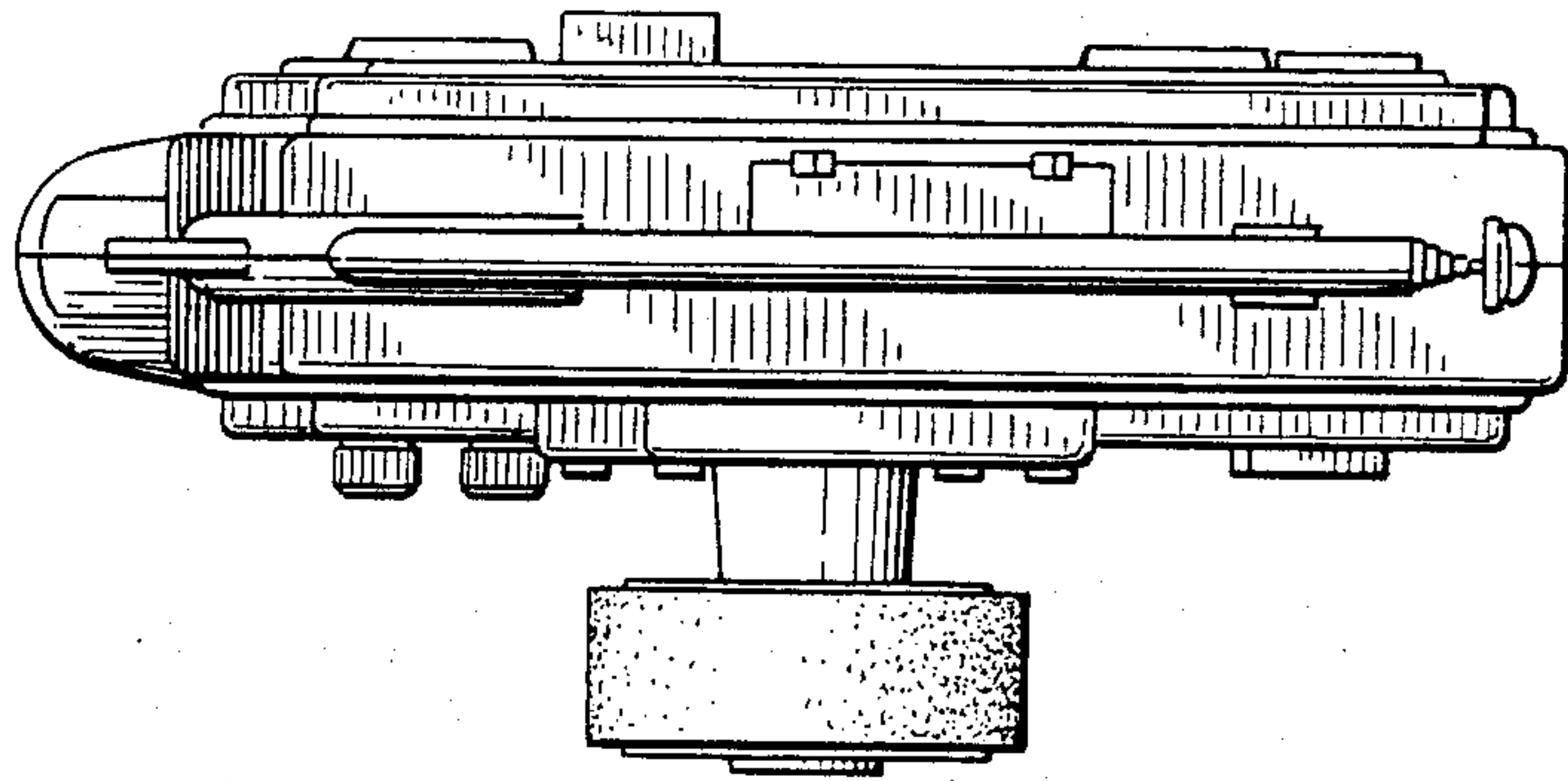


FIG. 6

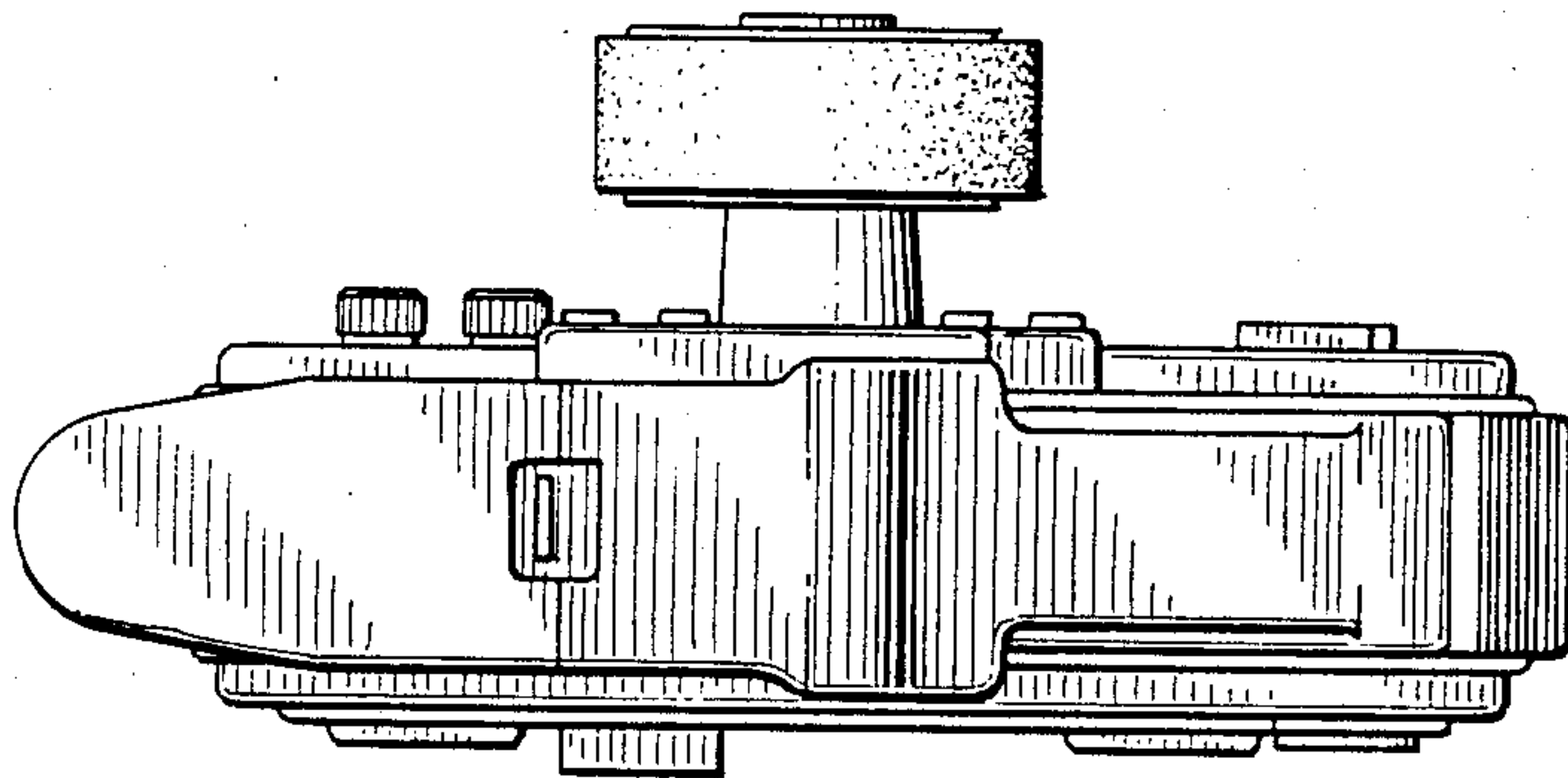


FIG. 7