

[54] **TOY BUILDING ELEMENT**

[75] **Inventor: Edel S. Andersen, Randbøl, Denmark**  
[73] **Assignee: Interlego A.G., Baar, Switzerland**  
[\*\*] **Term: 14 Years**  
[21] **Appl. No.: 349,353**  
[22] **Filed: May 9, 1989**  
[52] **U.S. Cl. .... D21/108**  
[58] **Field of Search .... D21/59, 108, 114, 117,  
D21/118, 119; 446/108, 115, 118, 124, 126, 85,  
93**

[56] **References Cited**

**U.S. PATENT DOCUMENTS**

D. 236,621	9/1975	Howard	.....	D21/108
D. 272,255	1/1984	Chatani et al.	.....	D21/108
2,039,097	4/1936	Malm	.....	D21/108
2,098,124	2/1937	Yancey	.....	D21/129
2,882,689	4/1959	Huch et al.	.....	D21/108

**FOREIGN PATENT DOCUMENTS**

583129 12/1946 United Kingdom ..... 446/124

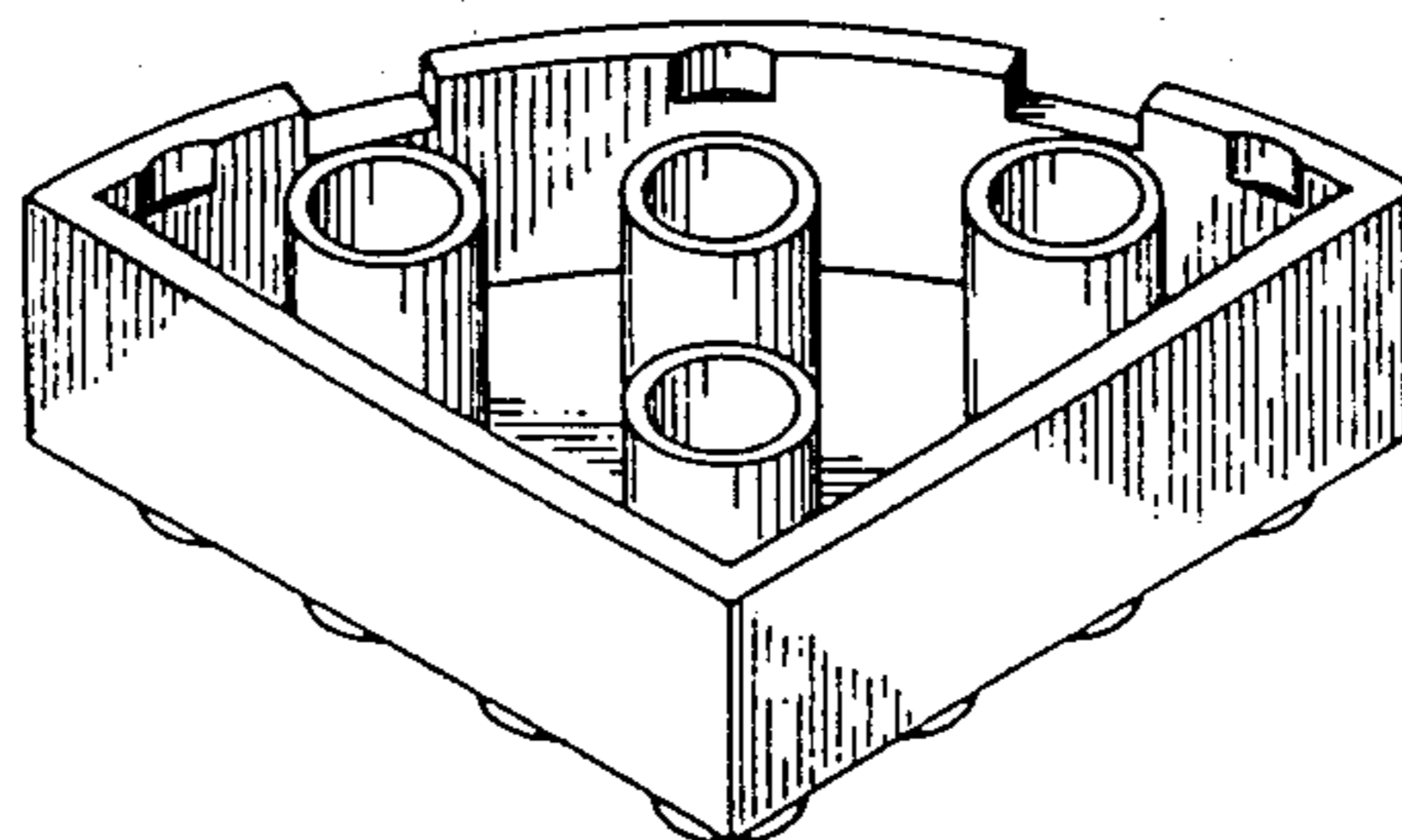
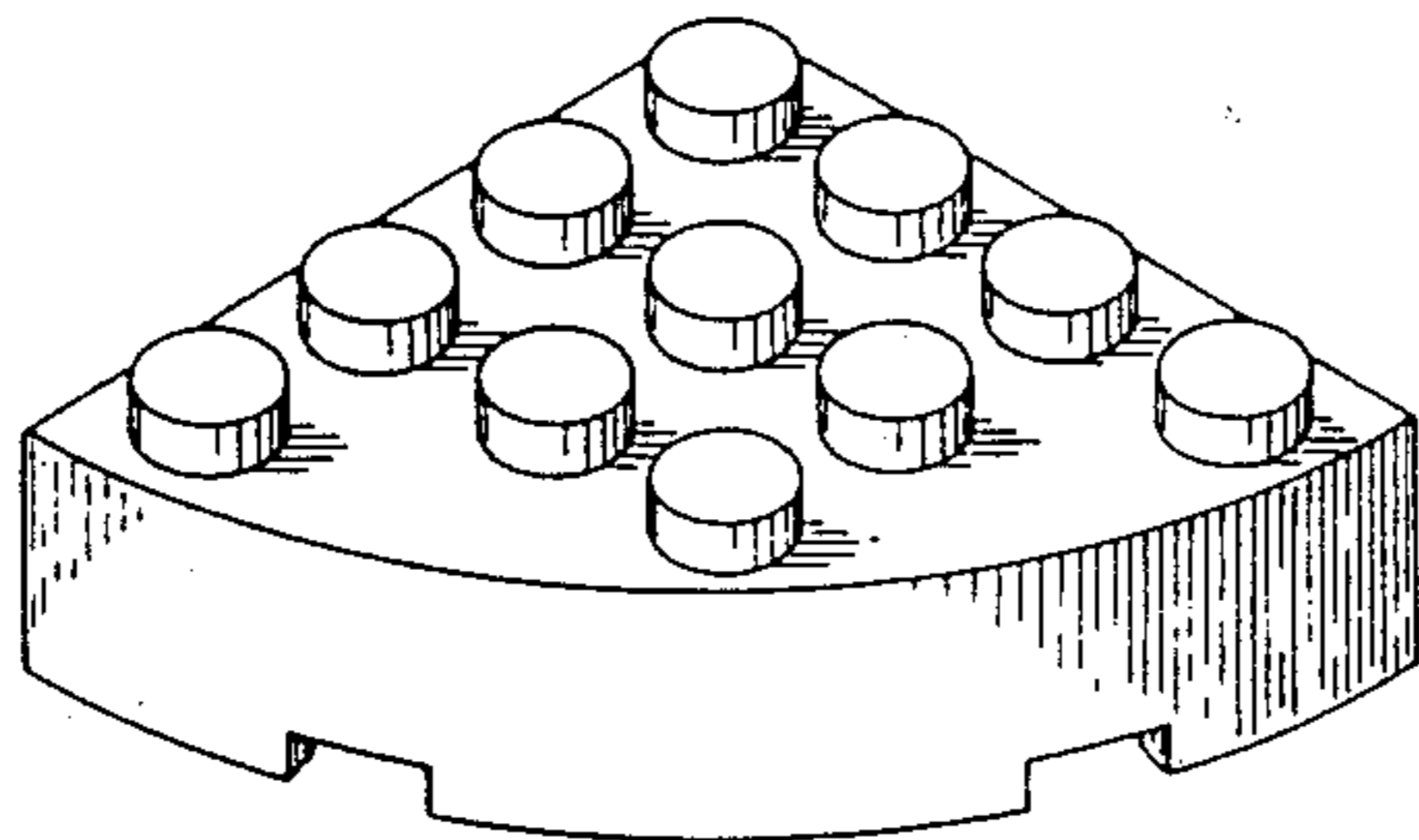
*Primary Examiner*—Charles A. Rademaker  
*Assistant Examiner*—Alicia A. Farrell  
*Attorney, Agent, or Firm*—Kane, Dalsimer, Sullivan,  
Kurucz, Levy, Eisele and Richard

[57] **CLAIM**

The ornamental design for toy building element, as shown and described.

**DESCRIPTION**

FIG. 1 is a top perspective view of a toy building element showing my new design;  
FIG. 2 is a bottom perspective view thereof;  
FIG. 3 is a top plan view thereof;  
FIG. 4 is a bottom plan view thereof;  
FIG. 5 is a left side elevational view thereof;  
FIG. 6 is a front elevational view thereof; and  
FIG. 7 is a right side elevational view thereof.



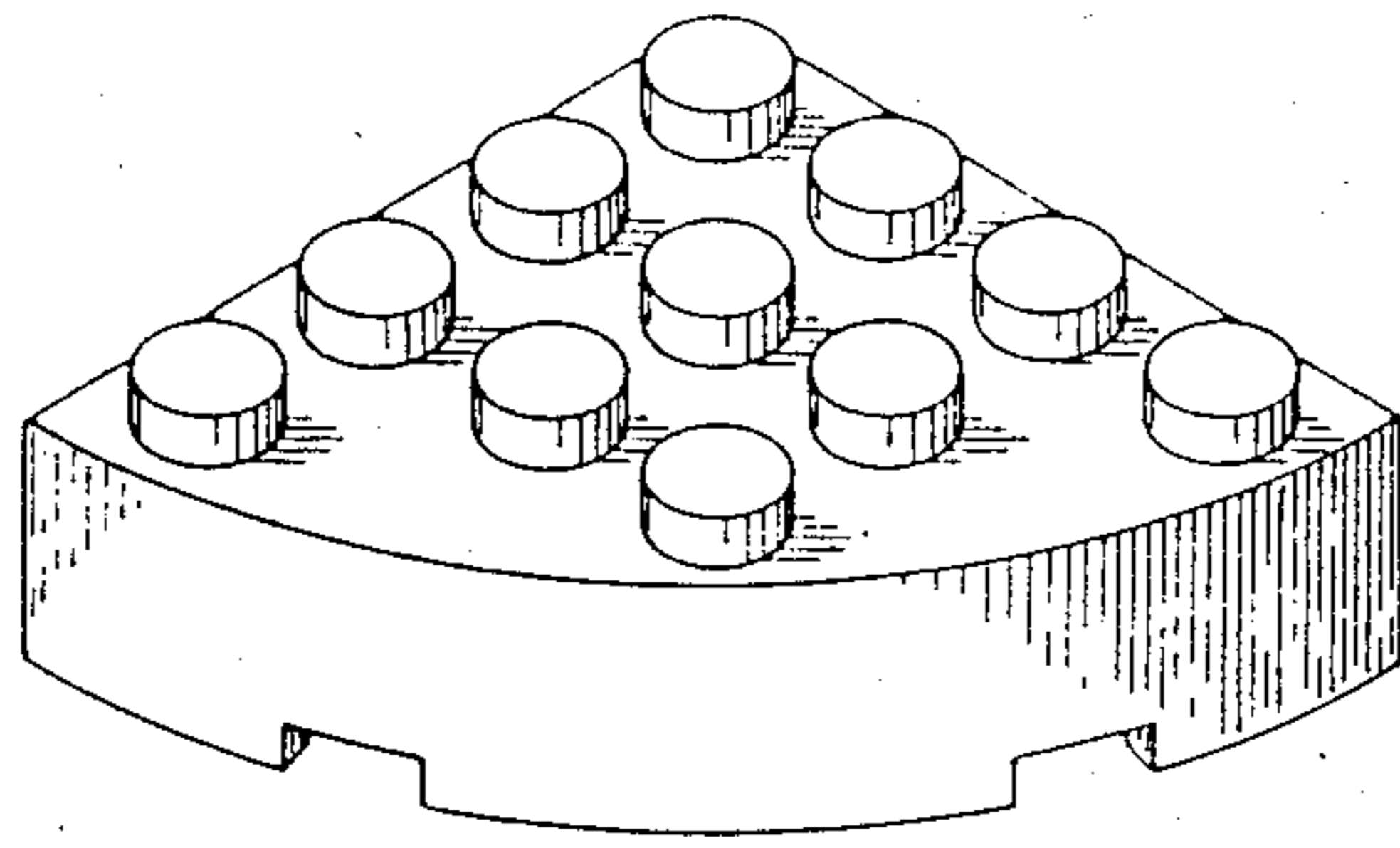


FIG.1

FIG.2

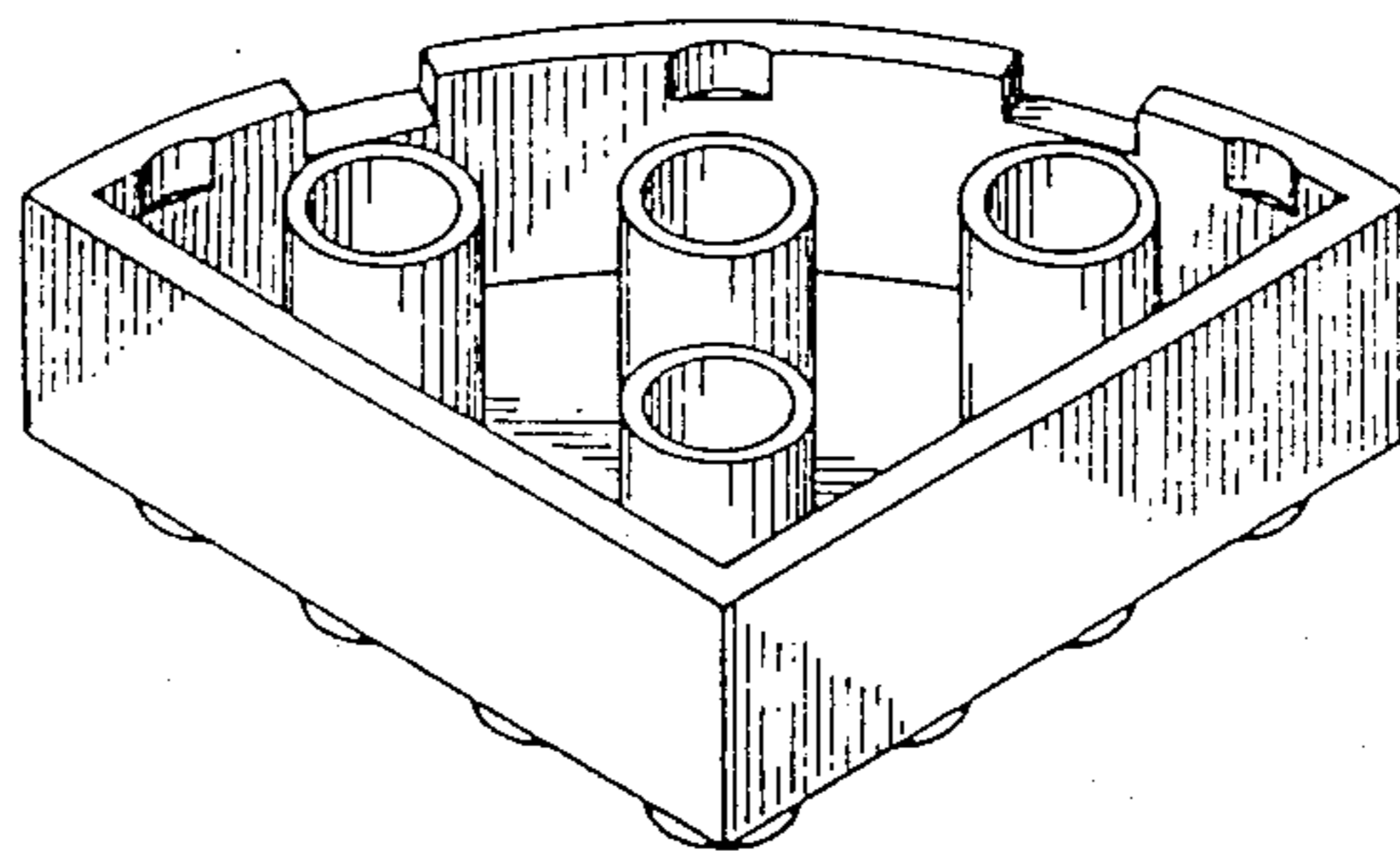


FIG.3

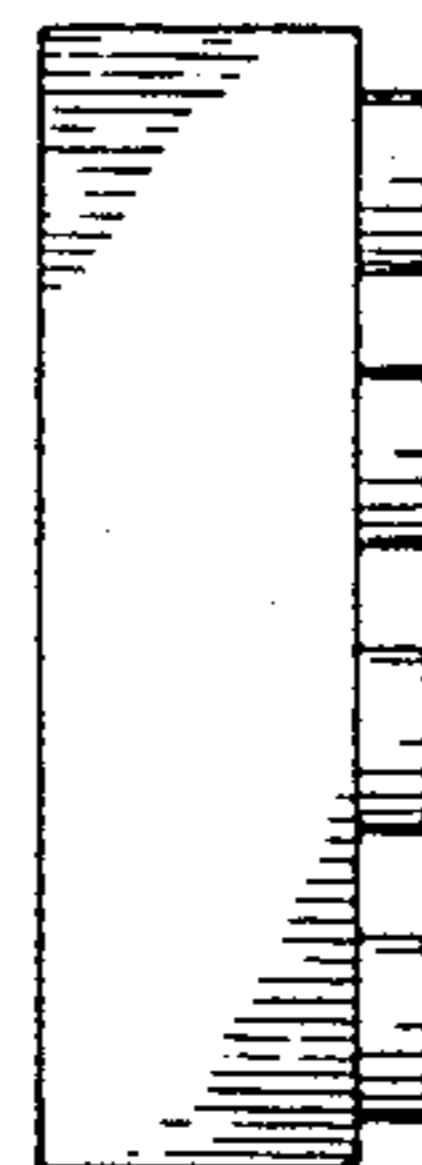
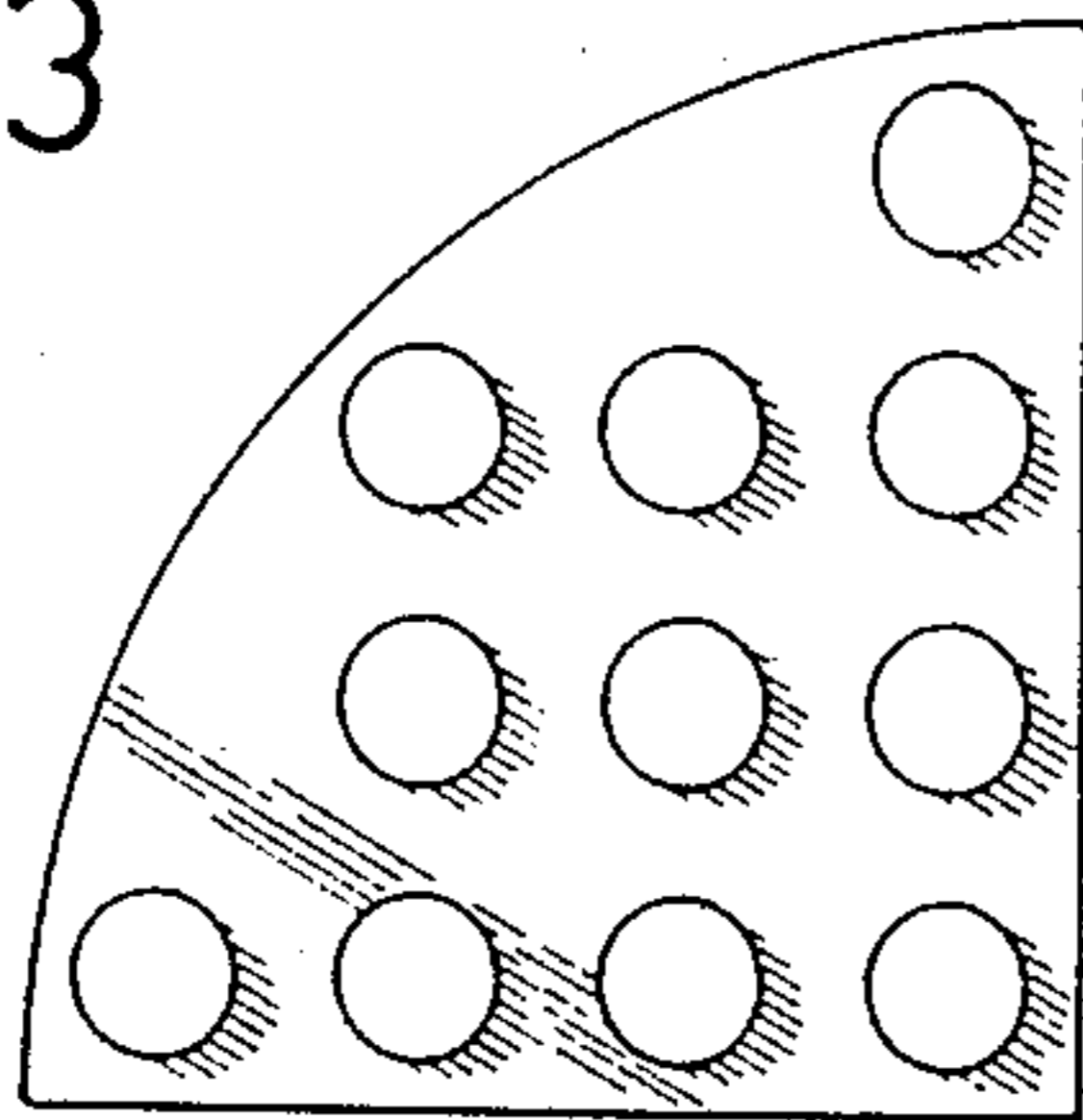


FIG.5

FIG.4

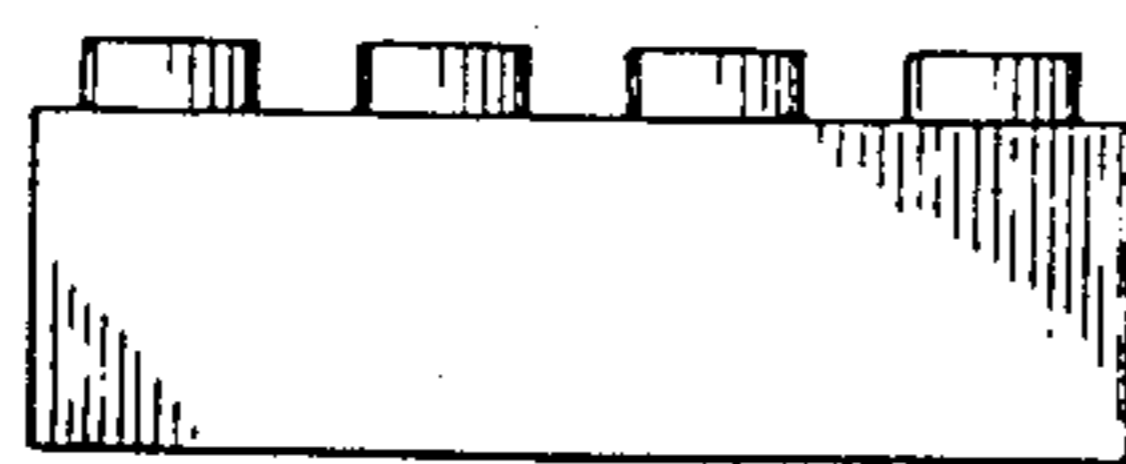
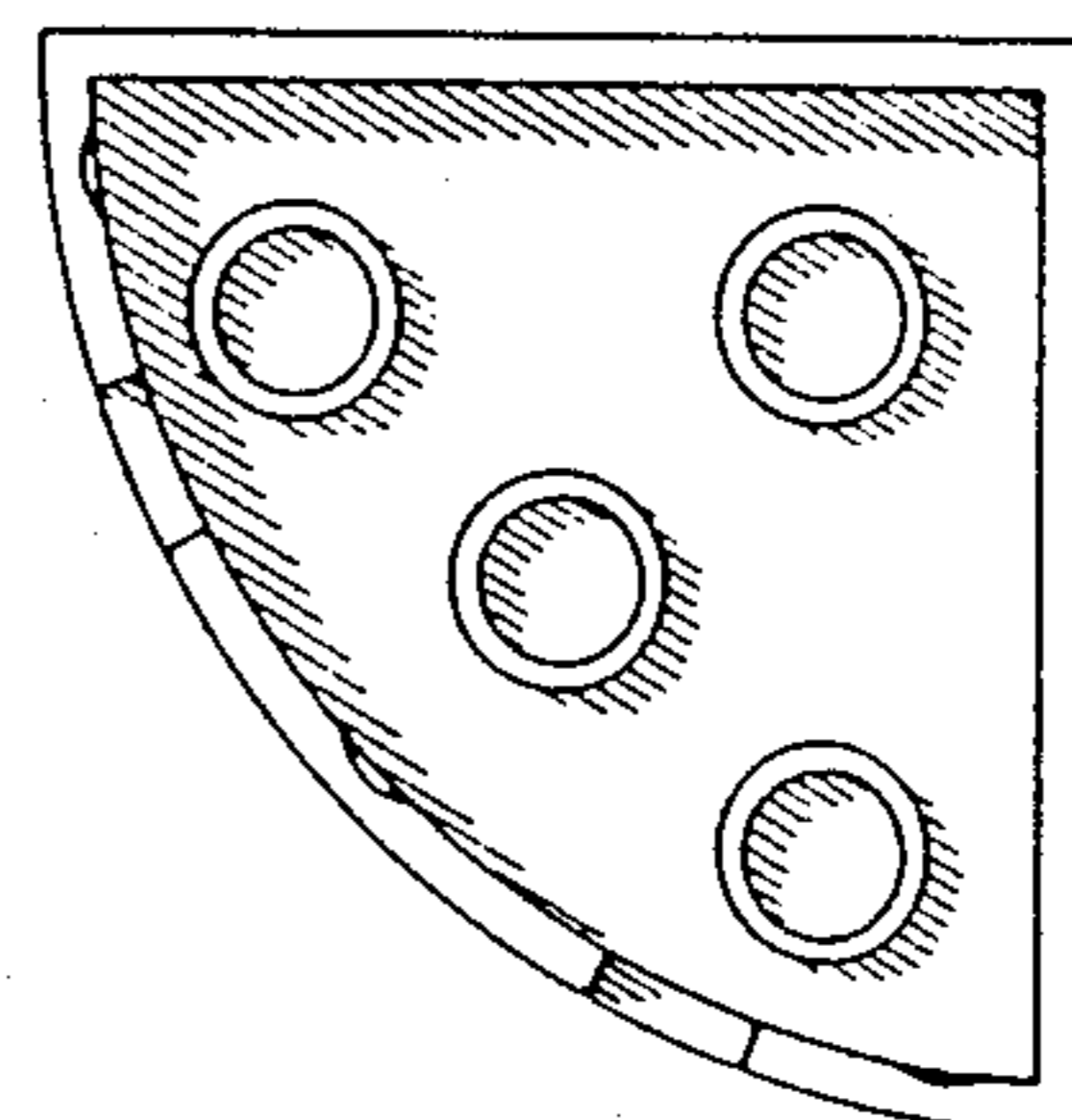


FIG.7



FIG.6