

United States Patent [19]

Andersen

[11] Patent Number: Des. 313,437

[45] Date of Patent: ** Jan. 1, 1991

[54] TOY BUILDING ELEMENT

[75] Inventor: Edel S. Andersen, Randbl, Denmark

[73] Assignee: Interlego A.G., Baar, Switzerland

[**] Term: 14 Years

[21] Appl. No.: 349,348

[22] Filed: May 9, 1989

[52] U.S. Cl. D21/108

[58] Field of Search D21/59, 108, 114, 117,
D21/118, 119; 446/108, 115, 118, 124, 126, 83

[56] References Cited

U.S. PATENT DOCUMENTS

D. 175,392	8/1955	Clanton	D21/108
D. 241,261	8/1976	Dibet	D21/108
D. 244,172	5/1977	Lee	D21/114
D. 304,215	10/1989	Knudsen	D21/108
1,621,178	3/1927	Strub	446/85
1,736,134	11/1929	Rutherford	D21/114
2,882,689	4/1959	Huch et al.	D21/108
2,932,745	4/1960	Alberti et al.	D21/108
3,034,254	5/1962	Christiansen	D21/108
4,258,497	3/1981	Ellison	446/85

4,753,622 6/1988 Nakama 446/85

FOREIGN PATENT DOCUMENTS

880052 3/1943 France D21/108

58080 8/1946 Netherlands 446/124

226833 7/1925 United Kingdom 446/124

Primary Examiner—Charles A. Rademaker

Assistant Examiner—Alicia A. Farrell

Attorney, Agent, or Firm—Kane, Dalsimer, Sullivan,
Kurucz, Levy, Eisele and Richard

[57] CLAIM

The ornamental design for toy building element, as shown and described.

DESCRIPTION

FIG. 1 is a top perspective view of a toy building element showing my new design;

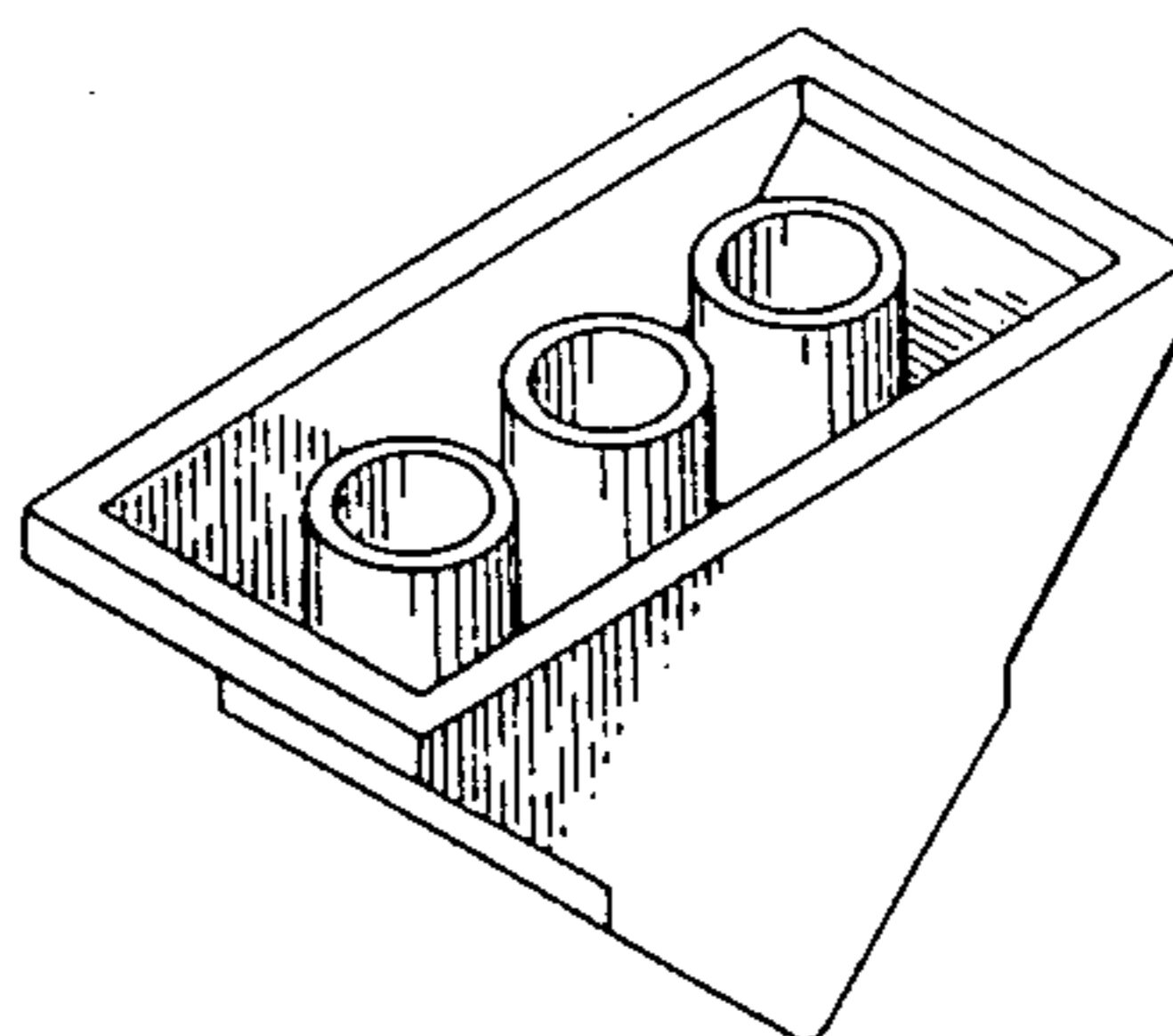
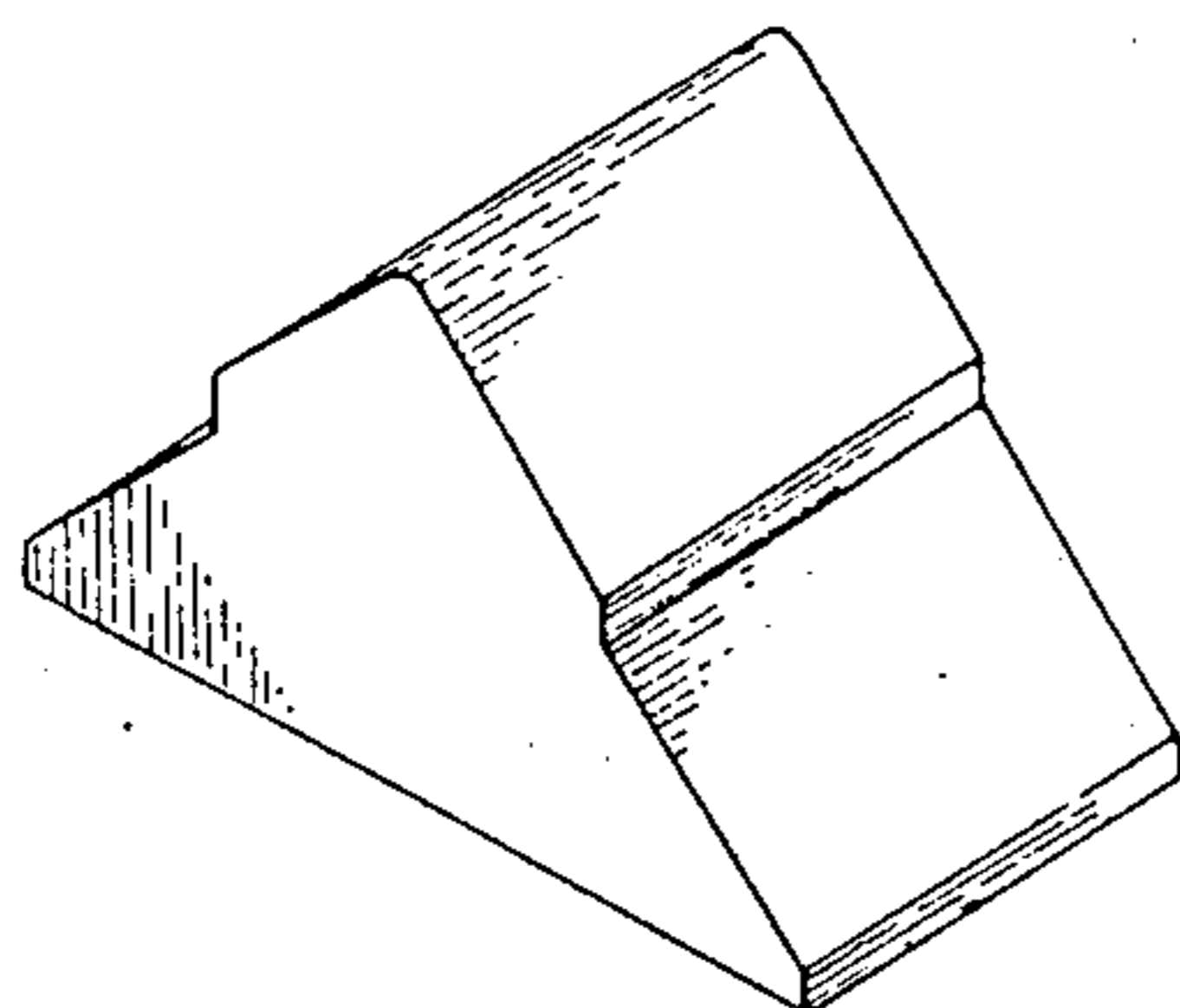
FIG. 2 is a bottom perspective view thereof;

FIG. 3 is a top plan view thereof;

FIG. 4 is a bottom plan view thereof;

FIG. 5 is a front elevational view thereof; the rear elevational view being identical, and

FIG. 6 is a side elevational view thereof; the side opposite being identical.



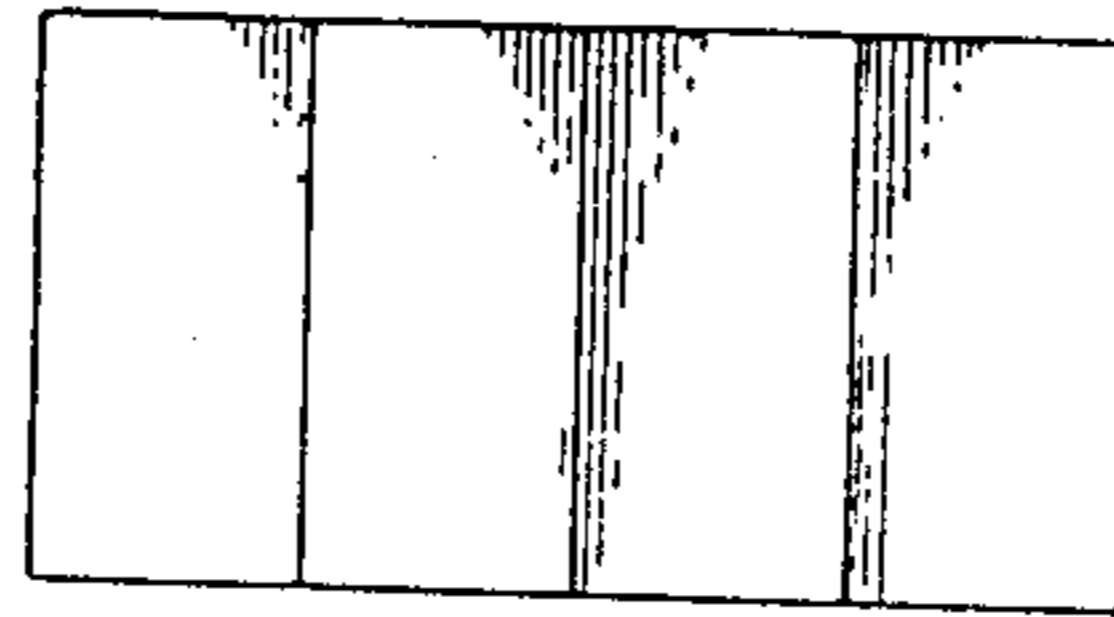
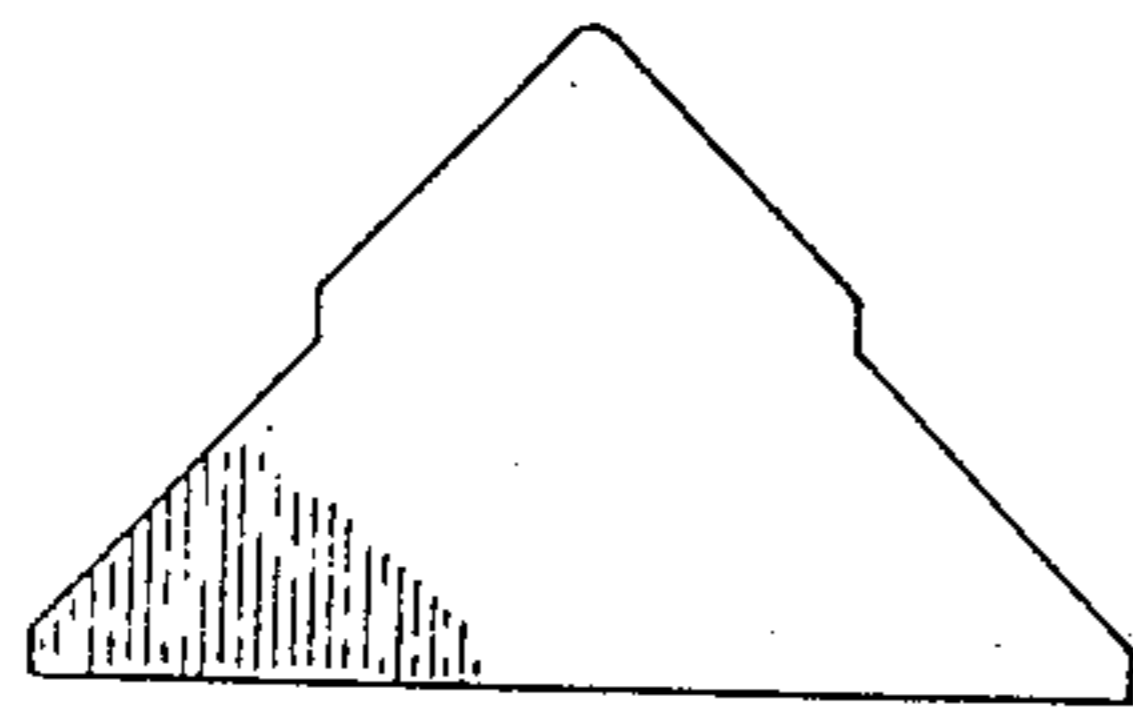
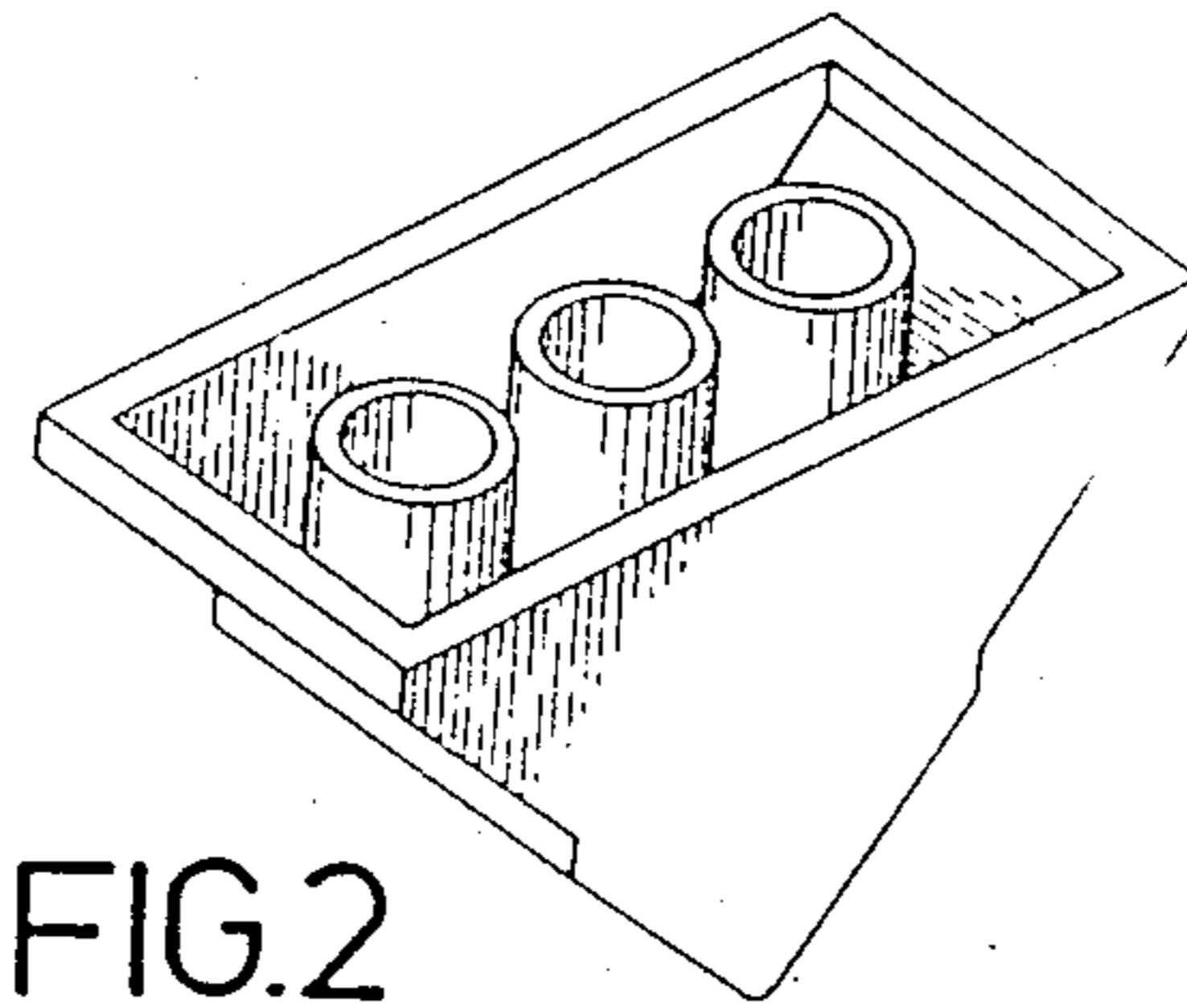
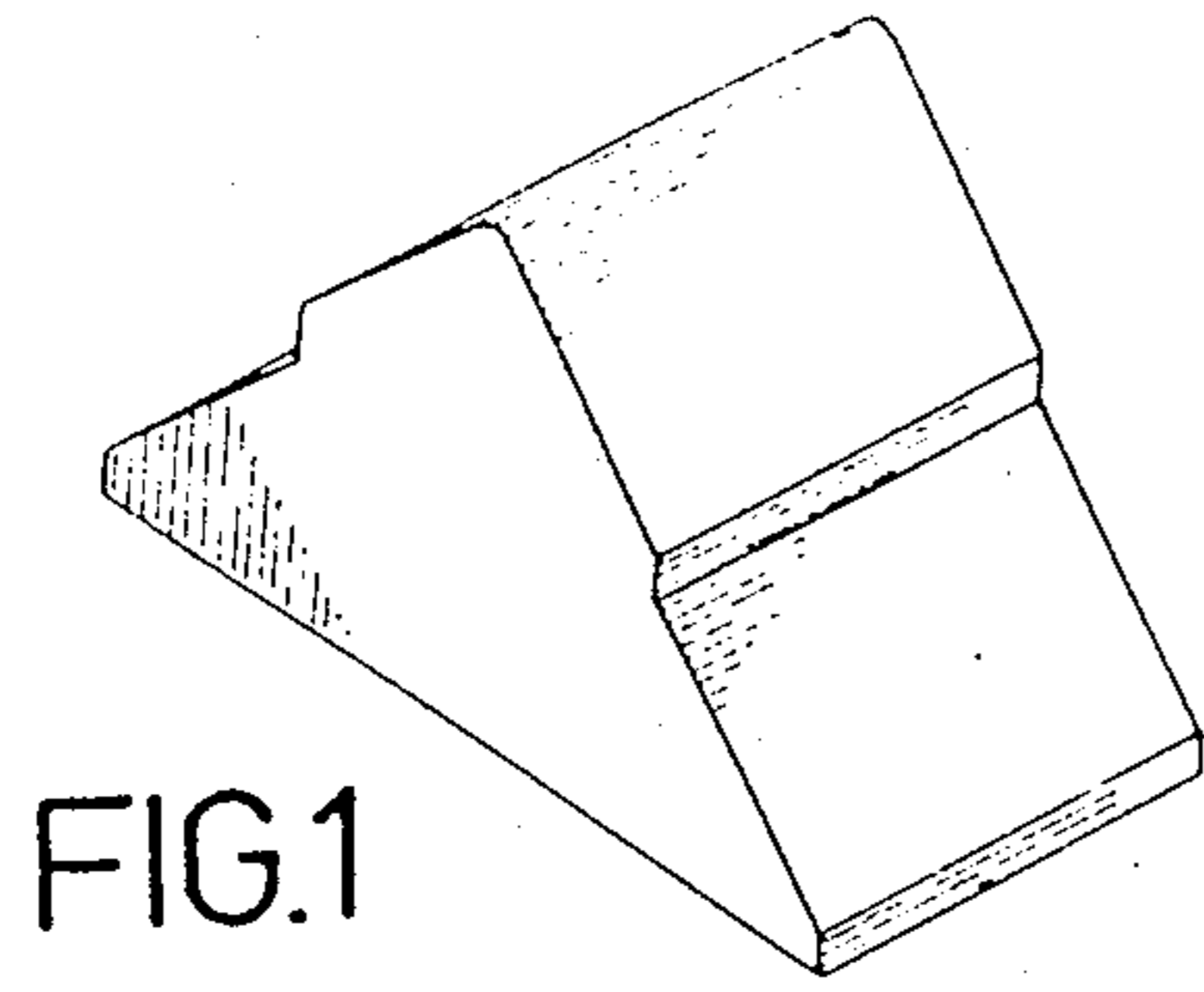


FIG. 5

FIG. 3

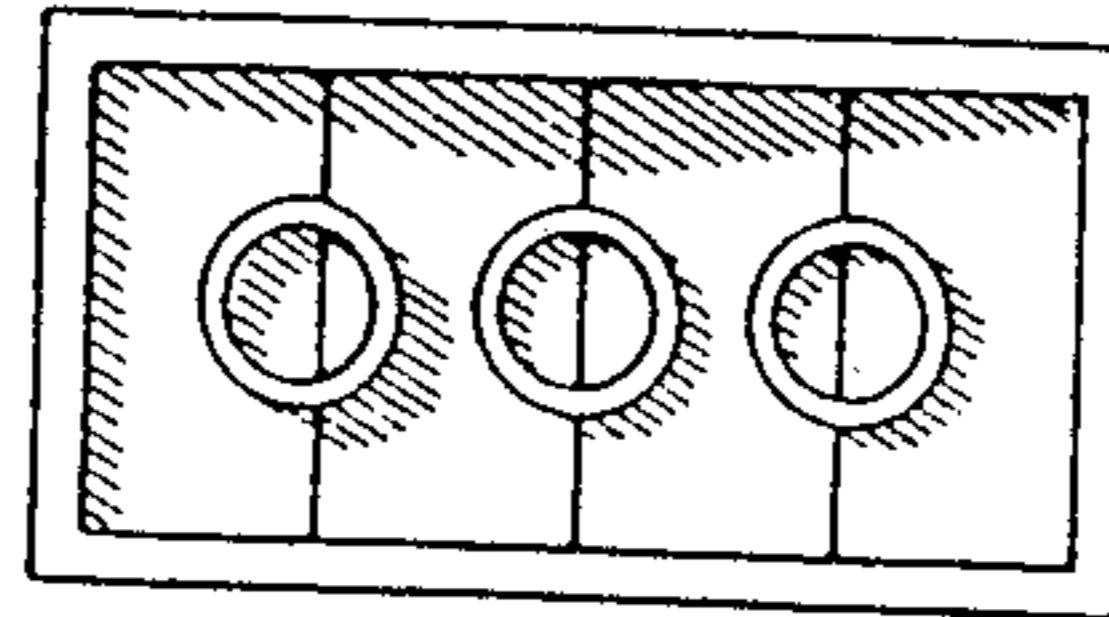
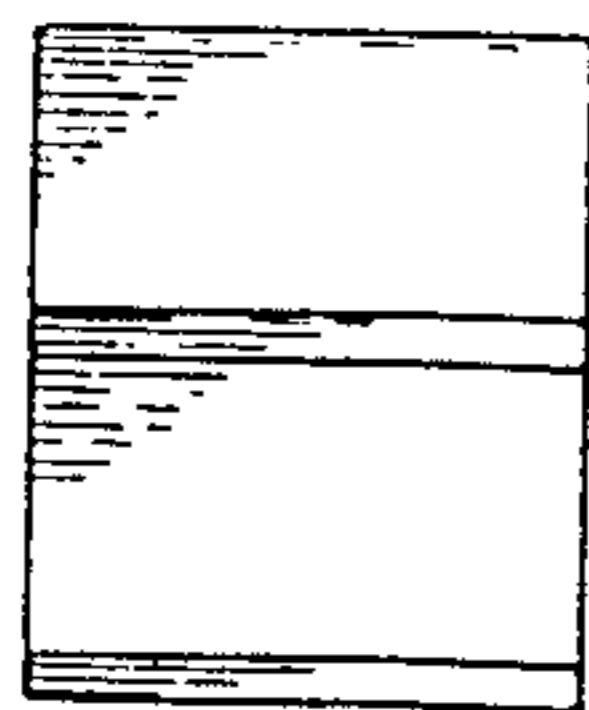


FIG. 6

FIG. 4