

[54] TOY CONSTRUCTION PIECE

[75] Inventor: Harry Erickson, Vancouver, Canada

[73] Assignee: Arlington-Hews, Inc., Richmond, Canada

[**] Term: 14 Years

[21] Appl. No.: 110,438

[22] Filed: Oct. 20, 1987

[30] Foreign Application Priority Data

Jul. 31, 1987 [CA] Canada 31-07-87-2

[52] U.S. Cl. D21/108

[58] Field of Search D21/108, 109, 114, 115, D21/141; 446/85, 103, 104, 121, 124, 125

[56] References Cited

U.S. PATENT DOCUMENTS

- 2,057,942 10/1936 Fay D21/108
- 2,776,521 1/1957 Zimmerman D21/108
- 3,271,895 9/1966 Sorensen 446/104
- 3,412,519 11/1968 Brettingen D21/108

FOREIGN PATENT DOCUMENTS

- 0198652 4/1986 European Pat. Off. 446/124
- 2534484 4/1984 France 446/104

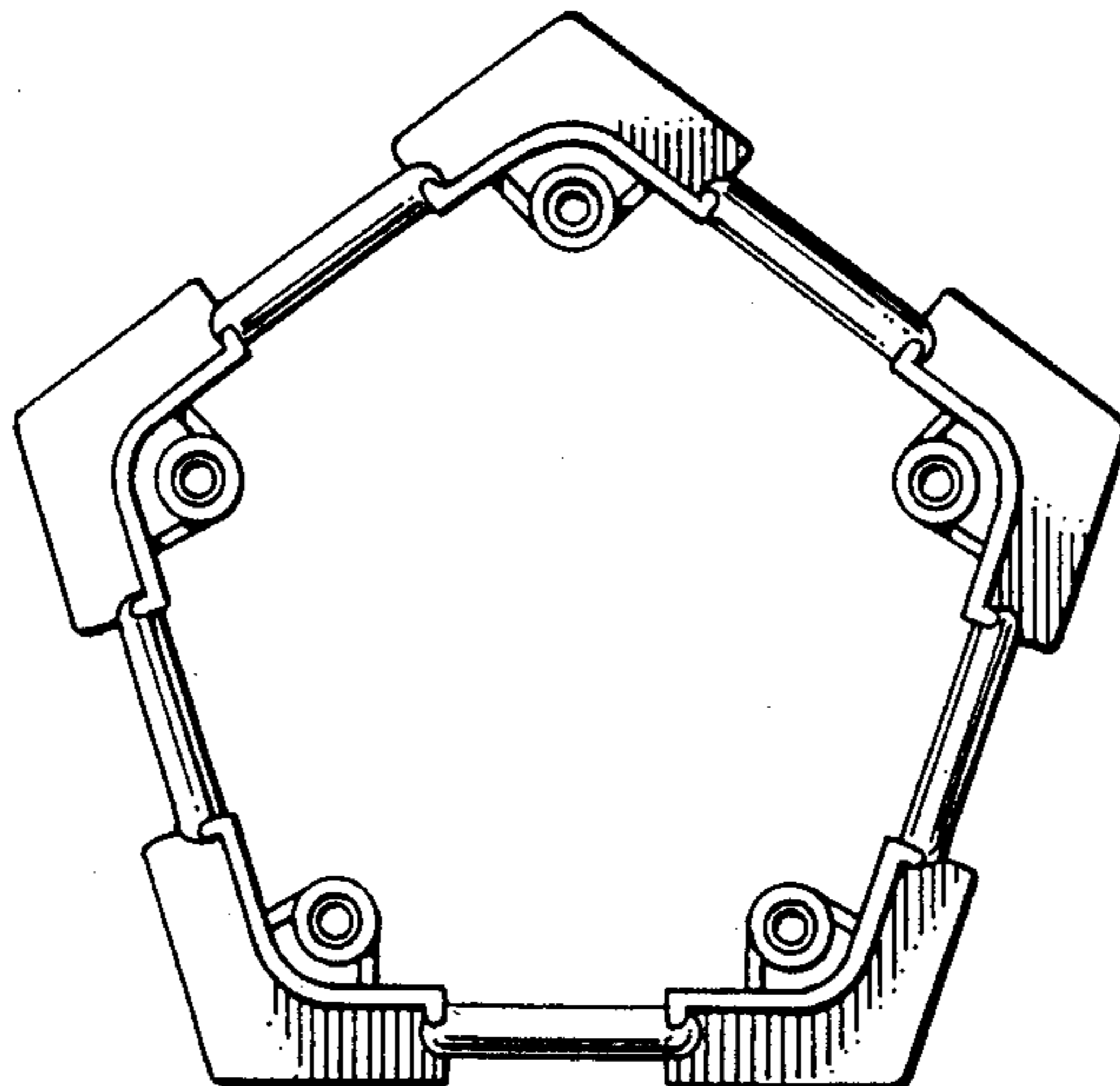
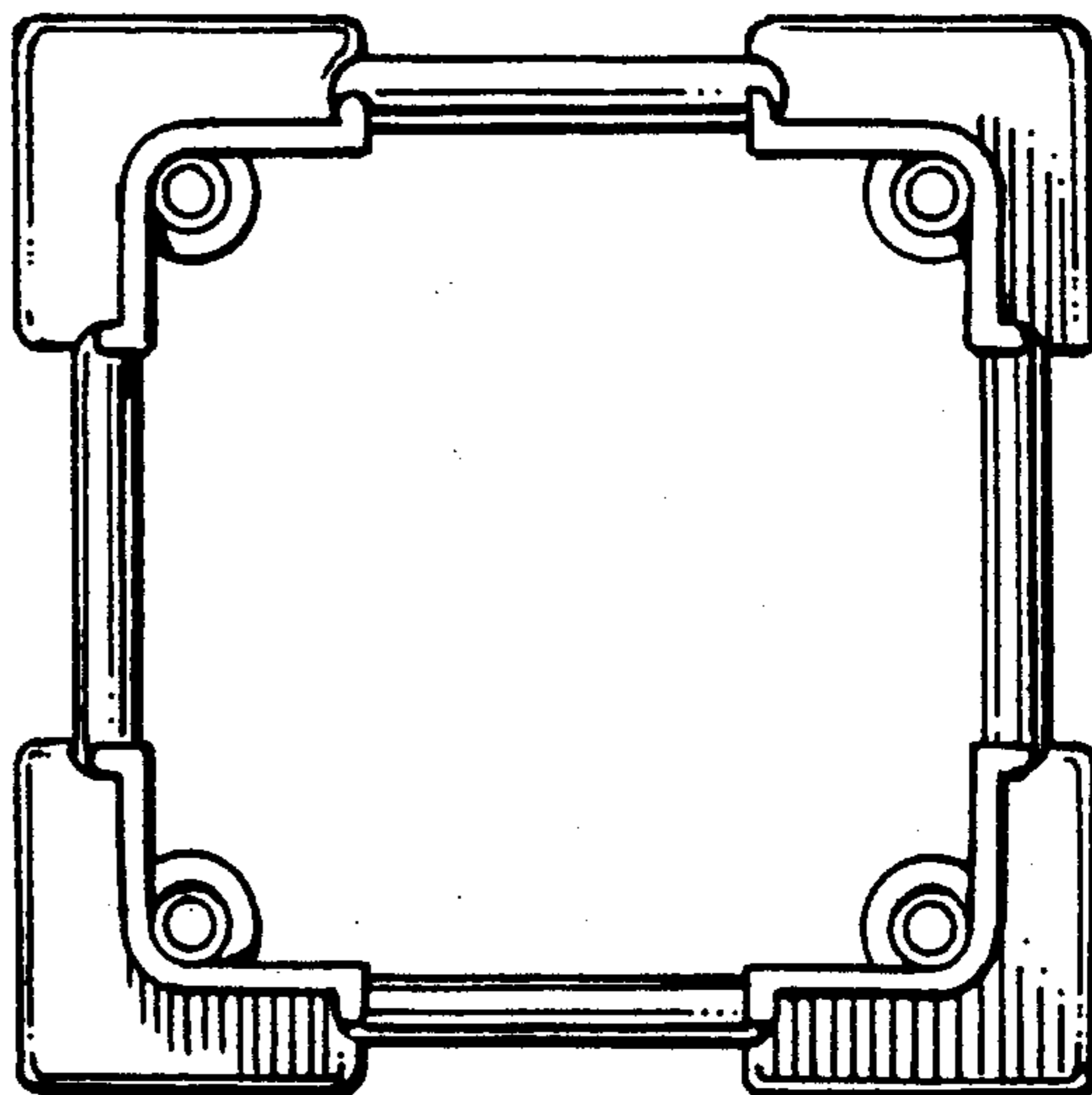
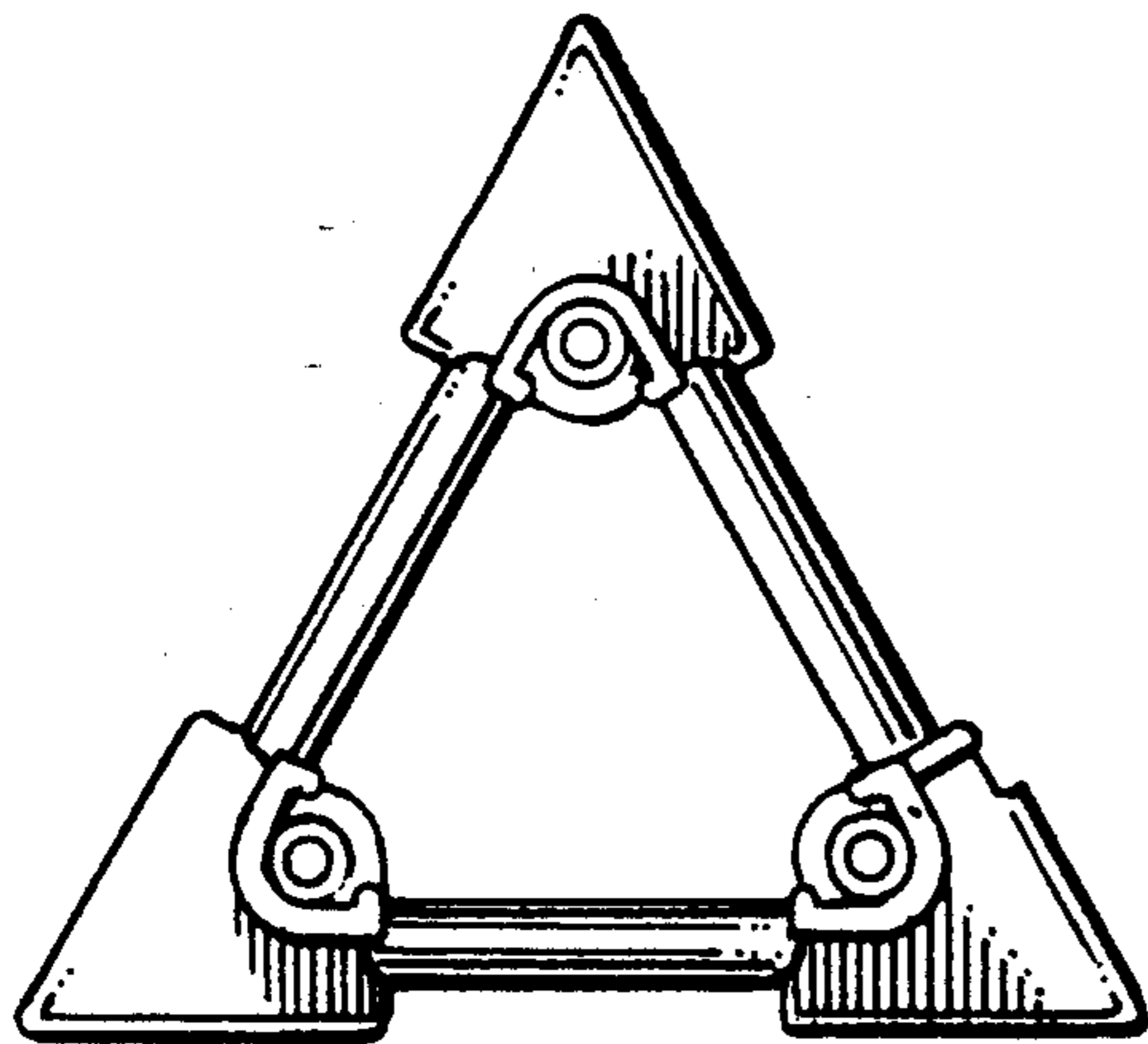
Primary Examiner—Charles A. Rademaker
Assistant Examiner—Alicia A. Farrell
Attorney, Agent, or Firm—Bull, Houser & Tupper

[57] CLAIM

The ornamental design for a toy construction piece, as shown and described.

DESCRIPTION

FIG. 1 is a top plan view of a toy construction piece showing my new design;
 FIG. 2 is a bottom plan view thereof;
 FIG. 3 is a front elevational view thereof;
 FIG. 4 is a side elevational view thereof, the side opposite being a mirror image;
 FIG. 5 is a rear elevational view thereof;
 FIG. 6 is a top plan view of a modified embodiment of the design shown in FIGS. 1 through 5;
 FIG. 7 is a side elevational view thereof, all sides being identical;
 FIG. 8 is a top plan view of a second embodiment of the design shown in FIGS. 1 through 5; and
 FIG. 9 is a side elevational view thereof, all sides being identical.



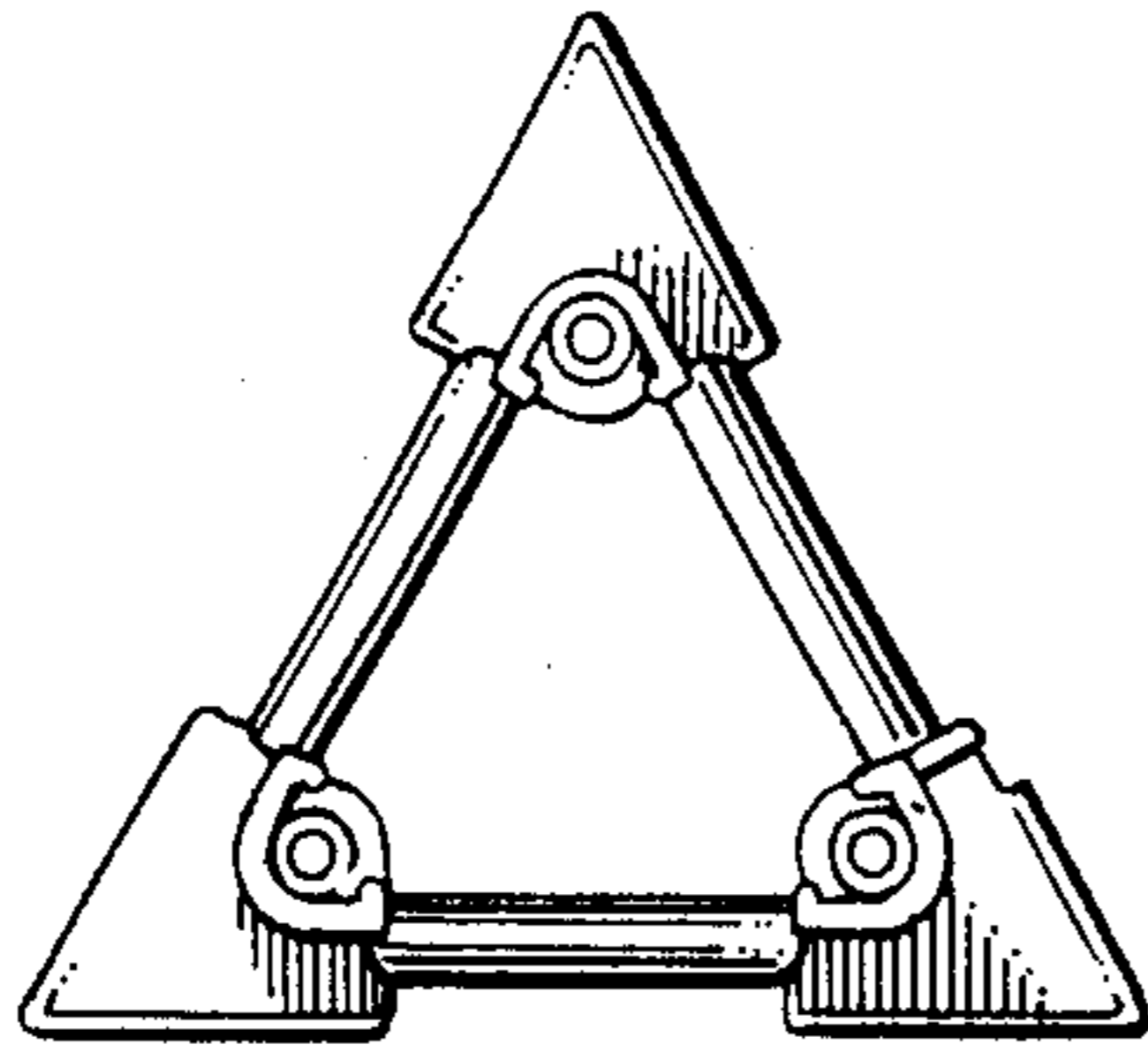


FIG. 1

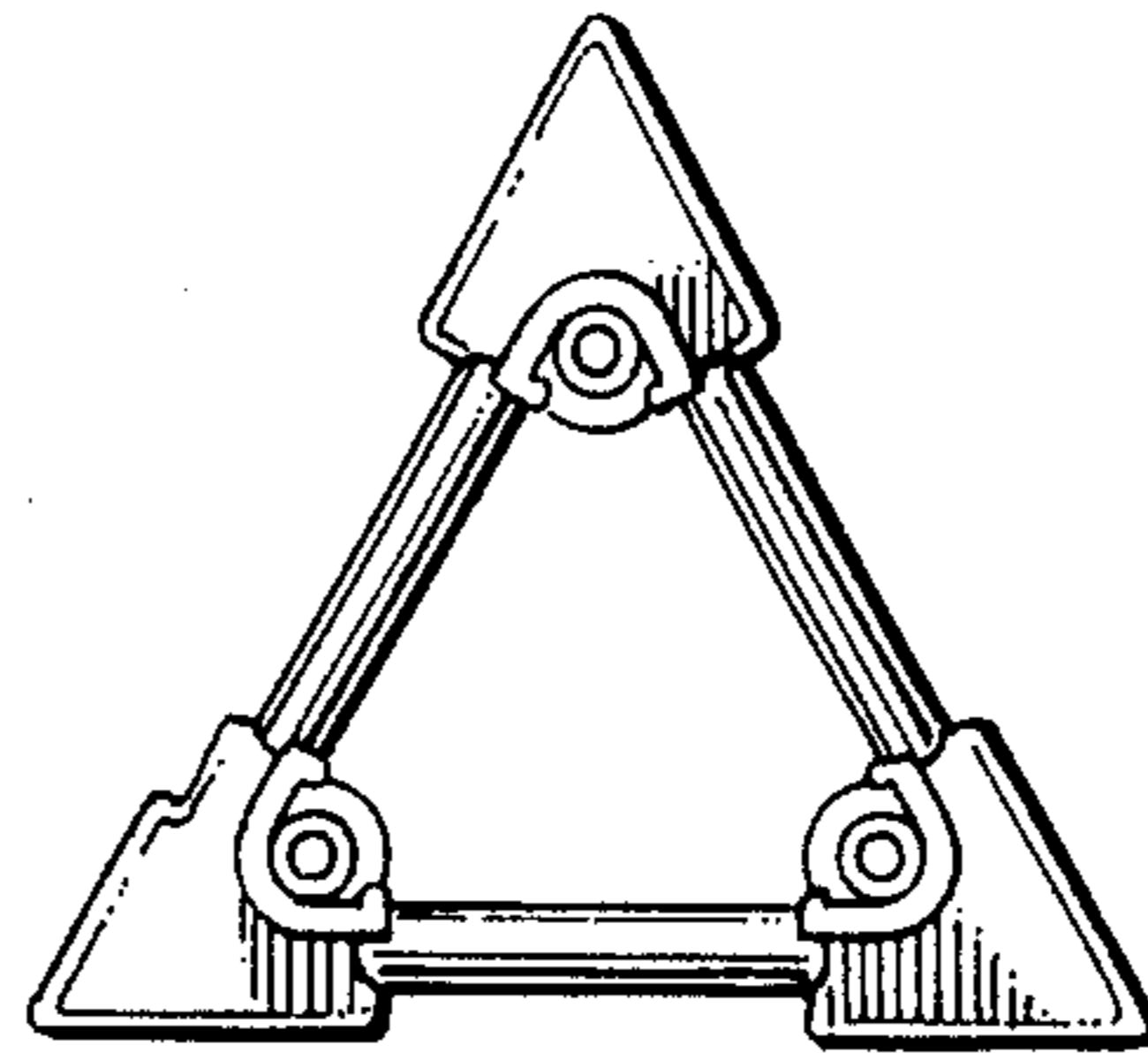


FIG. 2



FIG. 3

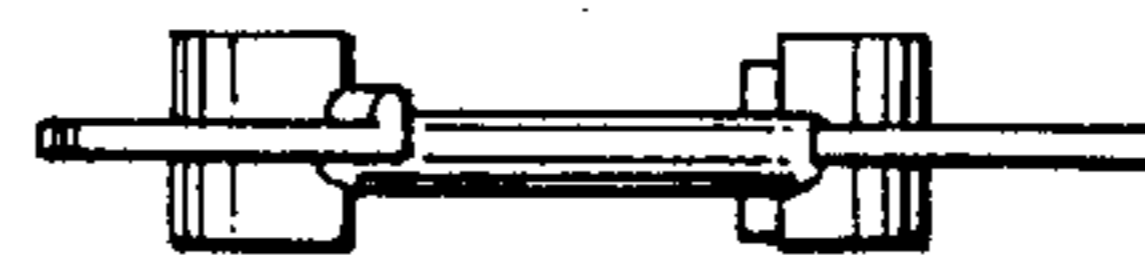


FIG. 4

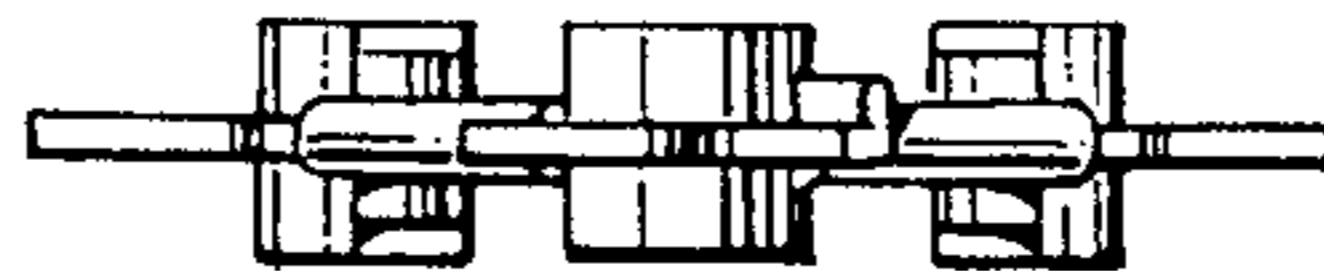


FIG. 5

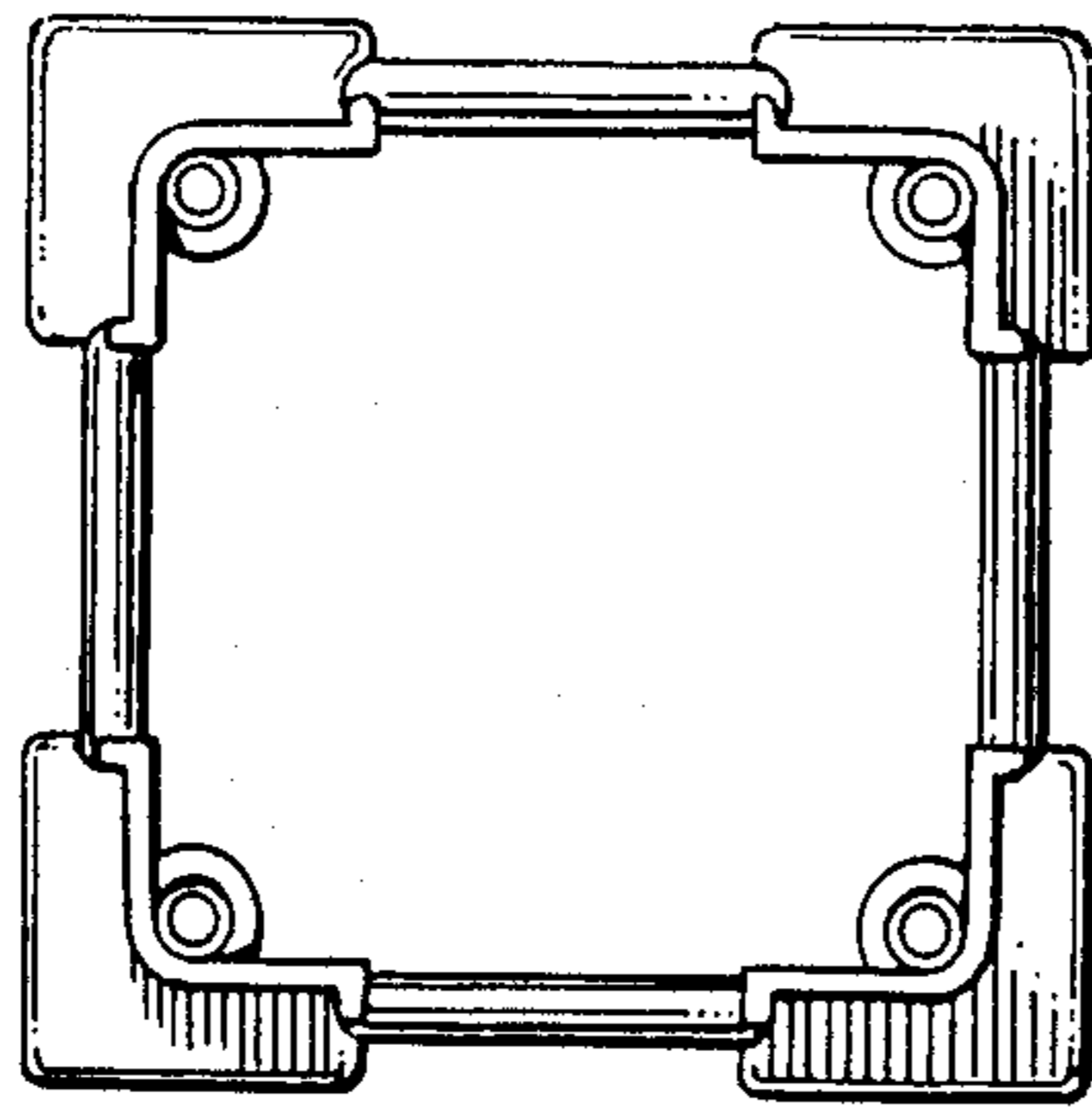


FIG. 6

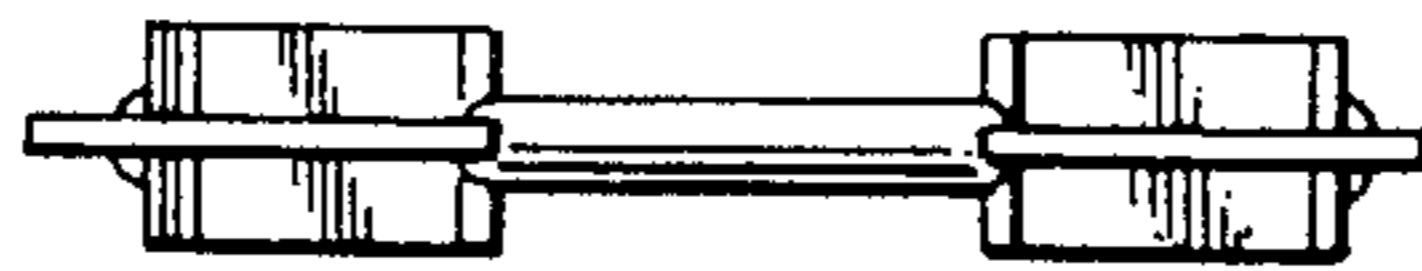


FIG. 7

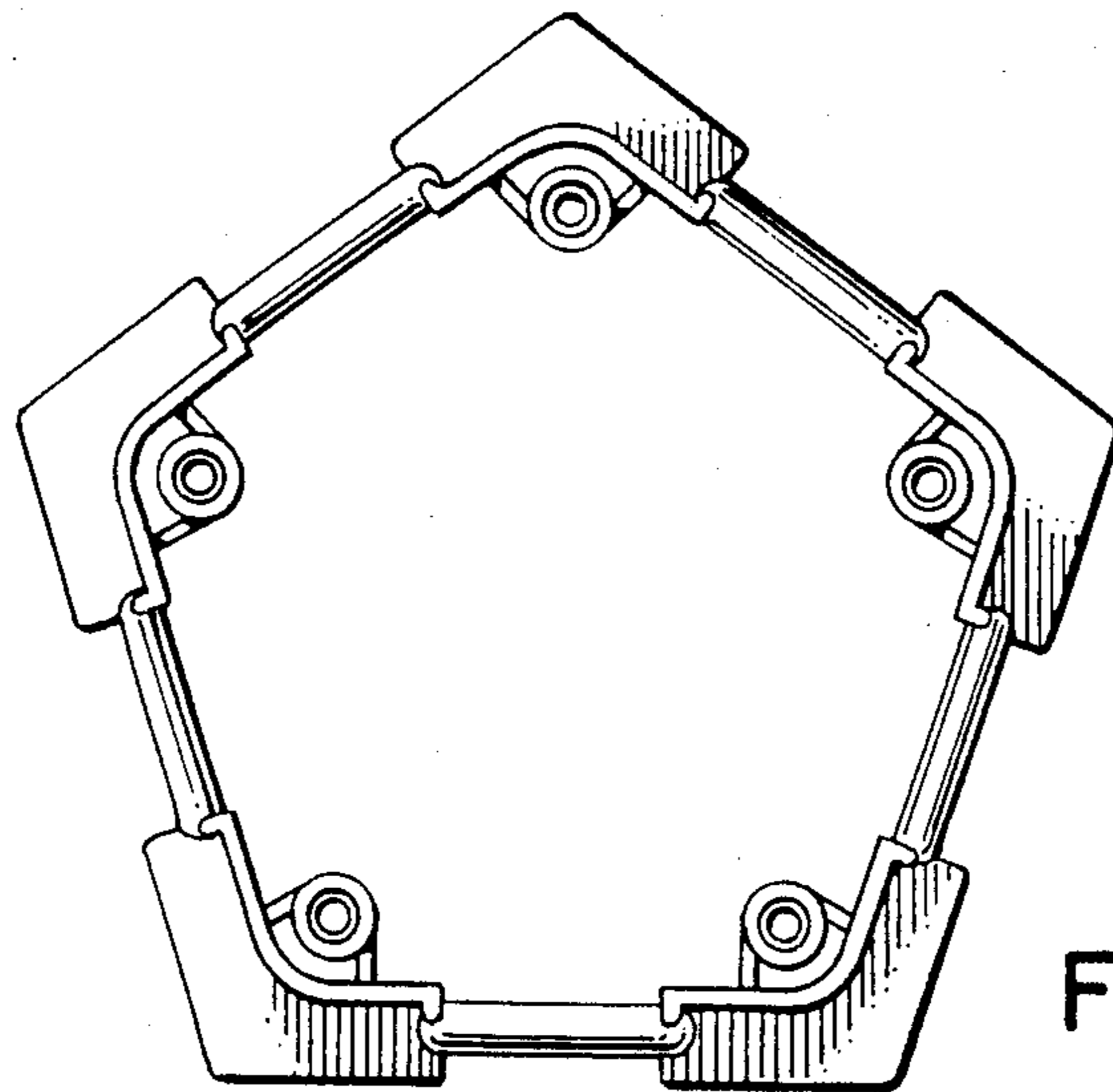


FIG. 8

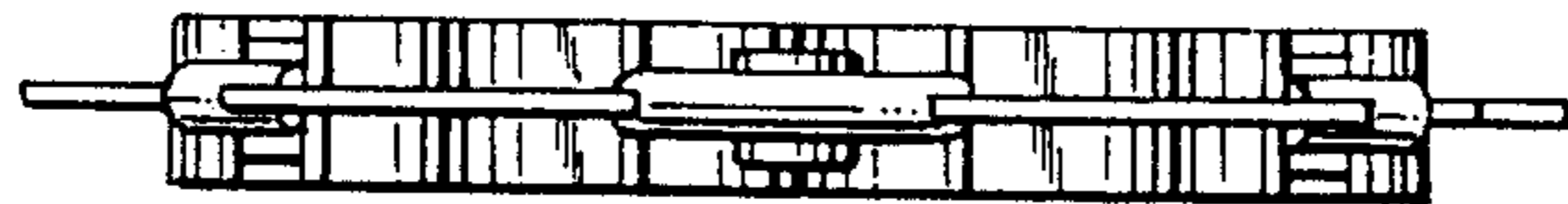


FIG. 9