

[54] ELECTRONIC APPARATUS HOUSING

3,711,101 1/1973 Breslow et al. 273/1 E X
4,394,018 7/1983 Orbanes et al. 273/1 E X
4,687,200 8/1987 Shirai 273/1 E X

[75] Inventor: Doric Fung, Quarry Bay, Hong Kong

[73] Assignee: Video Technology Industries, Inc.,
Wheeling, Ill.

[**] Term: 14 Years

[21] Appl. No.: 182,319

[22] Filed: Apr. 15, 1988

[30] Foreign Application Priority Data

Nov. 6, 1987 [GB] United Kingdom 1046112

[52] U.S. Cl. D21/13

[58] Field of Search D21/13, 142, 143;
273/85 G, 1 GC, 1 E, 237, DIG. 28

[56] References Cited

U.S. PATENT DOCUMENTS

D. 259,926 9/1979 Thompson et al. D21/13
D. 264,356 5/1982 Nagel D21/13
D. 265,407 7/1982 Hanzawa D21/13

OTHER PUBLICATIONS

Playthings 2/1981, p. 159, Space Chase.

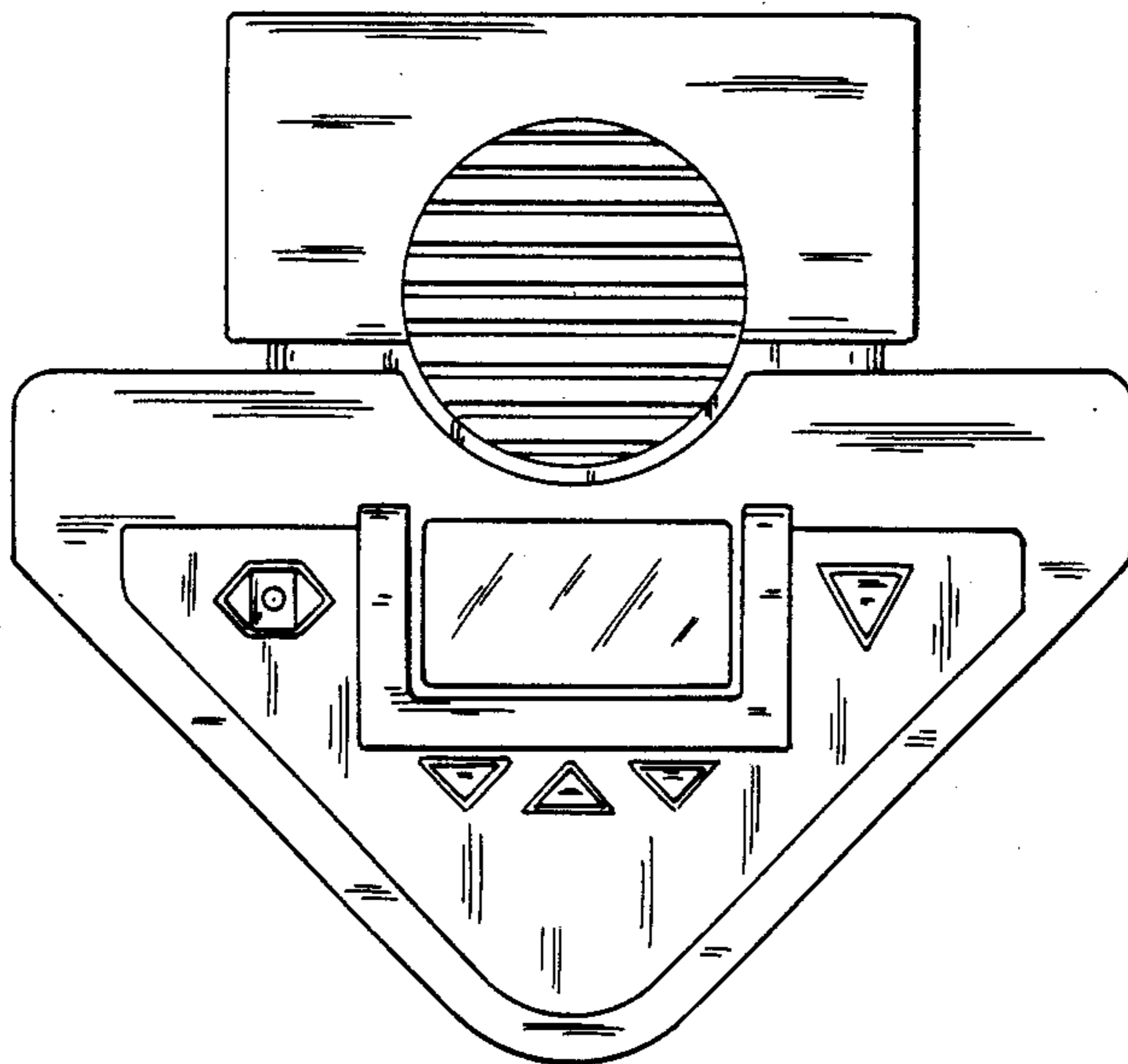
Primary Examiner—Bernard Ansher
Assistant Examiner—Prabhakar Deshmukh
Attorney, Agent, or Firm—Dick and Harris

[57] CLAIM

The ornamental design for an electronic apparatus housing, as shown and described.

DESCRIPTION

FIG. 1 is a top plan view of an electronics apparatus housing and showing my new design;
FIG. 2 is a left side elevational view thereof;
FIG. 3 is a right side elevational view thereof;
FIG. 4 is a rear elevational view thereof;
FIG. 5 is a front elevational view thereof; and
FIG. 6 is a bottom plan view thereof.



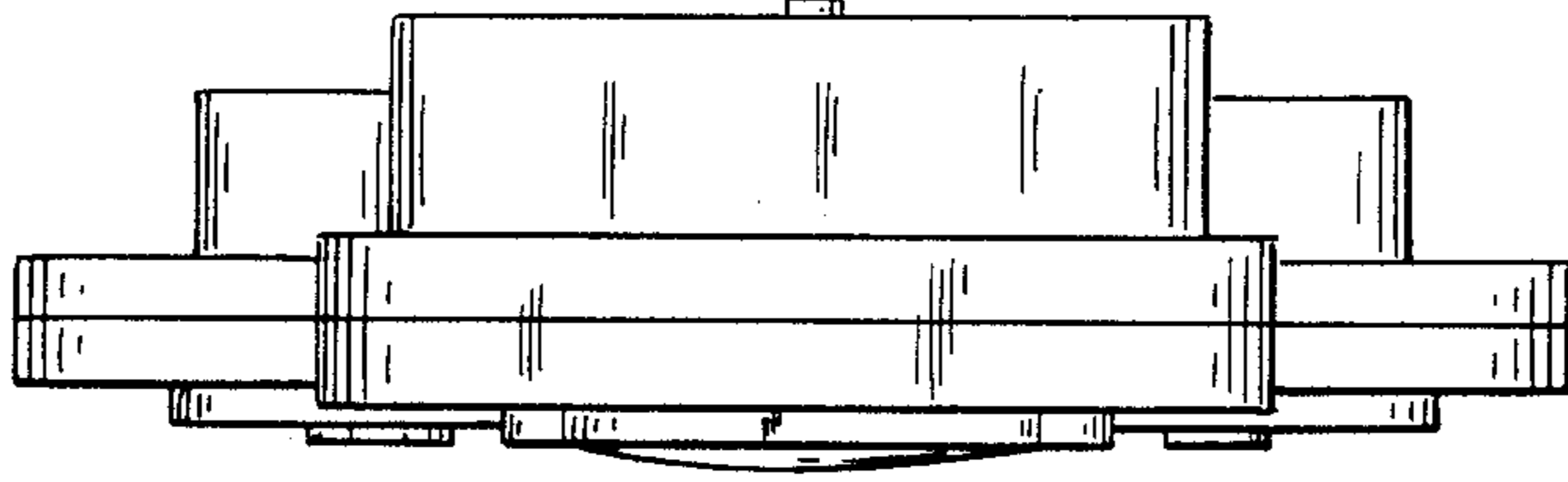


FIG. 4

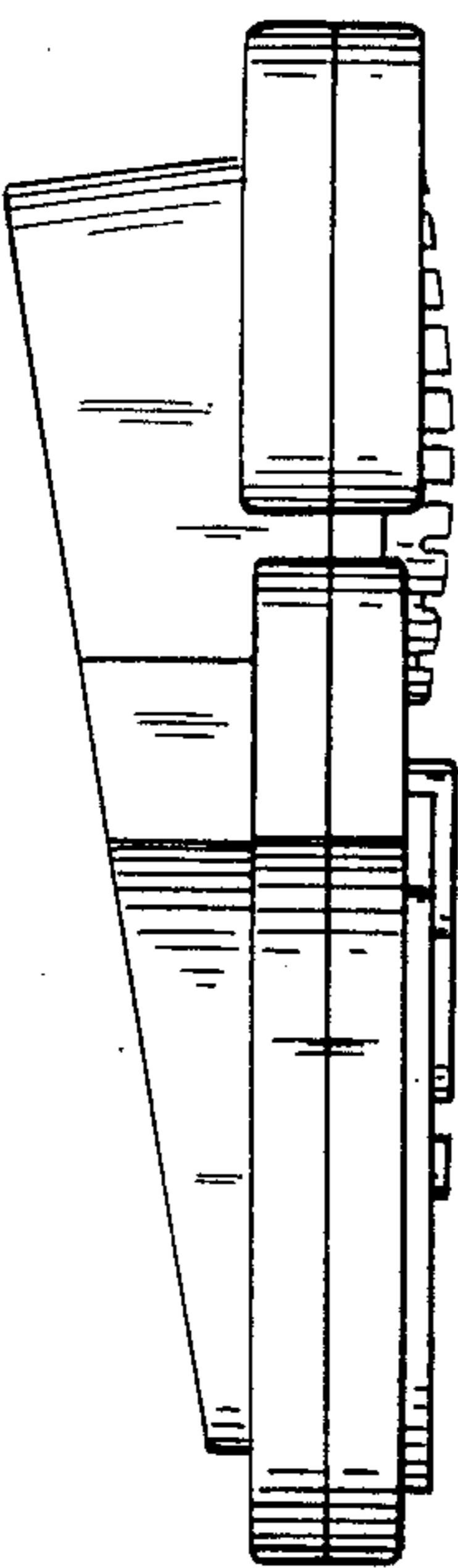


FIG. 2

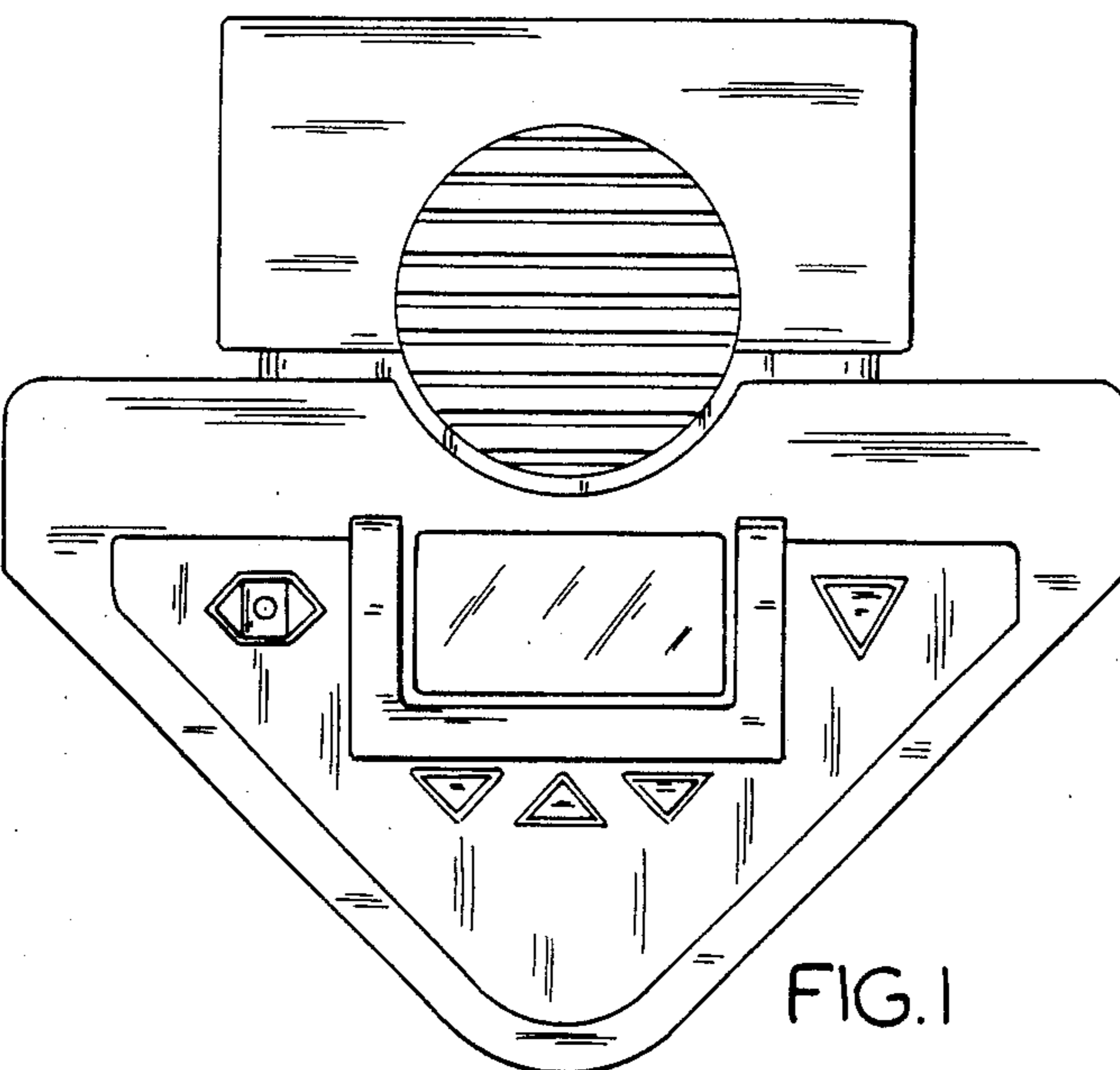


FIG. 1

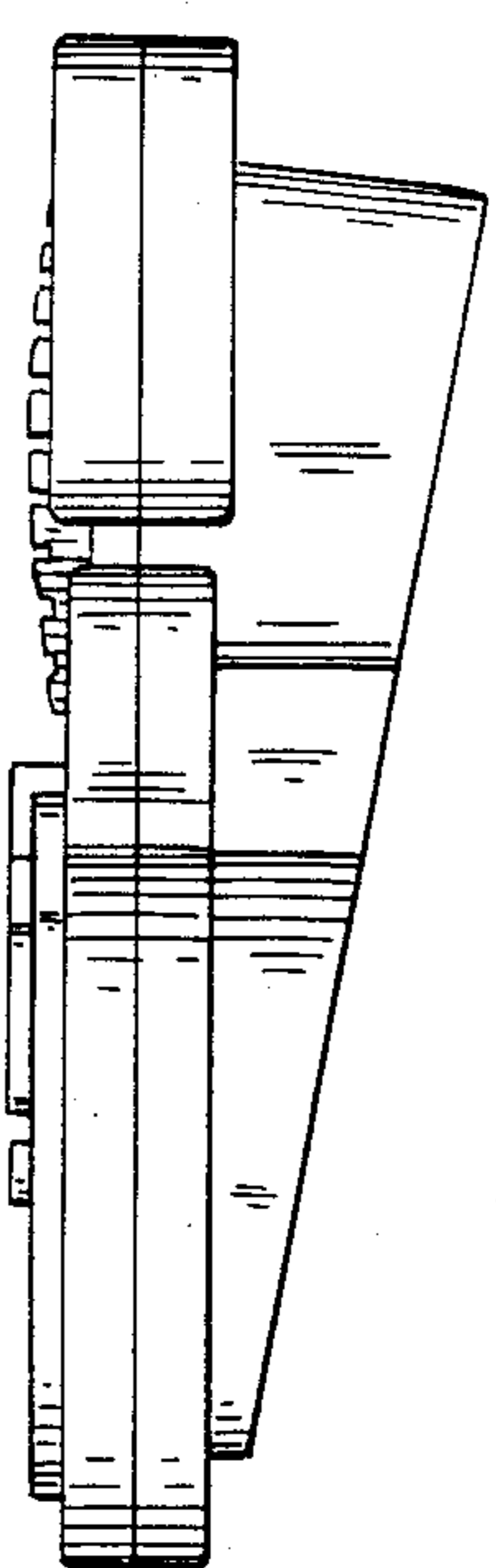


FIG. 3

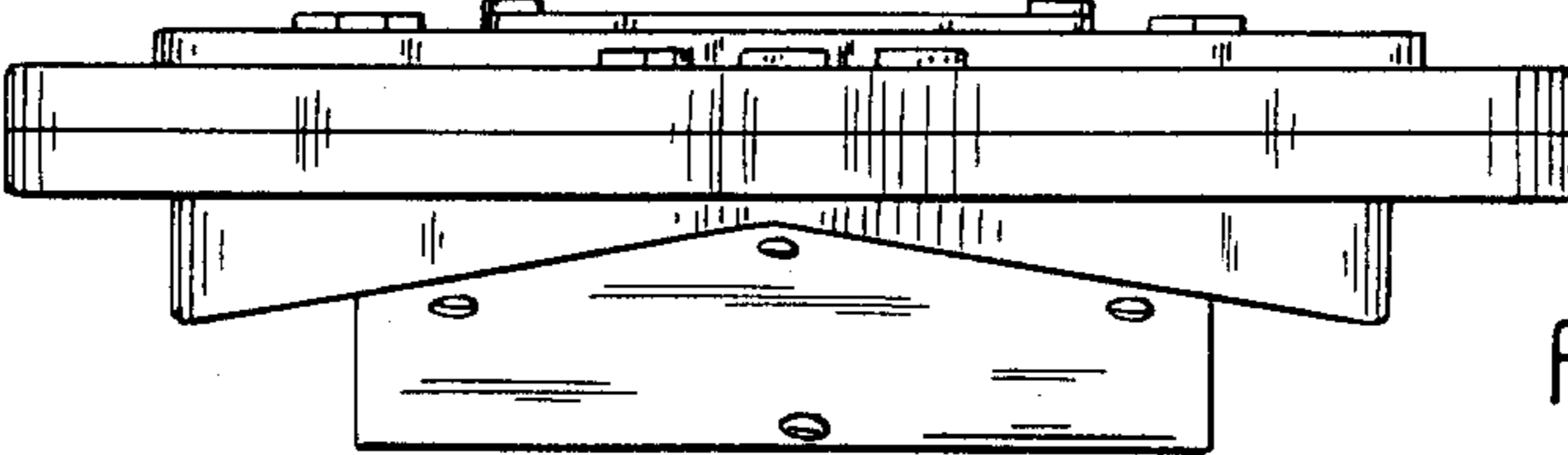


FIG. 5

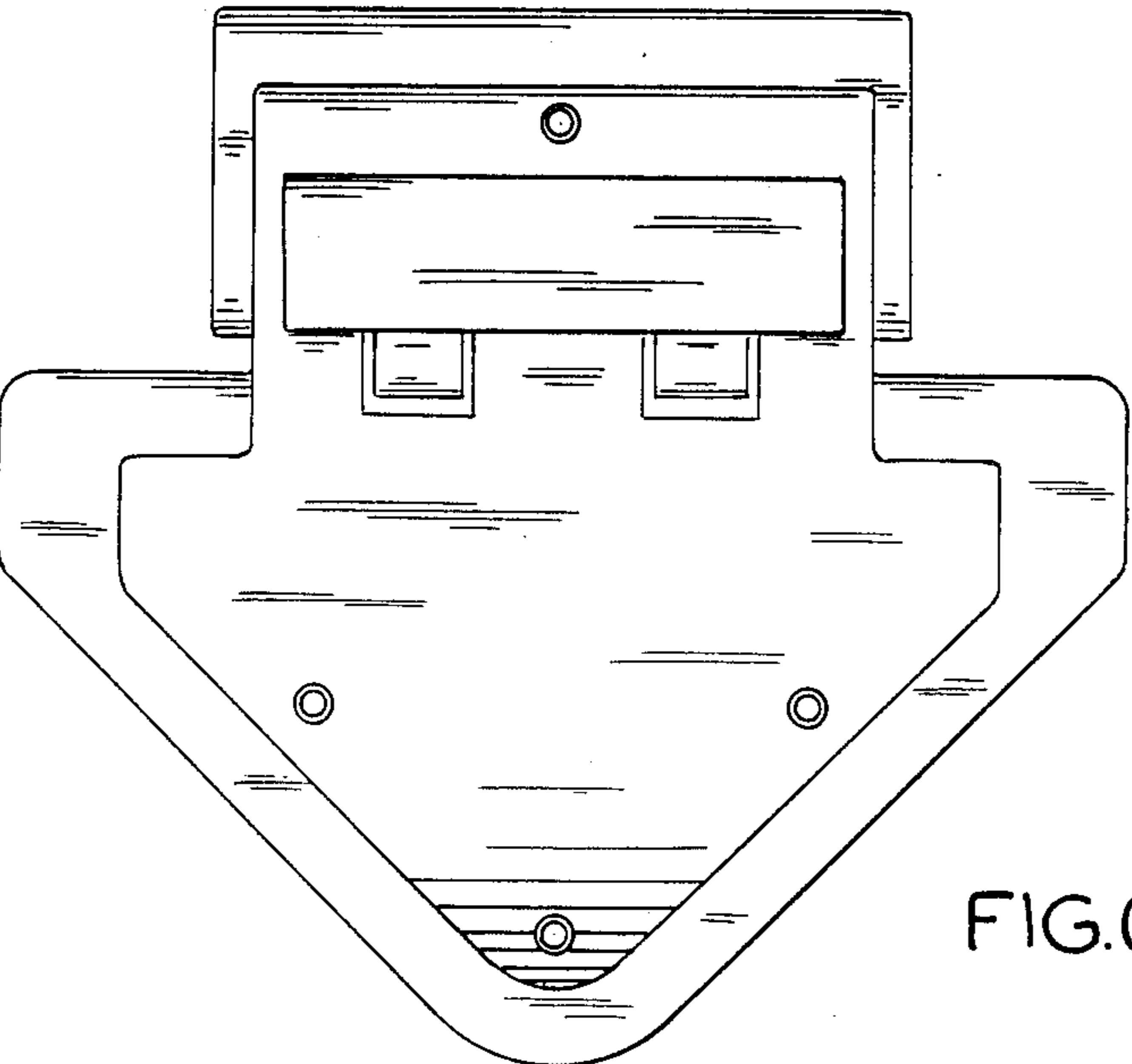


FIG. 6