

United States Patent [19]

Ingvartsen et al.

[11] Patent Number: Des. 313,432

[45] Date of Patent: ** Jan. 1, 1991

[54] PRODUCT MARKETING SIGN
[75] Inventors: Peder H. Ingvartsen; Bent Jensen; Erling K. Morgensen, all of Middlefart; Berno H. Jensen, Tommerup, all of Denmark

[73] Assignees: VariantSystemet International a-s, Middlefart; Container Centralen A.m.b.A., Odense C, both of Denmark

[**] Term: 14 Years

[21] Appl. No.: 110,952

[22] Filed: Oct. 20, 1987

[30] Foreign Application Priority Data

Apr. 22, 1987 [DK] Denmark MA 0449 1987

[52] U.S. Cl. D20/43

[58] Field of Search D20/10, 12, 43; 40/606, 40/607, 608, 620, 16, 20, 21, 302, 304, 313, 316, 603, 604, 605

[56] References Cited

U.S. PATENT DOCUMENTS

- 664,062 12/1900 Smith .
- 670,099 3/1901 Bing et al. .
- 749,035 1/1904 Davis .
- 834,587 10/1906 Moyer .

- 1,820,595 8/1931 Brooks .
- 1,822,390 9/1931 Brooks .
- 2,177,497 10/1939 Nask 40/604
- 3,950,874 4/1976 Diggs 40/606
- 4,246,712 1/1981 Vander Wall .
- 4,292,751 10/1981 Snyder, Jr. 40/604

FOREIGN PATENT DOCUMENTS

- 2025856 1/1980 United Kingdom .
- 2042424 9/1980 United Kingdom .
- 2134046 8/1984 United Kingdom .
- 2154952 9/1985 United Kingdom .

Primary Examiner—Wallace R. Burke
Assistant Examiner—Marcus Jackson
Attorney, Agent, or Firm—Christie, Parker & Hale

[57] CLAIM

The ornamental design for product marketing sign, as shown and described.

DESCRIPTION

FIG. 1 is a perspective view of a product marketing sign showing my new design, with the article shown in assembled condition;
FIG. 2 is a perspective view thereof, with the article shown in a half open condition;
FIG. 3 is a right side elevational view thereof, with the article shown in open condition;
FIG. 4 is a top plan view thereof; and
FIG. 5 is a rear elevational view thereof.

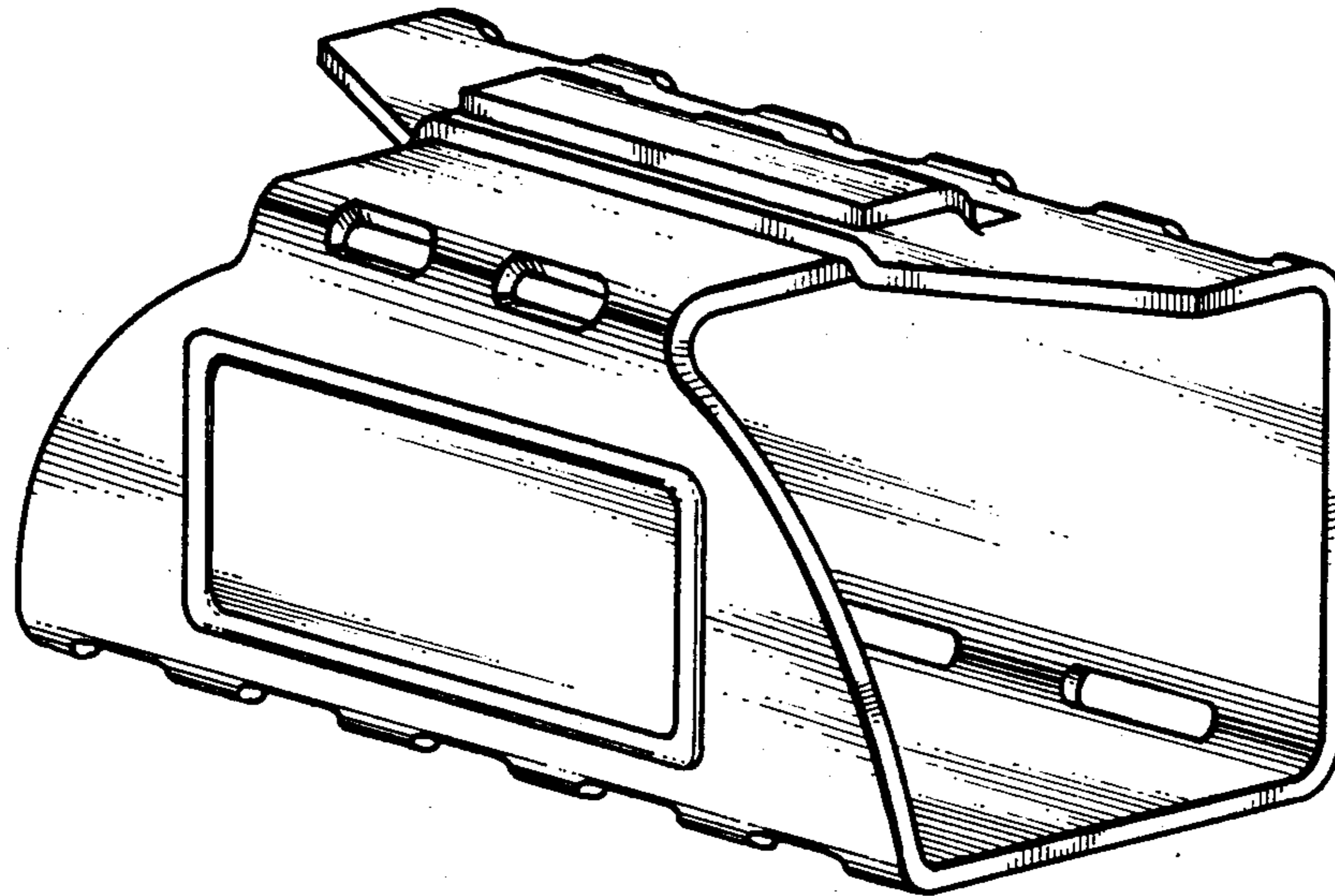


Fig 1

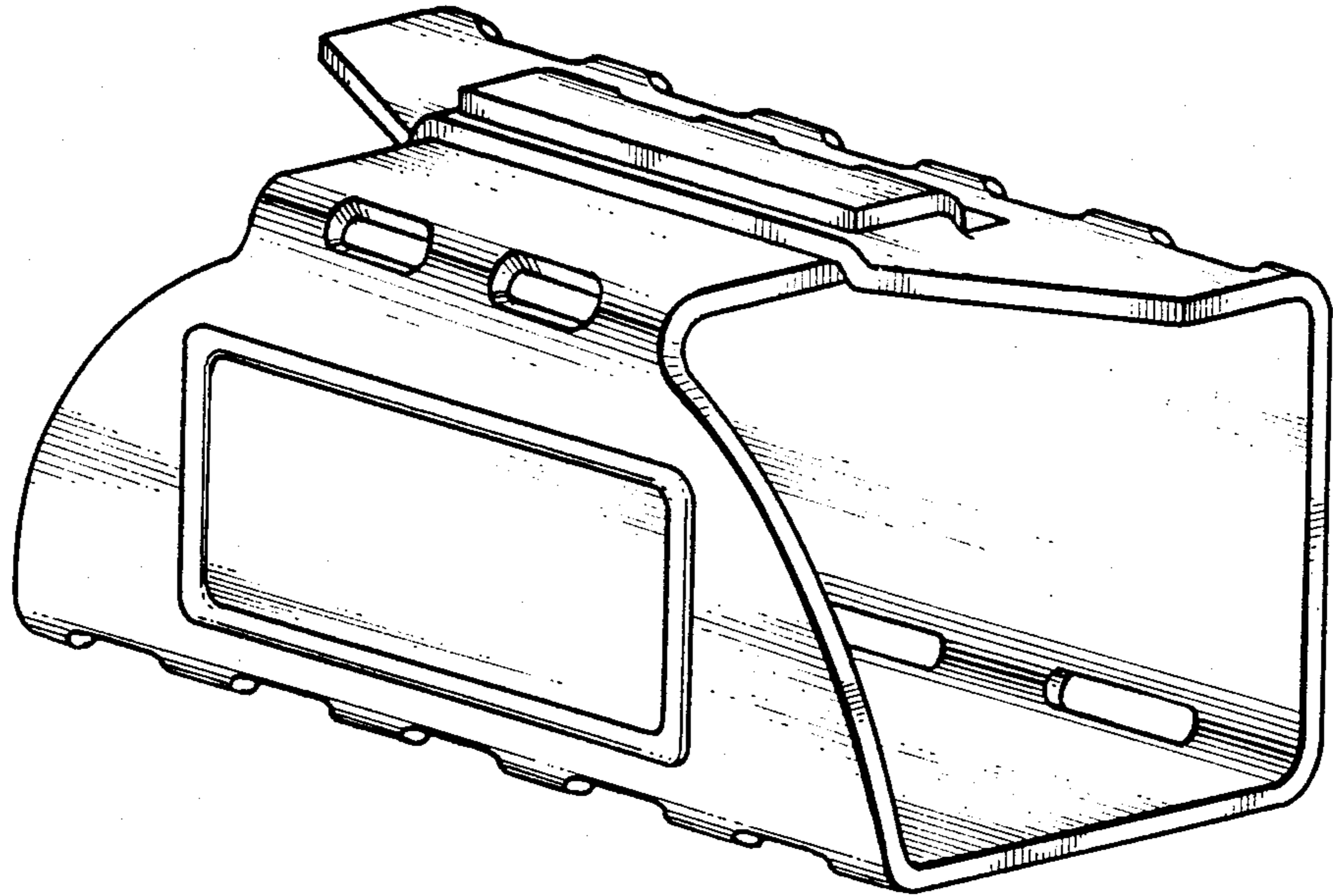


Fig 2

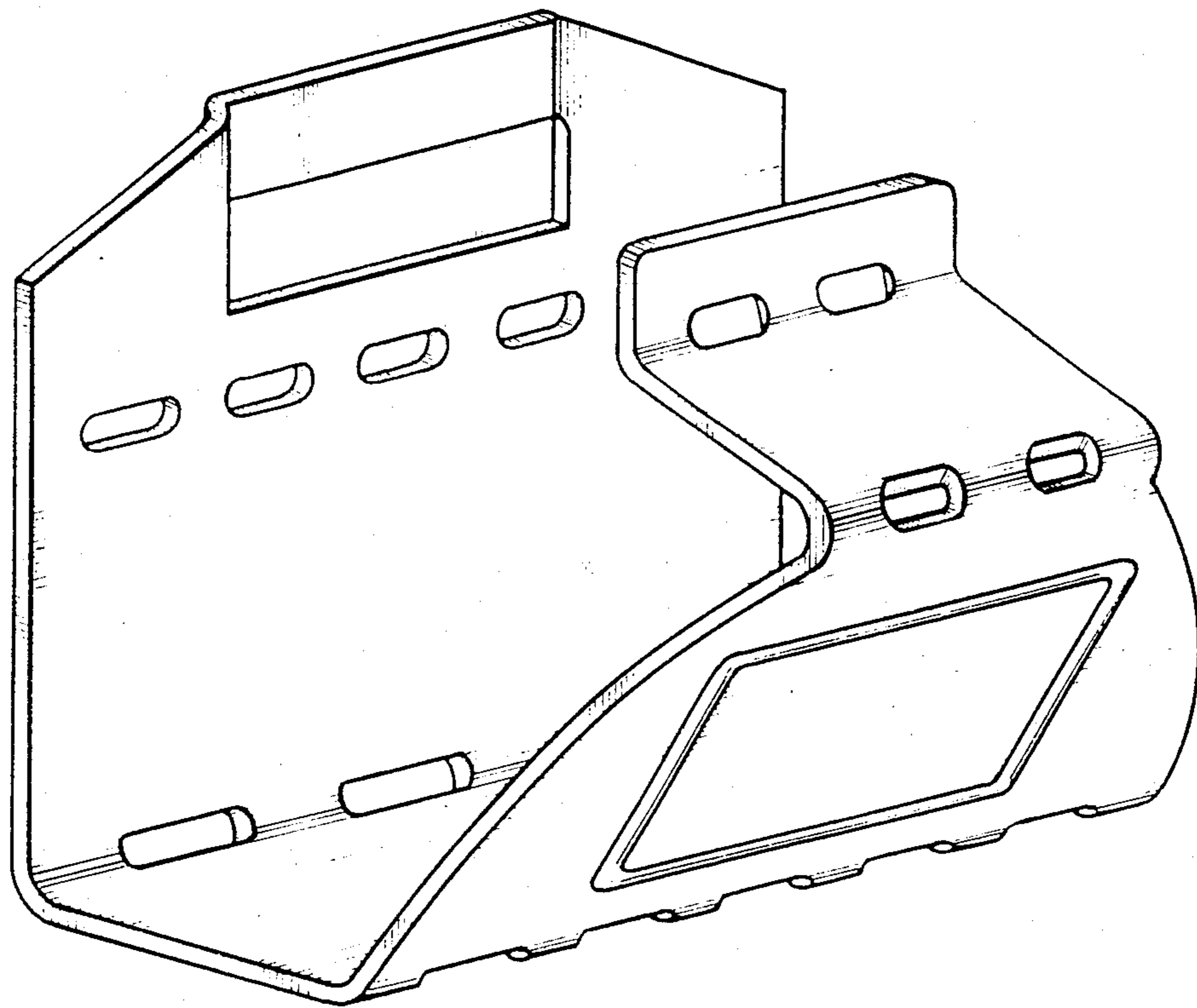


Fig 4

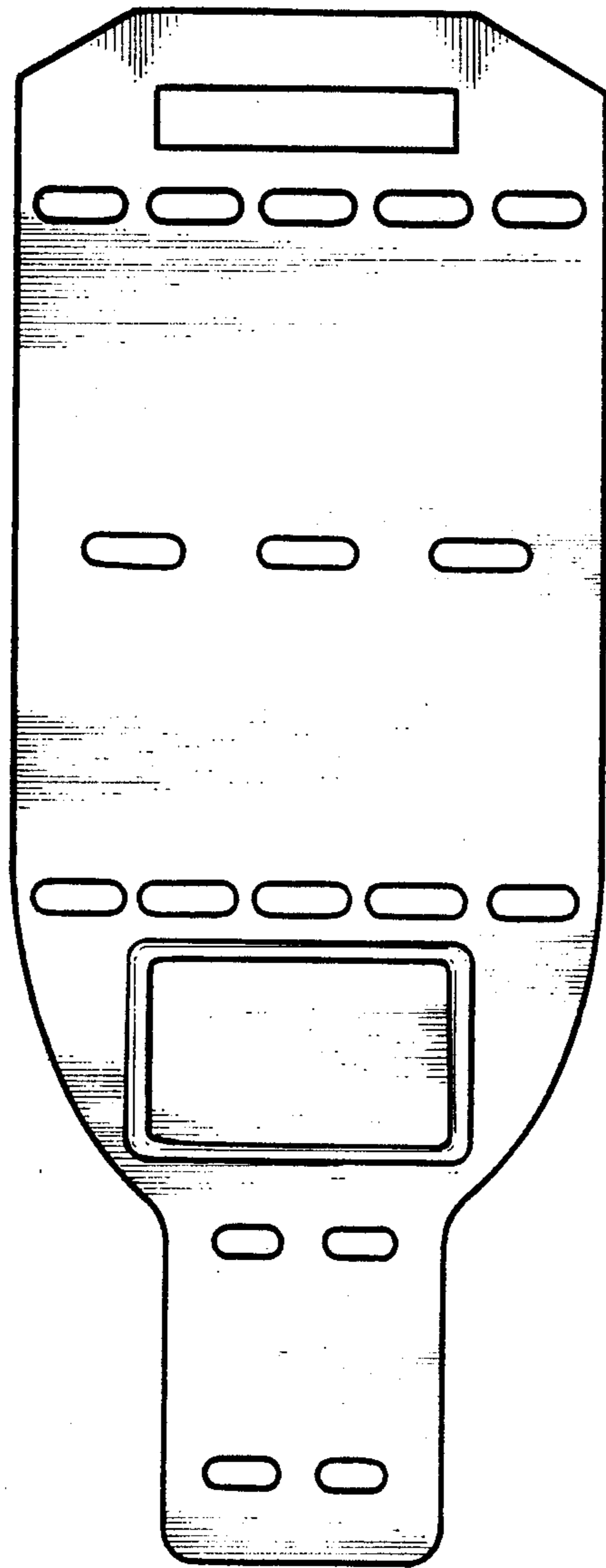


Fig 3



Fig 5



UNITED STATES PATENT AND TRADEMARK OFFICE
CERTIFICATE OF CORRECTION

PATENT NO. : Des. 313,432

DATED : January 1, 1991

INVENTOR(S) : Peder H. Ingvarstsen; Bent Jensen;
Erling K. Morgensen; Berno H. Jensen

It is certified that error appears in the above-identified patent and that said Letters Patent is hereby corrected as shown below:

ON TITLE PAGE:

[56]. References Cited, insert -- 3,535,810 - Baehrle, Jr. --

**Signed and Sealed this
Tenth Day of March, 1992**

Attest:

HARRY F. MANBECK, JR.

Attesting Officer

Commissioner of Patents and Trademarks