

United States Patent [19]

Evenson

[11] Patent Number: **Des. 313,430**

[45] Date of Patent: **** Jan. 1, 1991**

[54] **DIAGONAL SORTER**

[75] Inventor: **Mel Evenson, San Pedro, Calif.**

[73] Assignee: **Eldon Industries, Inglewood, Calif.**

[**] Term: **14 Years**

[21] Appl. No.: **5,427**

[22] Filed: **Jan. 16, 1987**

[52] U.S. Cl. **D19/90; D19/86; D19/95**

[58] Field of Search **D19/65, 75, 78, 86, D19/90, 91, 95, 99, 100; 211/10, 11, 50**

[56] **References Cited**

U.S. PATENT DOCUMENTS

D. 55,077	5/1920	Page	D19/90
D. 129,374	9/1941	Guild	D19/90
D. 202,315	9/1965	Tucker	D19/90

D. 215,897	1/1969	Aydelotte	D19/90
D. 250,960	1/1979	Bitner, Jr. et al.	D19/90
D. 268,119	3/1983	Evenson	D19/90 X

Primary Examiner—Bruce W. Dunkins
Assistant Examiner—Martha Thompson
Attorney, Agent, or Firm—Price, Gell & Ubell

[57] **CLAIM**

The ornamental design for a diagonal sorter, as shown and described.

DESCRIPTION

FIG. 1 is a front elevational view of a diagonal sorter showing my new design;
FIG. 2 is a top plan view thereof;
FIG. 3 is a bottom plan view thereof;
FIG. 4 is a right side elevational view thereof, with the left side being a mirror image; and
FIG. 5 is a front perspective view of my design on an enlarged scale;

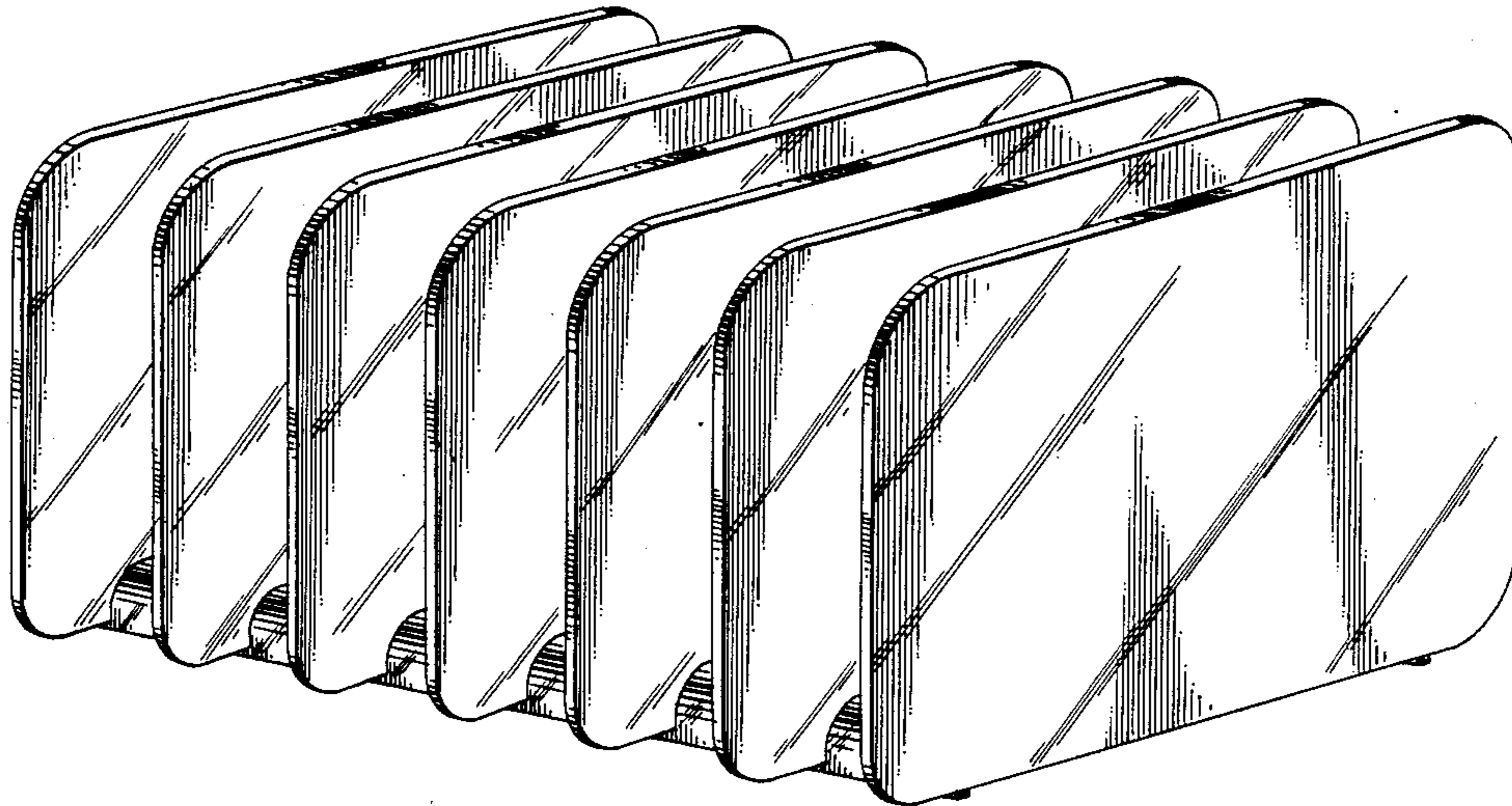
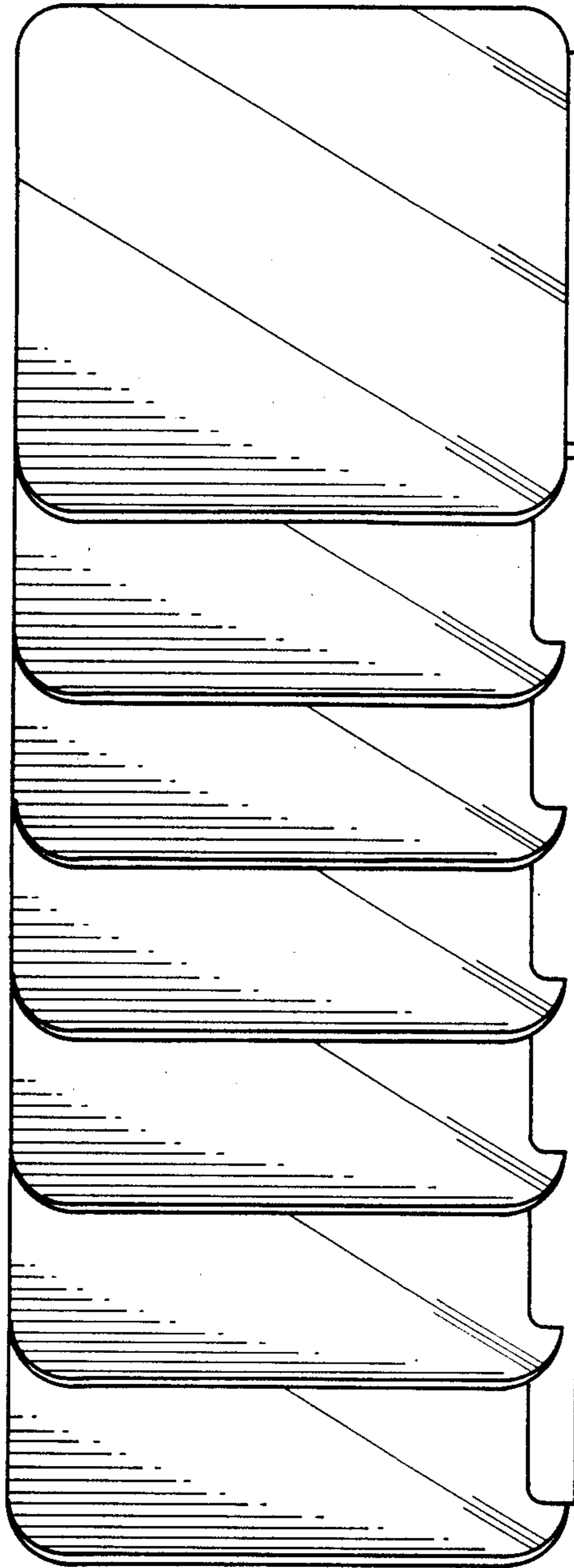


FIG. 1



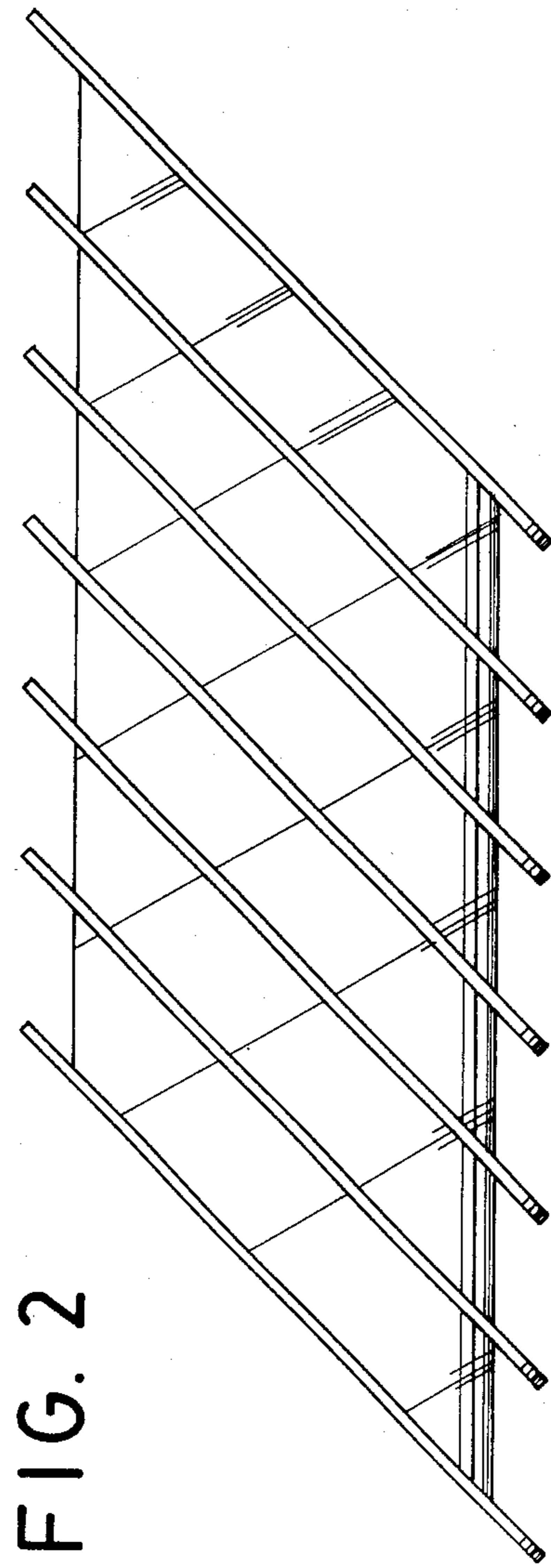


FIG. 2

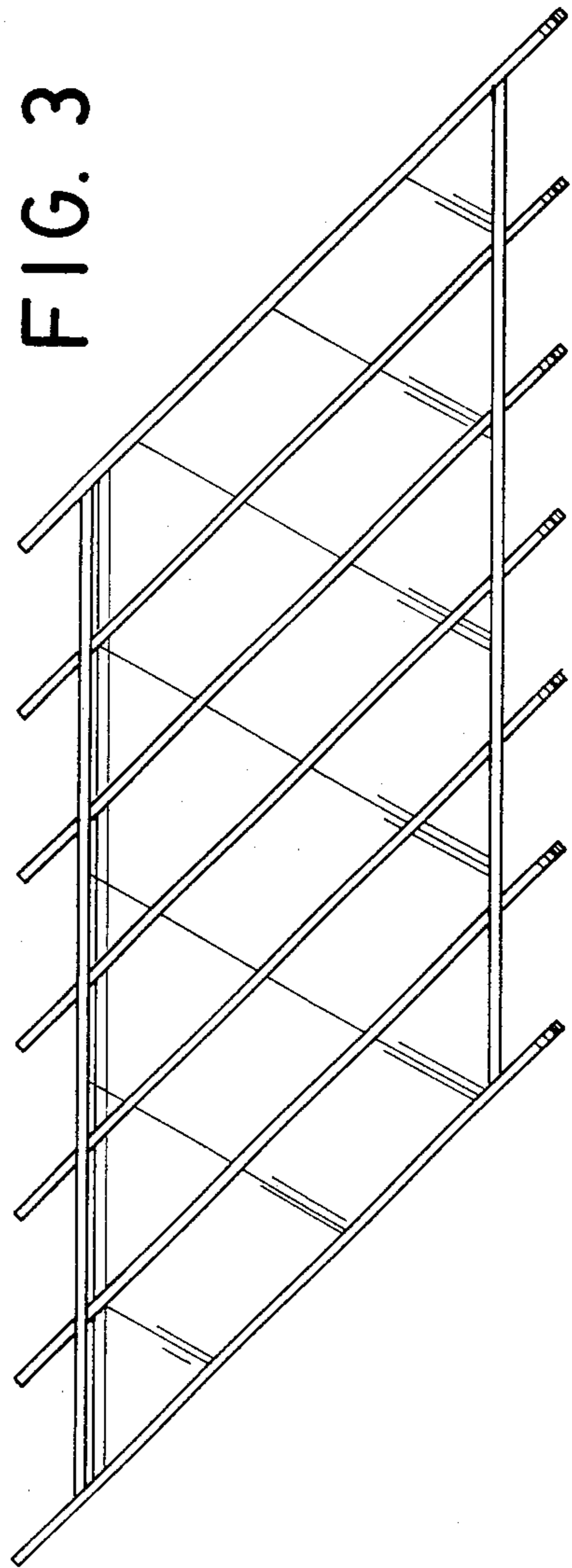


FIG. 3

FIG. 4

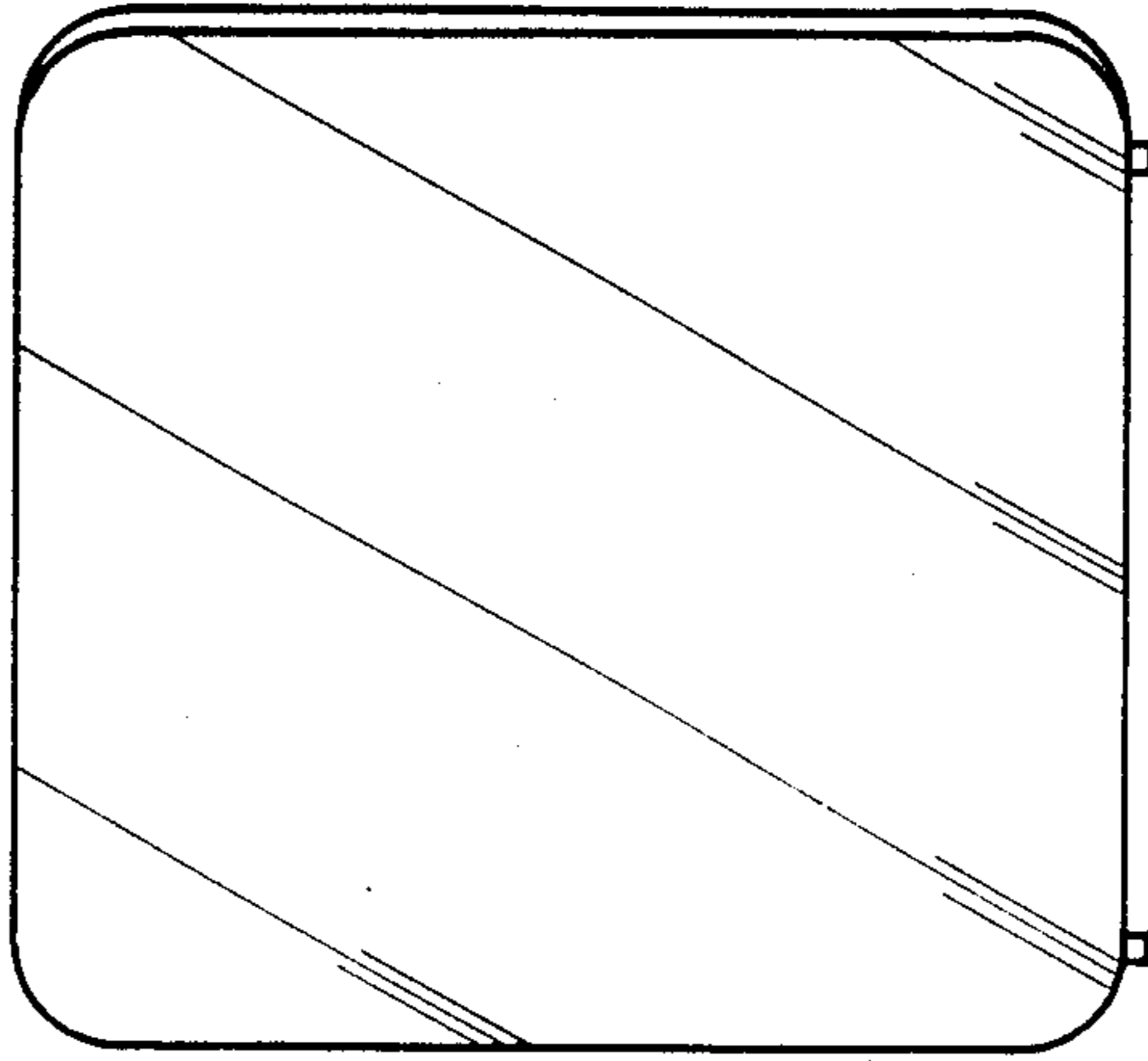


FIG. 5

