

United States Patent [19]

Saeki

[11] Patent Number: **Des. 313,427**

[45] Date of Patent: **** Jan. 1, 1991**

[54] **PRINT HEAD FOR A PRINTER**
 [75] Inventor: **Toshiro Saeki, Tokyo, Japan**
 [73] Assignee: **Seikosha Co., Ltd., Japan**
 [**] Term: **14 Years**
 [21] Appl. No.: **172,125**
 [22] Filed: **Mar. 23, 1988**

4,528,575	7/1985	Matsuda et al.	400/126
4,562,846	1/1986	Siegal	400/126
4,647,237	3/1987	Moriya et al.	400/124
4,682,903	7/1987	Agata	400/121
4,736,213	4/1988	Piatt et al.	400/126
4,879,947	11/1989	Kurosawa et al.	400/121

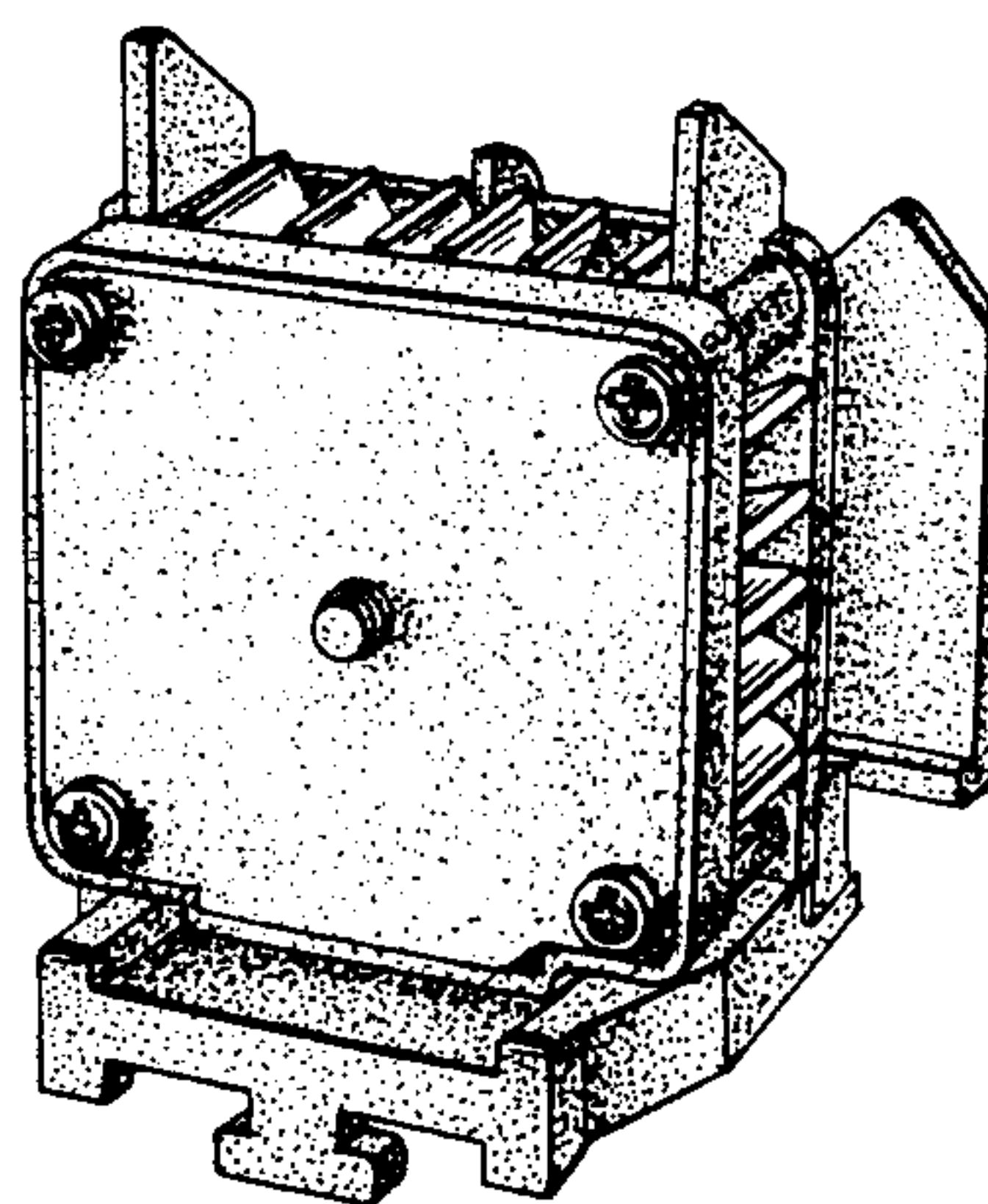
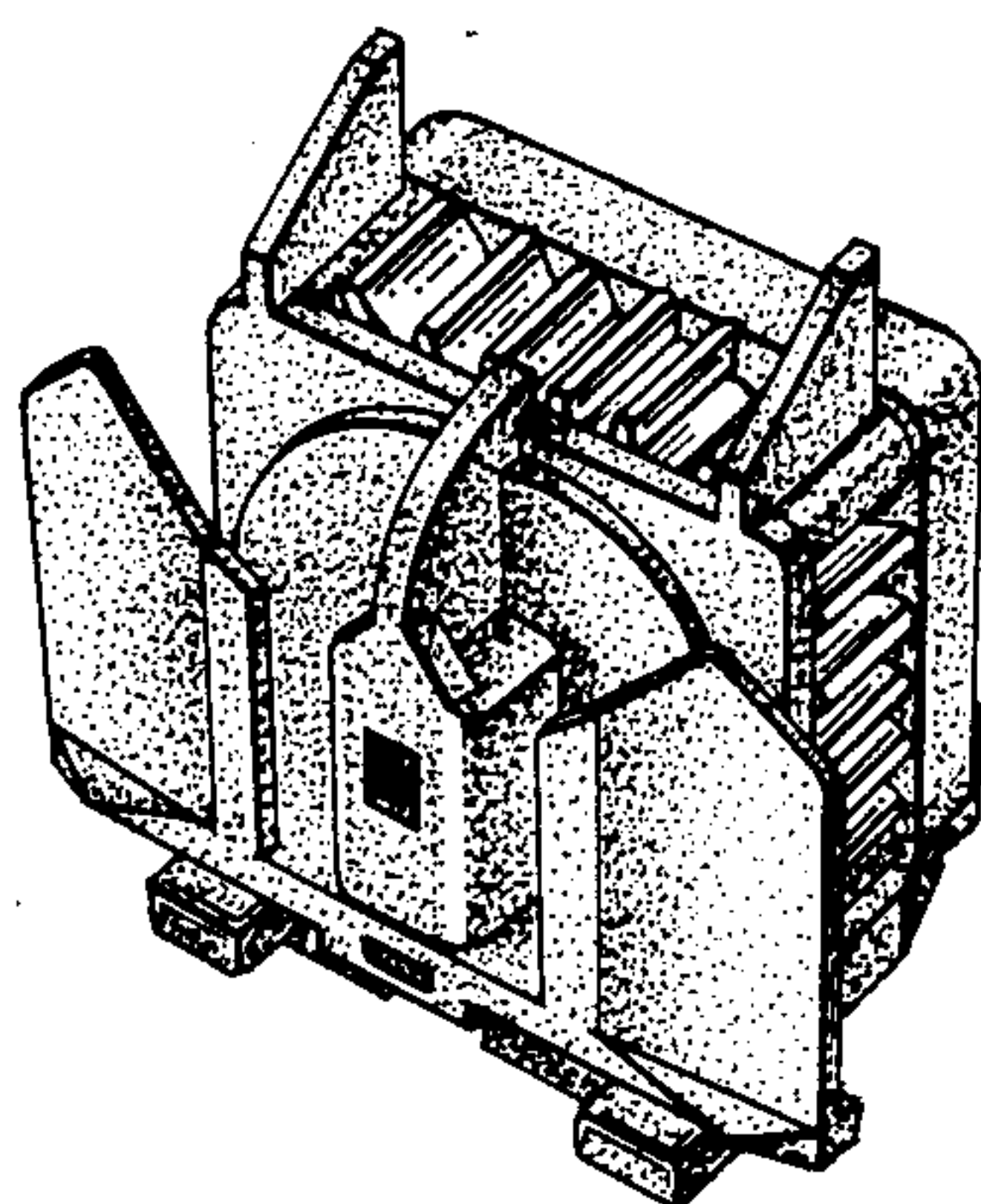
[30] **Foreign Application Priority Data**
 Oct. 15, 1987 [JP] Japan 62-42113
 [52] U.S. Cl. **D18/22**
 [58] **Field of Search** D18/12, 13, 22, 99;
 D14/121, 100, 109, 114, 115; 340/700; 346/140
 PD, 126; 400/67, 121, 124, 126, 175, 194, 197,
 200-202, 202.1-202.3, 248, 679, 690.1, 691-693,
 719

Primary Examiner—James R. Largen
Assistant Examiner—Cathy Anne MacCormac
Attorney, Agent, or Firm—Bruce L. Adams; Van C. Wilks

[56] **References Cited**
U.S. PATENT DOCUMENTS
 D. 256,474 8/1980 Stenudd D18/22
 3,904,011 9/1975 Matschke 400/124
 4,134,691 1/1979 Matschke 400/124
 4,503,443 3/1985 Dagna et al. 400/126

[57] **CLAIM**
 The ornamental design for a print head for a printer, as shown and described.

DESCRIPTION
 FIG. 1 is a front elevational view of a print head for a printer showing my new design;
 FIG. 2 is a rear elevational view thereof;
 FIG. 3 is a top plan view thereof;
 FIG. 4 is a bottom plan view thereof;
 FIG. 5 is a left side elevational view thereof;
 FIG. 6 is a right side elevational view thereof;
 FIG. 7 is a top, front and right perspective view thereof;
 and
 FIG. 8 is a top, rear and left perspective view thereof.



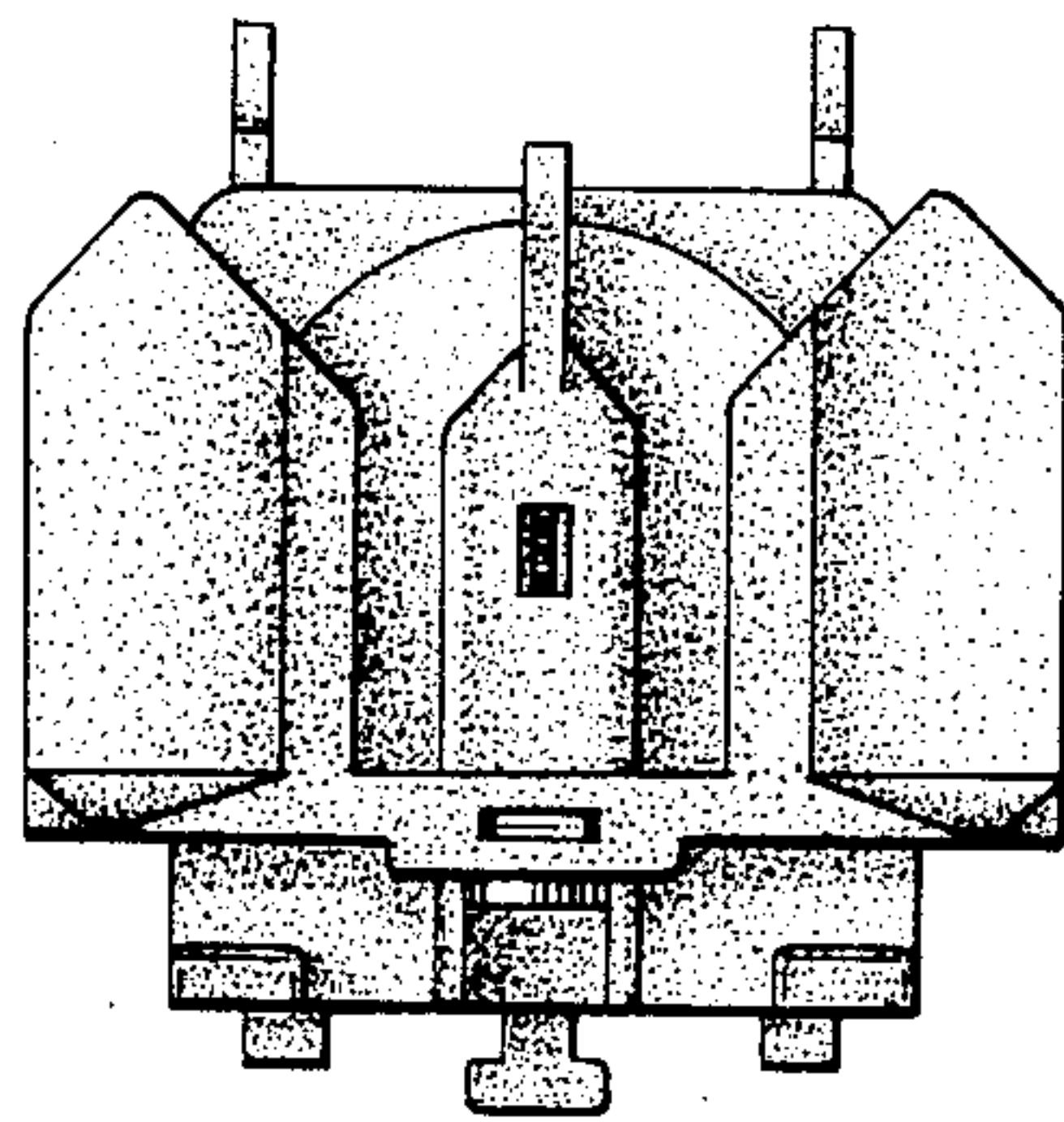


FIG. 1

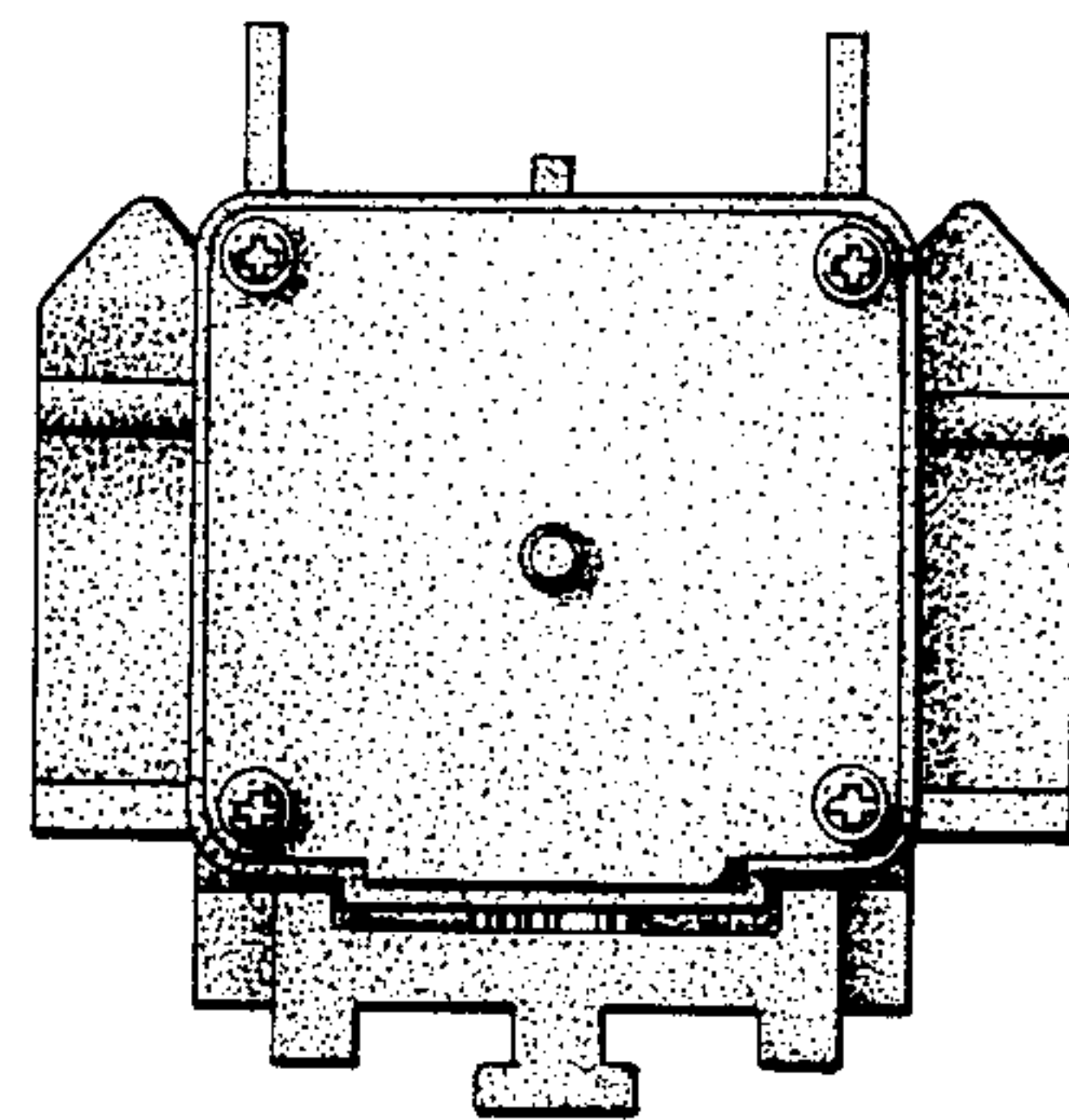


FIG. 2

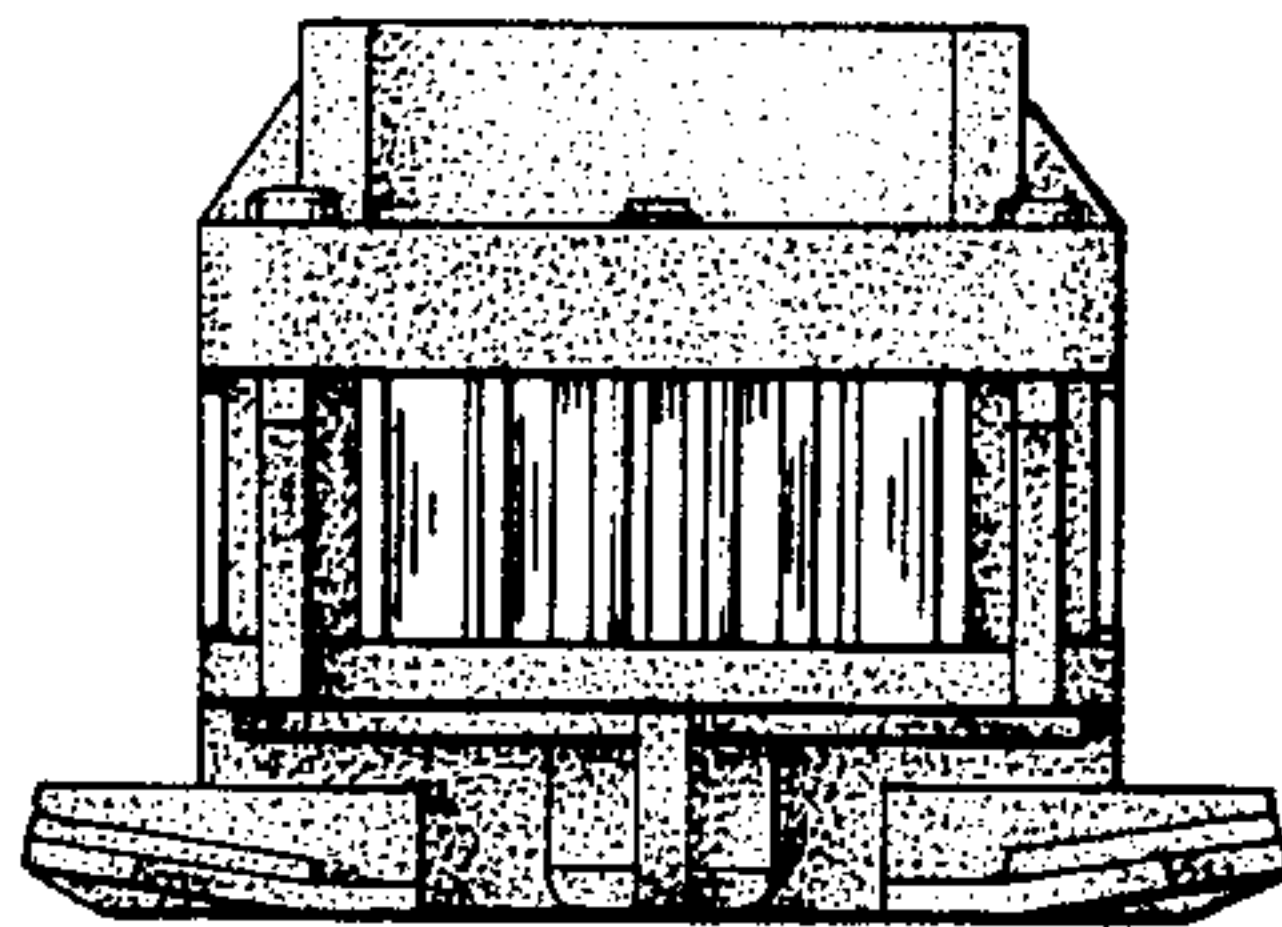


FIG. 3

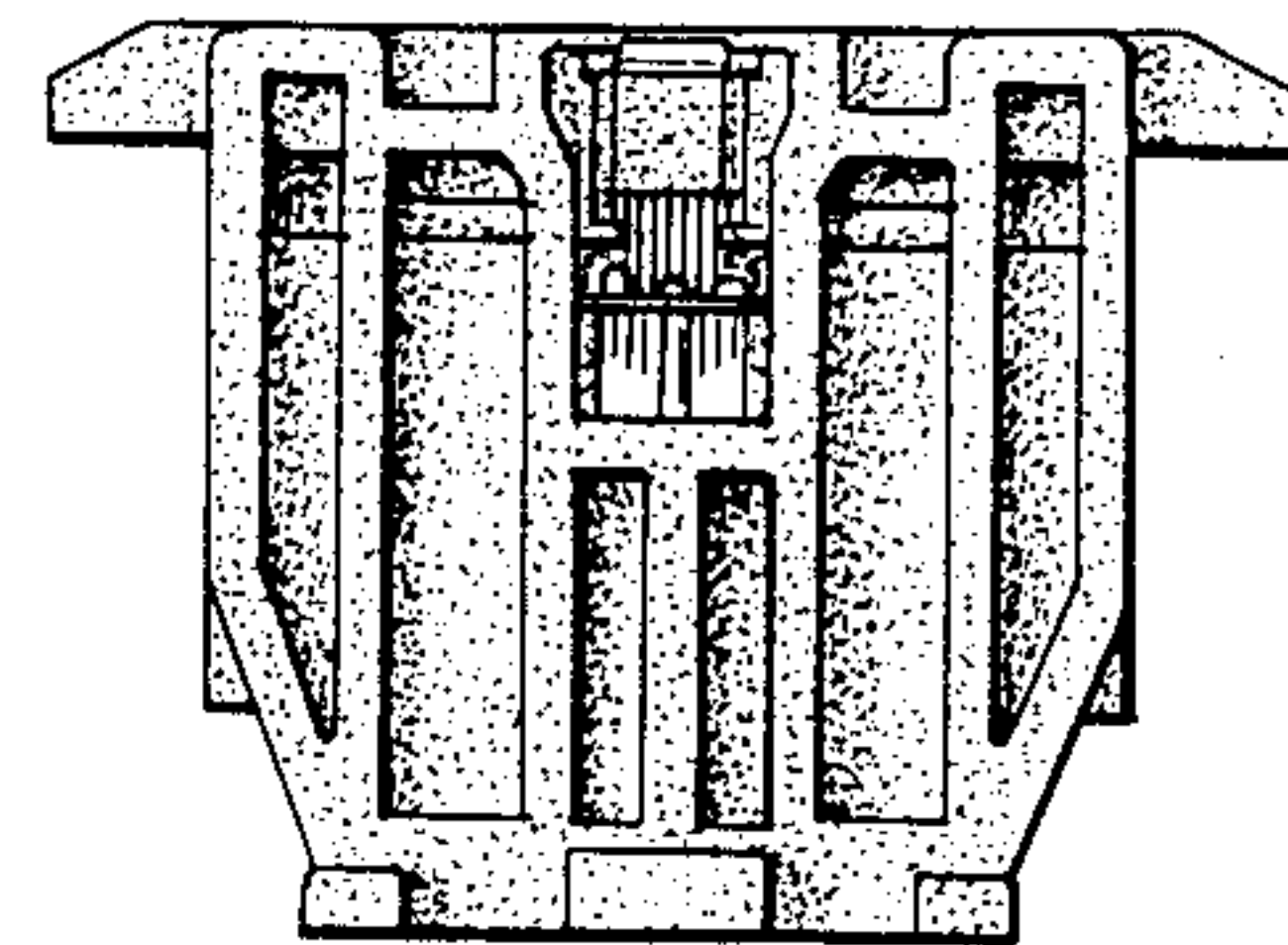


FIG. 4

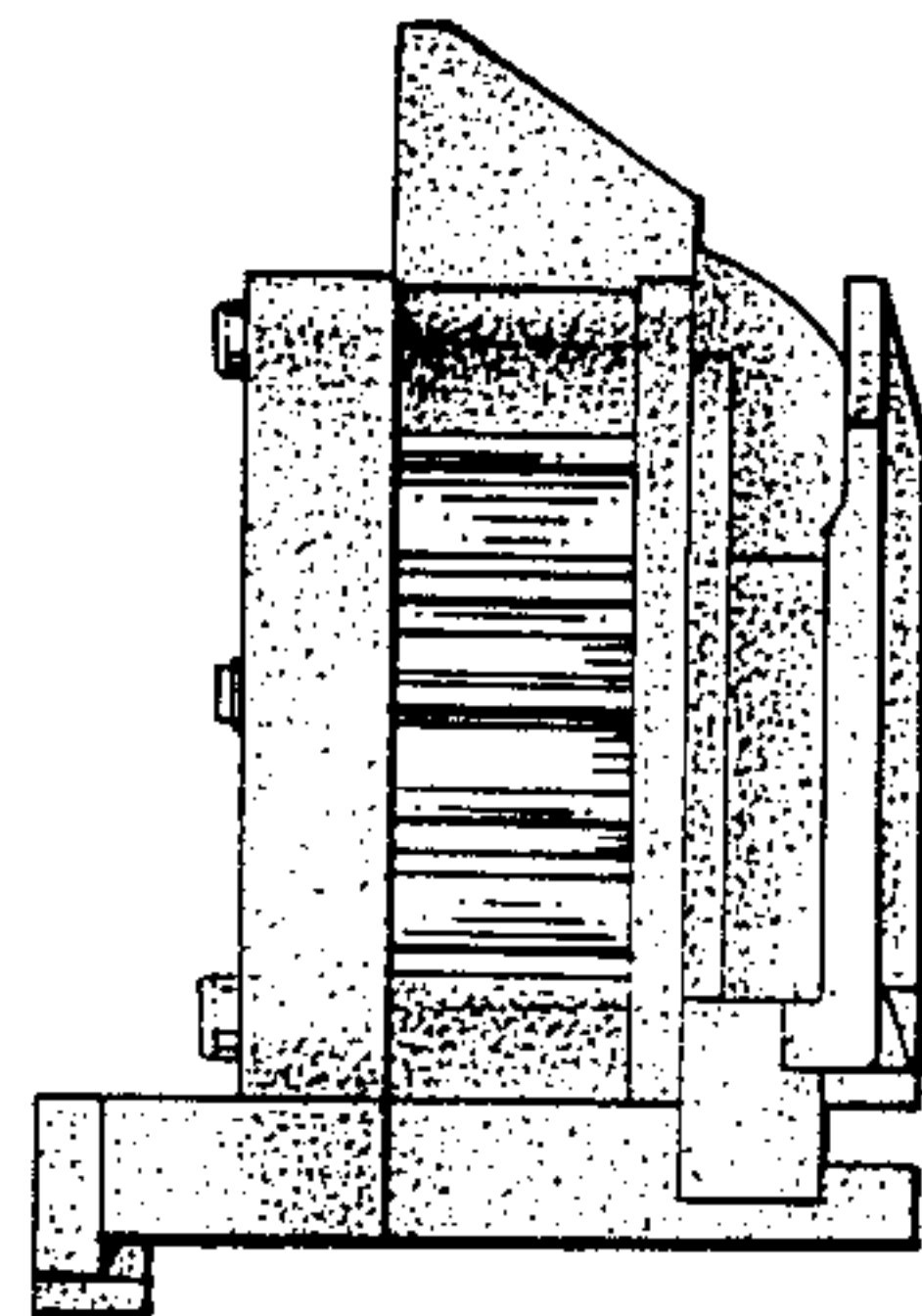


FIG. 5

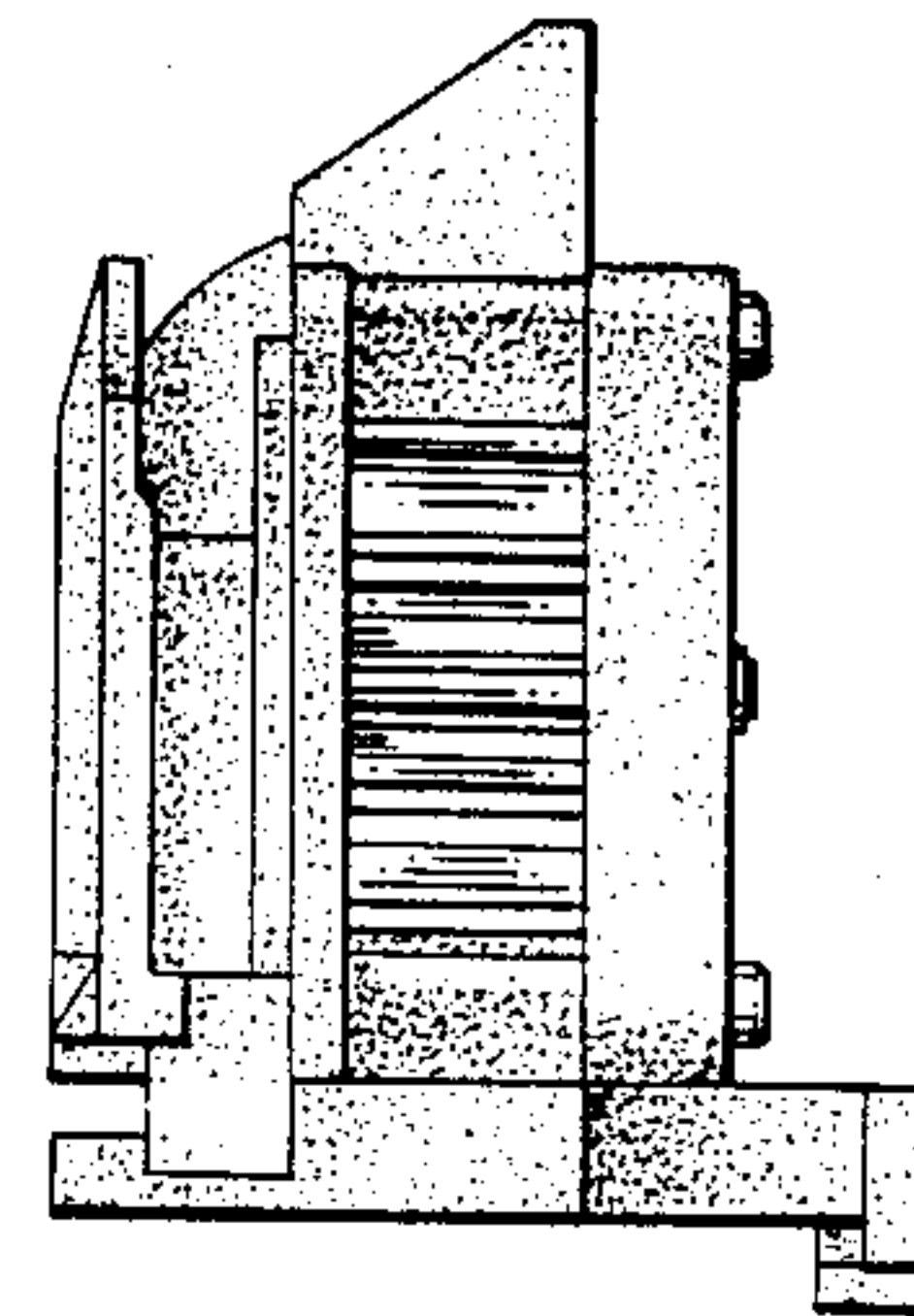


FIG. 6

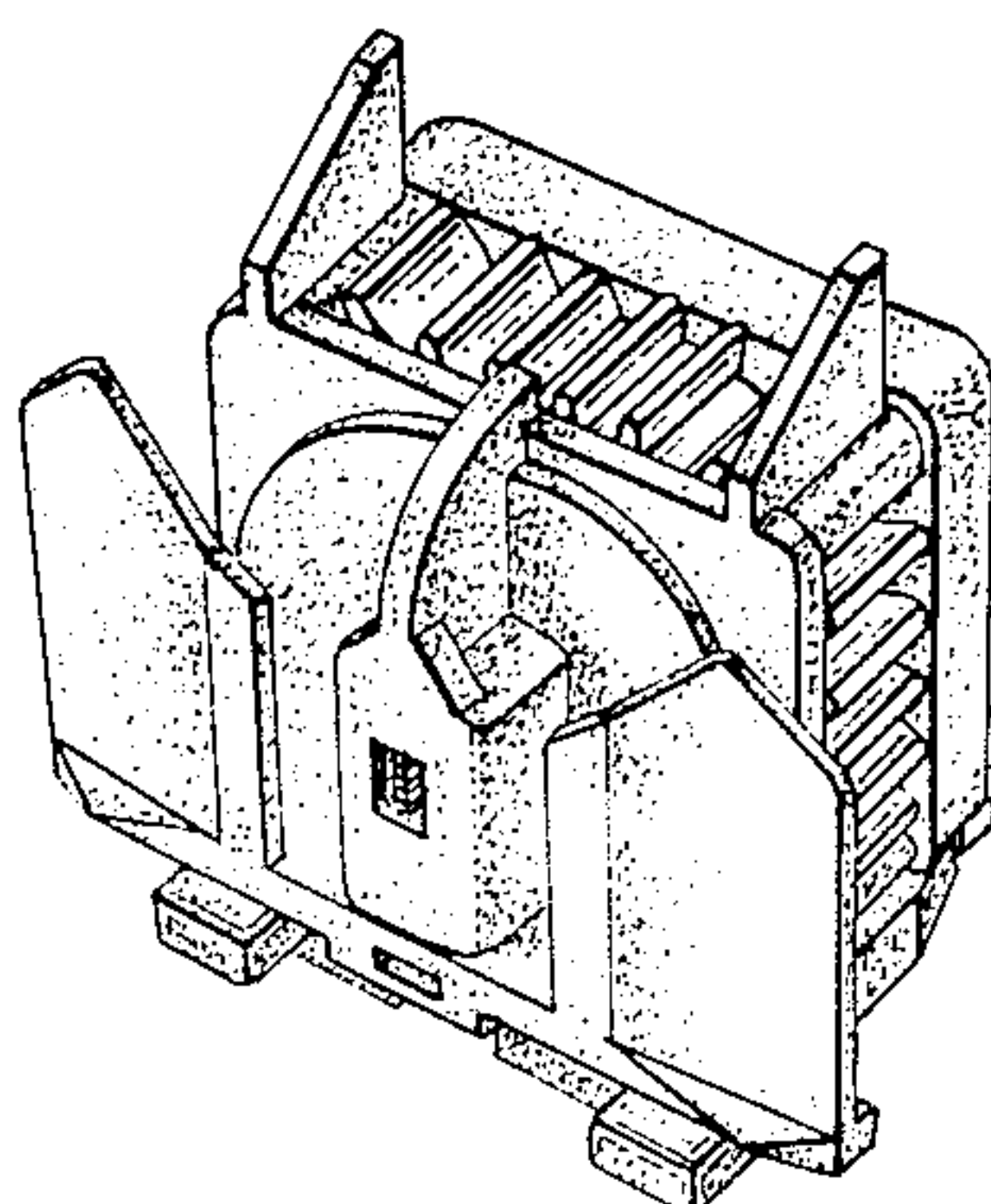


FIG. 7

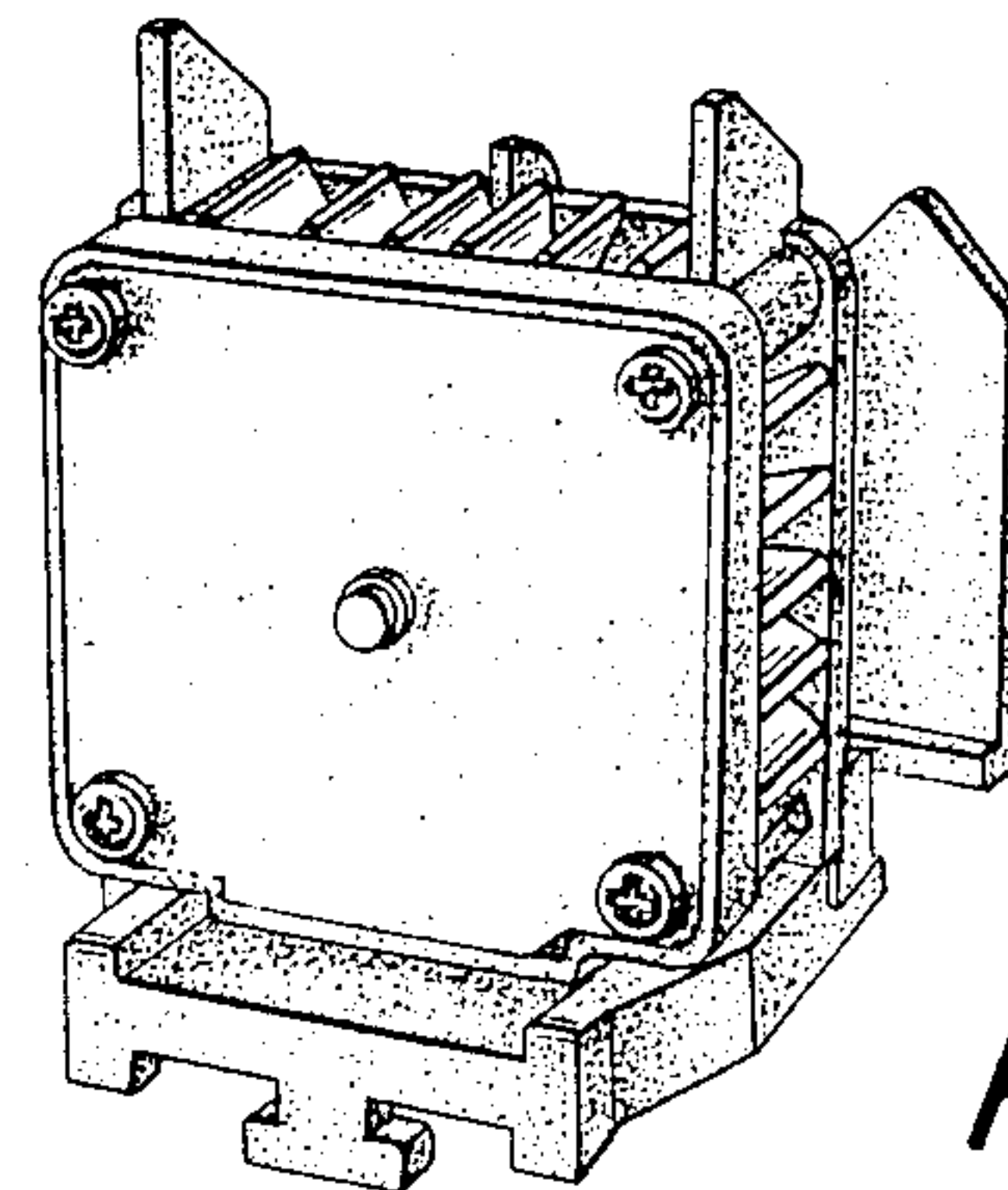


FIG. 8