

United States Patent [19]
Endo

[11] **Patent Number: Des. 313,425**

[45] **Date of Patent: ** Jan. 1, 1991**

[54] **INK RIBBON CARTRIDGE**

[75] **Inventor: Koichi Endo, Nagano, Japan**

[73] **Assignee: Seiko Epson Corporation, Tokyo, Japan**

[**] **Term: 14 Years**

[21] **Appl. No.: 227,265**

[22] **Filed: Aug. 2, 1988**

[30] **Foreign Application Priority Data**

Mar. 15, 1988 [JP] Japan 63-10405

[52] **U.S. Cl. D18/12**

[58] **Field of Search D18/12, 22, 99; 400/194, 195, 196, 196.1, 207, 208**

[56] **References Cited**

U.S. PATENT DOCUMENTS

D. 303,396 9/1989 Smith D18/12

4,388,006 6/1983 Waibel 400/196
4,415,285 11/1983 Bury 400/196.1

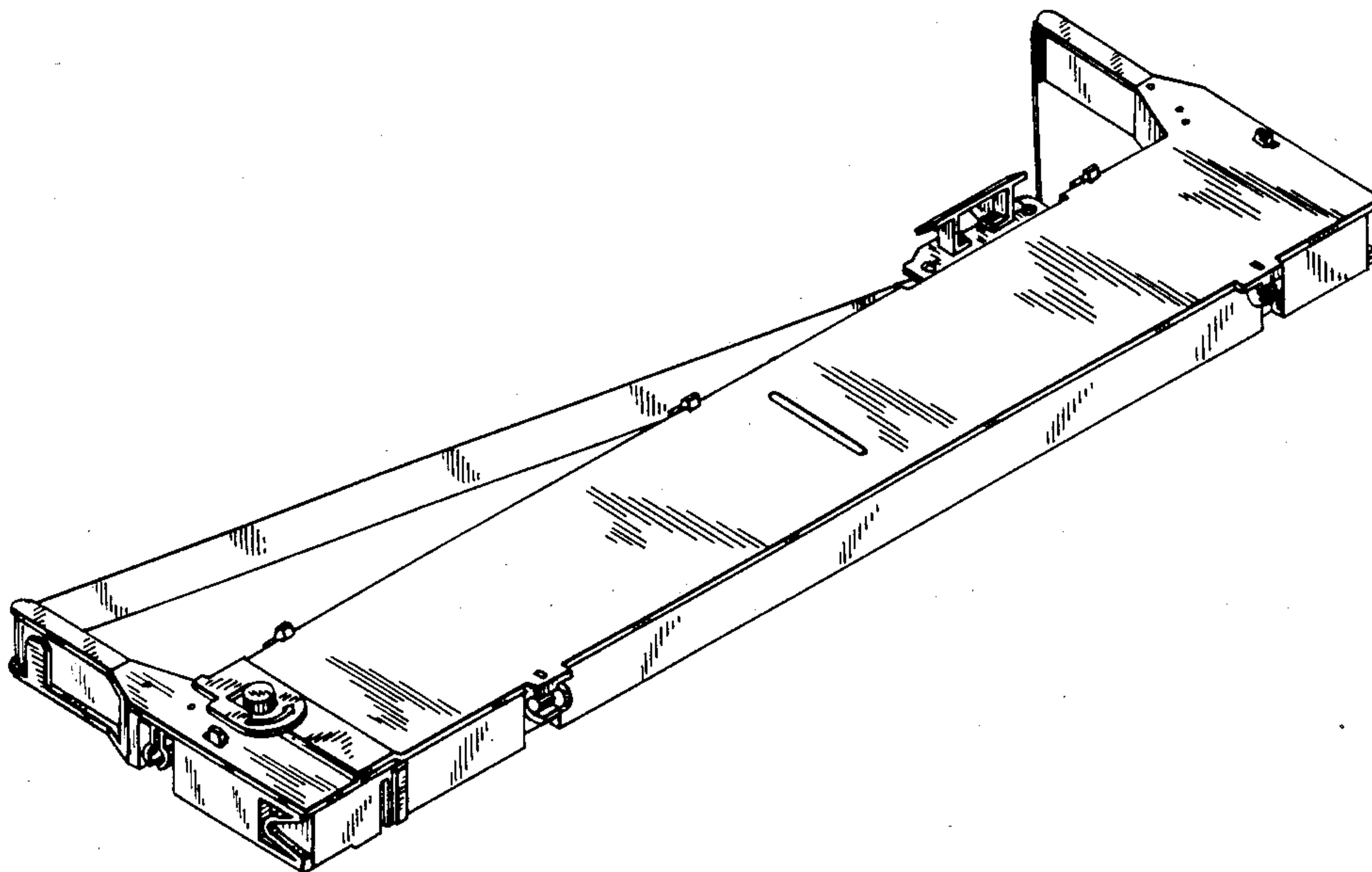
Primary Examiner—Nelson C. Holtje
Assistant Examiner—Caron D. Vegnan
Attorney, Agent, or Firm—Blum Kaplan

[57] **CLAIM**

The ornamental design for an ink ribbon cartridge, as shown and described.

DESCRIPTION

FIG. 1 is a top plan view of an ink ribbon cartridge showing my new design;
FIG. 2 is a rear elevational view thereof;
FIG. 3 is a left side elevational view thereof;
FIG. 4 is a bottom plan view thereof;
FIG. 5 is a front elevational view thereof;
FIG. 6 is a right side elevational view thereof; and
FIG. 7 is a top, rear and right side perspective view thereof.



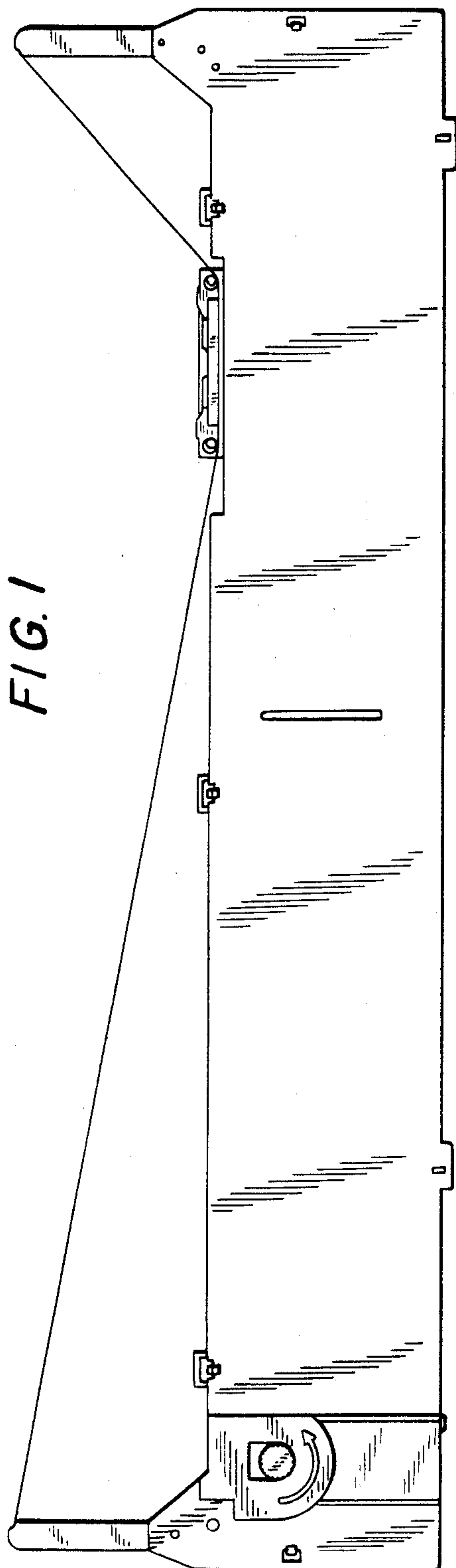


FIG. 1

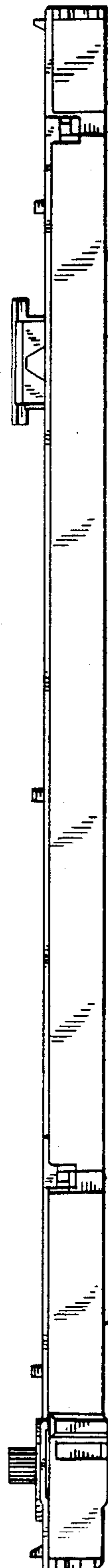


FIG. 2

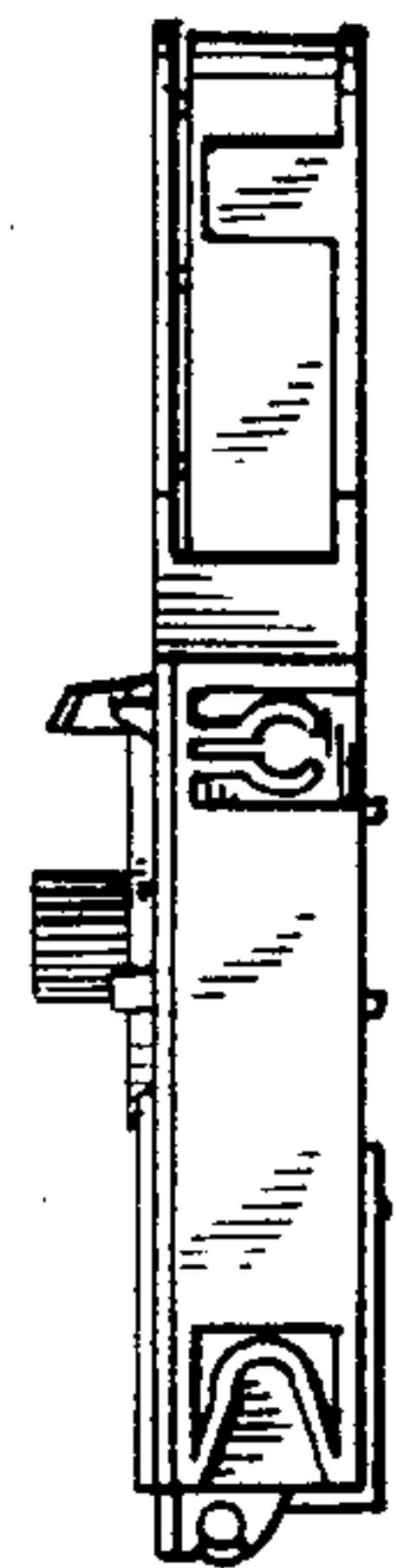


FIG. 3

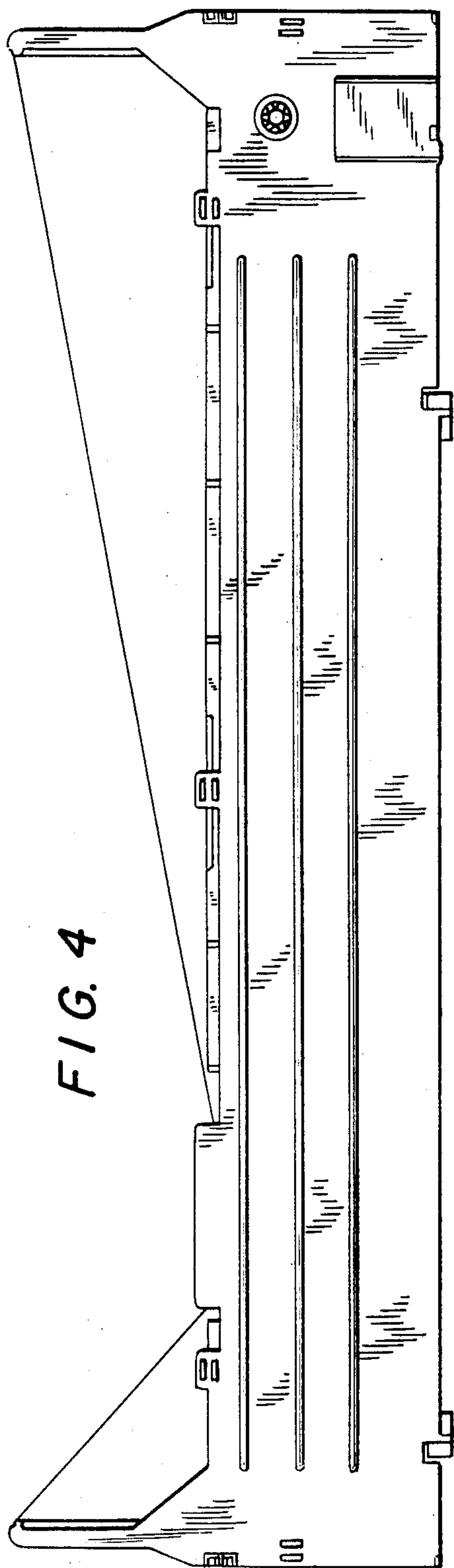


FIG. 5

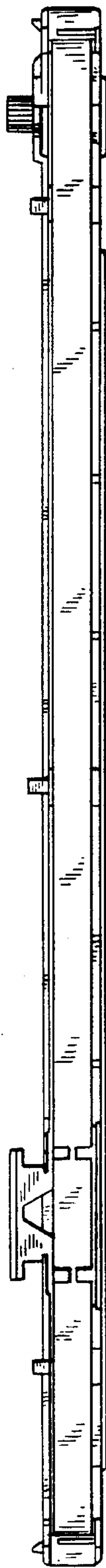
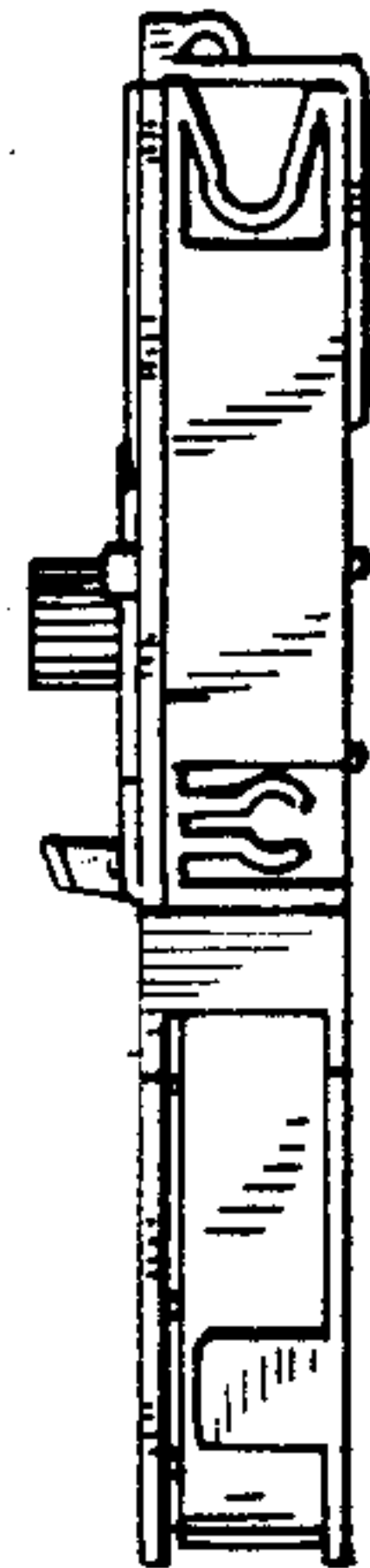


FIG. 6



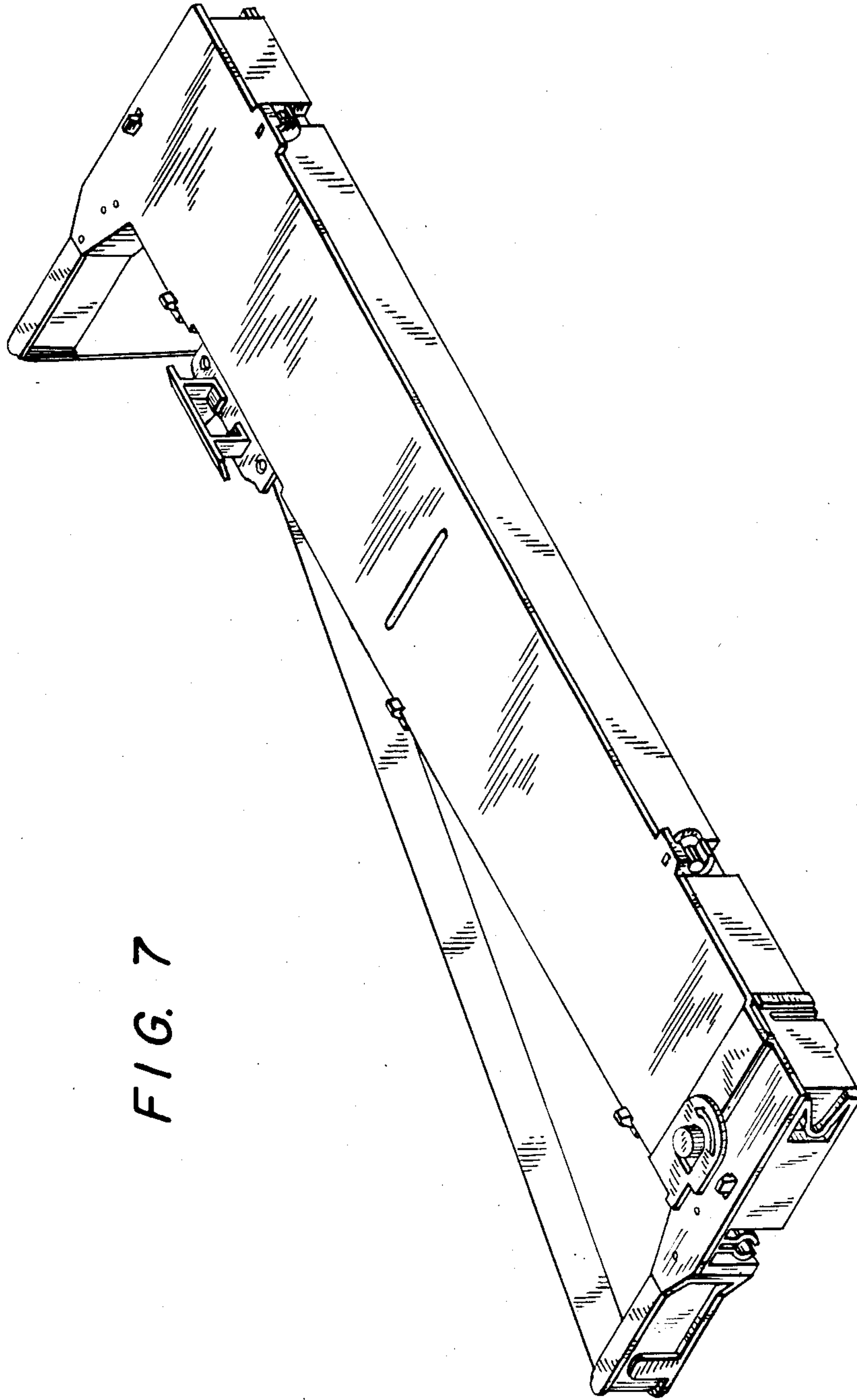


FIG. 7