

[54] CAMERA

[75] Inventors: **Koki Onuma; Masahiro Koinuma,**
both of Tokyo, Japan

[73] Assignee: **Asahi Kogaku Kogyo Kabushiki**
Kaisha, Tokyo, Japan

[**] Term: **14 Years**

[21] Appl. No.: **180,860**

[22] Filed: **Apr. 12, 1988**

[30] Foreign Application Priority Data

Oct. 13, 1987 [JP] Japan 62-41799

[52] U.S. Cl. **D16/209; D16/218**

[58] Field of Search **D16/200, 201, 203, 204,**
D16/208, 209, 216-218; 354/126, 149.11, 219,
202, 288, 127.11, 187

[56] References Cited

U.S. PATENT DOCUMENTS

D. 271,880	12/1983	Agou et al.	D16/218
D. 293,917	1/1988	Tanaka et al.	D16/209
D. 306,452	3/1990	Tanaka et al.	D16/209
4,733,263	3/1988	Taniguchi et al.	354/149.11

OTHER PUBLICATIONS

Popular Photography, Dec. 1986, pp. 70-71 (Canon Camera).

Modern Photography, May 1987, p. 50 (Minolta Camera).

Modern Photography, Dec. 1987, p. 63 (Konica MR 70 LX).

Pentax catalog "Zoom 70 S Quarts Date Camera" published Mar. 1988.

Primary Examiner—Bernard Ansher

Assistant Examiner—Adir Aronovich

Attorney, Agent, or Firm—Sughrue, Mion, Zinn, Macpeak & Seas

[57] CLAIM

The ornamental design for a camera, as shown.

DESCRIPTION

FIG. 1 is a top, front perspective view of a camera showing our new design.

FIG. 2 is a front elevational view thereof;

FIG. 3 is a rear elevational view thereof;

FIG. 4 is a top plan view thereof;

FIG. 5 is a bottom plan view thereof;

FIG. 6 is a left side elevational view thereof; and

FIG. 7 is a right side elevational view thereof.

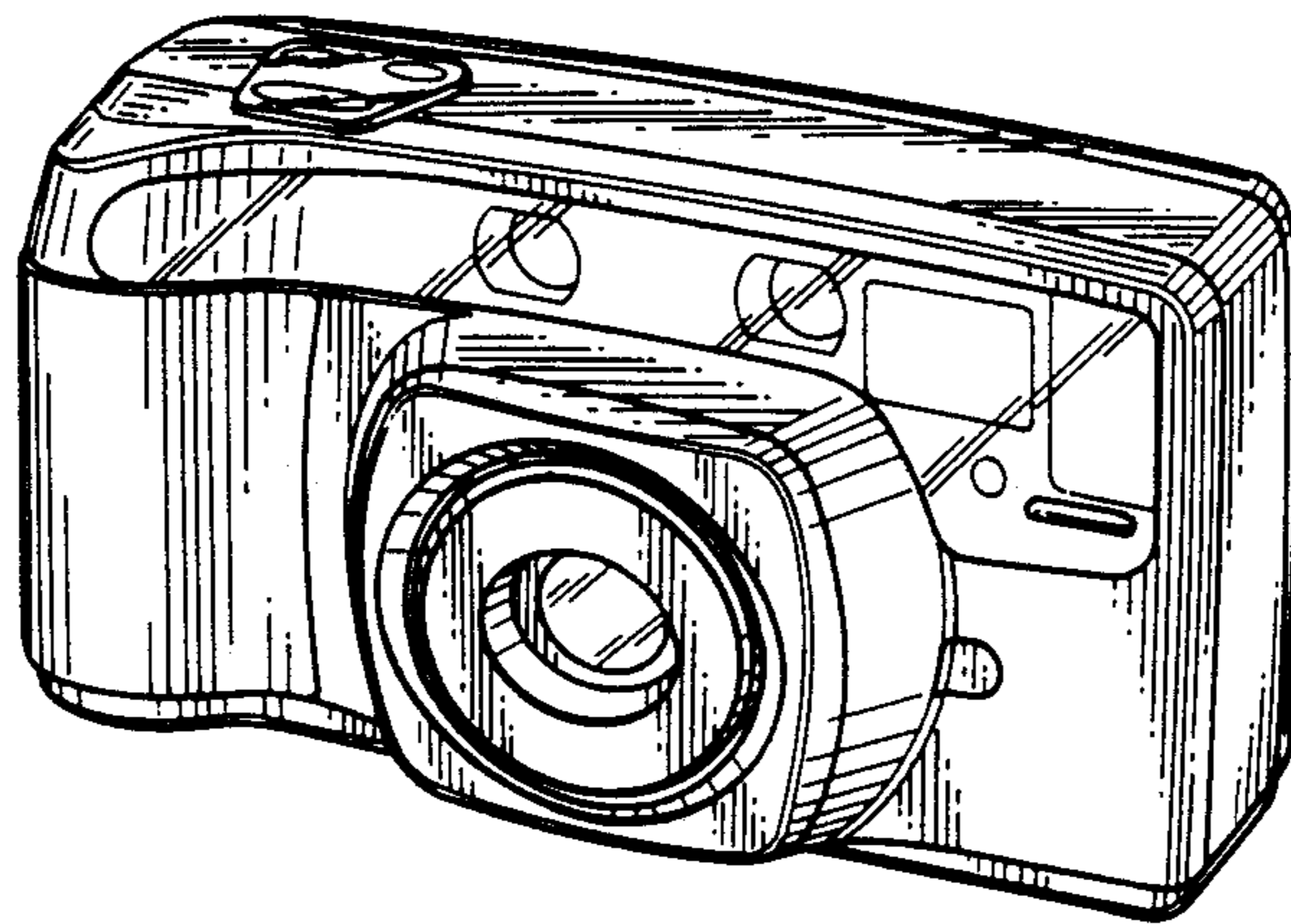


Fig. 1

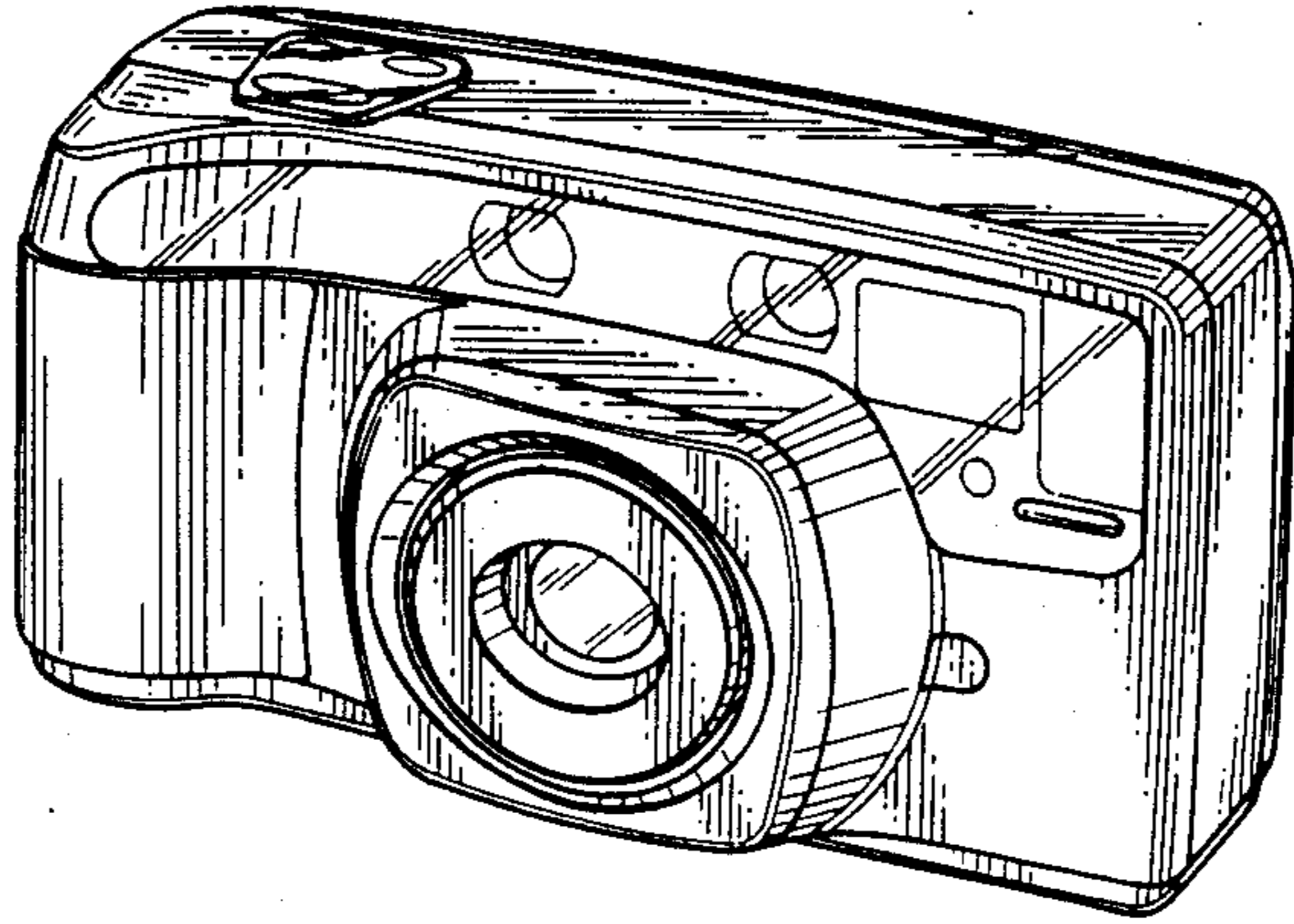


Fig. 2

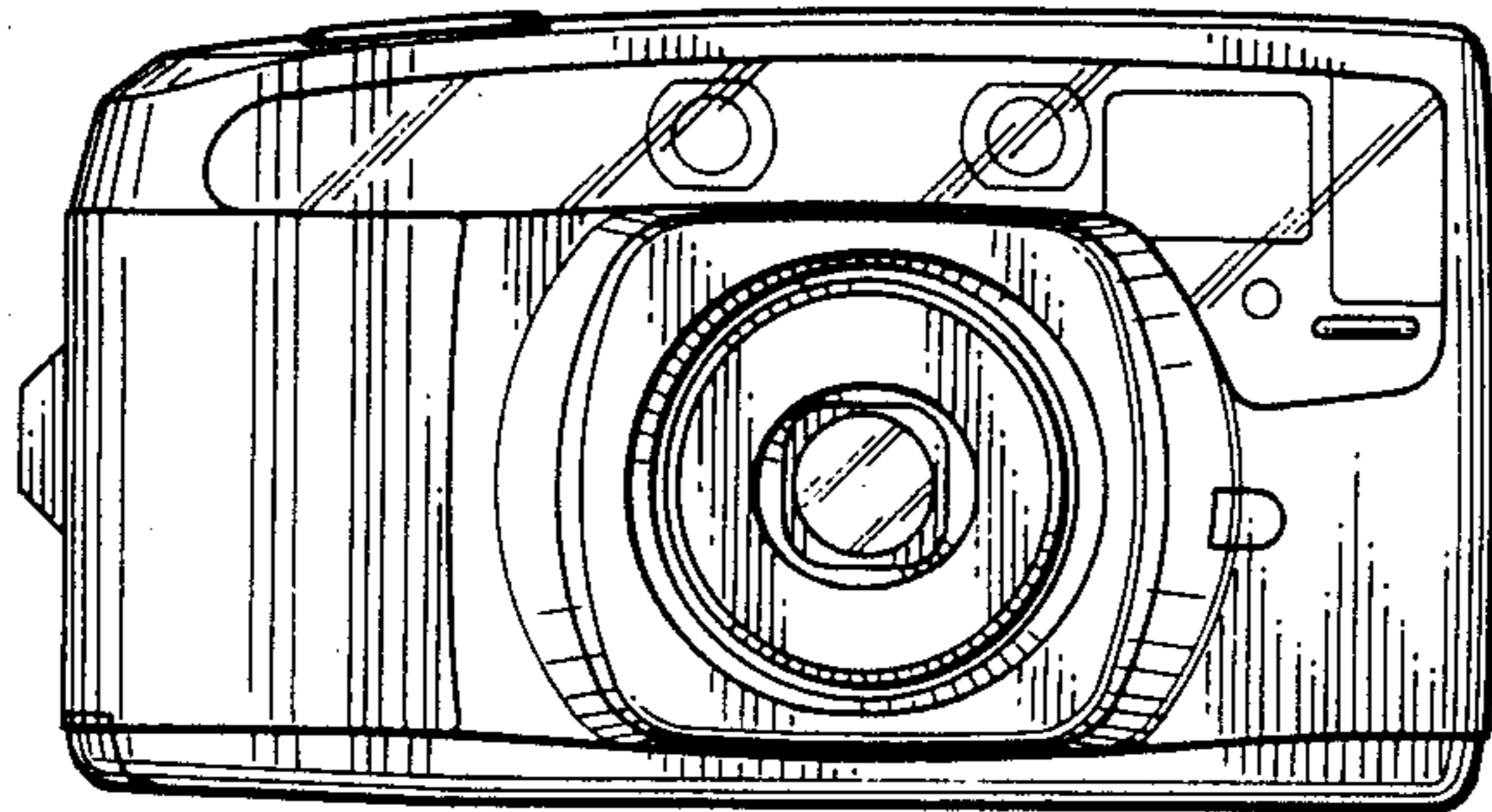


Fig. 3

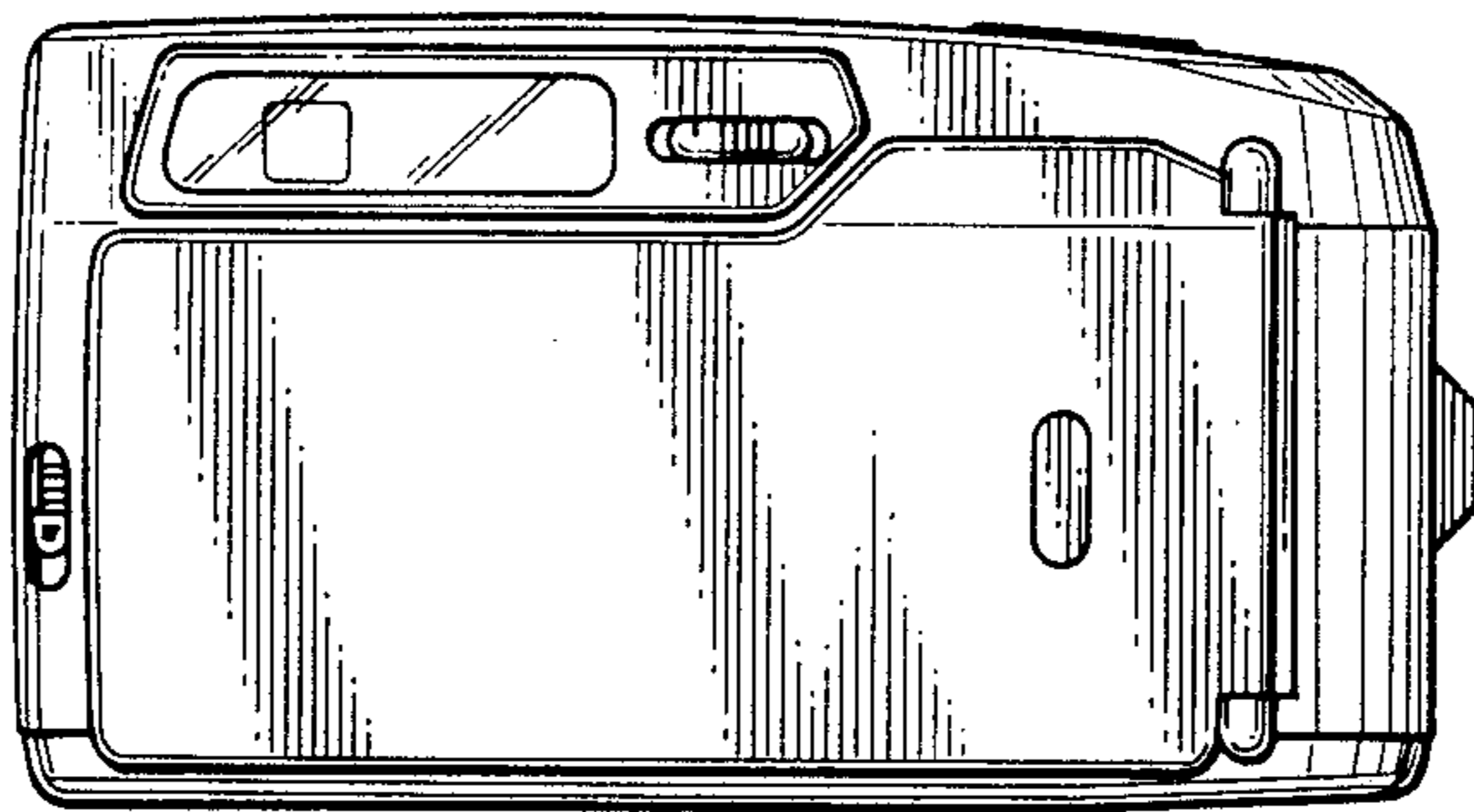


Fig. 4

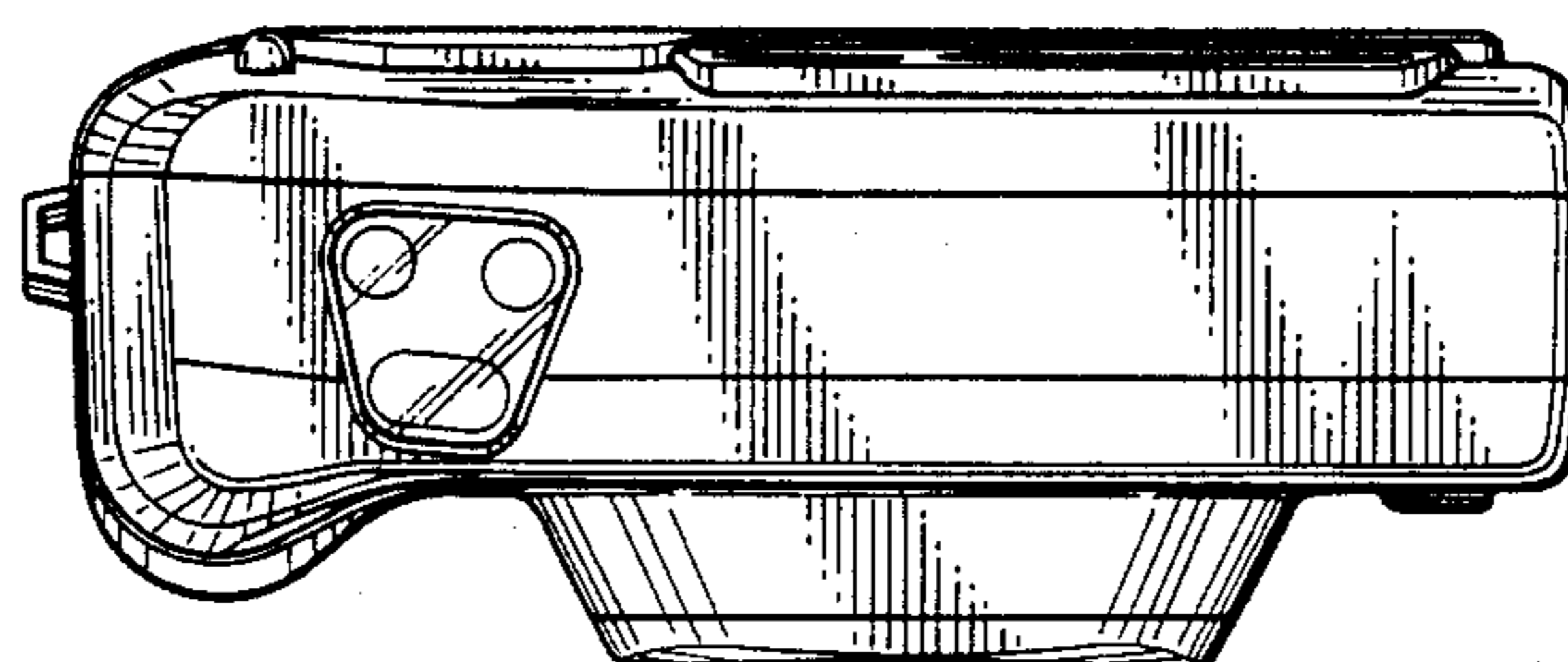


Fig. 5

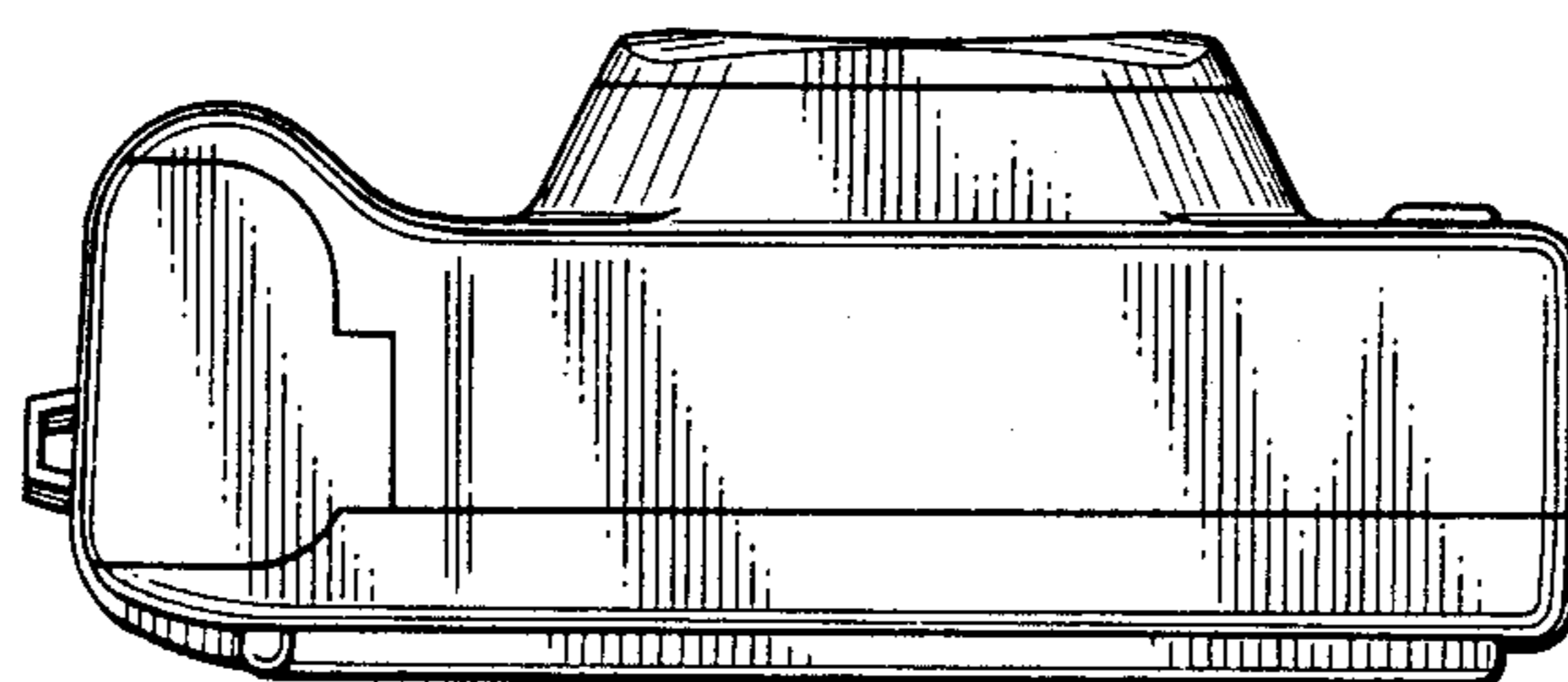


Fig. 6

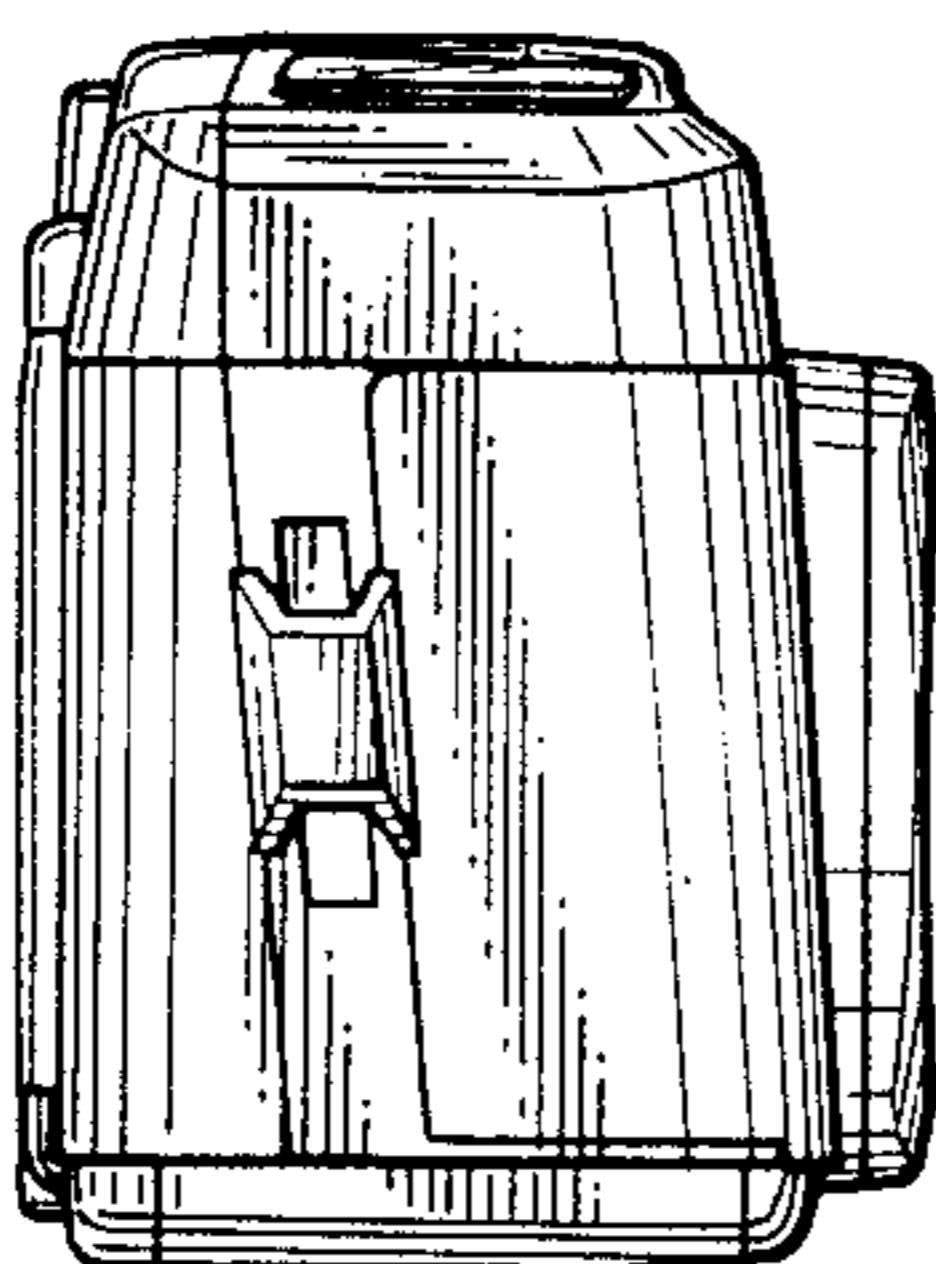


Fig. 7

