

[54] COMBINED CAMERA AND A FLASH UNIT

[75] Inventors: Bruce A. Leonard, Honeoye Falls, N.Y.; James S. Couch, Powell; Robert W. Mervar, Columbus, both of Ohio

[73] Assignee: Eastman Kodak Company, Rochester, N.Y.

[\*\*] Term: 14 Years

[21] Appl. No.: 169,184

[22] Filed: Mar. 16, 1988

[52] U.S. Cl. .... D16/209; D16/217

[58] Field of Search ..... D16/200, 201, 203, 208, D16/209, 216, 217, 218; 354/126, 127.11, 145.1, 149.11, 187, 202, 219, 288

[56] References Cited

U.S. PATENT DOCUMENTS

- D. 249,949 10/1978 Mielke et al. .... D16/217
- D. 268,416 3/1983 Rubner ..... D16/209
- D. 306,037 2/1990 Nakayama ..... D16/209
- 4,319,817 3/1982 Johnson ..... 354/145.1

FOREIGN PATENT DOCUMENTS

63-44644 2/1988 Japan ..... 354/145.1

OTHER PUBLICATIONS

Popular Photo, Dec. 1987, p. 77 (Olympus OM77AF Camera).

Primary Examiner—Melvin B. Feifer  
Attorney, Agent, or Firm—Roger A. Fields

[57] CLAIM

The ornamental design for a combined camera and a flash unit, as shown and described.

DESCRIPTION

FIG. 1 is a top, front perspective view of a combined camera and a flash unit showing our new design;  
 FIG. 2 is a rear elevation view thereof with the flash unit in a folded position;  
 FIG. 3 is a left side elevation view thereof;  
 FIG. 4 is a bottom plan view thereof;  
 FIG. 5 is a top, front perspective view thereof, with the flash unit in an extended position;  
 FIG. 6 is a rear elevation view thereof.

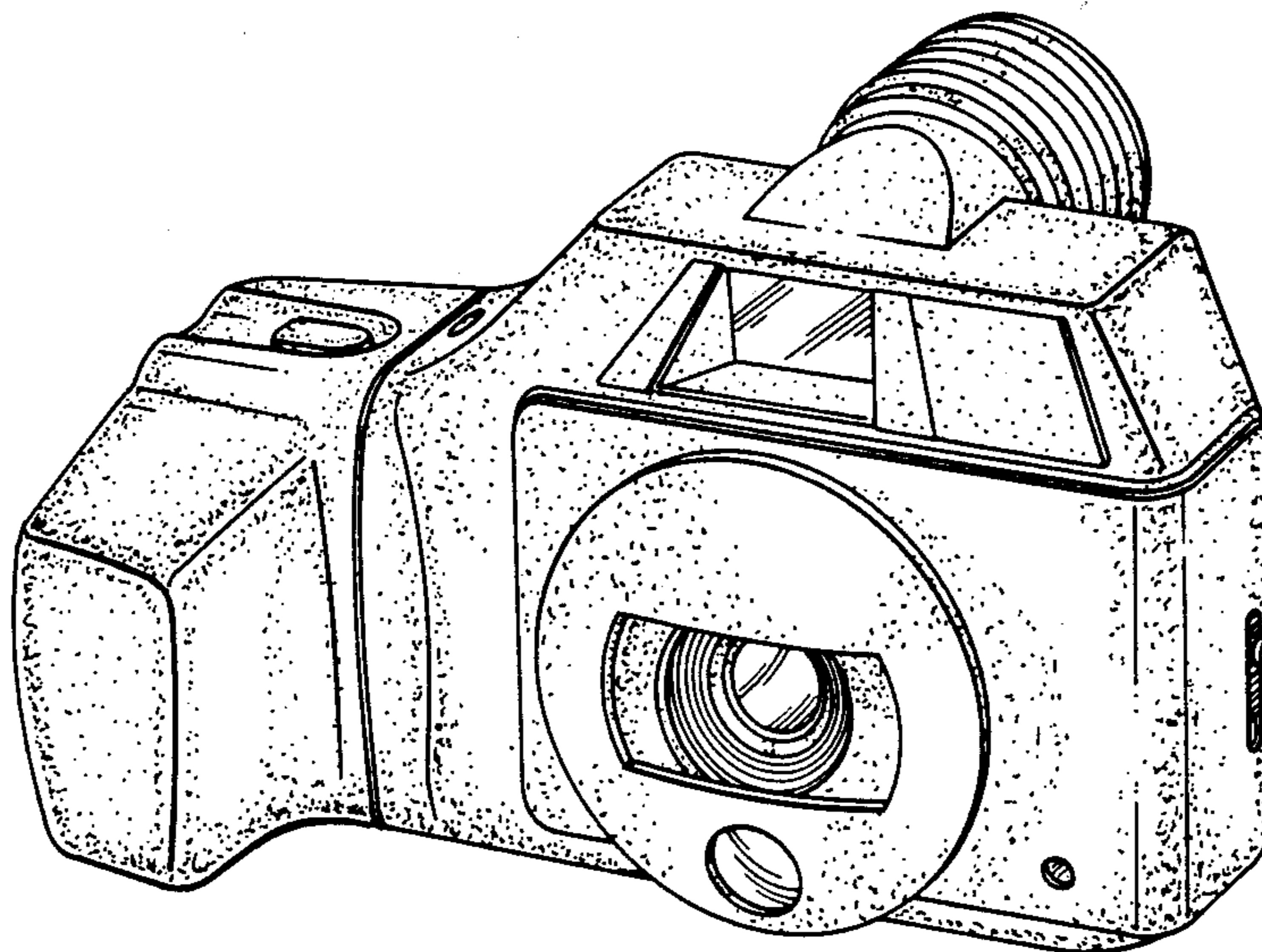


FIG. 1

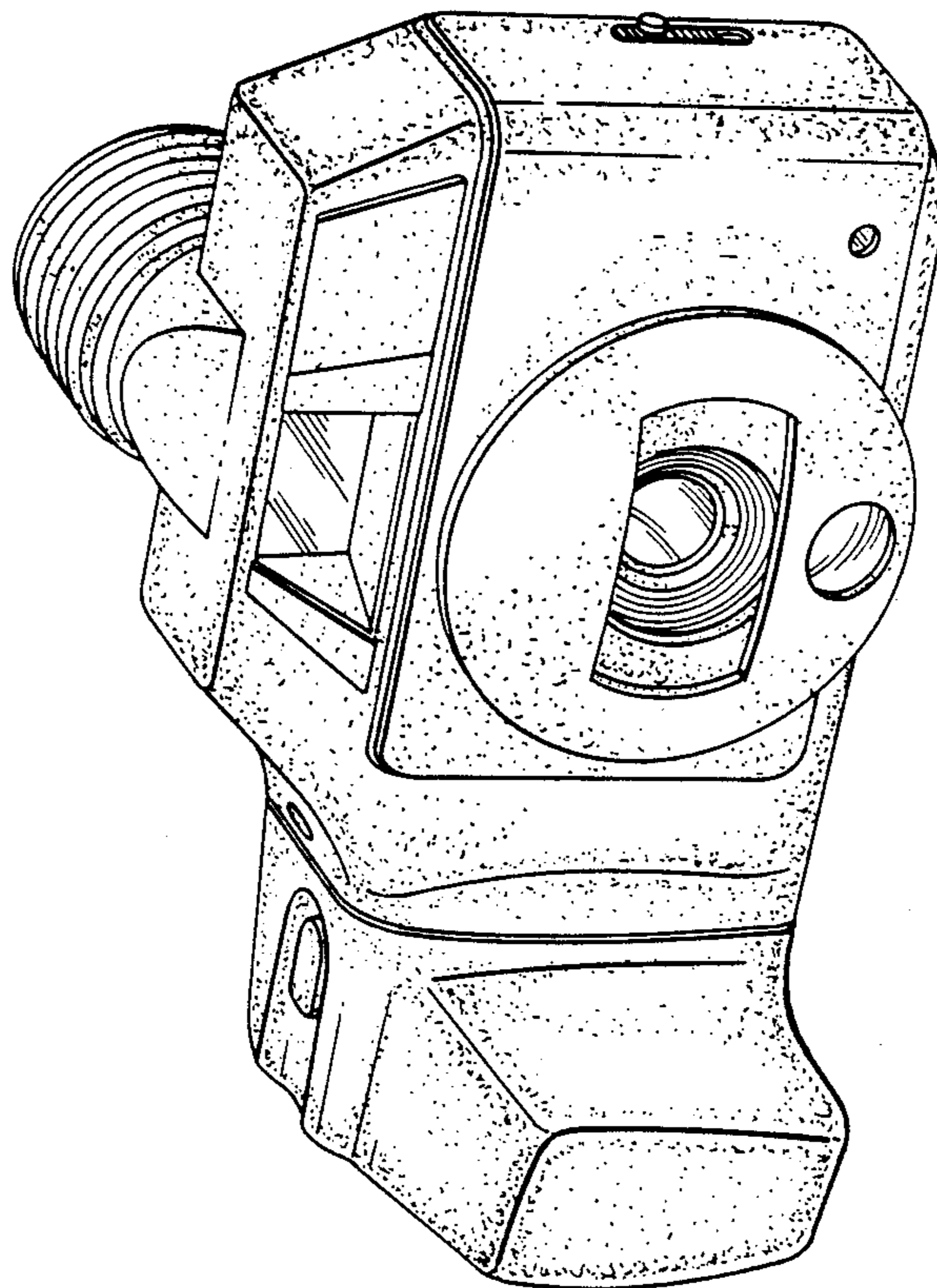


FIG. 2

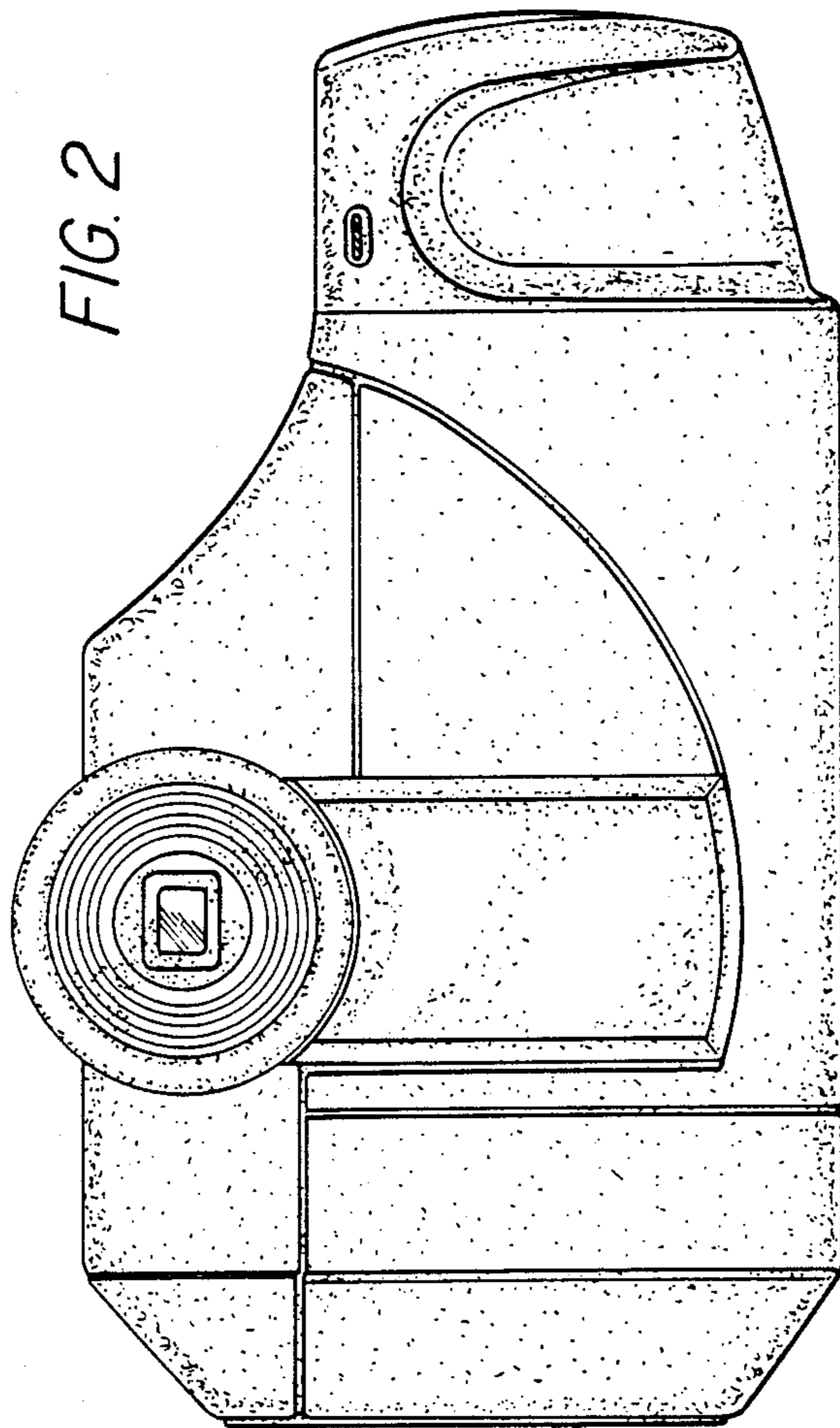


FIG. 3

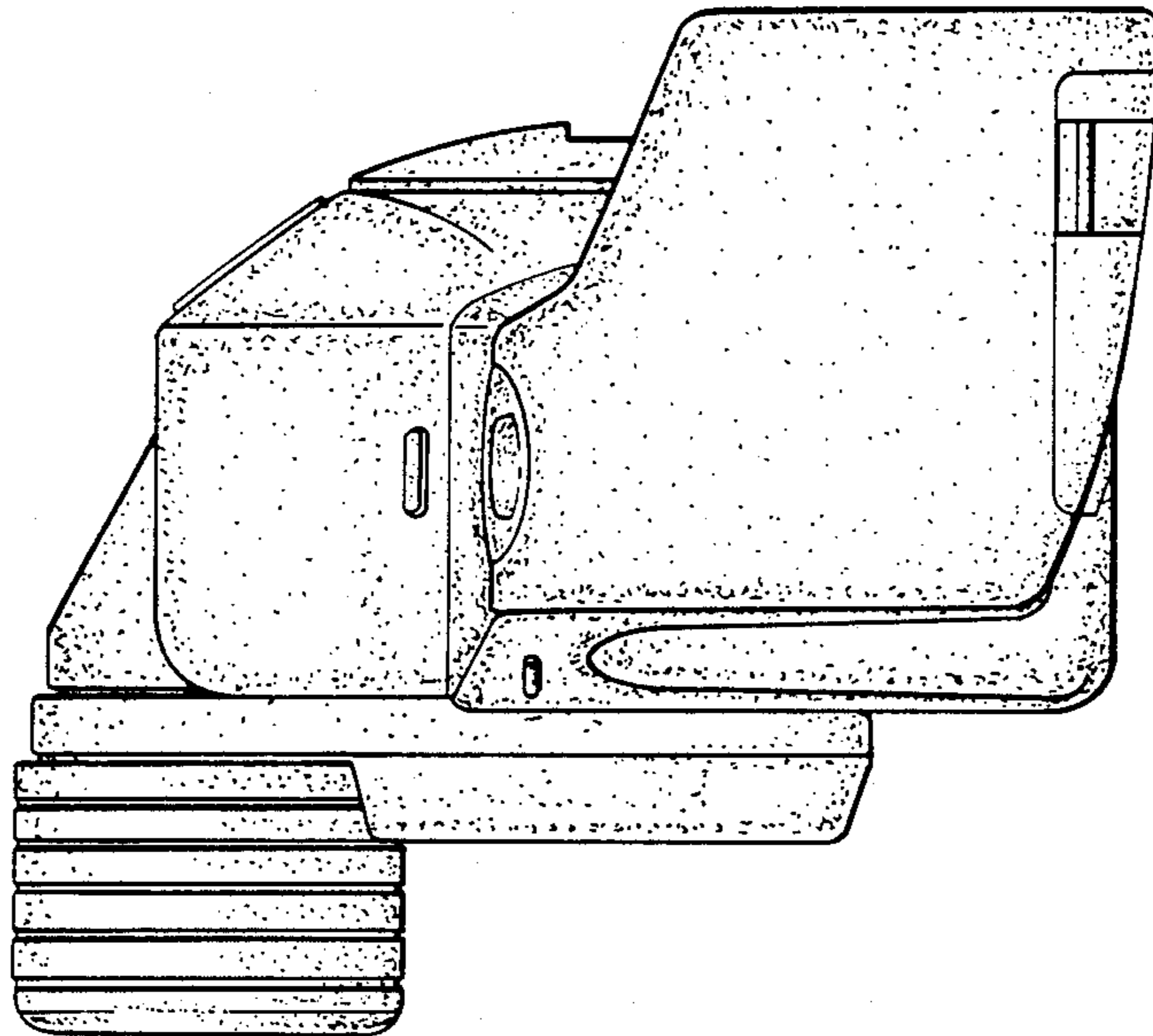


FIG. 4

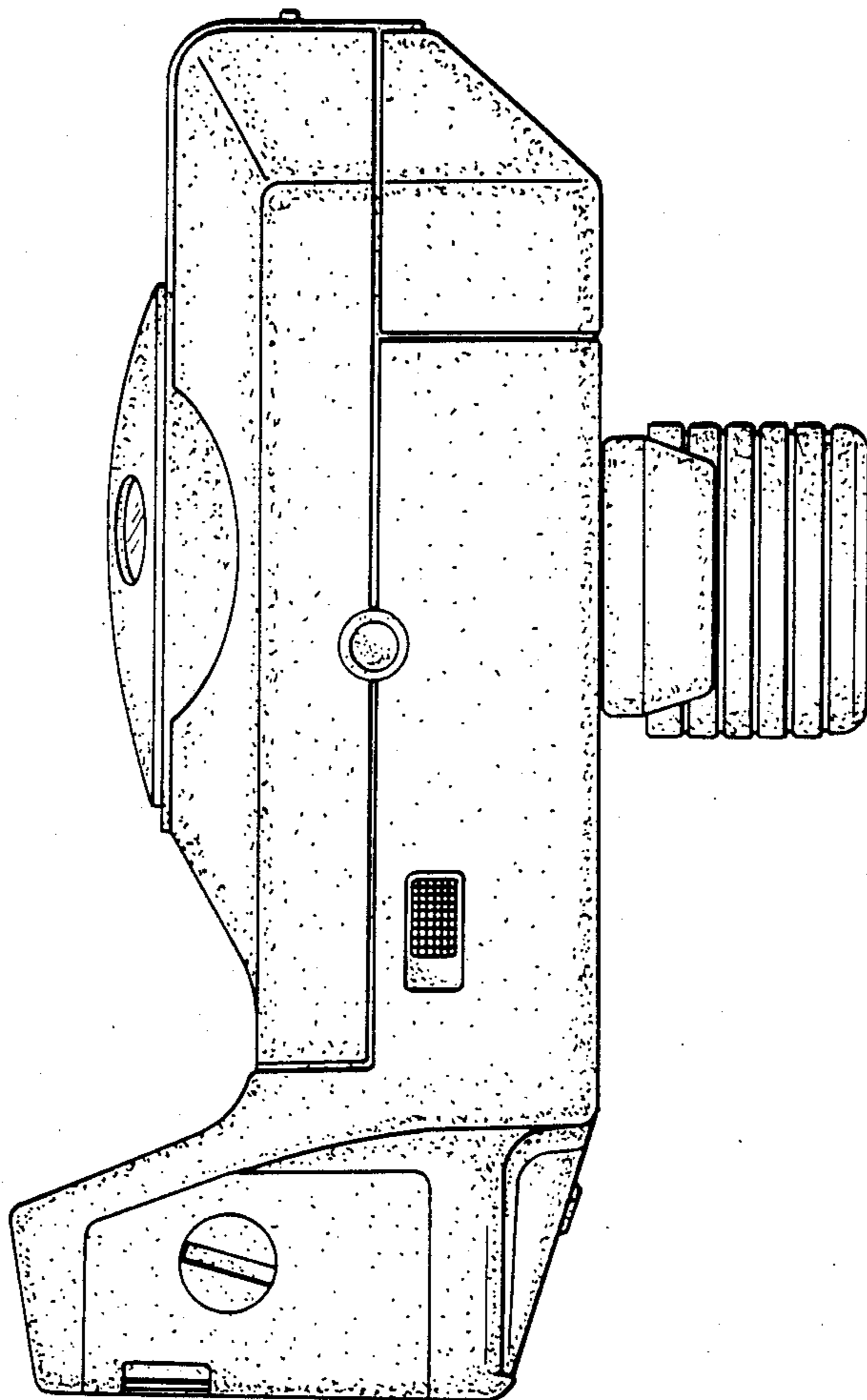


FIG. 5

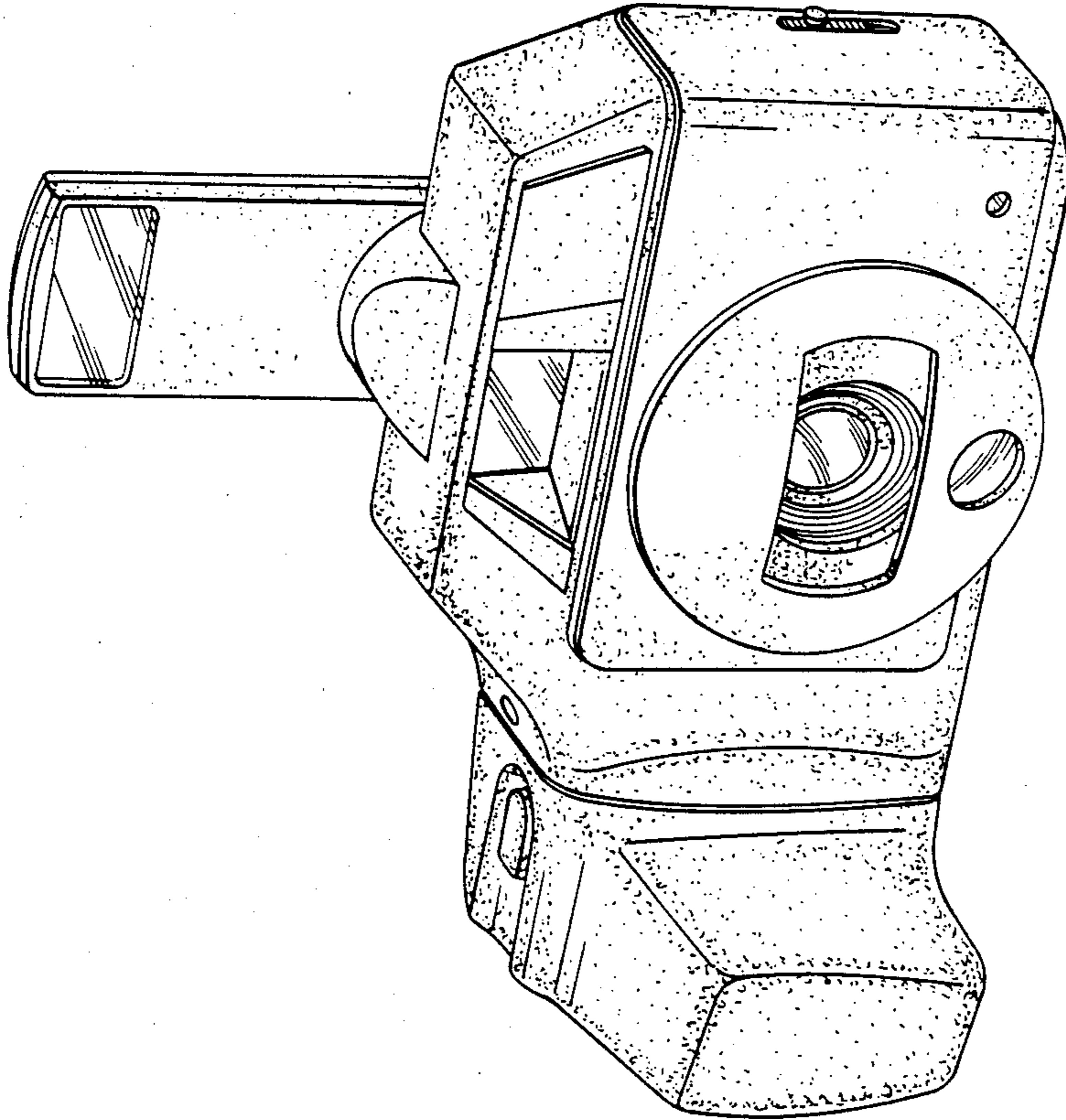


FIG. 6

