

# United States Patent [19]

Webb

[11] Patent Number: **Des. 313,418**

[45] Date of Patent: **\*\* Jan. 1, 1991**

[54] **SUMP-RISER HOUSING**

[76] Inventor: **Michael C. Webb, 15 E. Uwchlan Ave., Exton, Pa. 19341**

[\*\*] Term: **14 Years**

[21] Appl. No.: **254,130**

[22] Filed: **Oct. 6, 1988**

[52] U.S. Cl. .... **D15/7**

[58] Field of Search ..... **D15/7, 8, 9; 73/40, 73/40.1, 40.5 R, 49.2; 417/411, 423.3, 423.14, 434, 367, 424.1, 368, 366; 415/199.3, 199.2, 214.1; 310/87**

[56] **References Cited**

**U.S. PATENT DOCUMENTS**

D. 229,235 11/1973 Bunch ..... D15/7  
1,714,734 5/1929 Skidmore, Jr. .... 417/424.1 X

2,540,708 2/1951 Bowden et al. .... 417/231  
3,093,083 6/1963 Nielsen ..... 417/423.14 X  
3,407,739 10/1968 Myers ..... 417/423.14  
3,726,606 4/1973 Peters ..... 417/411  
4,293,288 10/1981 Weber ..... 417/423.3 X  
4,632,643 12/1986 Nielsen ..... 310/87 X

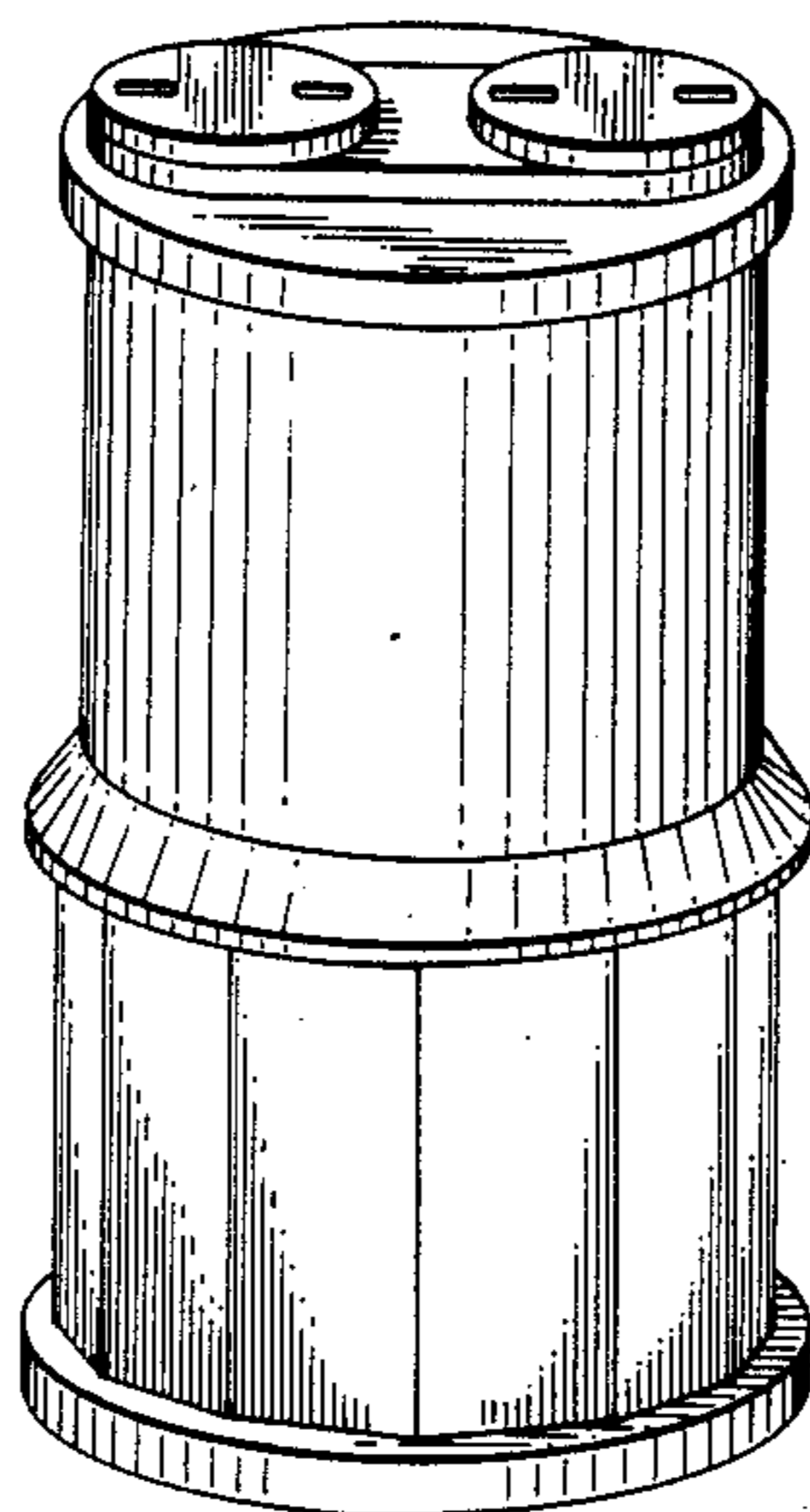
*Primary Examiner*—A. Hugo Word  
*Assistant Examiner*—Doris V. Coles

[57] **CLAIM**

The ornamental design for a sump-riser housing, as shown and described.

**DESCRIPTION**

FIG. 1 is a side elevational view of a sump-riser housing, showing my new design;  
FIG. 2 is a top plan view thereof;  
FIG. 3 is a bottom view thereof; and  
FIG. 4 is a top perspective view thereof.



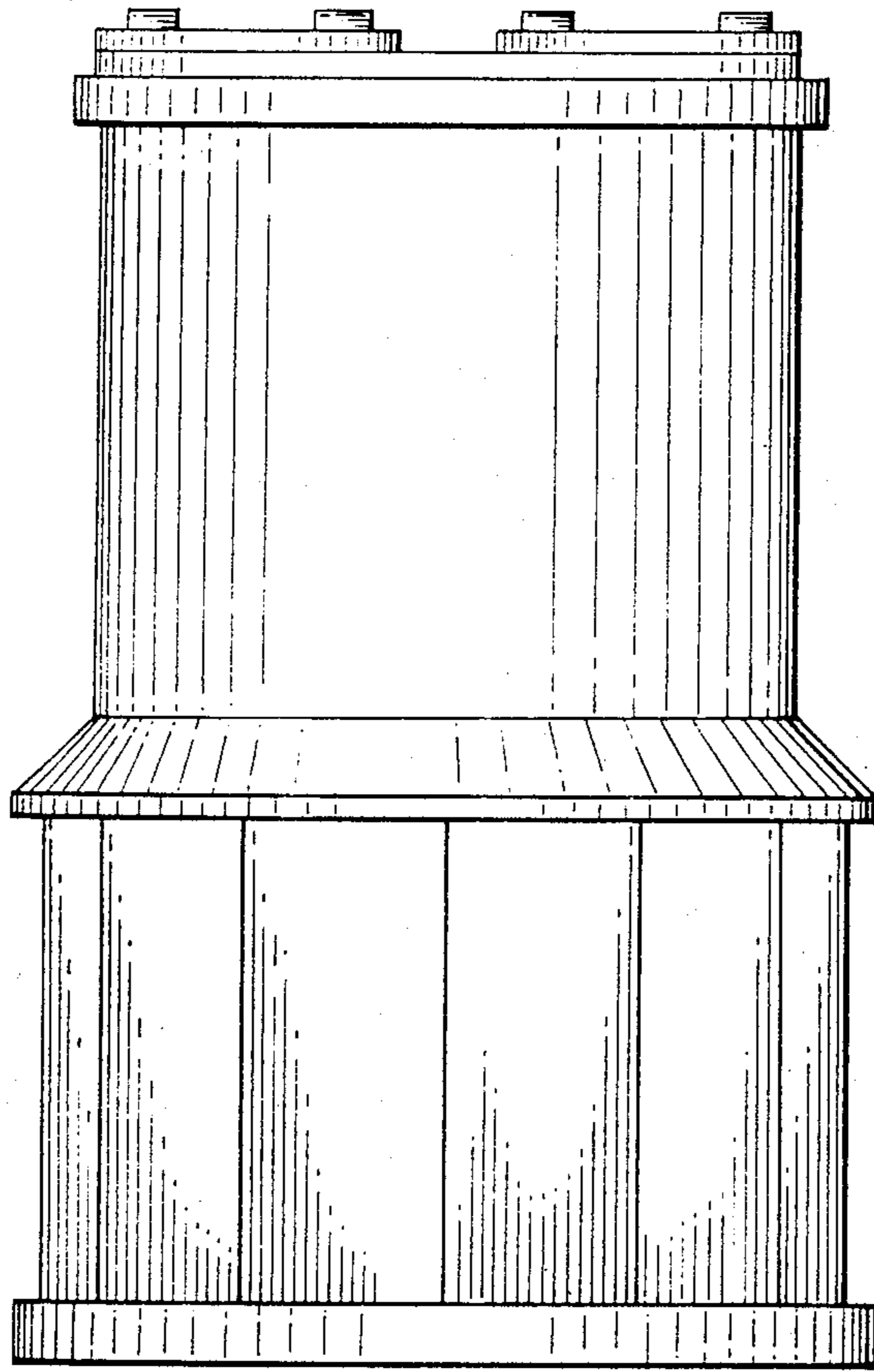


FIG. 1

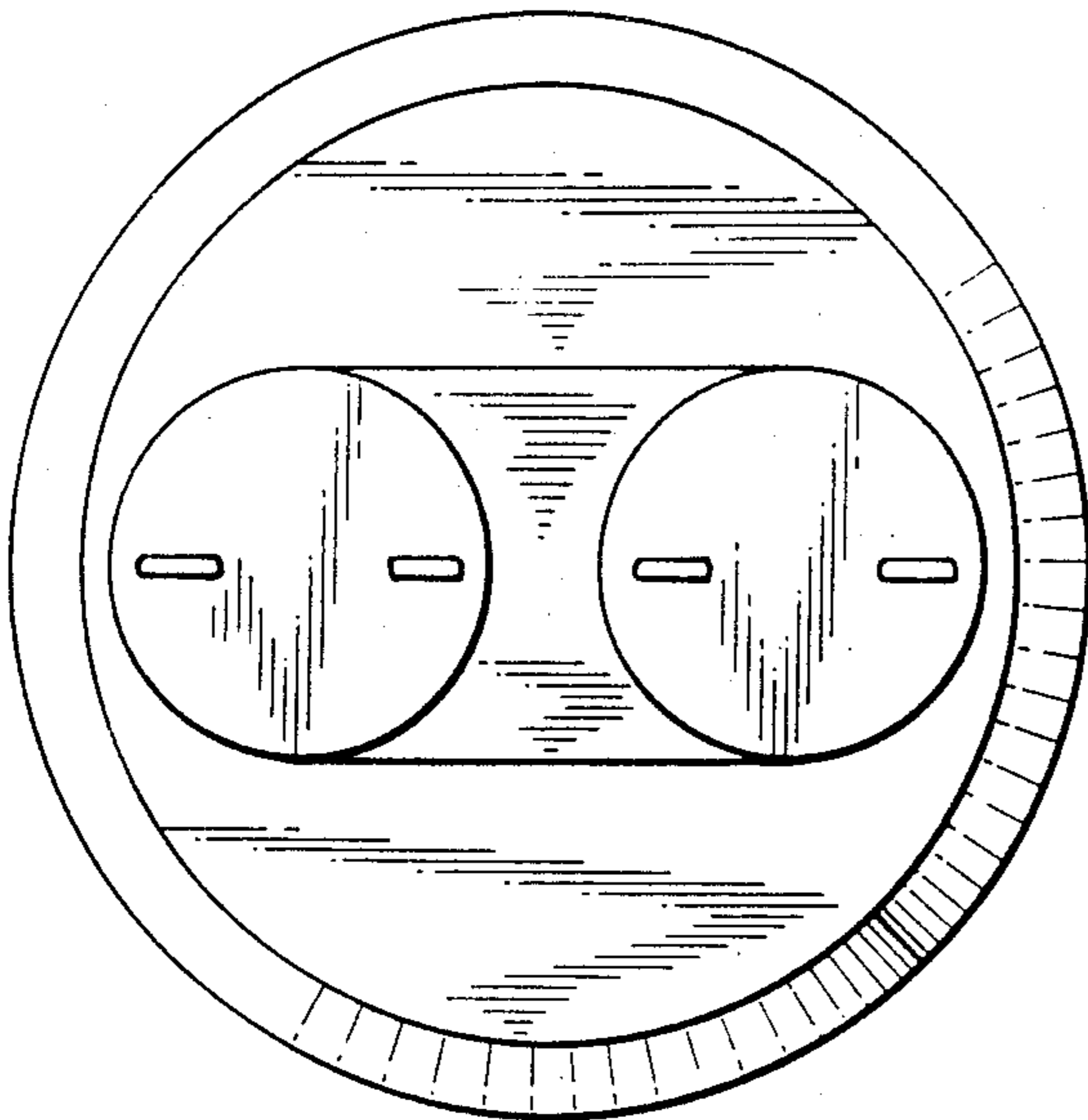


FIG. 2

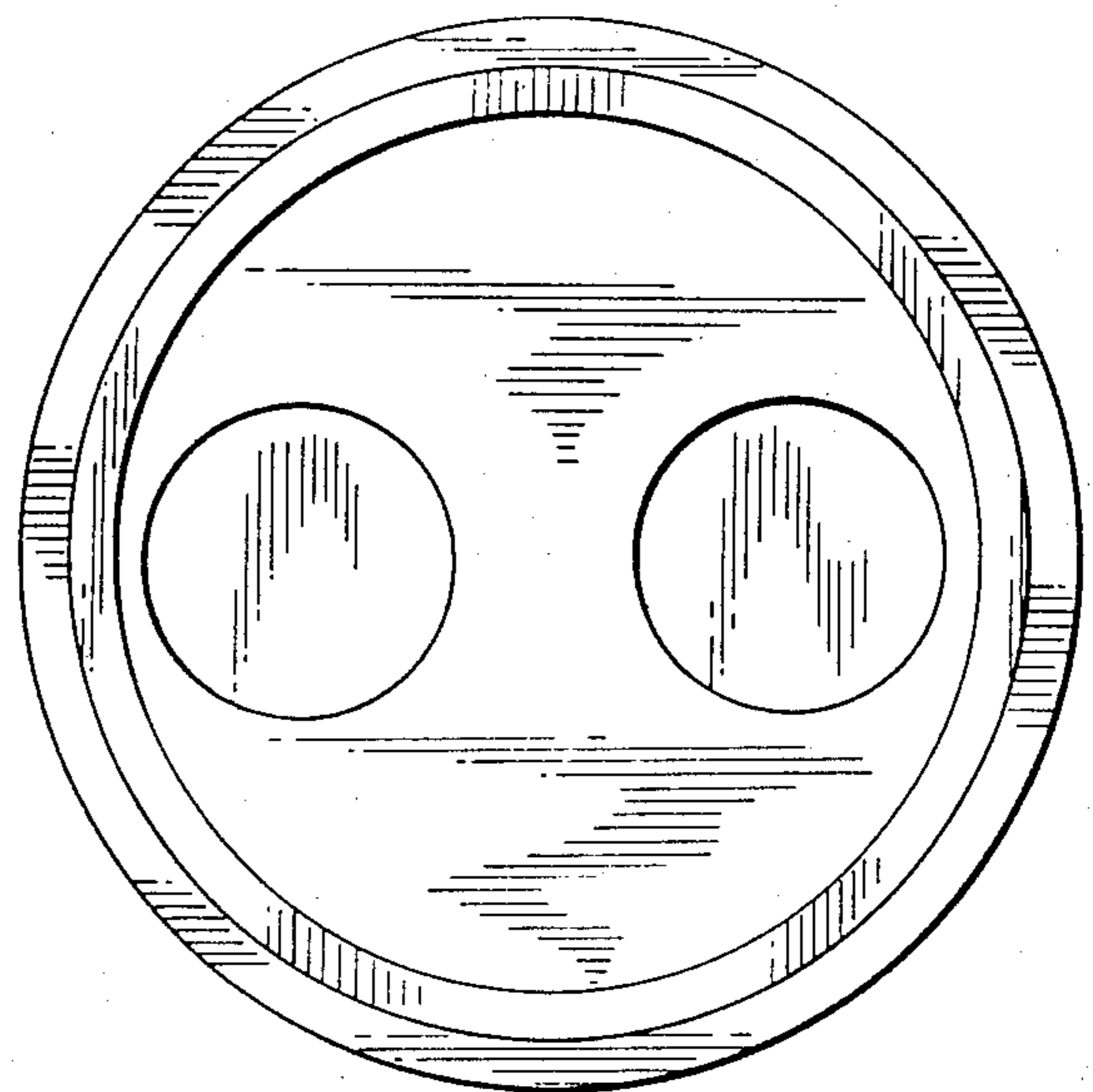


FIG. 3

FIG. 4

