

# United States Patent [19]

Graham et al.

[11] Patent Number: **Des. 313,417**

[45] Date of Patent: **\*\* Jan. 1, 1991**

[54] **TELEPHONE NETWORK INTERFACE APPARATUS**

[75] Inventors: **Thomas G. Graham, Ocean; Thomas J. Collins, Wall; Joseph J. Paddock, Kinnelon, all of N.J.**

[73] Assignee: **Keptel, Inc., Tinton Falls, N.J.**

[\*\*] Term: **14 Years**

[21] Appl. No.: **216,258**

[22] Filed: **Jul. 7, 1988**

[52] U.S. Cl. .... **D14/240**

[58] Field of Search ..... **D14/240, 256; 379/438, 379/412, 399, 437; D13/40; 439/535, 521**

[56] **References Cited**

**U.S. PATENT DOCUMENTS**

|            |         |                     |           |
|------------|---------|---------------------|-----------|
| D. 287,583 | 1/1987  | Smith et al. ....   | D14/240 X |
| D. 292,089 | 9/1987  | Smith et al. ....   | D14/240   |
| D. 297,136 | 8/1988  | Collins et al. .... | D14/240   |
| D. 299,130 | 12/1988 | Smith et al. ....   | D13/40 X  |
| D. 304,339 | 10/1989 | Collins et al. .... | D14/240   |

|           |        |                     |           |
|-----------|--------|---------------------|-----------|
| 4,741,032 | 4/1988 | Hampton .....       | 379/399   |
| 4,749,359 | 6/1988 | White .....         | 379/438 X |
| 4,800,588 | 1/1989 | Poster, Jr. ....    | 379/412   |
| 4,827,504 | 5/1989 | Collins et al. .... | 379/399   |
| 4,853,960 | 8/1989 | Smith .....         | 379/412 X |

*Primary Examiner*—Horace B. Fay, Jr.

*Attorney, Agent, or Firm*—R. Gale Rhodes, Jr.

[57] **CLAIM**

The ornamental design for a telephone network interface apparatus, as shown and described.

**DESCRIPTION**

FIG. 1 is a front elevational view of a telephone network interface apparatus showing our new design in closed position;

FIG. 2 is a right side elevational view thereof;

FIG. 3 is a rear elevational view thereof;

FIG. 4 is a left side elevational view thereof;

FIG. 5 is a front, right and bottom perspective view thereof, with the subscriber cover in fully opened position, and

FIGS. 6 and 7 are respectively bottom and top plan views thereof.

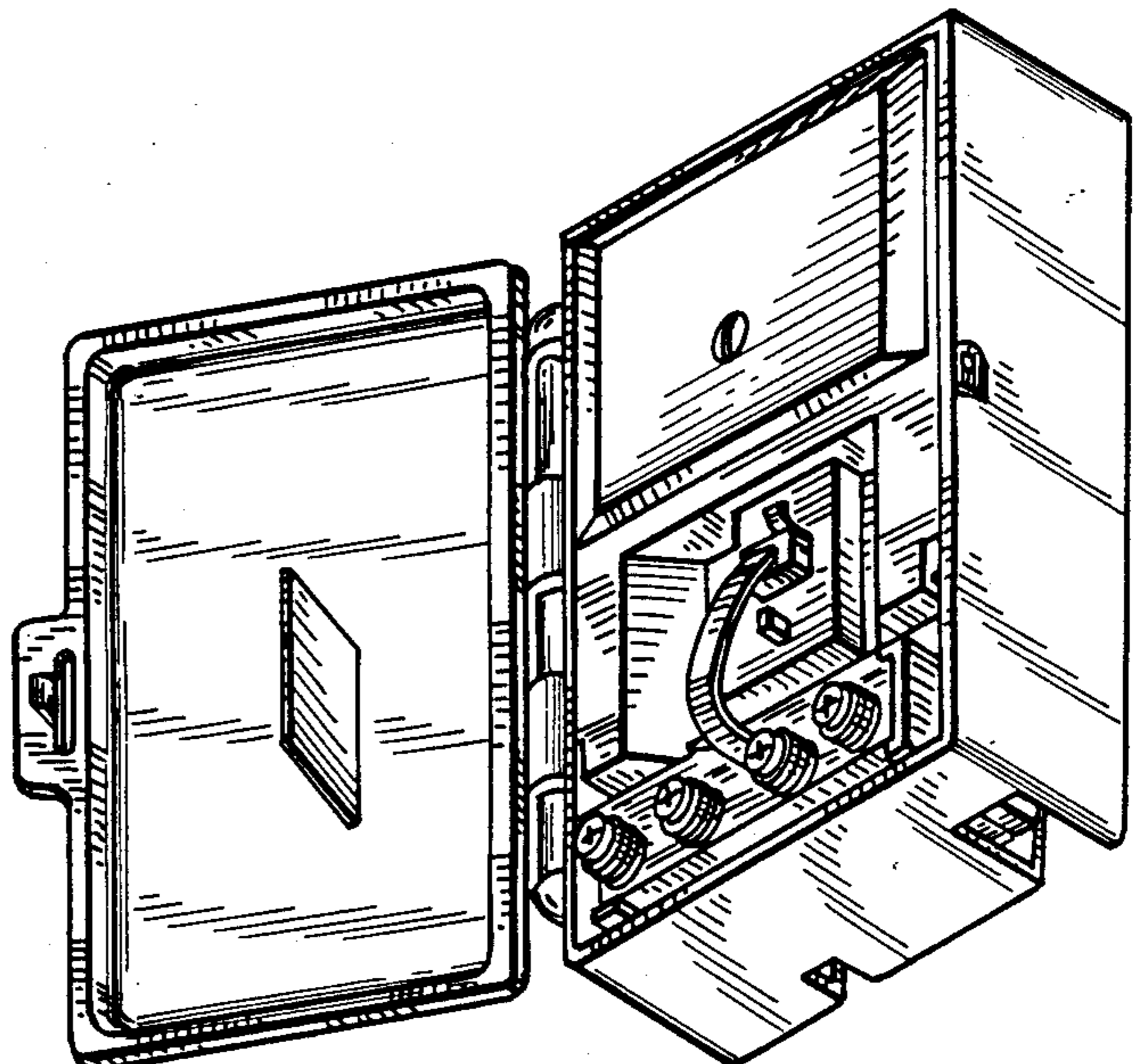
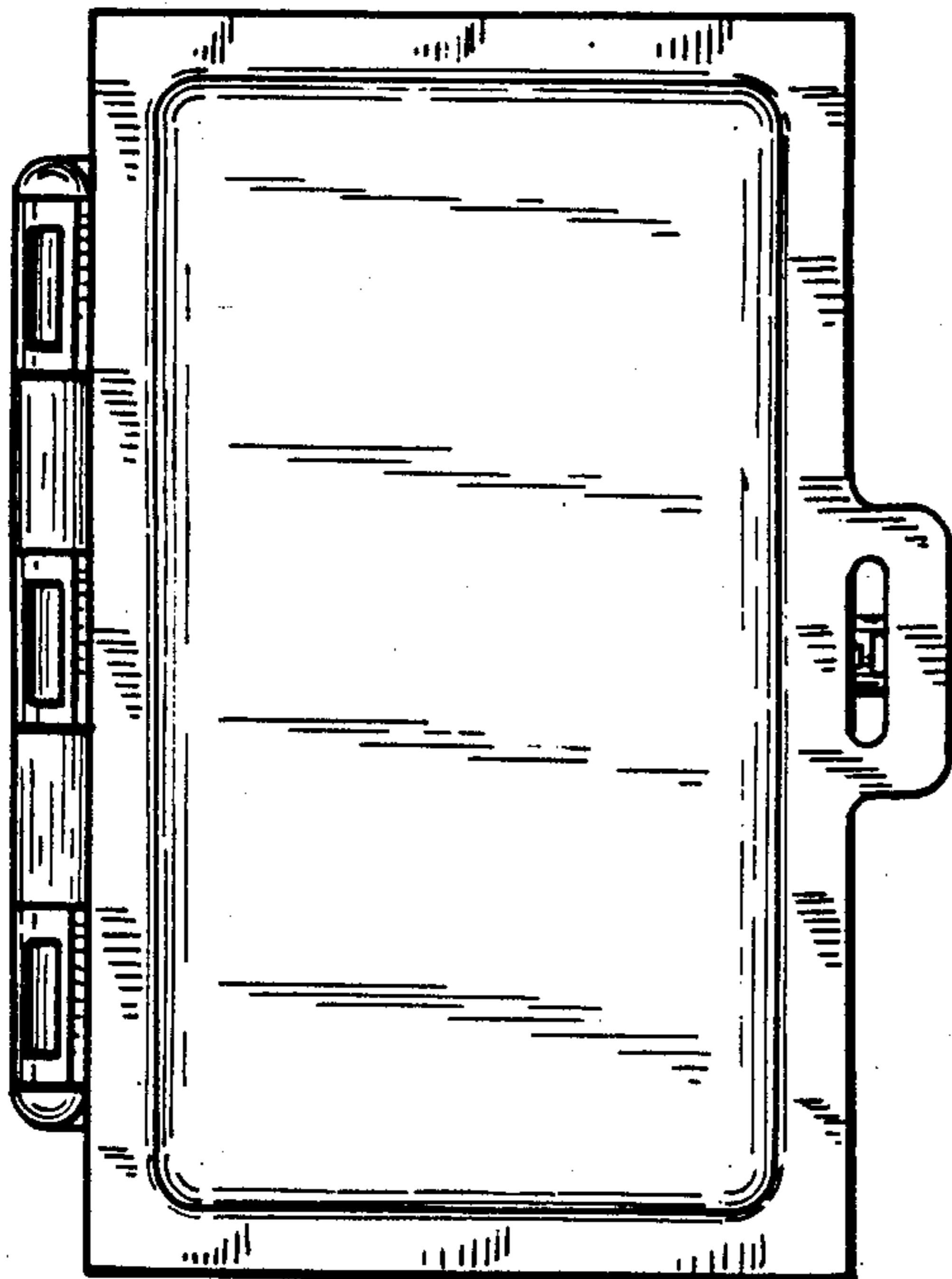


FIG. 1

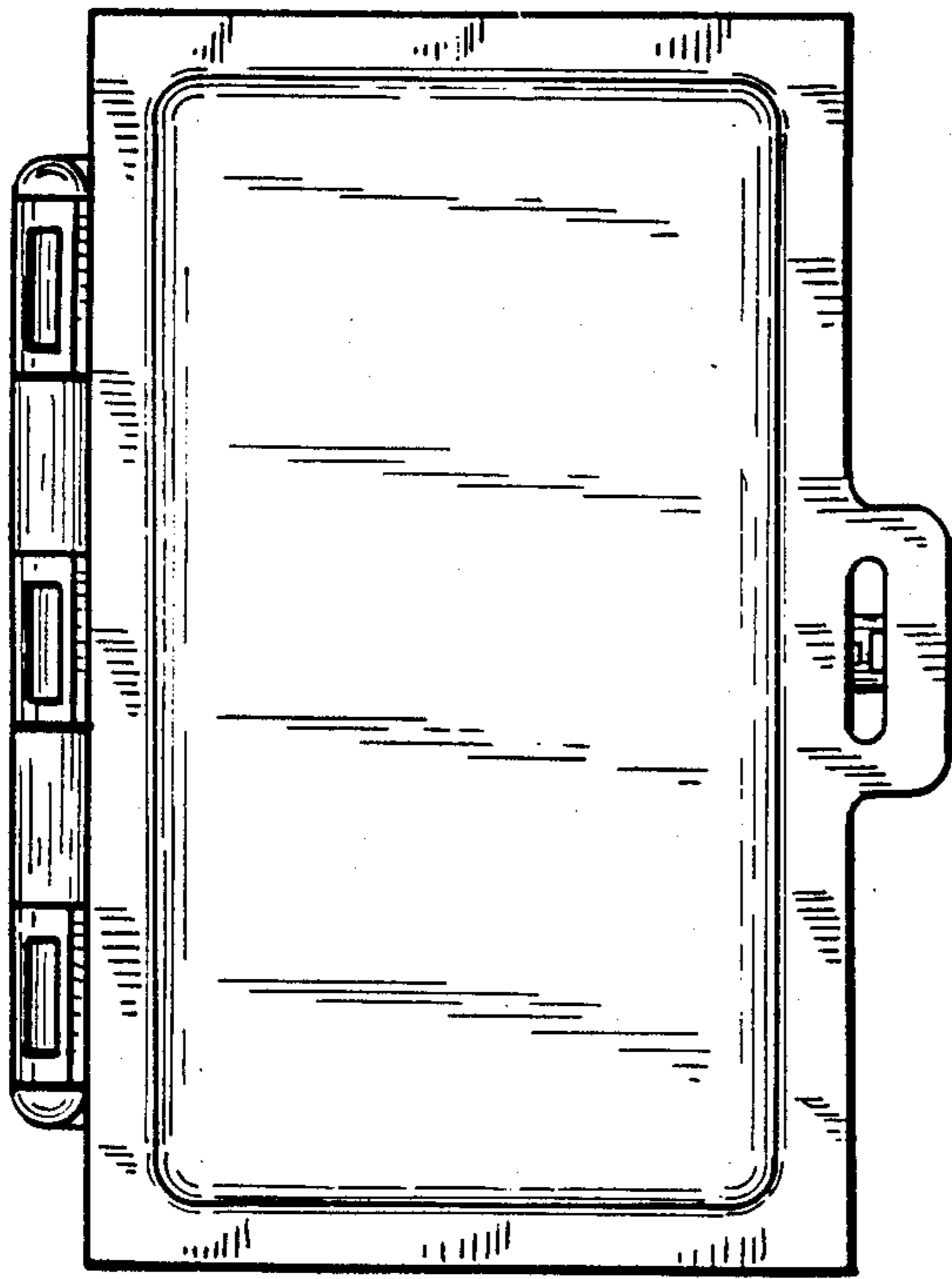


FIG. 2

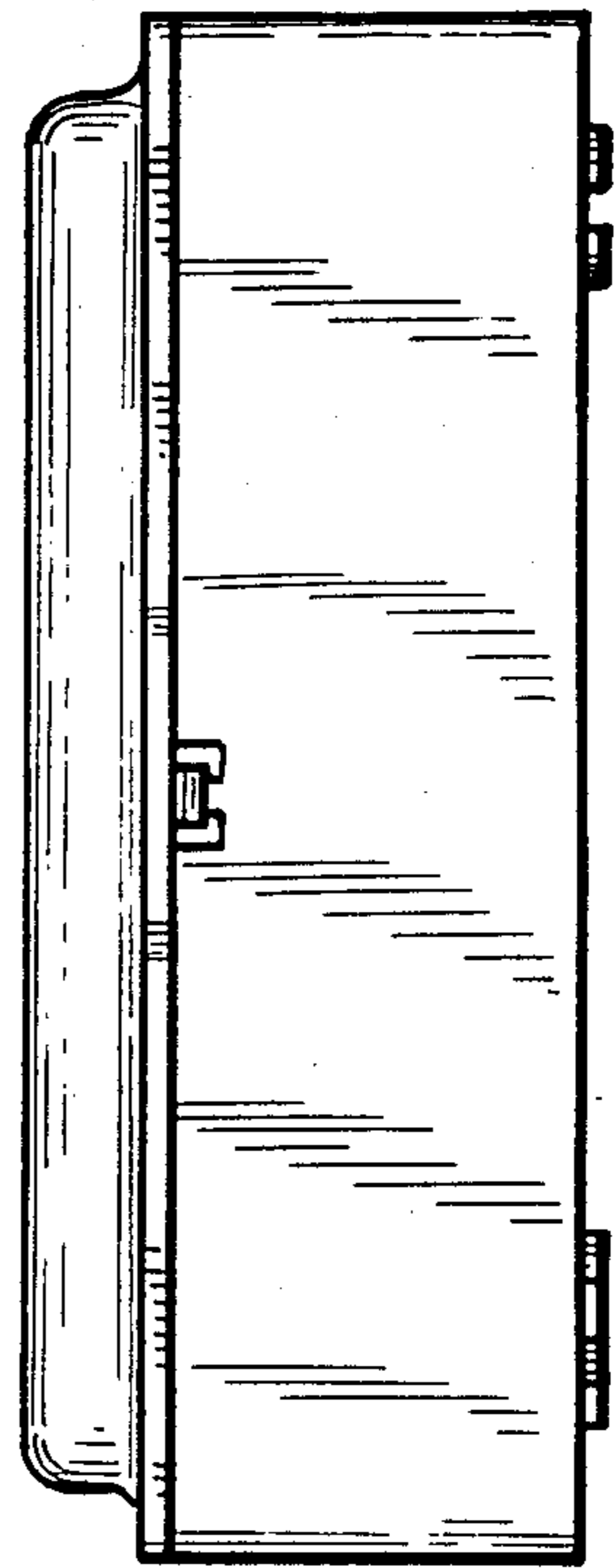


FIG. 3

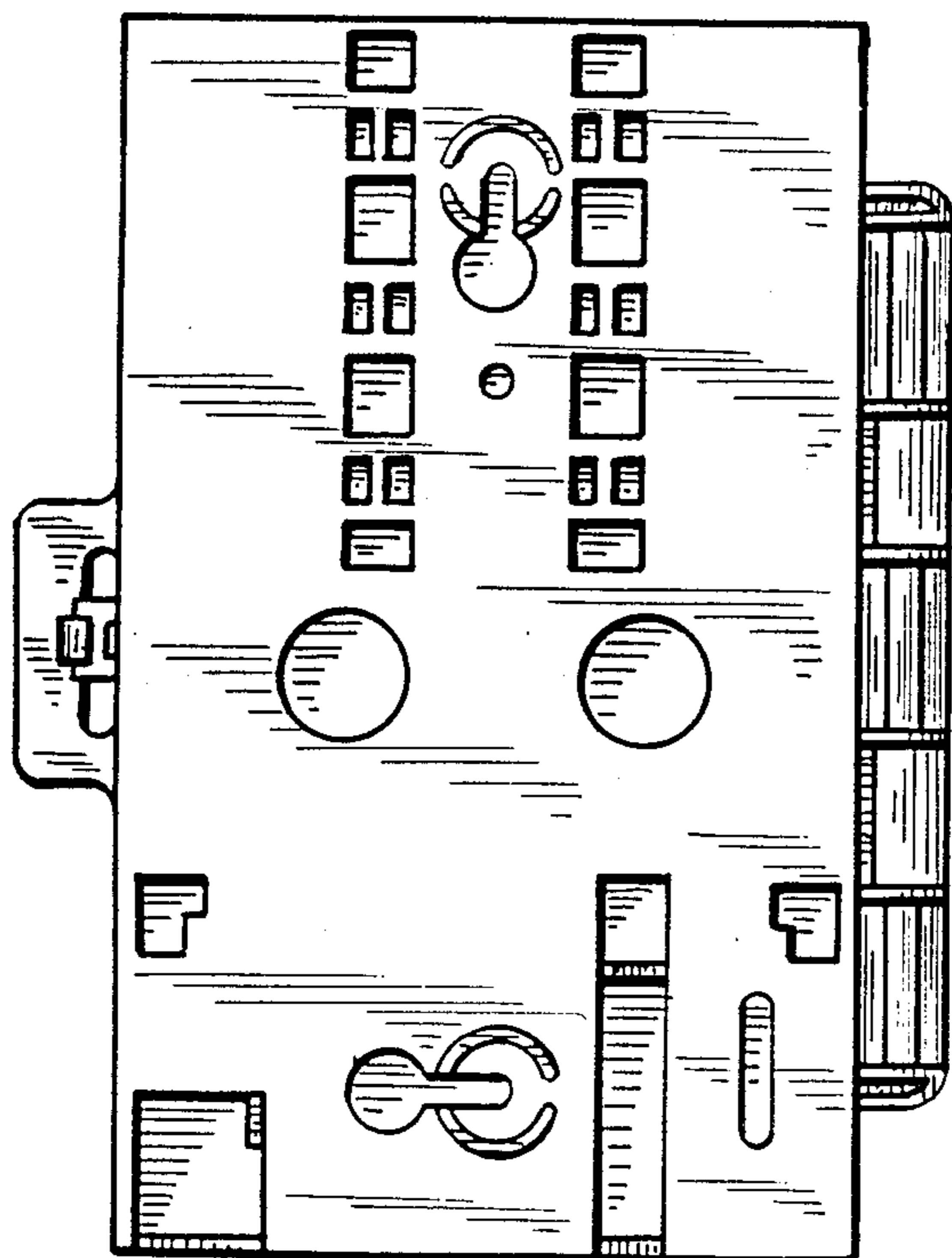


FIG. 4

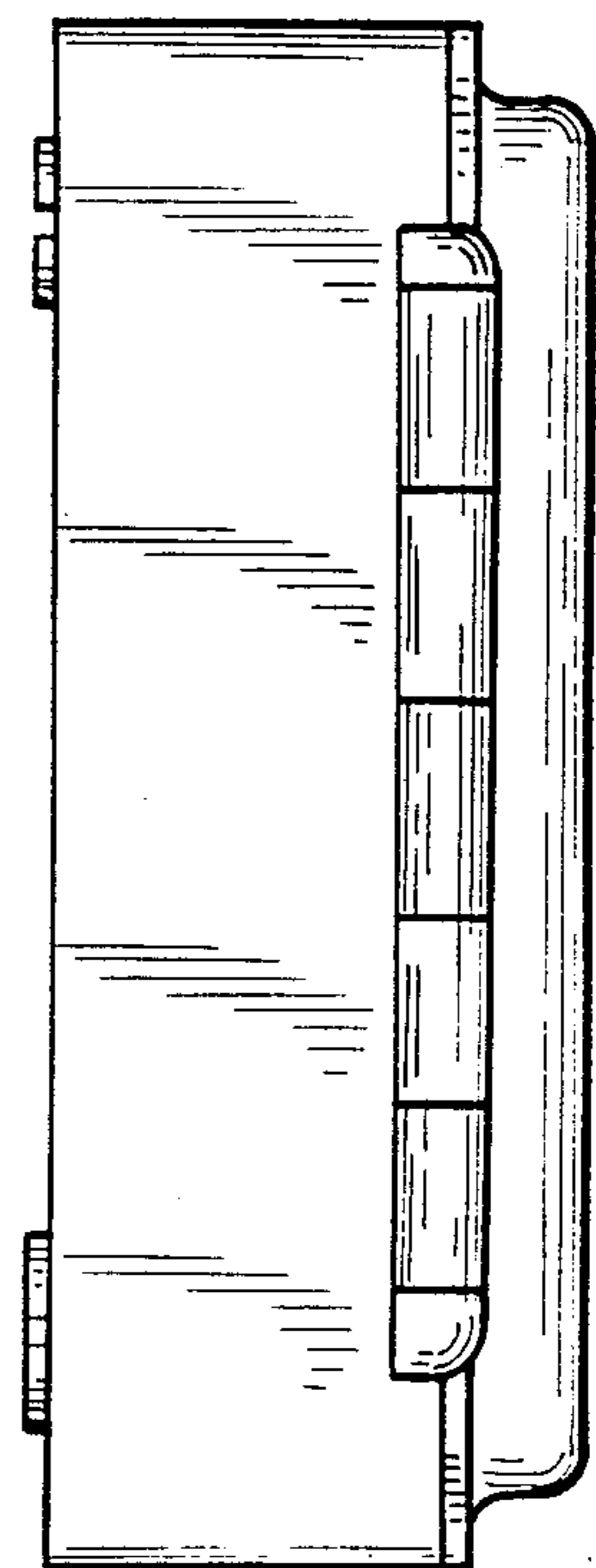


FIG. 5

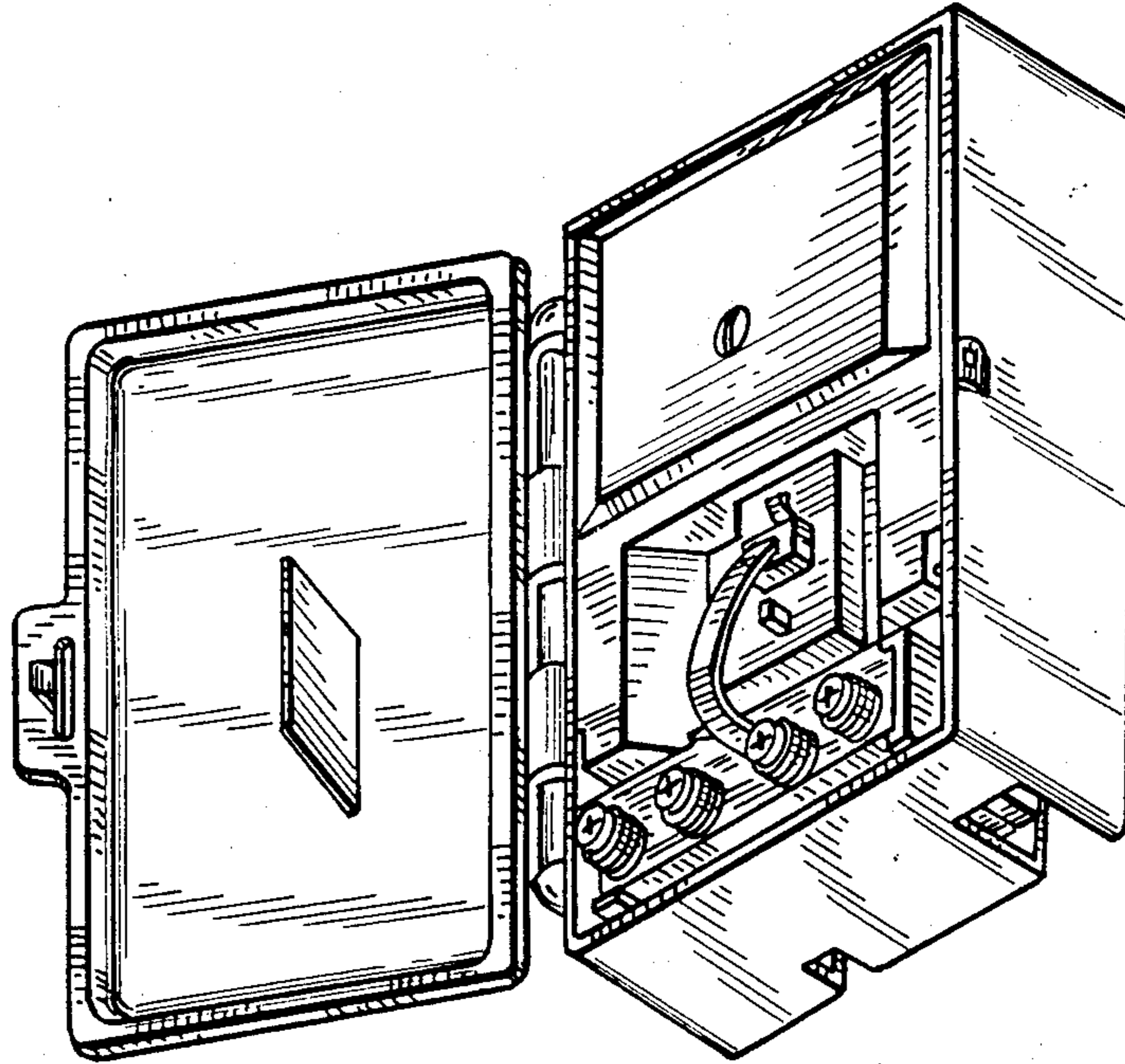


FIG. 6

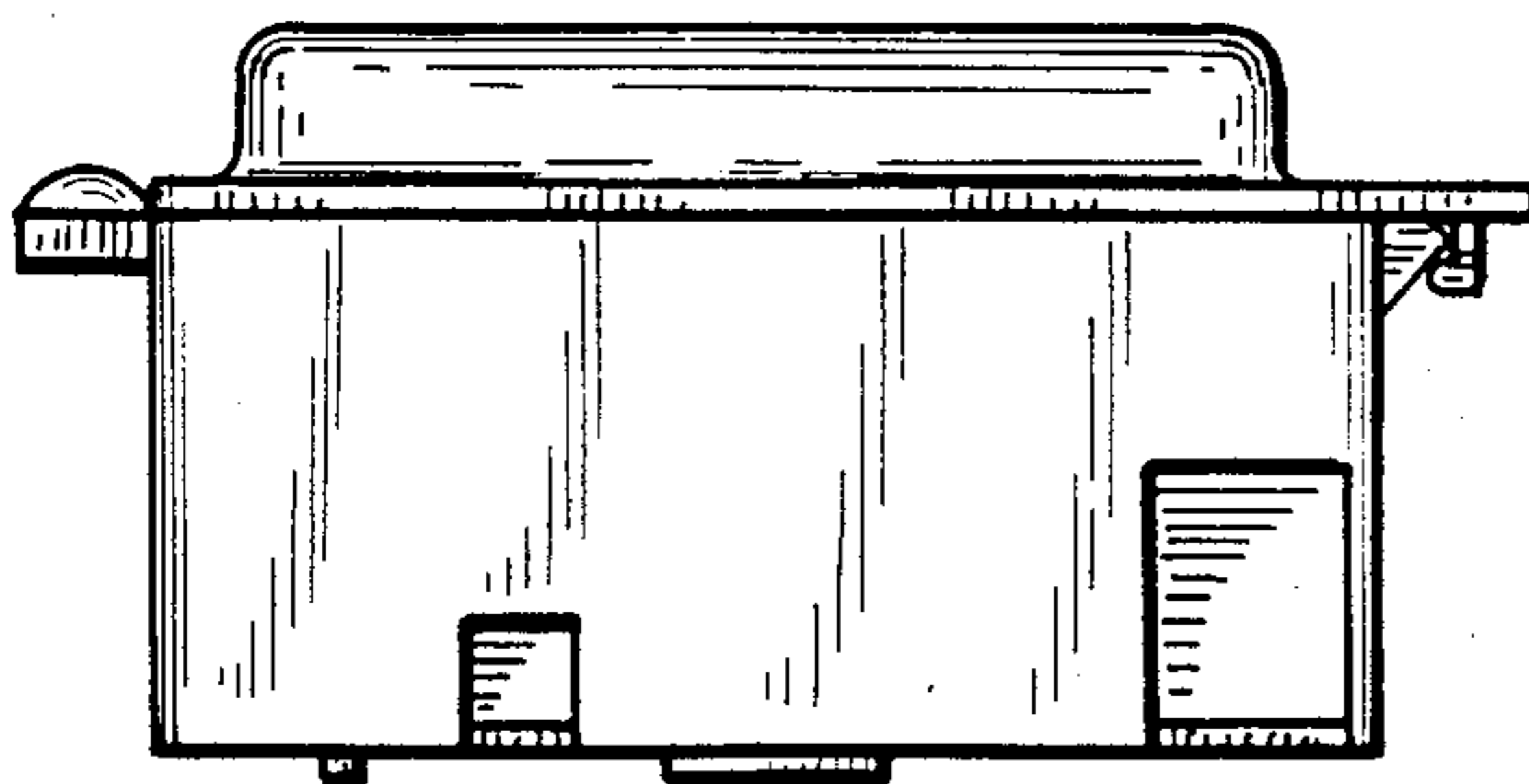


FIG. 7

