

[54] **PORTABLE ENTERTAINMENT AND COMMUNICATION UNIT**

[76] **Inventor: David M. DeWitt, 1650 Magnolia Ave., Long Beach, Calif. 90813**

[**] **Term: 14 Years**

[21] **Appl. No.: 25,870**

[22] **Filed: Mar. 16, 1987**

[52] **U.S. Cl. D14/186**

[58] **Field of Search D14/157, 162-163, D14/185-186, 188, 164-165, 201, 225, 226, 124, 137, 168, 199; 455/344, 350, 351**

[56] **References Cited**

U.S. PATENT DOCUMENTS

D. 210,539 3/1968 Wright D14/161

D. 220,882 6/1971 Pastor D14/165
D. 247,966 5/1978 Sieler D14/186
3,268,229 8/1966 Funk D14/201
4,227,258 10/1980 Root et al. 455/351
4,676,619 6/1987 Woolley 455/344

Primary Examiner—Melvin B. Feifer
Assistant Examiner—David Jeo
Attorney, Agent, or Firm—Stetina and Brunda

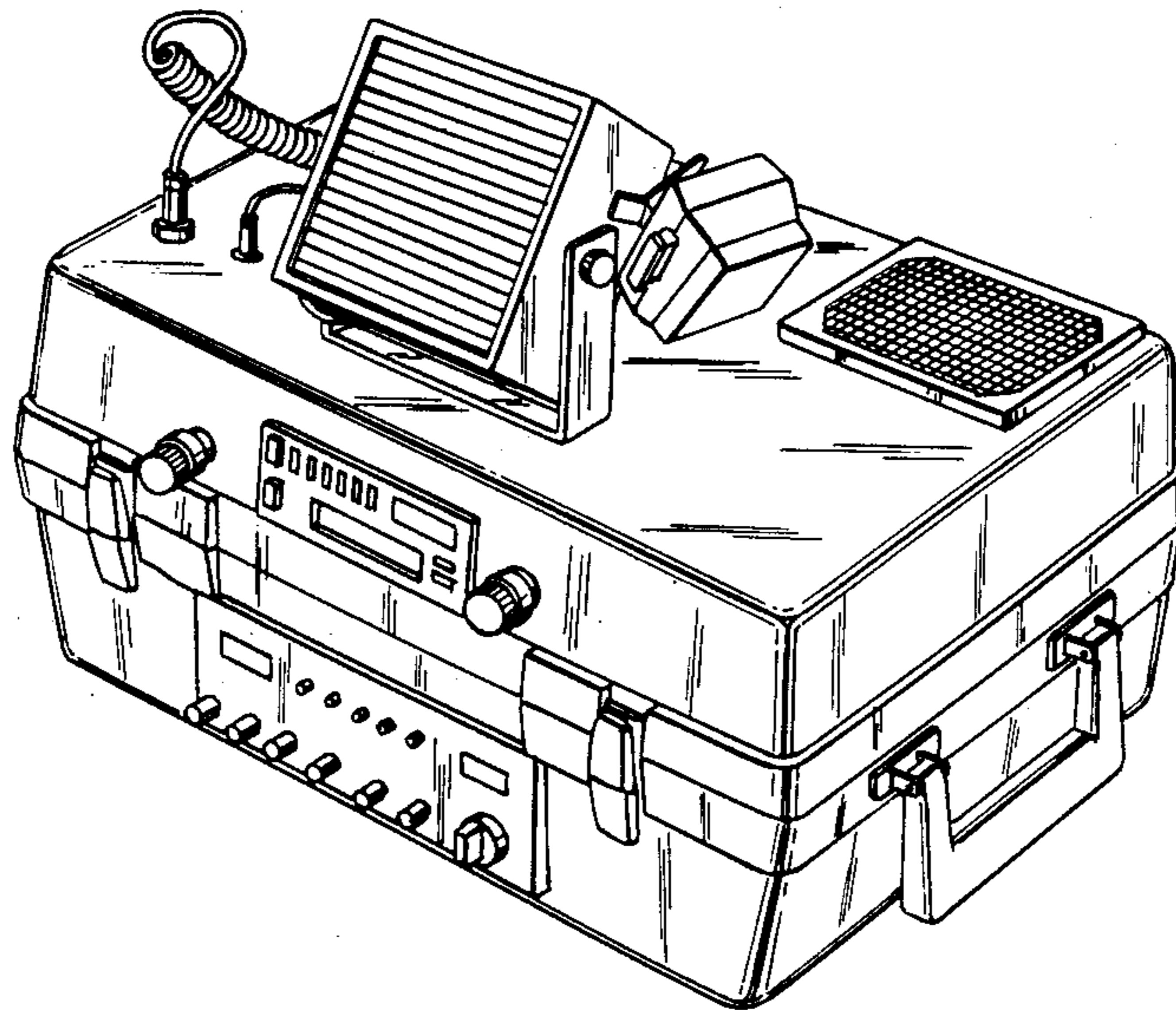
[57] **CLAIM**

The ornamental design for a portable entertainment and communication unit, as shown and described.

DESCRIPTION

FIG. 1 is a front top perspective view of a portable entertainment and communication unit showing my new design;

FIG. 2 is a rear top perspective view thereof; and
FIG. 3 is a rear bottom perspective view thereof.



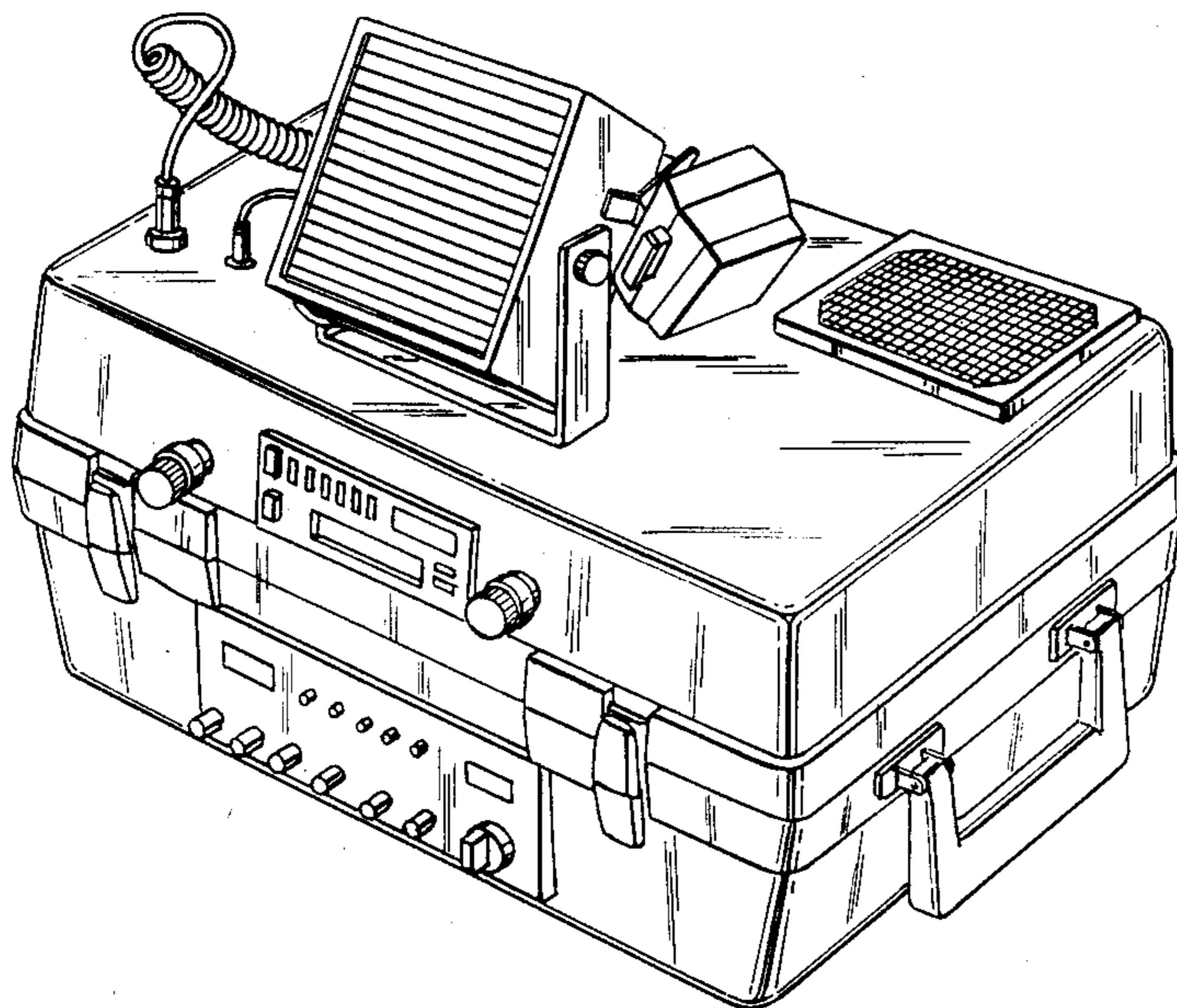


Fig. 1

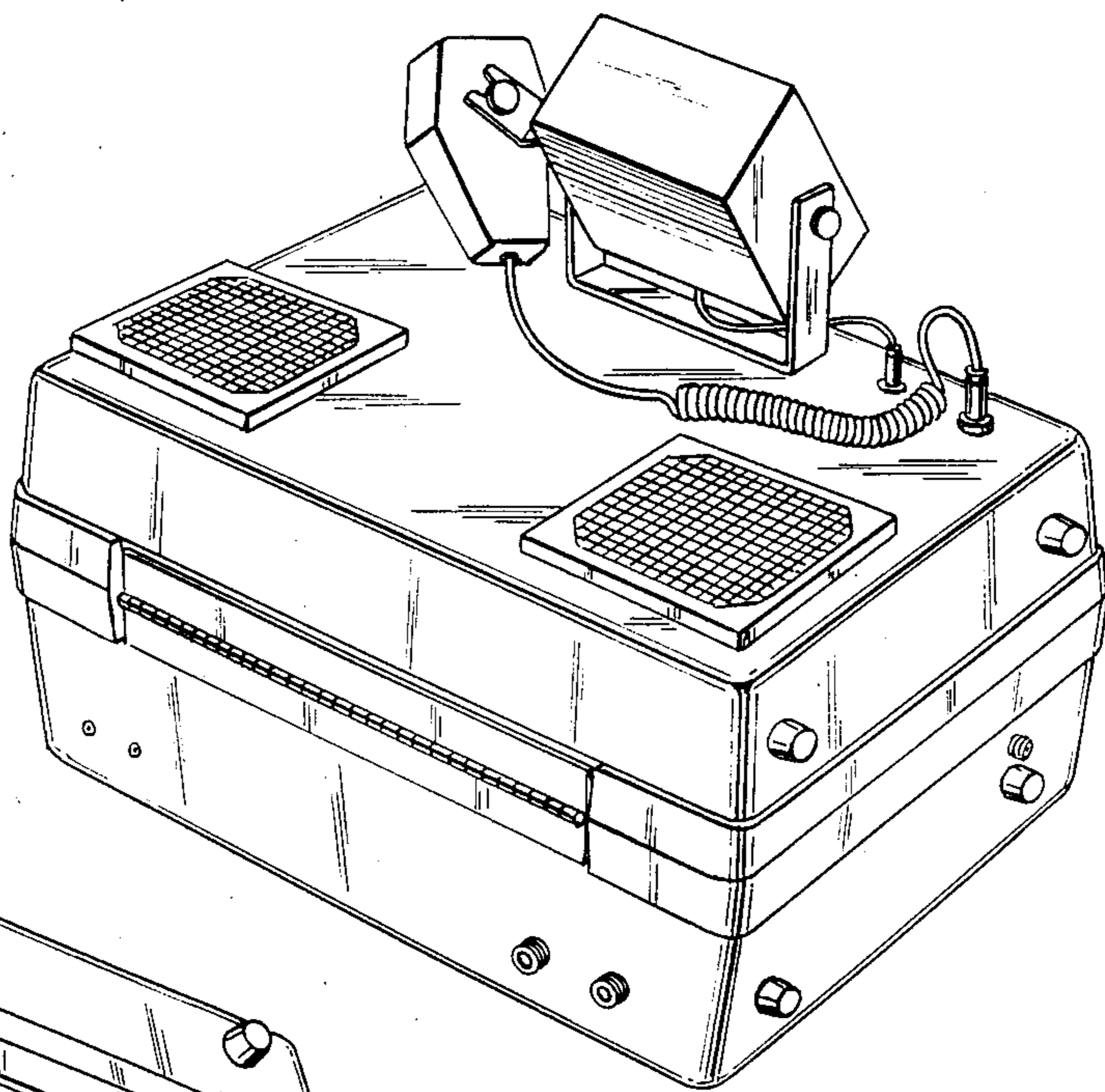


Fig. 2

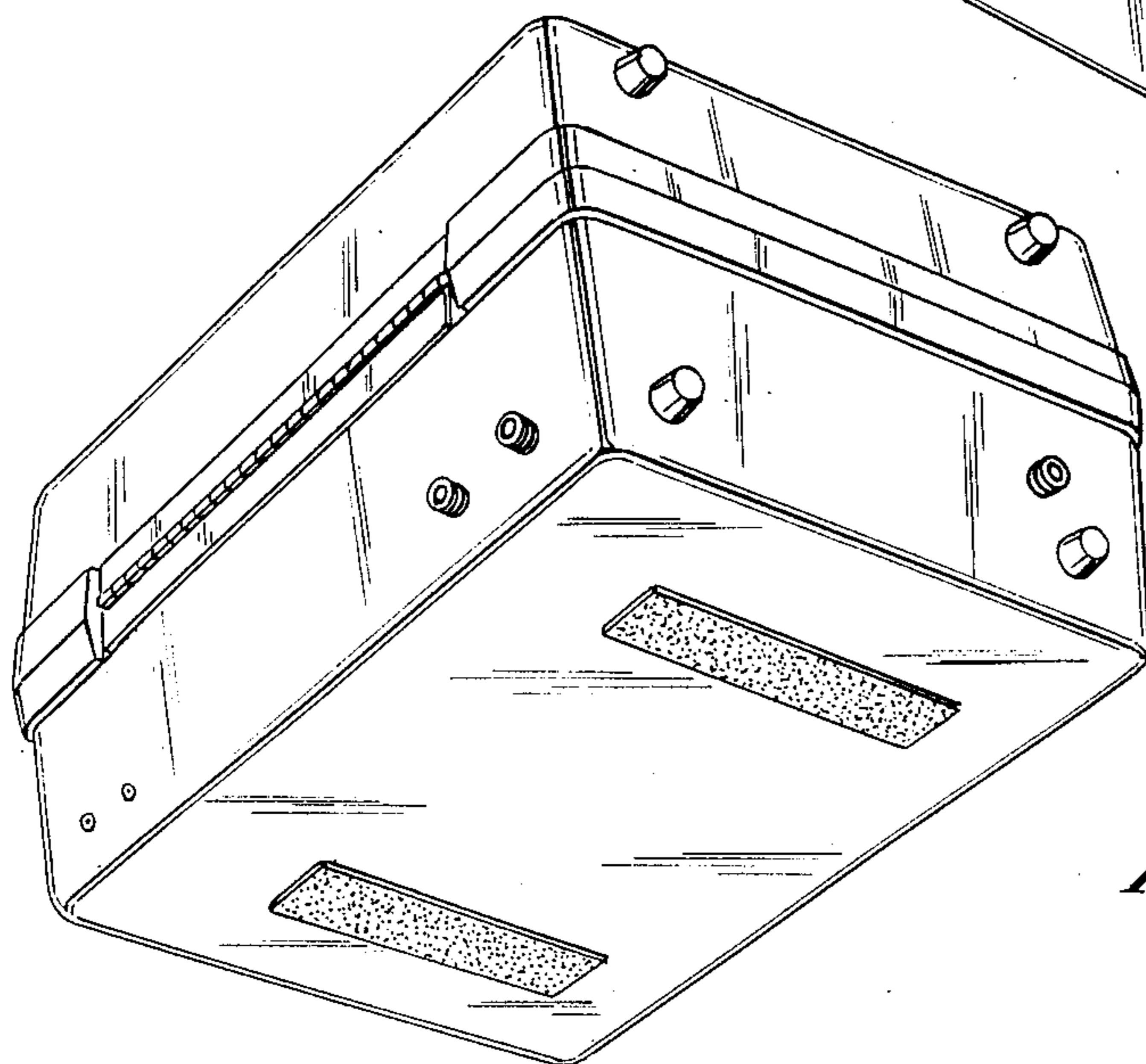


Fig. 3