

# United States Patent [19]

Holmgren

[11] Patent Number: Des. 313,412

[45] Date of Patent: \*\* Jan. 1, 1991

[54] LOCKING DEVICE FOR COMPACT DISC CASSETTE

[75] Inventor: Bertil Holmgren, Trelleborg, Sweden

[73] Assignee: MW Trading ApS, Glyngore, Denmark

[\*\*] Term: 14 Years

[21] Appl. No.: 893,150

[22] Filed: Aug. 4, 1986

[30] Foreign Application Priority Data

Mar. 2, 1986 [SE] Sweden ..... 86-025

[52] U.S. Cl. .... D14/120

[58] Field of Search ..... D14/114, 120, 121; D3/30.1; 206/309, 307, 387

[56] References Cited

### U.S. PATENT DOCUMENTS

3,495,716	2/1970	Gregory	206/387
3,828,922	8/1974	Holkestad	206/1.5
3,933,240	1/1976	Humble	206/1.5
4,046,255	9/1977	Ackeret	206/387

4,096,718	6/1978	Michelman et al.	70/63
4,285,429	8/1981	MacTavish	206/387
4,316,539	2/1982	Torrington	203/307
4,466,540	8/1984	Lotrous et al.	206/387
4,589,549	5/1986	Hehn	208/387
4,819,797	4/1986	Holmgren	206/309

### FOREIGN PATENT DOCUMENTS

2735151	8/1977	Fed. Rep. of Germany	.
8422027	7/1984	Fed. Rep. of Germany	.
531868	2/1973	Switzerland	.

Primary Examiner—Louis S. Zarfaz  
Assistant Examiner—R. T. Seifert  
Attorney, Agent, or Firm—Merchant, Gould, Smith, Edell, Welter & Schmidt

### [57] CLAIM

The ornamental design for a locking device for compact disc cassette, as shown and described.

### DESCRIPTION

FIG. 1 is a top rear left perspective view of a locking device for compact disc cassette showing my new design; and  
FIG. 2 is a bottom front left perspective view.

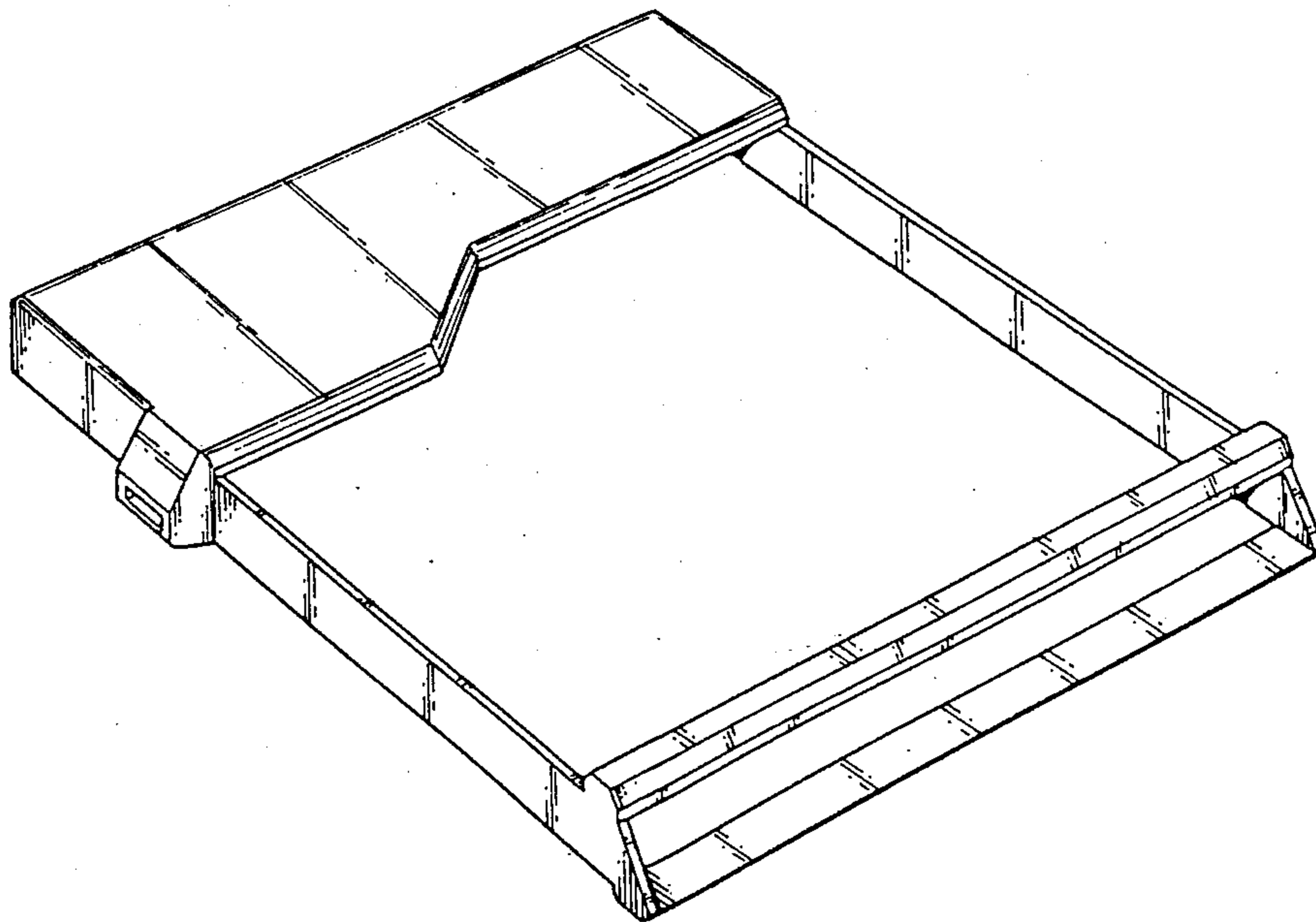


FIG. 1a

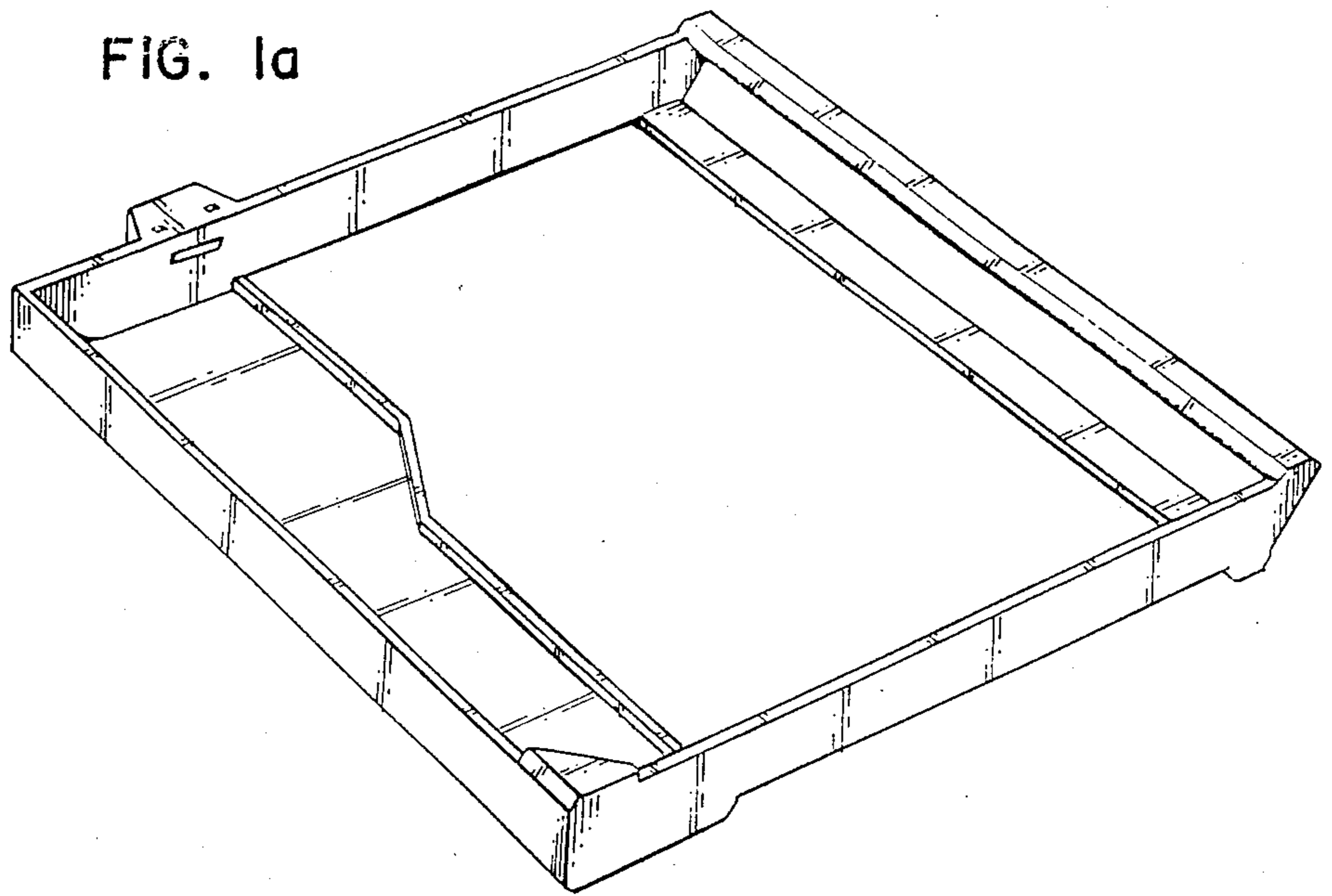


FIG. 1b

