

# United States Patent [19]

Weiser et al.

[11] Patent Number: **Des. 313,411**

[45] Date of Patent: **\*\* Jan. 1, 1991**

[54] **CORDLESS TELEPHONE**

[76] Inventors: **Margaret A. Weiser; Isaac Weiser,**  
both of 4760 Corbin Ave., Tarzana,  
Calif. 91356

[\*] Notice: The portion of the term of this patent  
subsequent to Sep. 5, 2006 has been  
disclaimed.

[\*\*] Term: **14 Years**

[21] Appl. No.: **346,152**

[22] Filed: **May 1, 1989**

[52] U.S. Cl. .... **D14/138; D14/147**

[58] Field of Search ..... **D14/138, 137, 147;**  
**379/420, 428, 433, 440, 55, 59, 60, 61; 455/89,**  
**90**

[56] **References Cited**

**U.S. PATENT DOCUMENTS**

D. 282,364 1/1986 Takahashi et al. .... D14/147 X  
D. 282,660 2/1986 Imazeki ..... D14/137 X  
D. 287,487 12/1986 Sasaki et al. .... D14/138

D. 289,896 5/1987 Martensson et al. .... D14/138  
D. 291,804 9/1987 George ..... D14/137  
D. 298,034 10/1988 Yoshiharu ..... D14/147  
D. 302,423 7/1989 Martensson et al. .... D14/138  
D. 303,258 9/1989 Weiser et al. .... D14/138  
4,621,373 11/1986 Hodsdon ..... 455/89

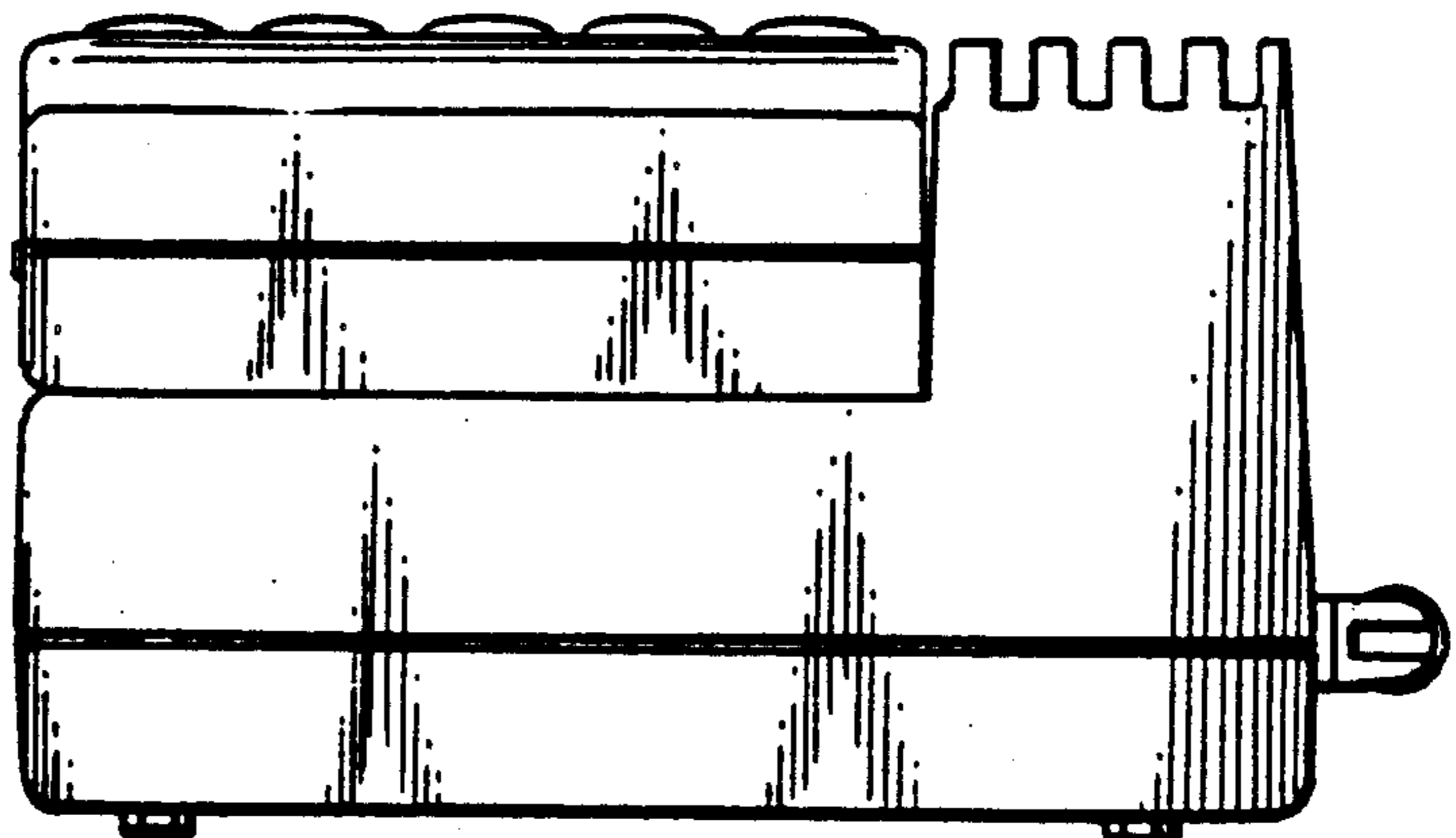
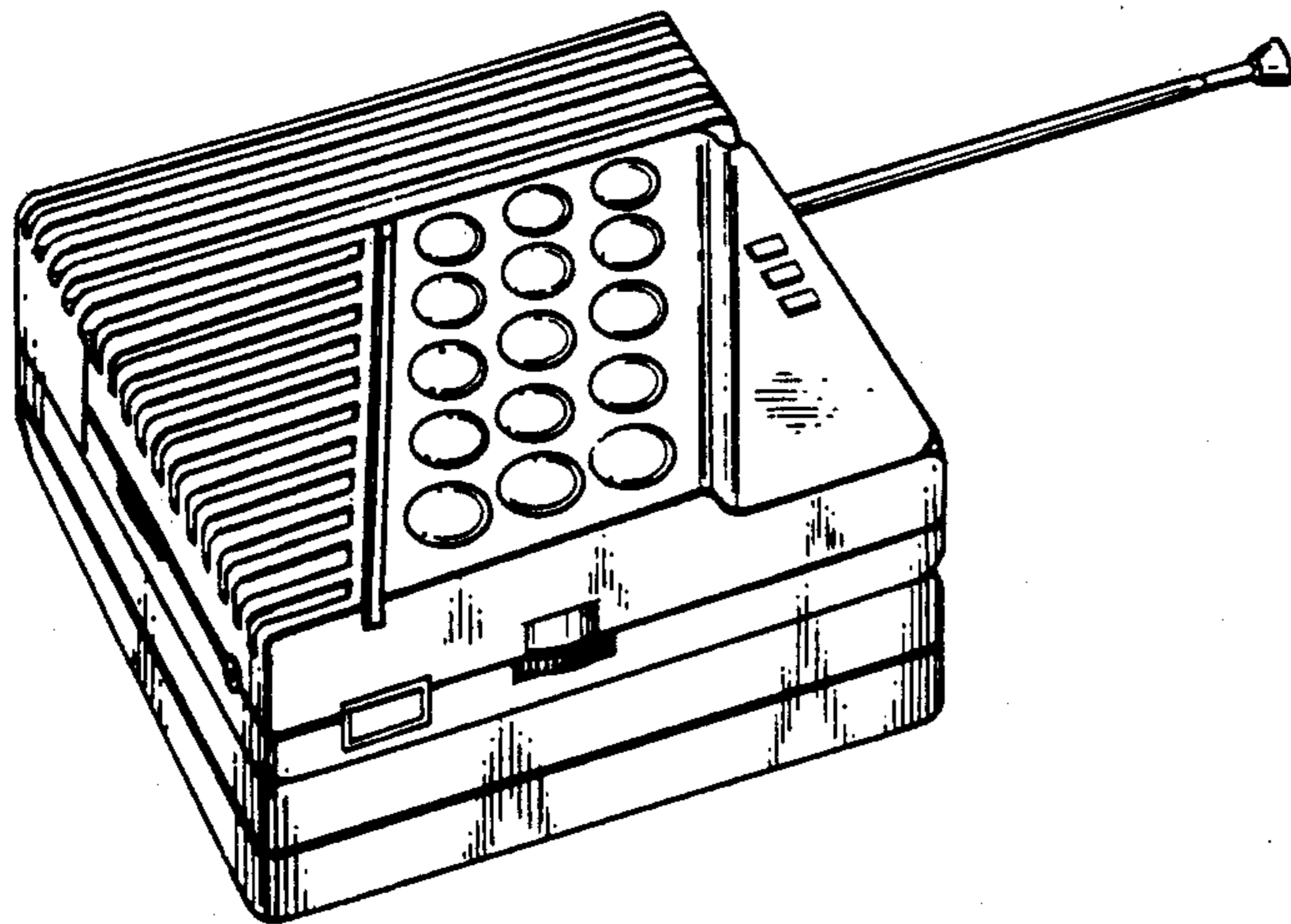
*Primary Examiner*—Horace B. Fay, Jr.  
*Attorney, Agent, or Firm*—Cilso & Thomas

[57] **CLAIM**

The ornamental design for cordless telephone, as shown  
and described.

**DESCRIPTION**

FIG. 1 is a left side, top and front perspective view of a  
cordless telephone showing our new design with the  
antenna in extended position;  
FIG. 2 is a top plan view thereof with the antenna in  
withdrawn relationship;  
FIGS. 3 and 4 are respectively left and right side eleva-  
tional views thereof;  
FIGS. 5 and 6 are respectively front and rear eleva-  
tional views; and  
FIG. 7 is a bottom plan view thereof.



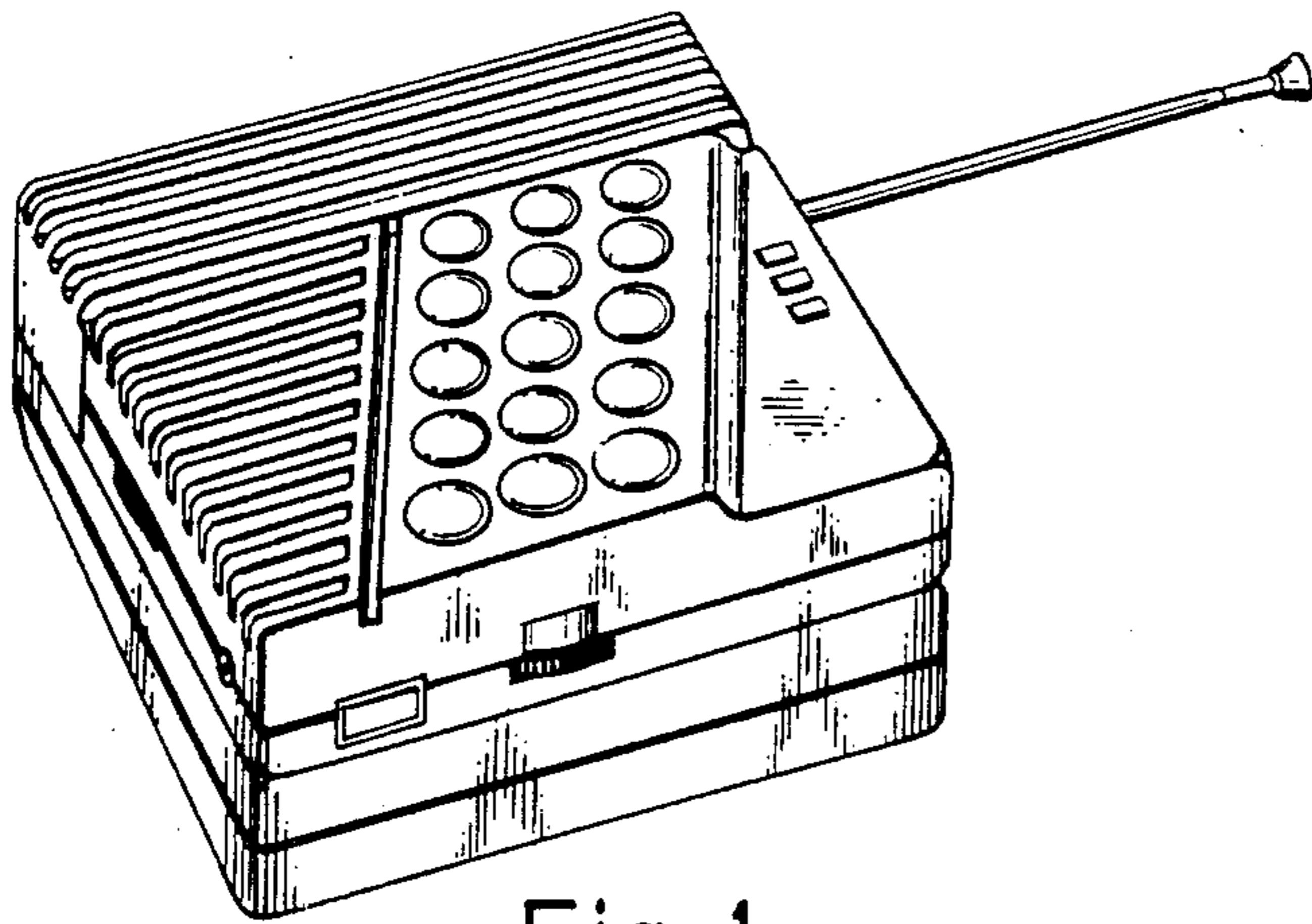


Fig. 1.

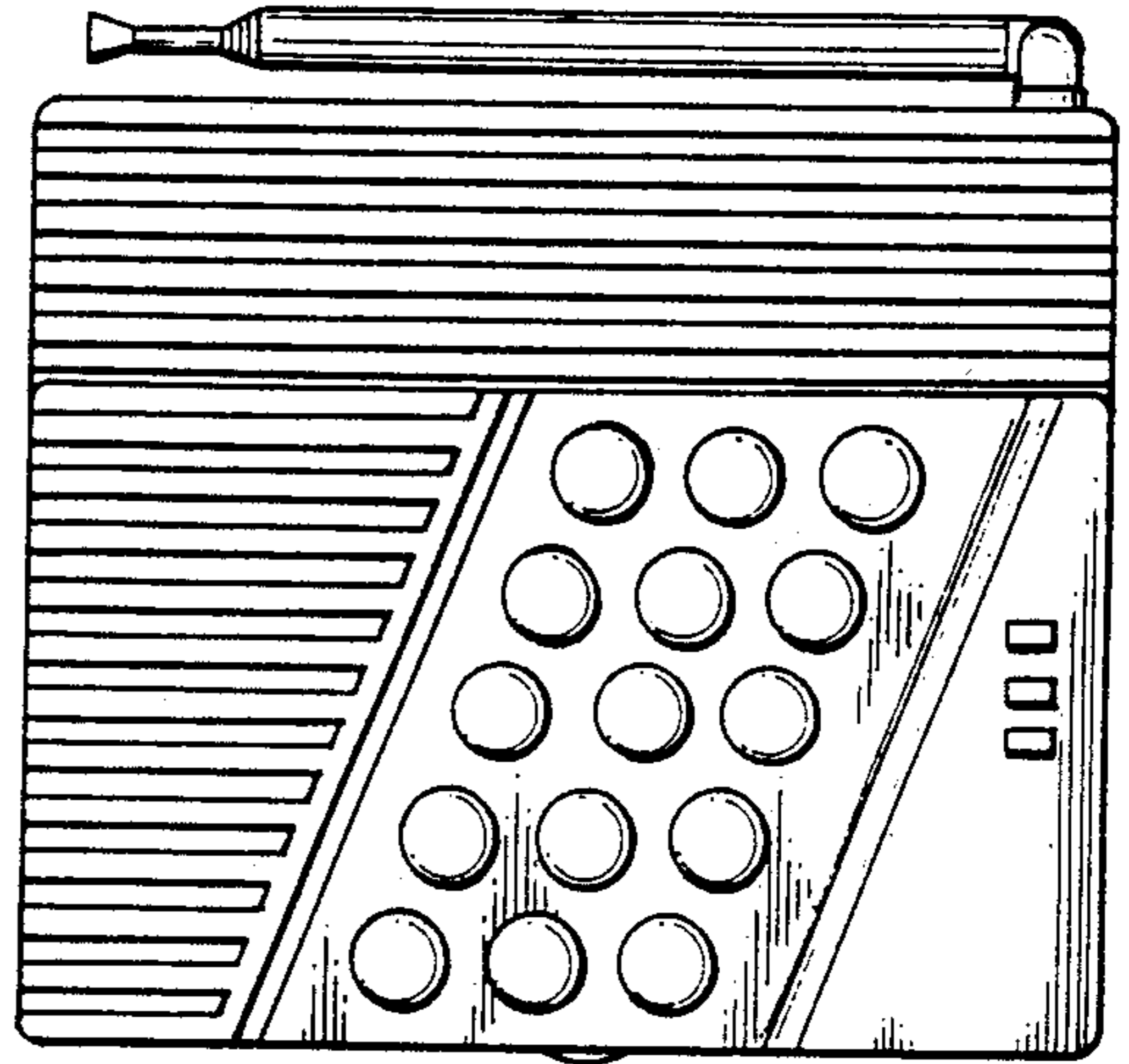


Fig. 2.

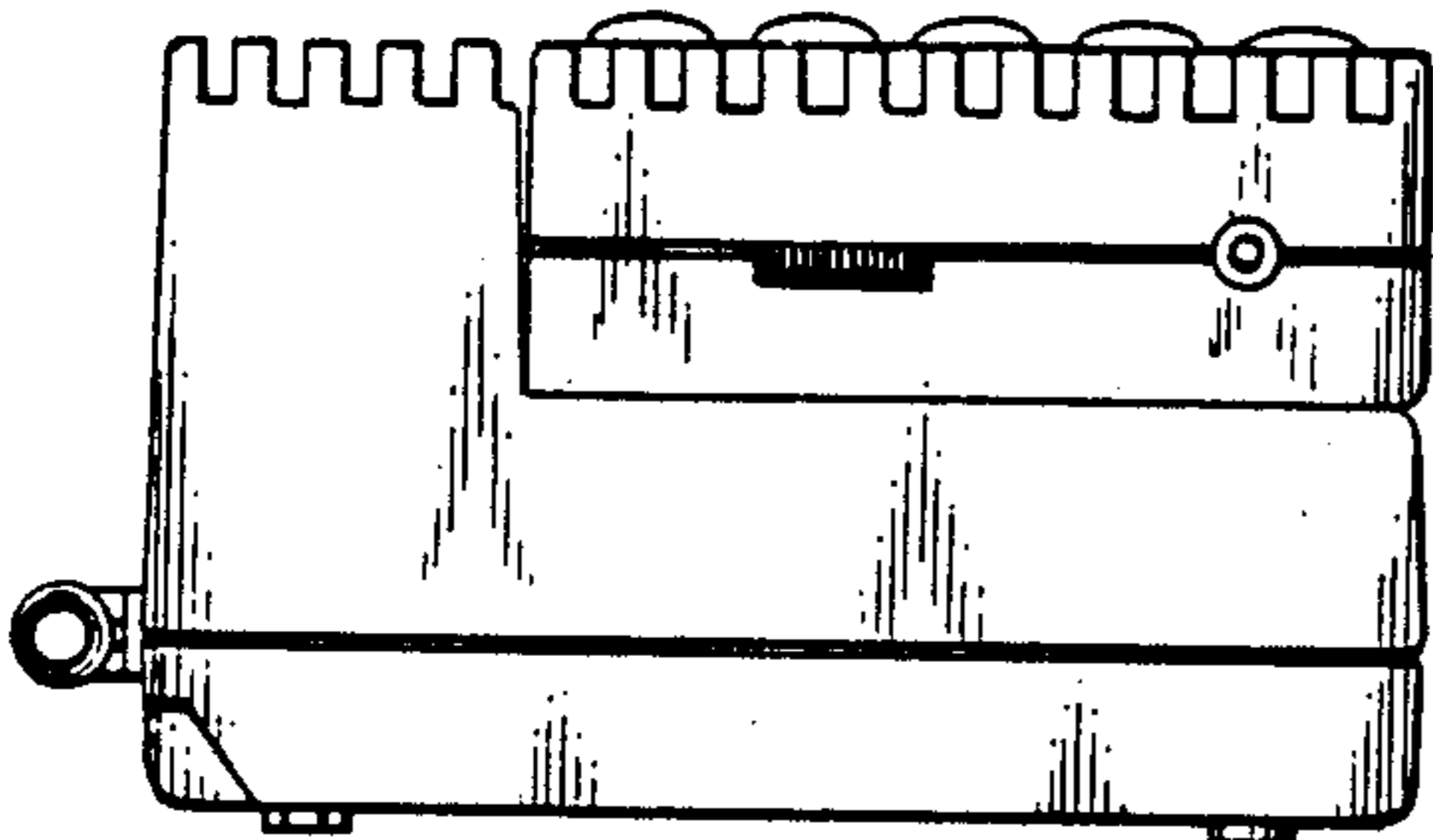


Fig. 3.

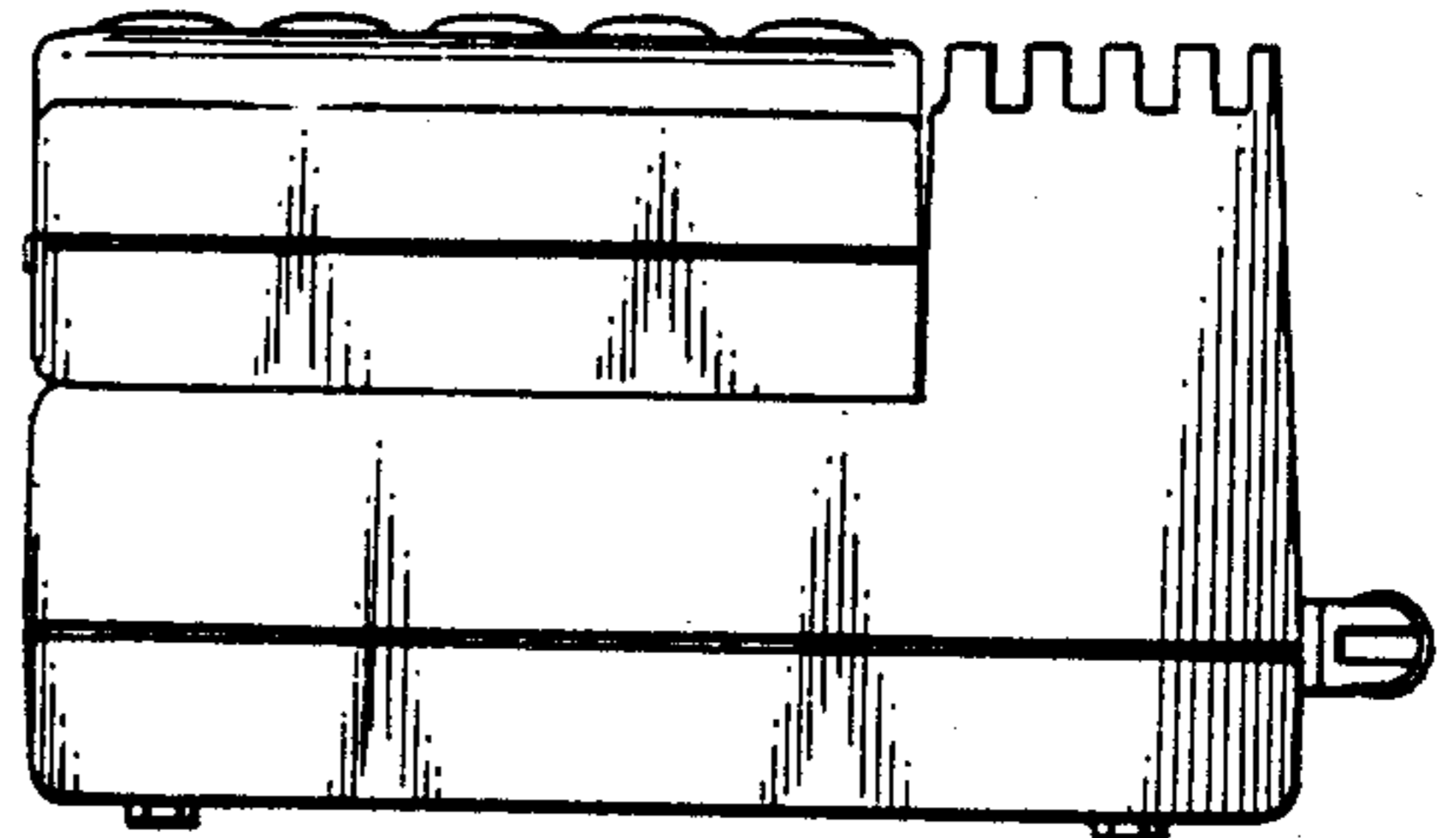


Fig. 4.

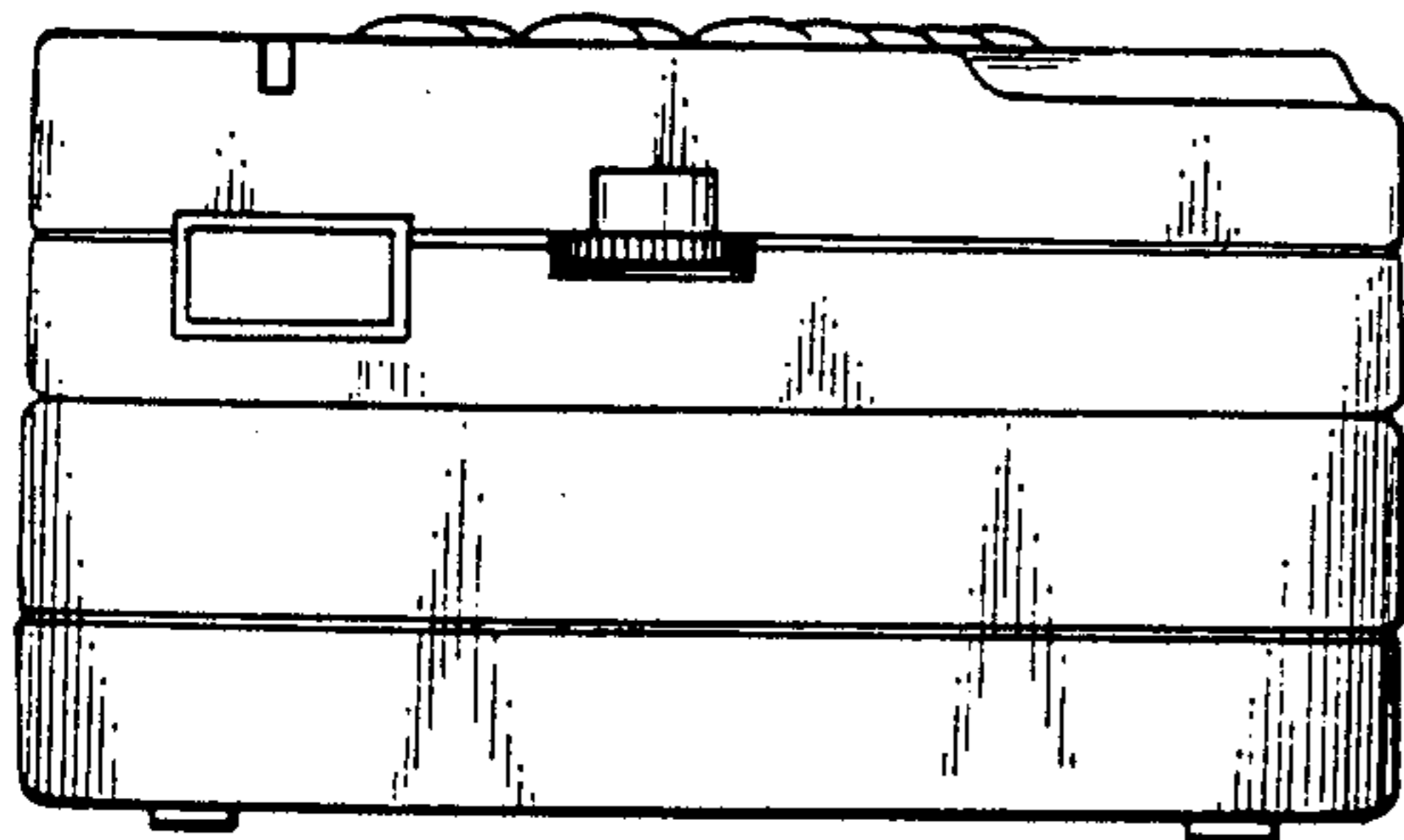


Fig. 5.

Fig. 6.

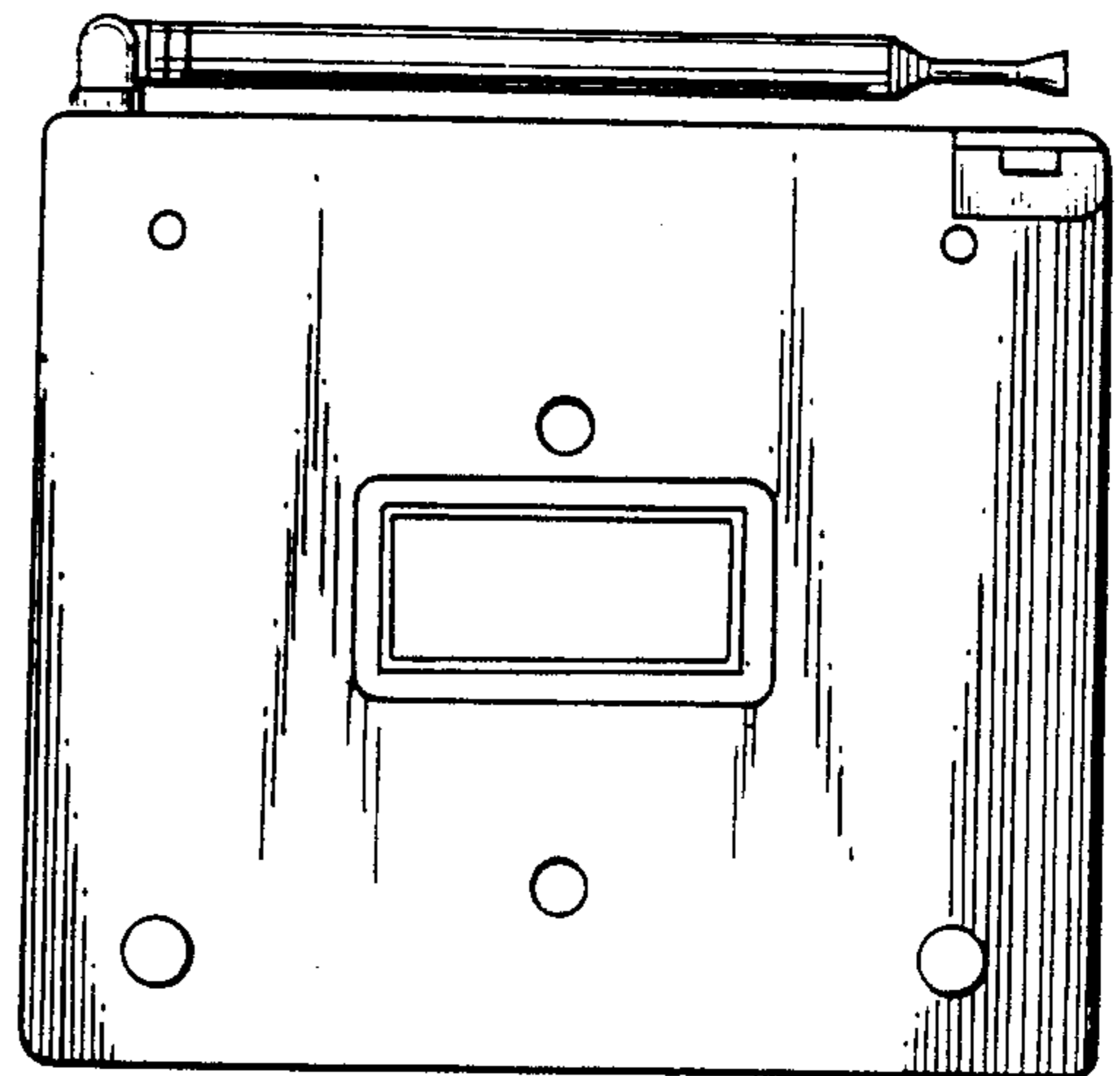
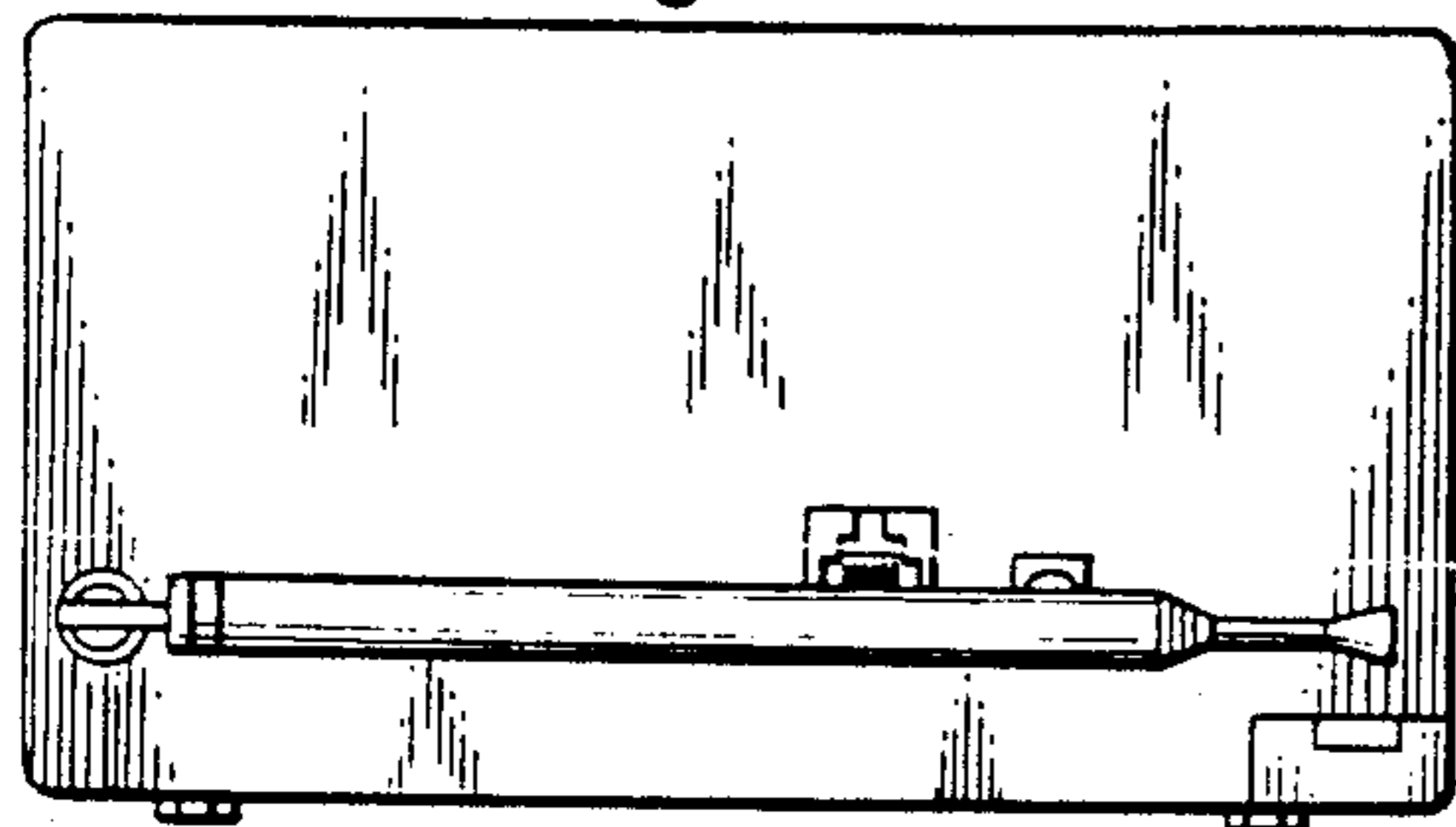


Fig. 7.