

[54] DIGITIZER FOR A GRAPHIC TABLET

[56]

References Cited

[75] Inventors: Mohammed K. Chowdhree, Watford; Hugo G. Poole, Knowle, both of England

U.S. PATENT DOCUMENTS

D. 284,084	6/1986	Ferrara, Jr. ....	D14/114
D. 308,055	5/1990	Tedham et al. ....	D14/114
4,578,768	3/1986	Racine .....	178/18 X
4,697,048	9/1987	Clements et al. ....	178/18
4,745,241	5/1988	Furukawa et al. ....	178/18
4,782,448	11/1988	Milstein .....	364/403 X

[73] Assignee: Cherry Electrical Products Limited, England

Primary Examiner—Wallace R. Burke  
Assistant Examiner—Freda S. Nunn  
Attorney, Agent, or Firm—Howard L. Rose

[\*\*] Term: 14 Years

[57] CLAIM

[21] Appl. No.: 403,331

The ornamental design for a digitizer for a graphic tablet, as shown and described.

[22] Filed: Sep. 6, 1989

DESCRIPTION

[30] Foreign Application Priority Data

Mar. 7, 1989 [GB] United Kingdom ..... 1057684

[52] U.S. Cl. .... D14/114

[58] Field of Search ..... D14/100, 114, 115;  
D19/52, 86, 91; D13/158; D21/48; 178/18, 19;  
248/44.1, 445-447; 340/306, 309, 707, 710;  
D10/46; 364/403

FIG. 1 is a top, front, left side perspective view of a digitizer for a graphic tablet showing our new design; FIG. 2 is a right side elevational view thereof on an enlarged scale; FIG. 3 is a rear elevational view thereof on an enlarged scale; FIG. 4 is a bottom plan view thereof on enlarged scale; FIG. 5 is a top, front, left side perspective view thereof with the document overlay partially raised.

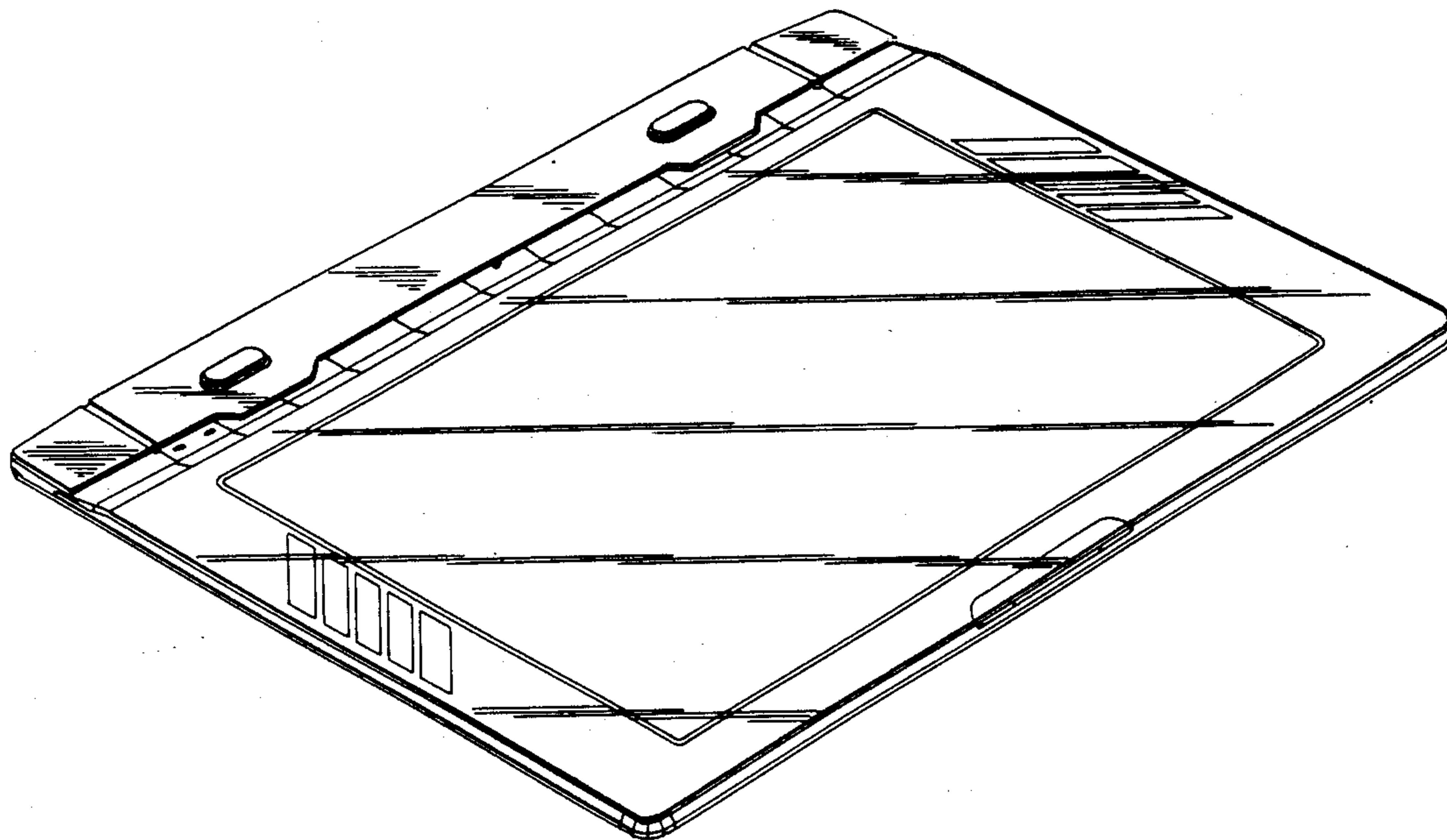


Fig. 1

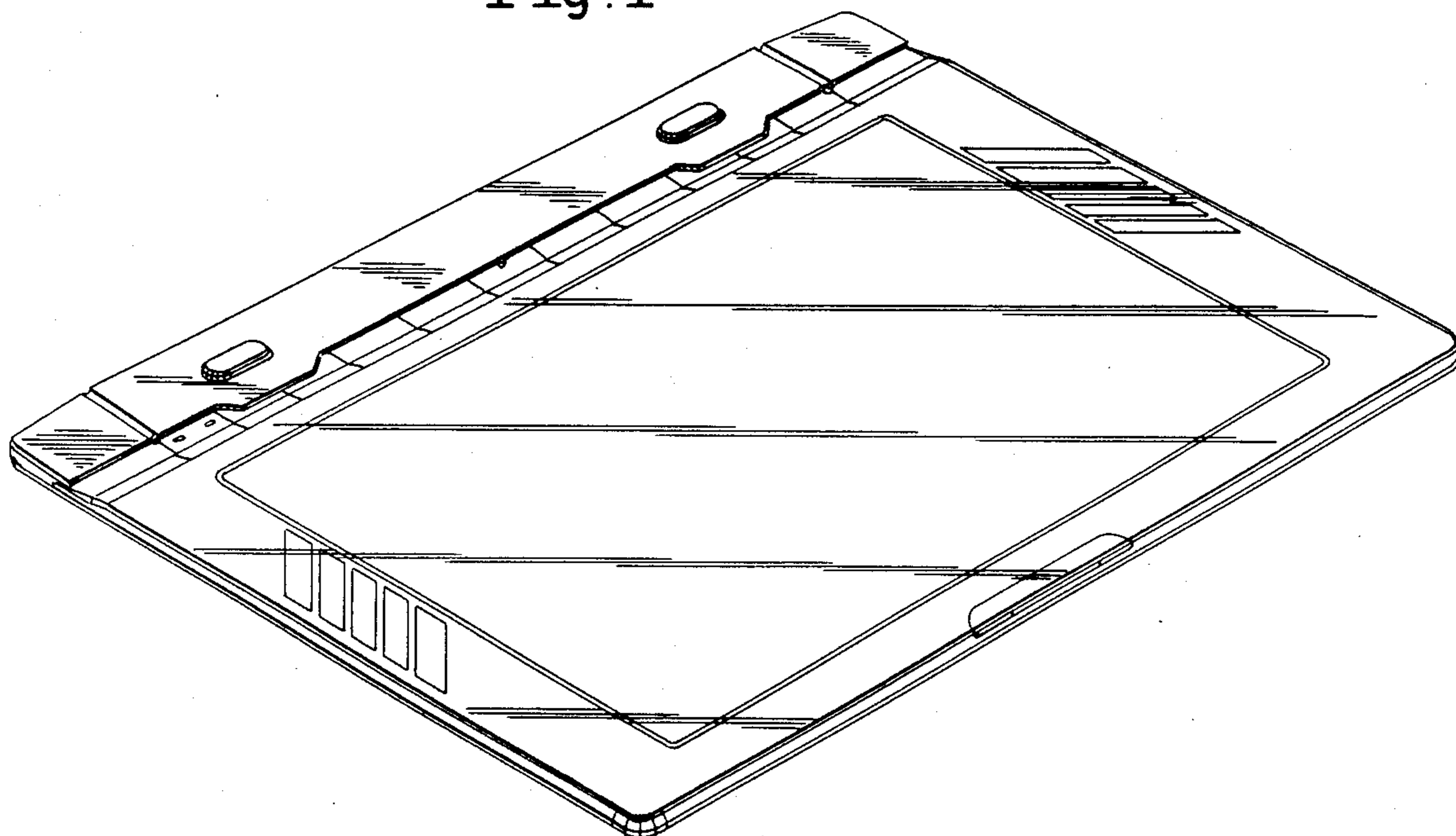


Fig. 5

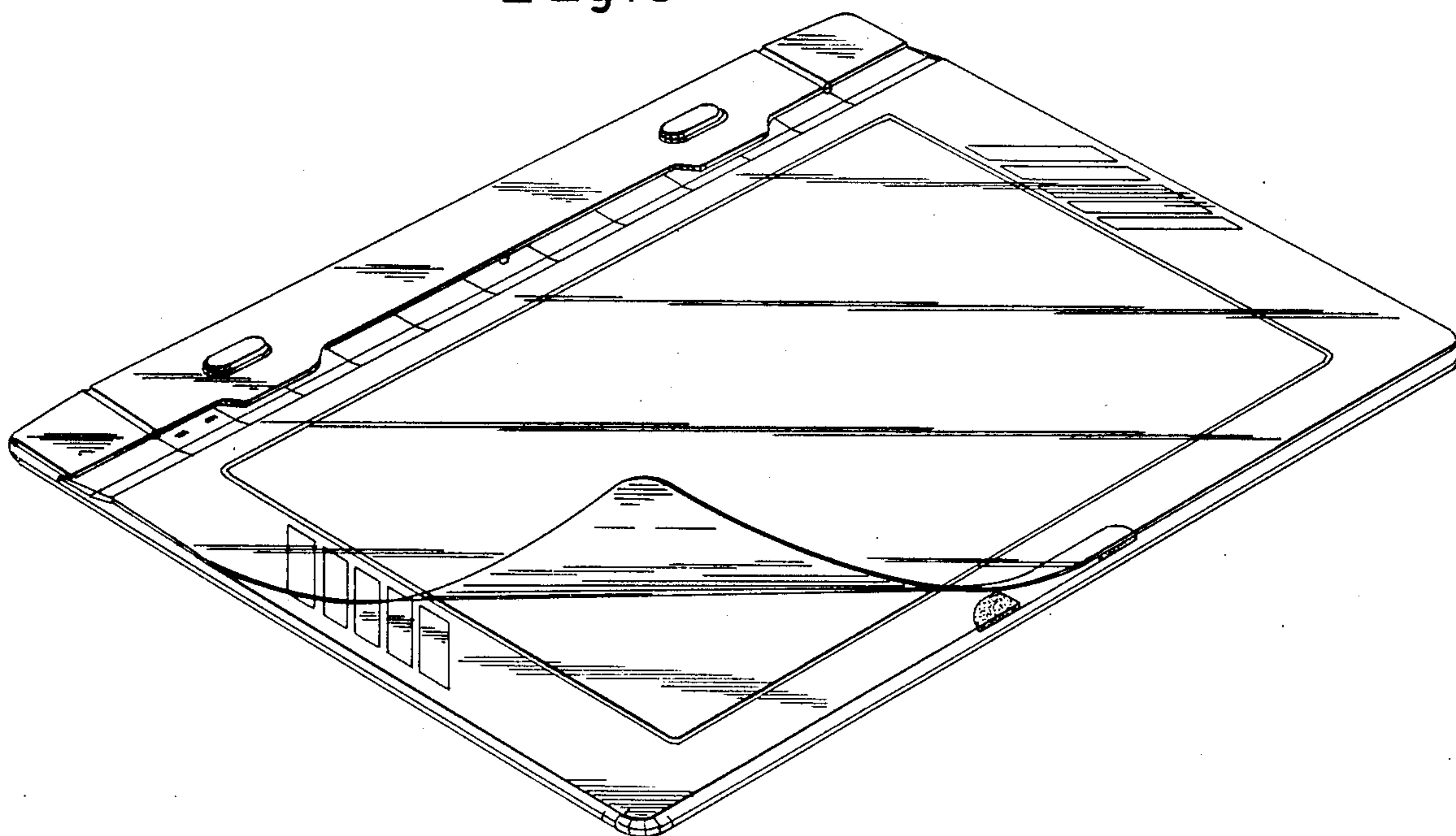


Fig. 2



Fig. 3

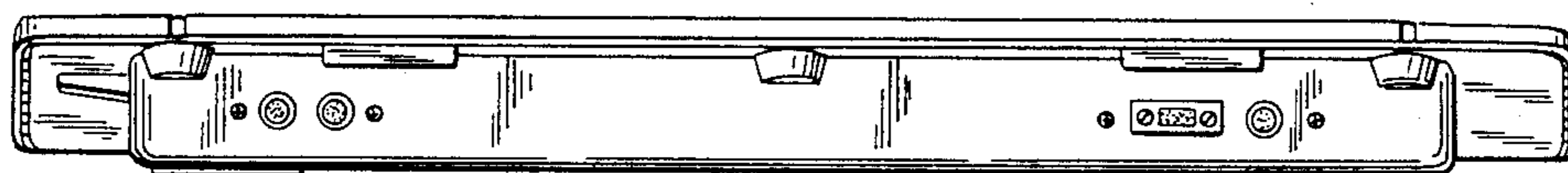


Fig. 4

