

[54] MULTIPLE CONTROL BOX FOR A COMPUTER GRAPHICS WORKSTATION

[75] Inventors: John D. Quinn, Hudson, N.H.; Douglas Bushman, Houston, Tex.; Brian S. Siart, Fitchburg, Mass.

[73] Assignee: Digital Equipment Corporation, Maynard, Mass.

[\*\*] Term: 14 Years

[21] Appl. No.: 85,601

[22] Filed: Aug. 13, 1987

[52] U.S. Cl. .... D14/100; D14/114

[58] Field of Search ..... D14/100, 106, 107, 114; D13/12, 32, 38; D21/48; 340/700, 706, 711, 712; 341/22, 23; 178/18, 19; 273/148 B; 74/471 XY; 200/5 A, 5 R, 6 A, 6 R

[56] References Cited

U.S. PATENT DOCUMENTS

|            |         |                          |             |
|------------|---------|--------------------------|-------------|
| D. 274,631 | 7/1984  | Smith, III et al. ....   | D21/48      |
| D. 276,247 | 11/1984 | Kim .....                | D21/48      |
| D. 291,806 | 9/1987  | Conway et al. ....       | D14/114     |
| 3,479,898  | 11/1969 | Prager .....             | 74/471 XY X |
| 4,590,339  | 5/1986  | Scott-Jackson et al. ... | 74/471 XY X |

OTHER PUBLICATIONS

Photographs of an Evans & Sutherland, Model No. PS300, Dial Box.

Advertising Brochure of an Evans and Sutherland Model PS390, Graphics Workstation.

Primary Examiner—Susan J. Lucas

Assistant Examiner—Freda S. Nunn

Attorney, Agent, or Firm—Kenyon and Kenyon

[57] CLAIM

The ornamental design for multiple control box for a computer graphics workstation, as shown and described.

DESCRIPTION

FIG. 1 is a top, front, right side perspective view of a multiple control box for a computer graphics workstation showing our new design;

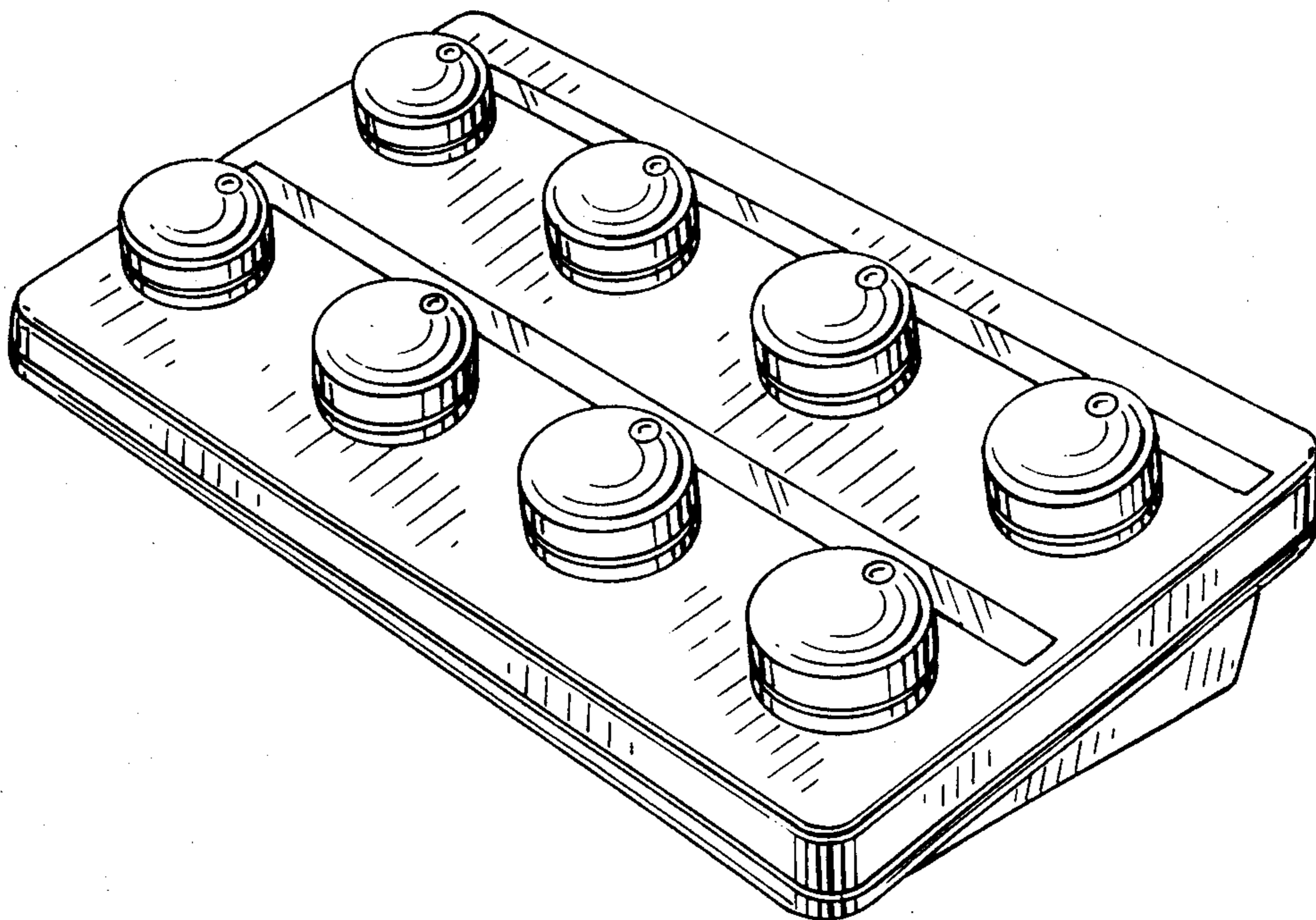
FIG. 2 is a left side elevational view thereof on an enlarged scale, the right side elevational being a mirror image;

FIG. 3 is a top plan view thereof on an enlarged scale;

FIG. 4 is a front elevational view thereof on an enlarged scale;

FIG. 5 is a rear elevational view thereof on an enlarged scale;

FIG. 6 is a bottom plan view thereof on an enlarged scale.



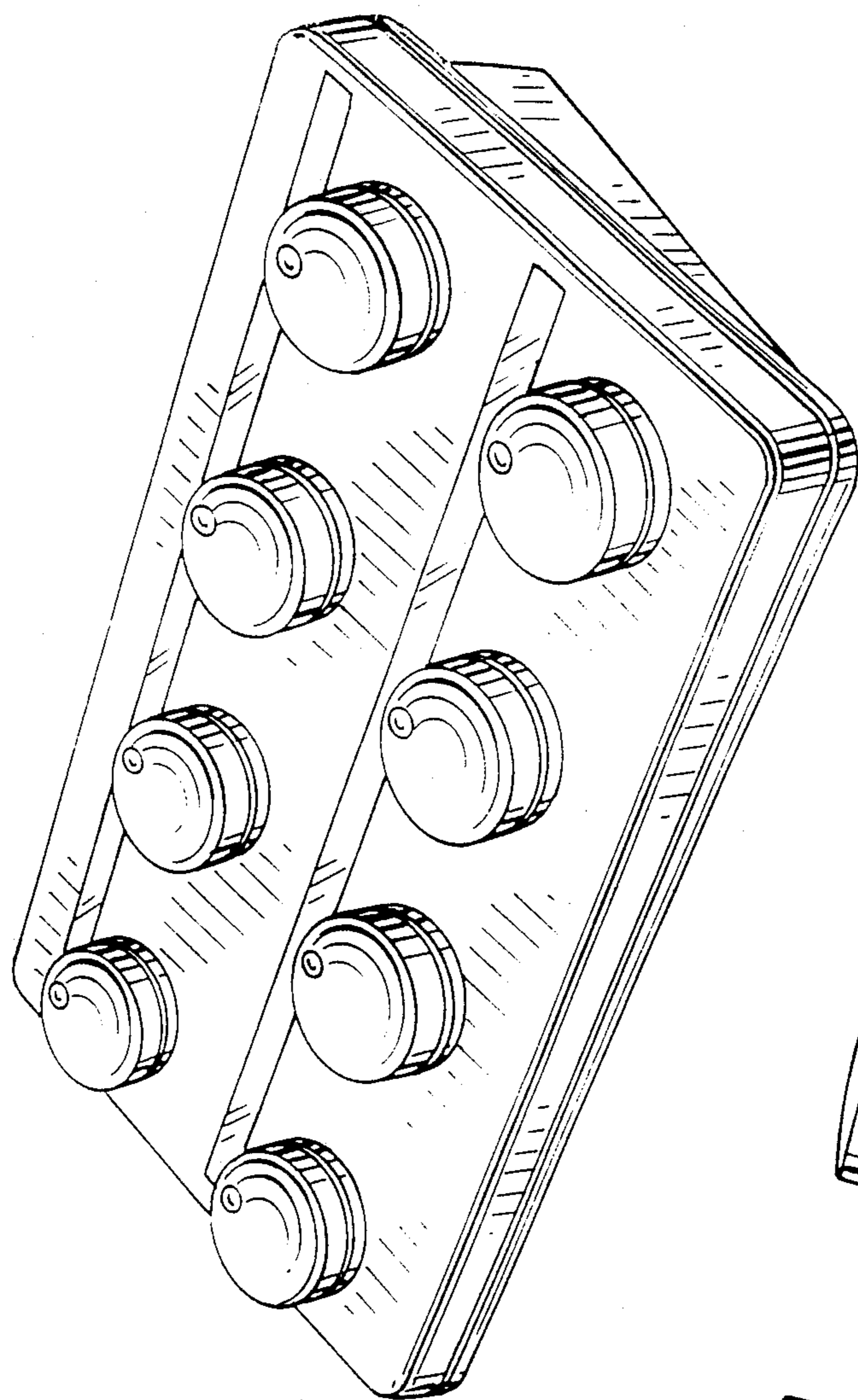


Fig. 1.

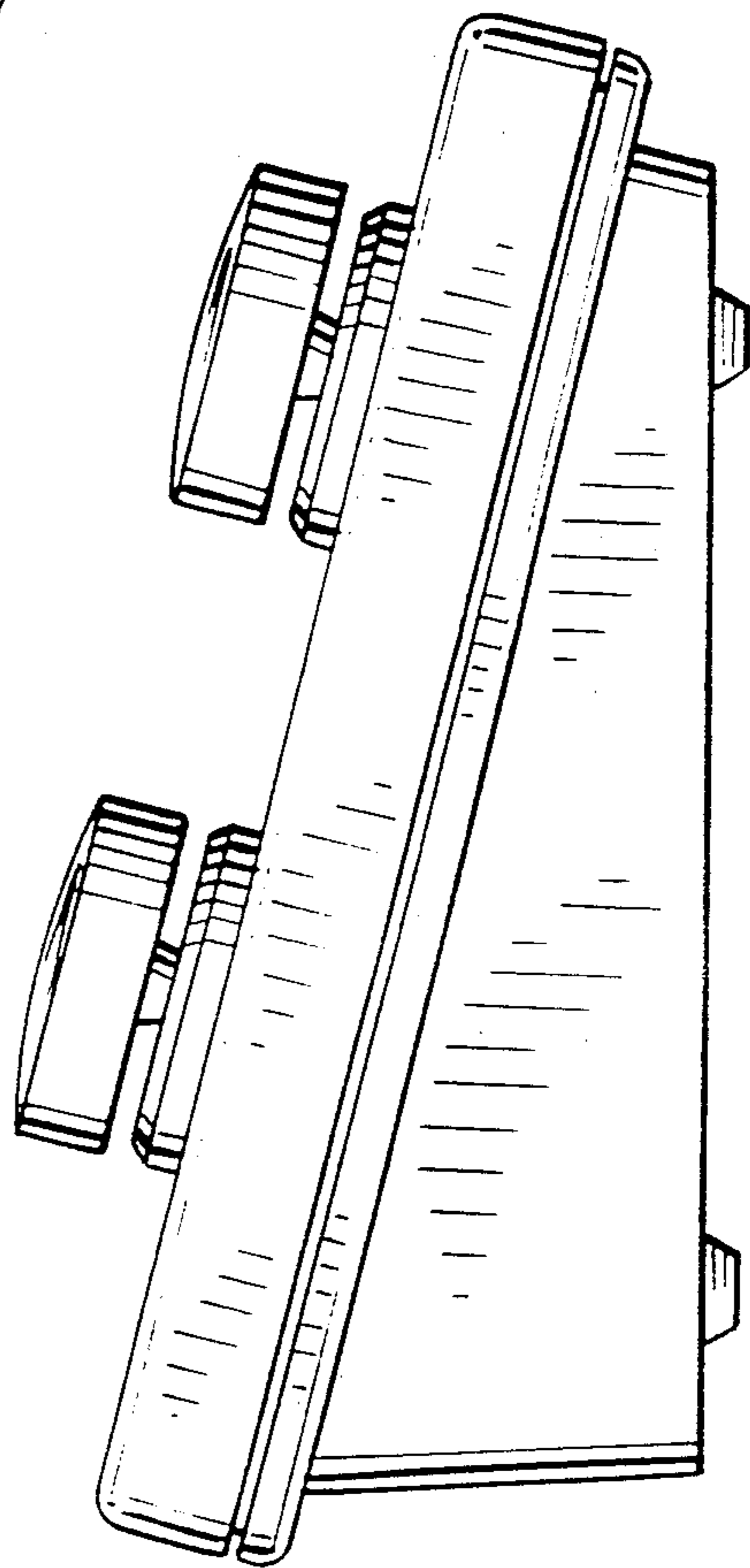
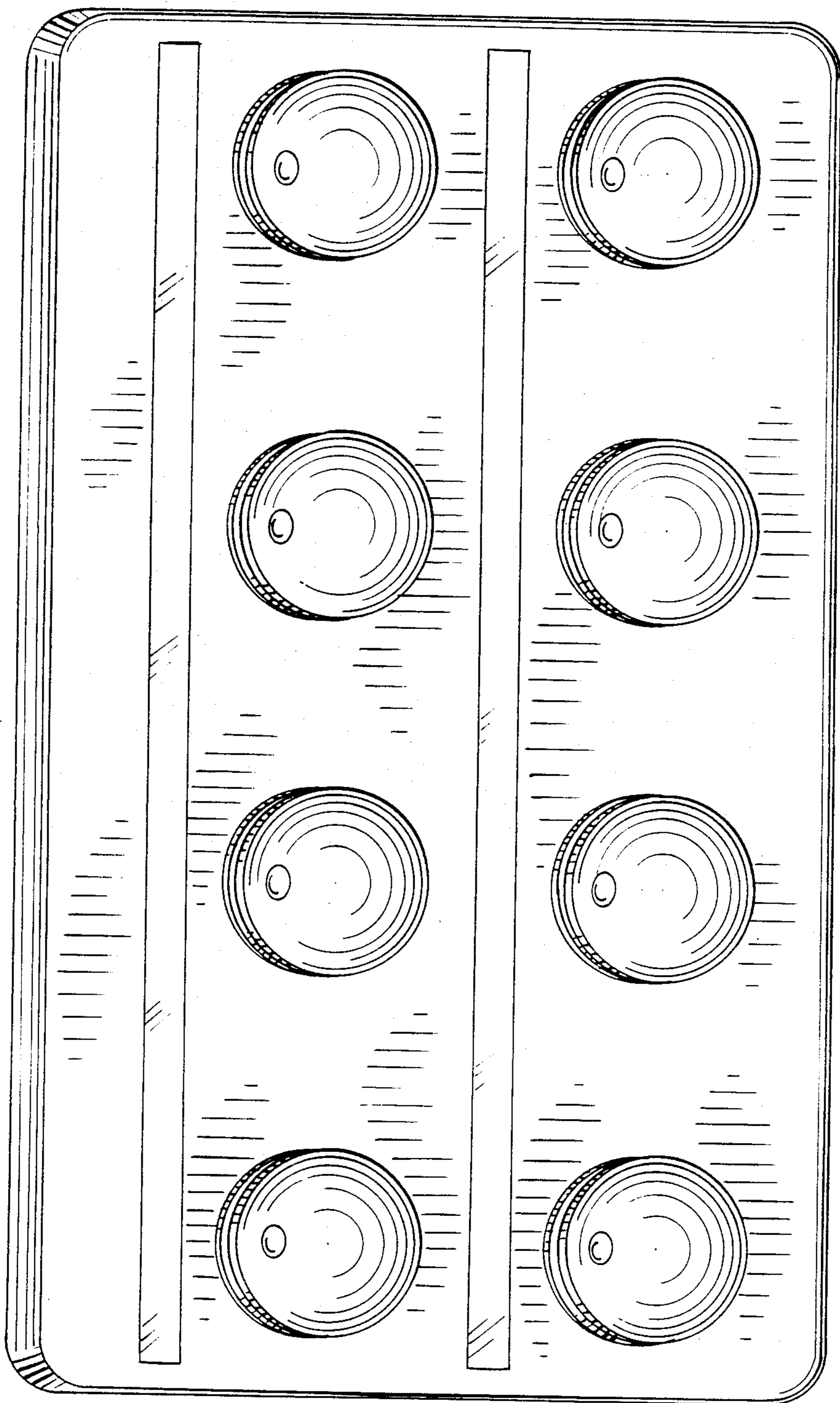


Fig. 2.

Fig. 9.



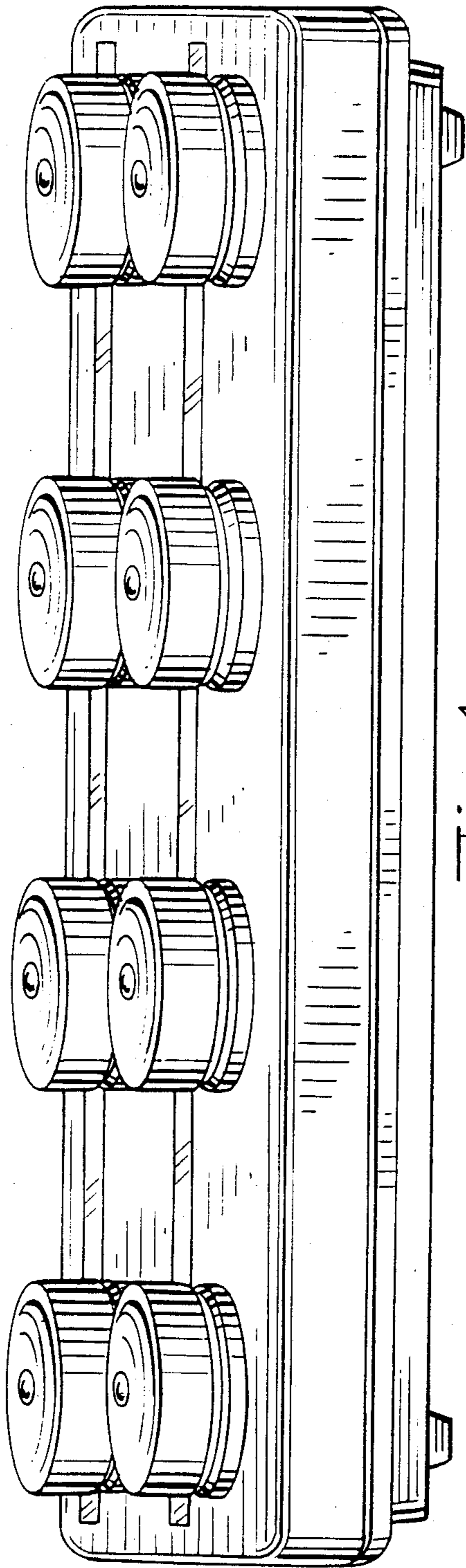


Fig. 4.

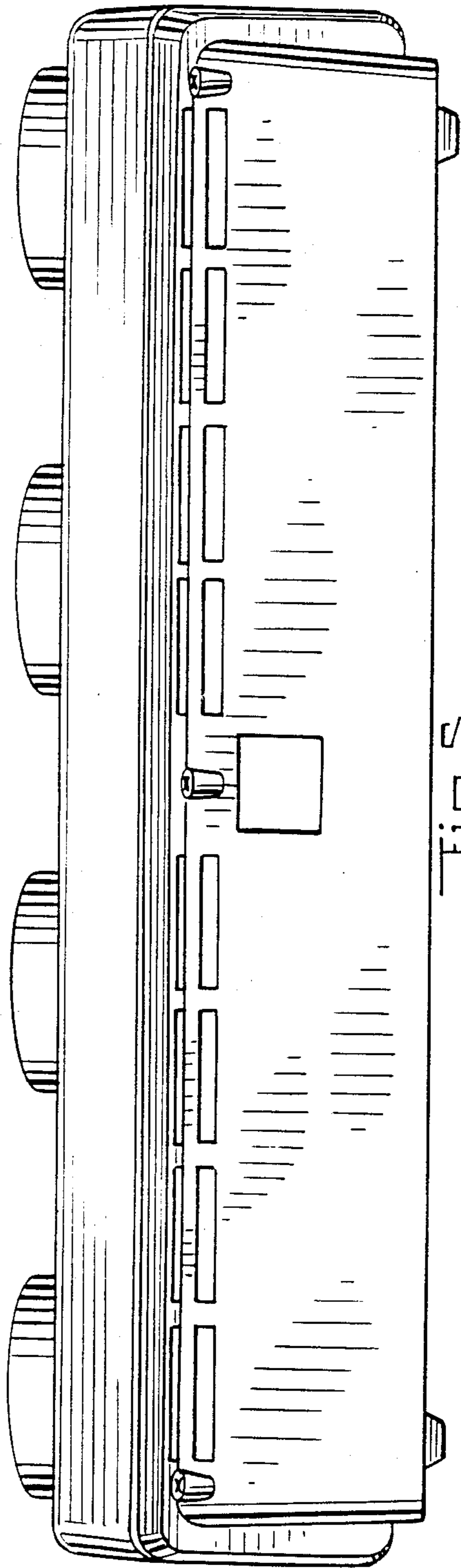


Fig. 5.

Fig. 6.

