

[54] HEAT SINK WITH SPRING CLIP

4,602,315 7/1986 Breese 174/16 HS X

[75] Inventors: George F. Earl, Meredith; Robert D. King, Laconia, both of N.H.

[73] Assignee: Aavid Engineering, Inc., Laconia, N.H.

[*] Notice: The portion of the term of this patent subsequent to Jun. 14, 2002 has been disclaimed.

[**] Term: 14 Years

[21] Appl. No.: 889,495

[22] Filed: Jul. 25, 1986

[52] U.S. Cl. D13/179

[58] Field of Search D13/23; 174/16 HS; 361/386, 388; 357/81; 165/80.1, 80.2, 80.3, 185

[56] References Cited

U.S. PATENT DOCUMENTS

D. 296,323	6/1988	McCarthy	D13/23
3,566,958	3/1971	Zelina	351/81 X
4,509,839	4/1985	Lavochkin	357/81
4,575,038	3/1986	Moore	361/386 X

OTHER PUBLICATIONS

Wakefield Heat Sinks & Extrusions "Instant Information" Booklet, 1973, p. 1, Heat Sink, type 435.

Primary Examiner—Susan J. Lucas
Attorney, Agent, or Firm—Fish & Richardson

[57] CLAIM

The ornamental design for a heat sink with spring clip, as shown and described.

DESCRIPTION

FIG. 1 is a top, front perspective view of a heat sink with spring clip showing our new design, the electronic device being shown in broken lines for illustrative purposes;

FIG. 2 is a top plan view thereof;

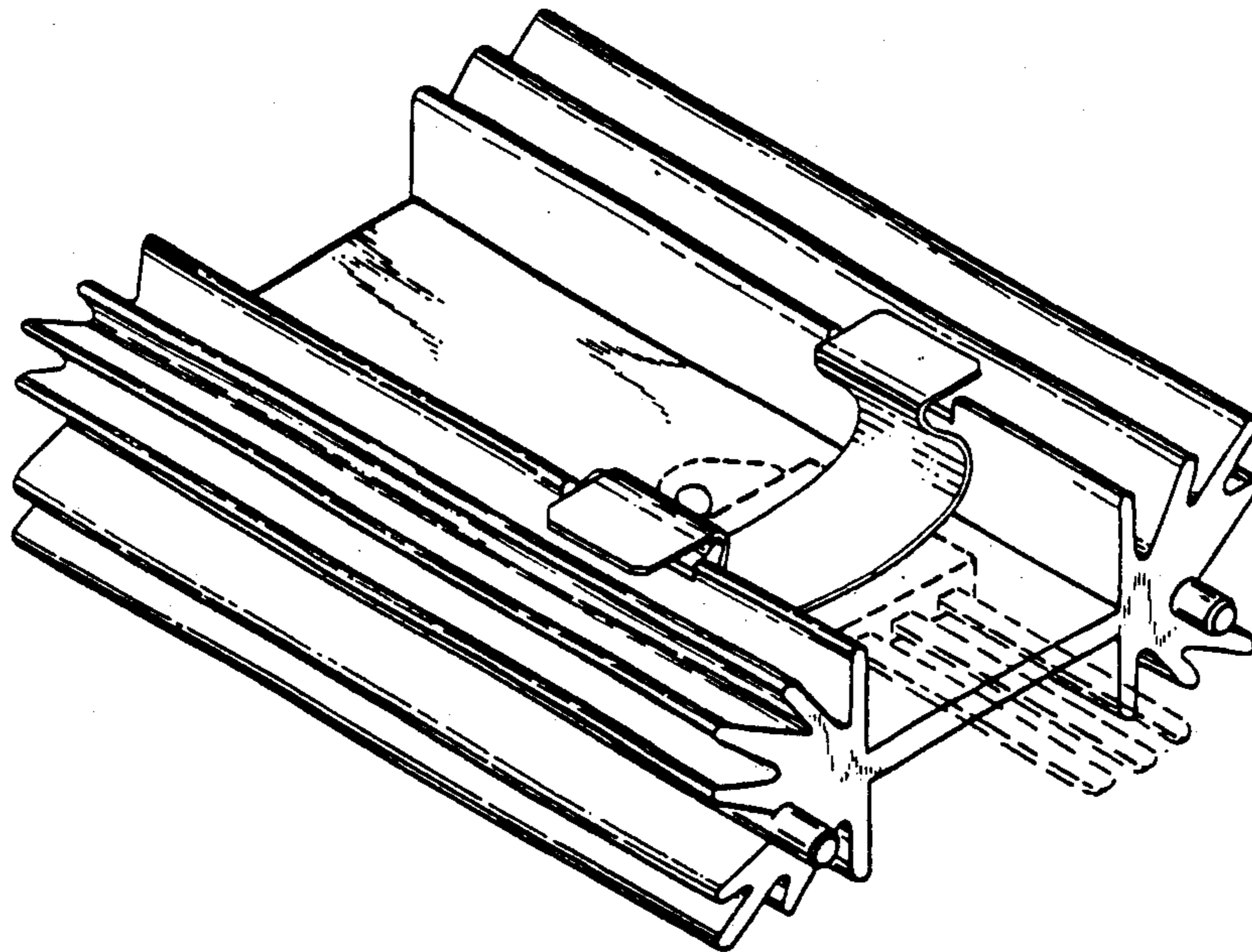
FIG. 3 is a bottom plan view thereof;

FIG. 4 is a front elevational view thereof;

FIG. 5 is a rear elevational view thereof;

FIG. 6 is a side elevational view thereof as seen from the left of FIGS. 1 and 2;

FIG. 7 is a side elevational view thereof as seen from the right of FIGS. 1 and 2.



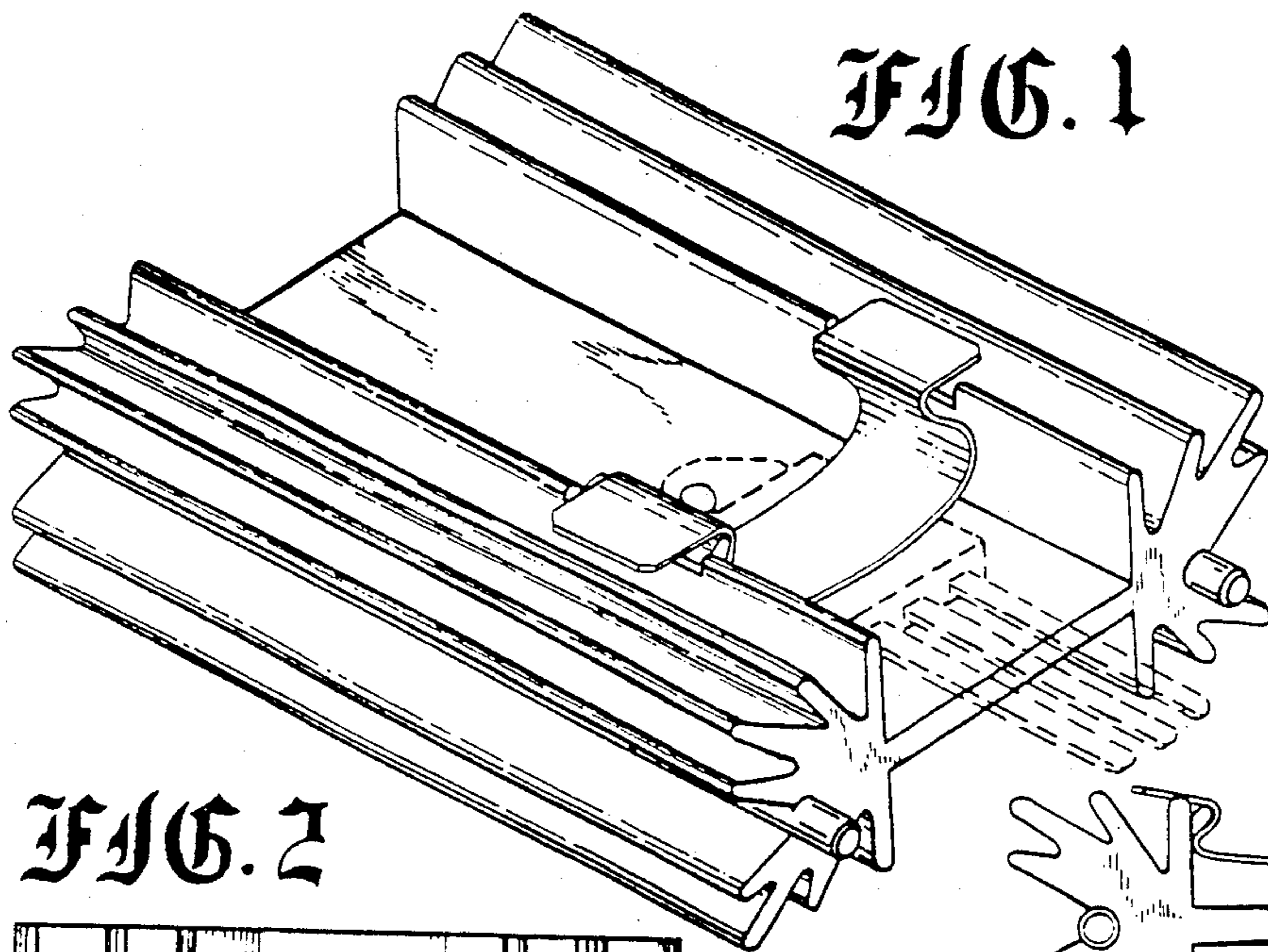


FIG. 1

FIG. 2

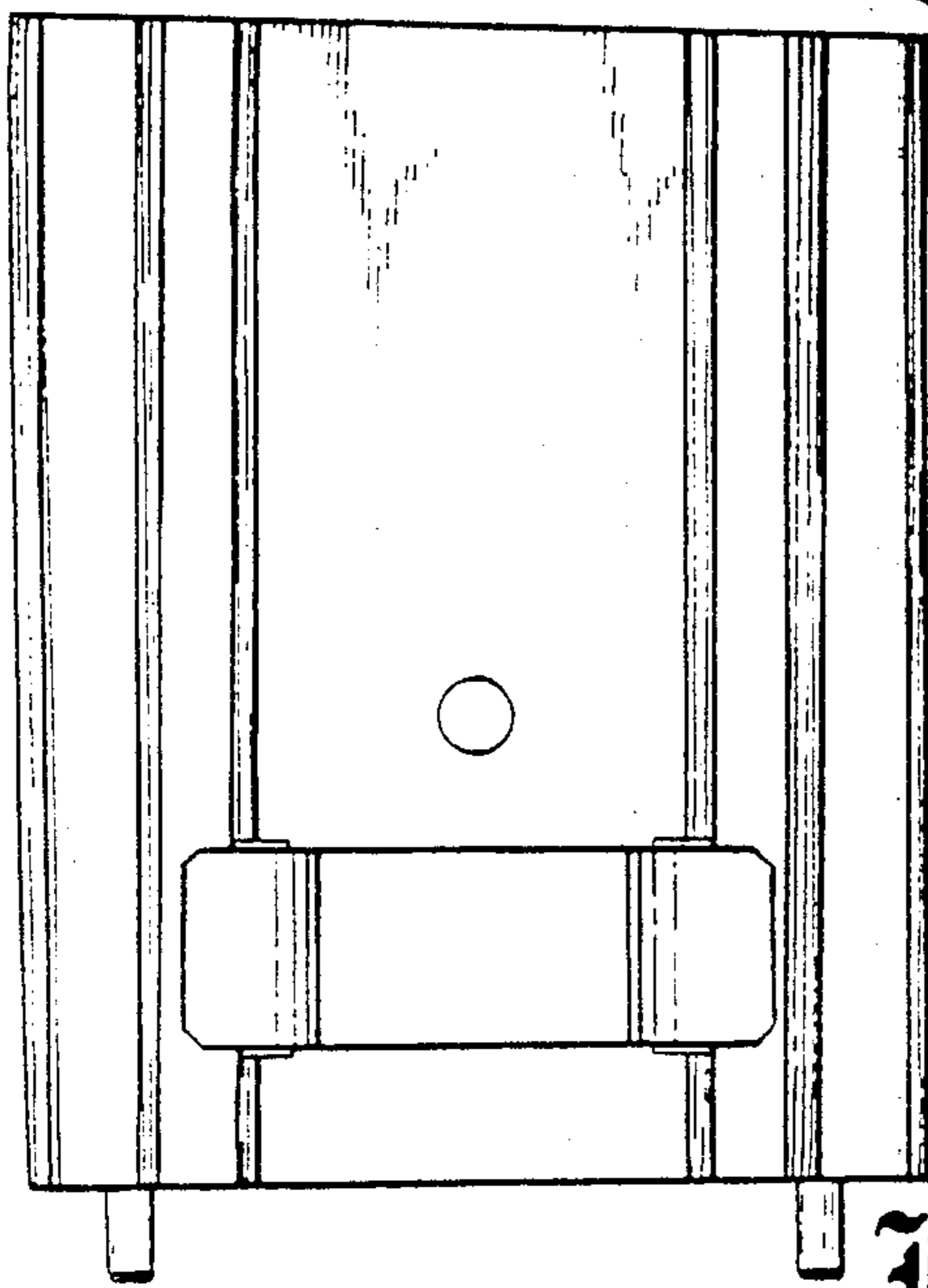


FIG. 2

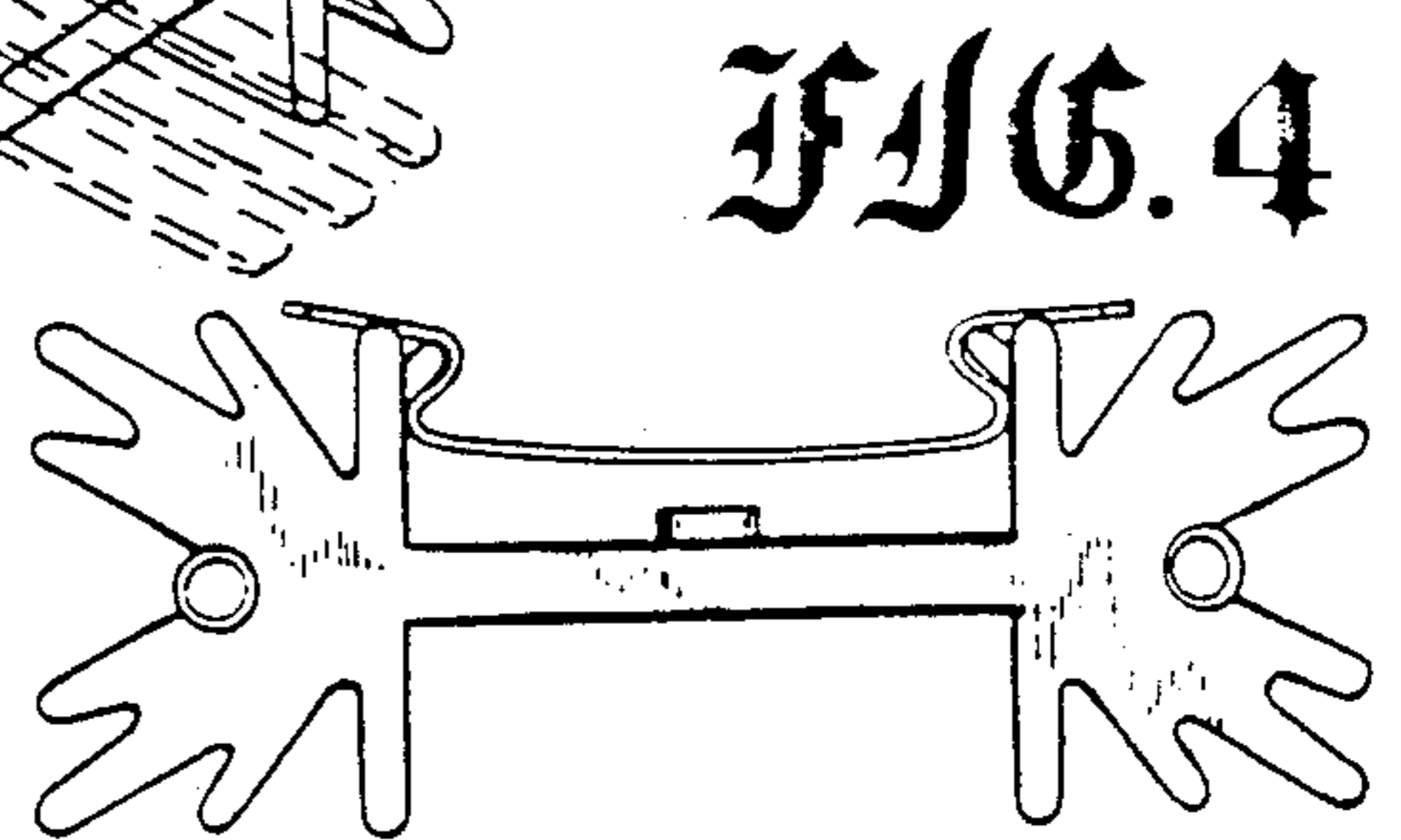


FIG. 4

FIG. 3

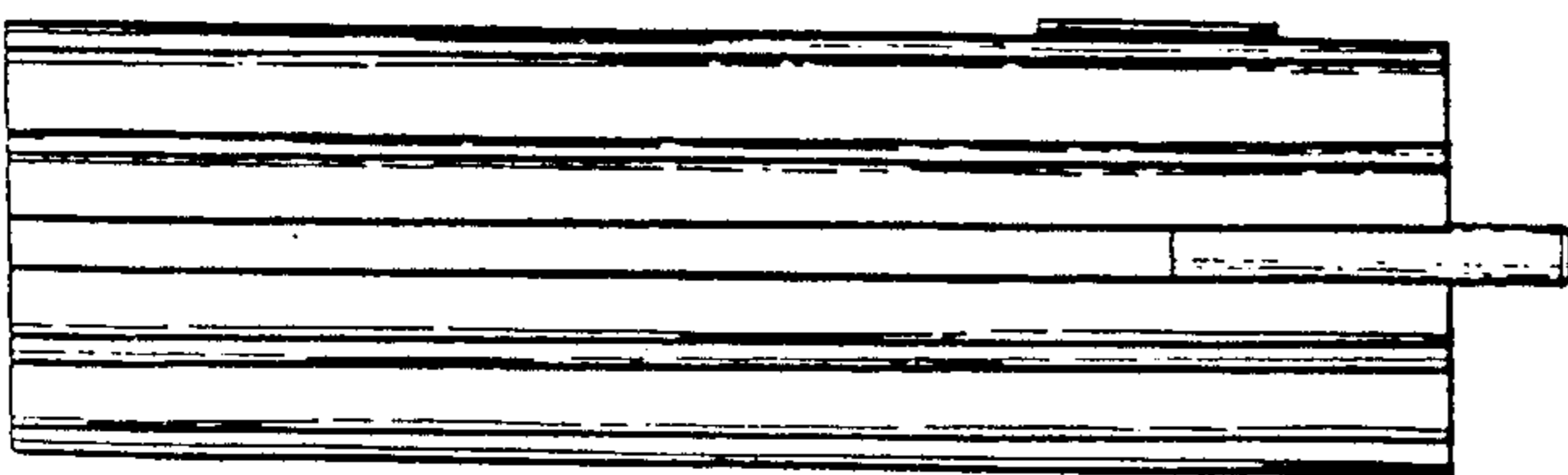
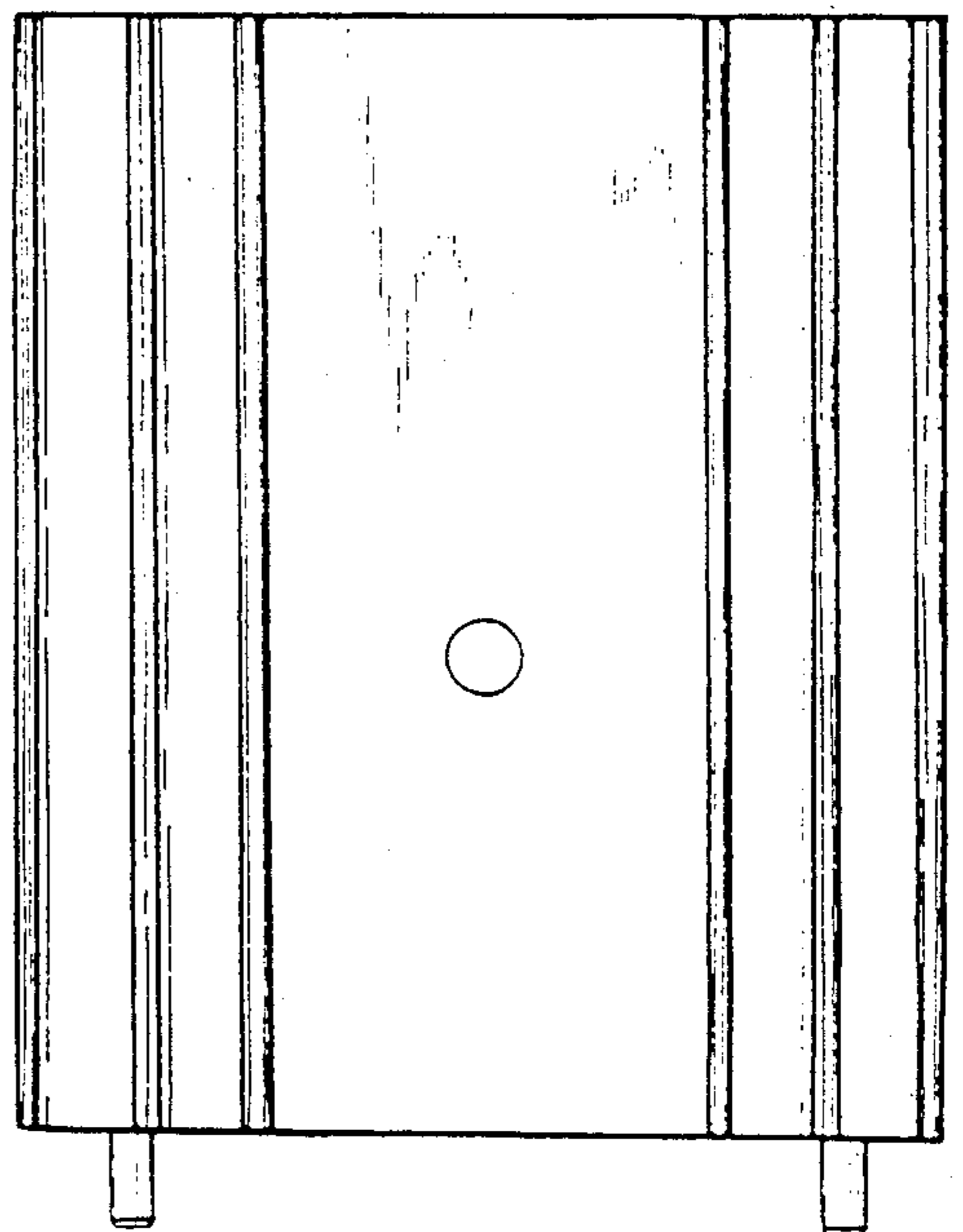


FIG. 5

FIG. 7

