

[54] **PRESSURE SWITCH OR SIMILAR ARTICLE**

- [75] **Inventor:** Dale Willcox, Rhinelander, Wis.
- [73] **Assignee:** Furnas Electric Company, Batavia, Ill.
- [**] **Term:** 14 Years
- [21] **Appl. No.:** 60,380
- [22] **Filed:** Jun. 10, 1987
- [52] **U.S. Cl.** D13/158
- [58] **Field of Search** D13/32, 40, 99, 158, D13/184, 199; 200/61.25, 81 R, 83 R

- [56] **References Cited**
U.S. PATENT DOCUMENTS
4,101,747 7/1978 Houk 200/81 R X
4,668,847 5/1987 Greene 200/82 R

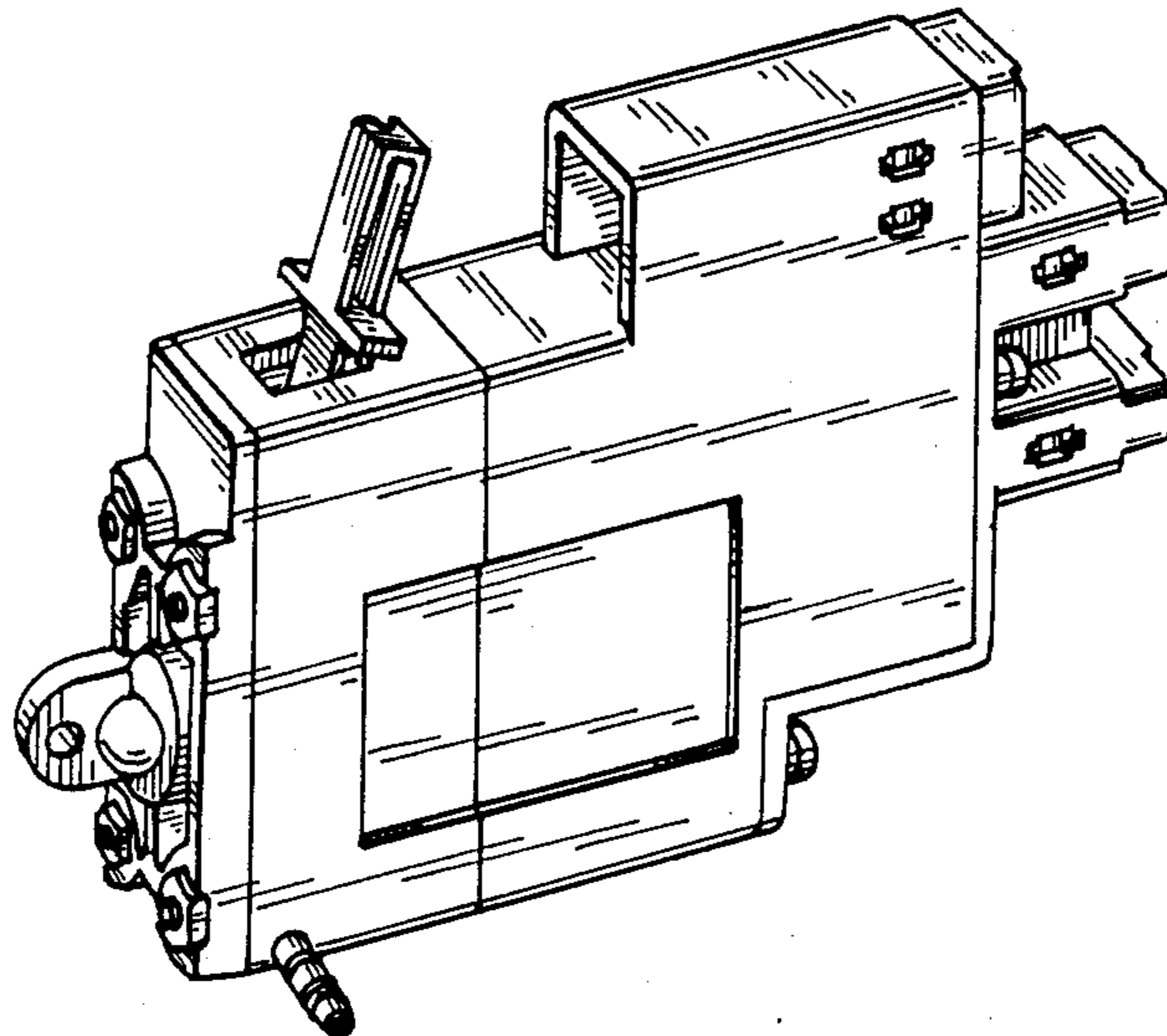
OTHER PUBLICATIONS
Barksdale Switch Pictured on p. 76 of the 9-9-85 issue of *Design News*.

Mercoid Switch Pictured on p. 27 of the Oct. 1983 issue of *Industrial Equipment News*.

Primary Examiner—Susan J. Lucas
Assistant Examiner—Joel Sincavage
Attorney, Agent, or Firm—Wood, Phillips, Mason, Recktenwald & VanSanten

[57] **CLAIM**
The ornamental design for a pressure switch or similar article, as shown and described.

DESCRIPTION
FIG. 1 is a rear elevational view of a pressure switch or similar article showing my new design;
FIG. 2 is a top plan view thereof;
FIG. 3 is a front elevational view thereof;
FIG. 4 is a left side elevational view thereof;
FIG. 5 is a right side elevational view thereof;
FIG. 6 is a bottom plan view thereof;
FIG. 7 is a perspective view from the front and upper left thereof; and
FIG. 8 is a perspective view seen from the front and lower right thereof.



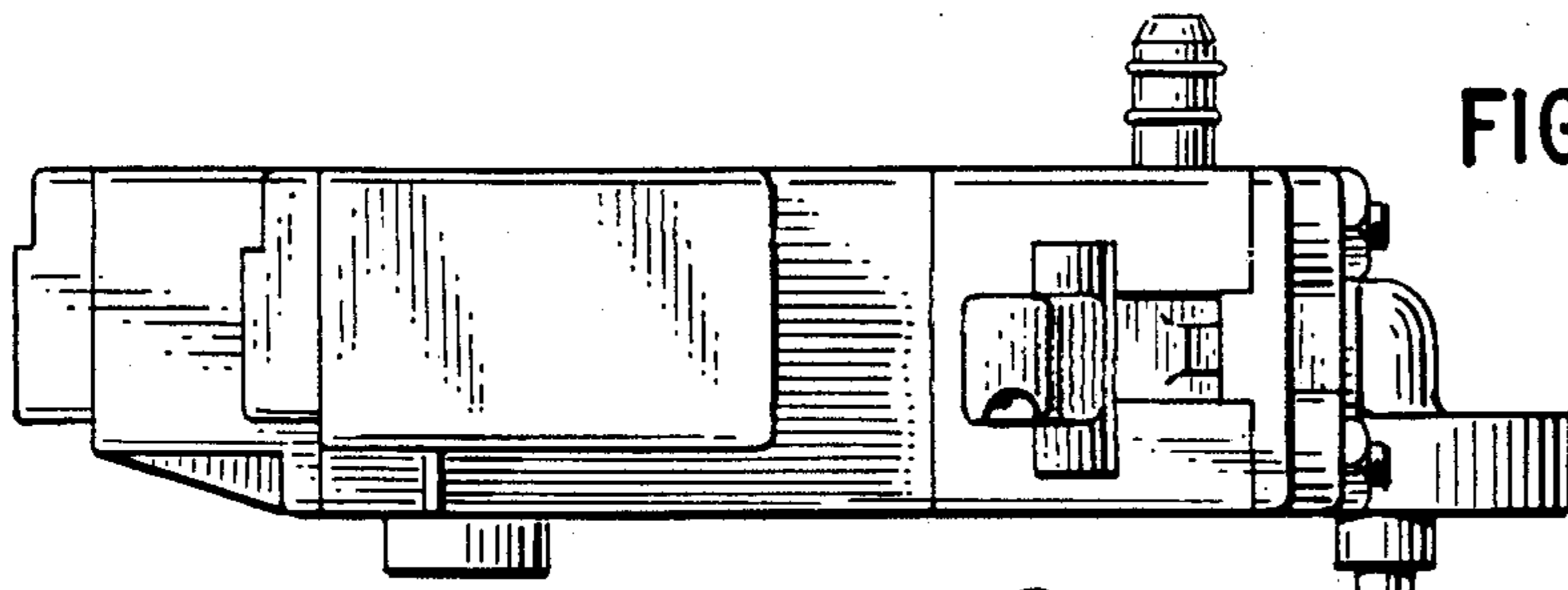


FIG. 2

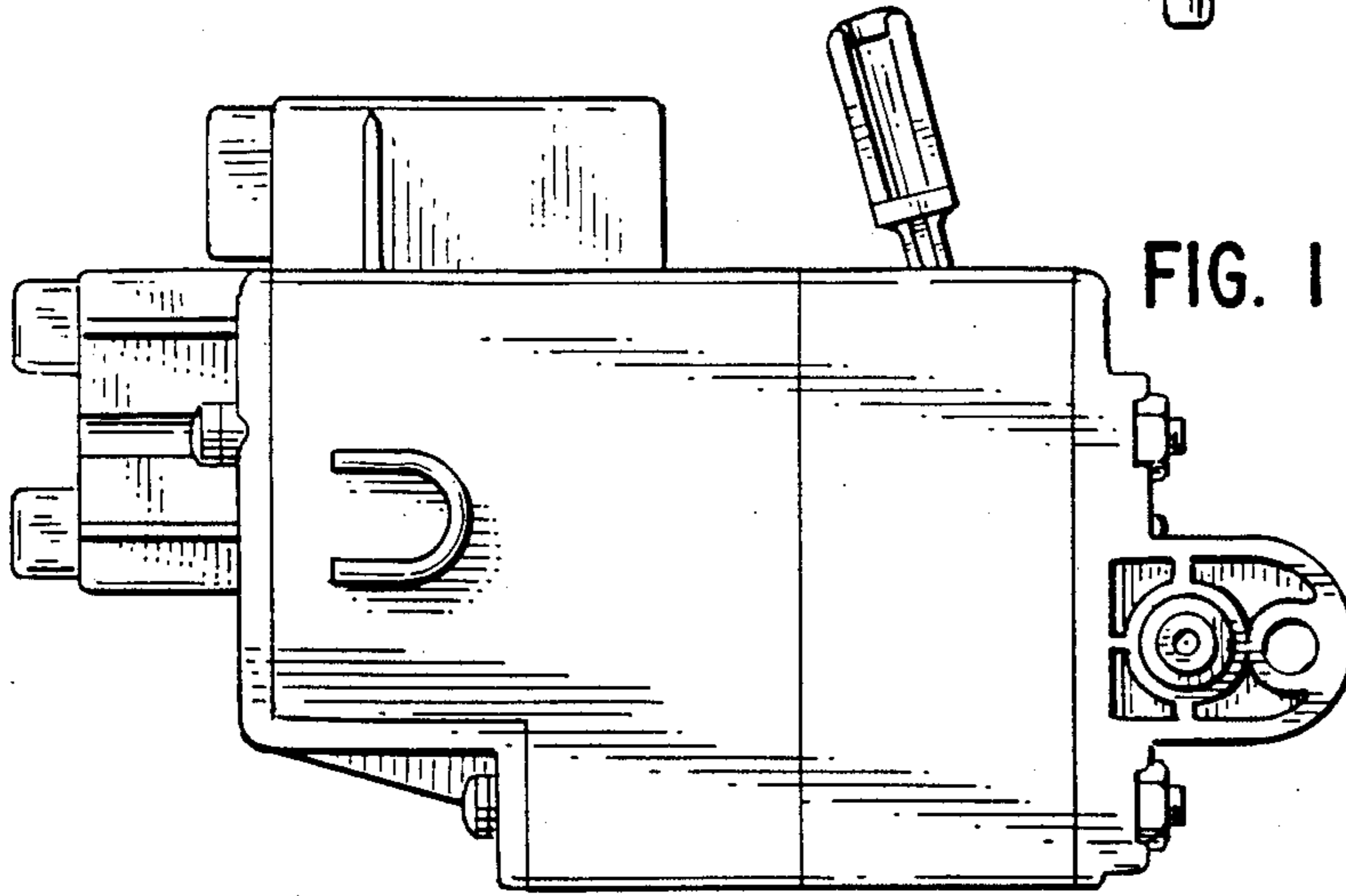


FIG. 1

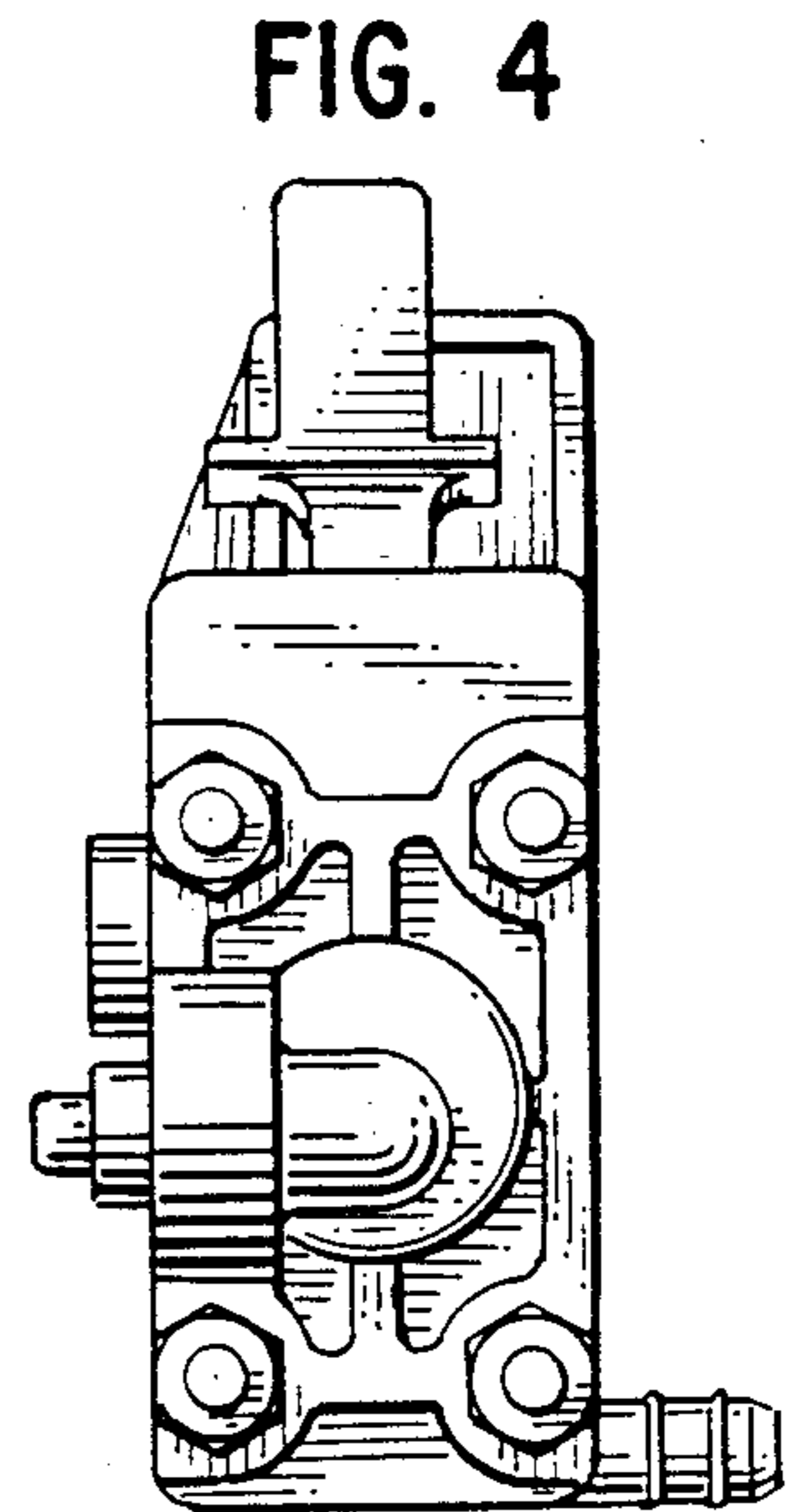


FIG. 4

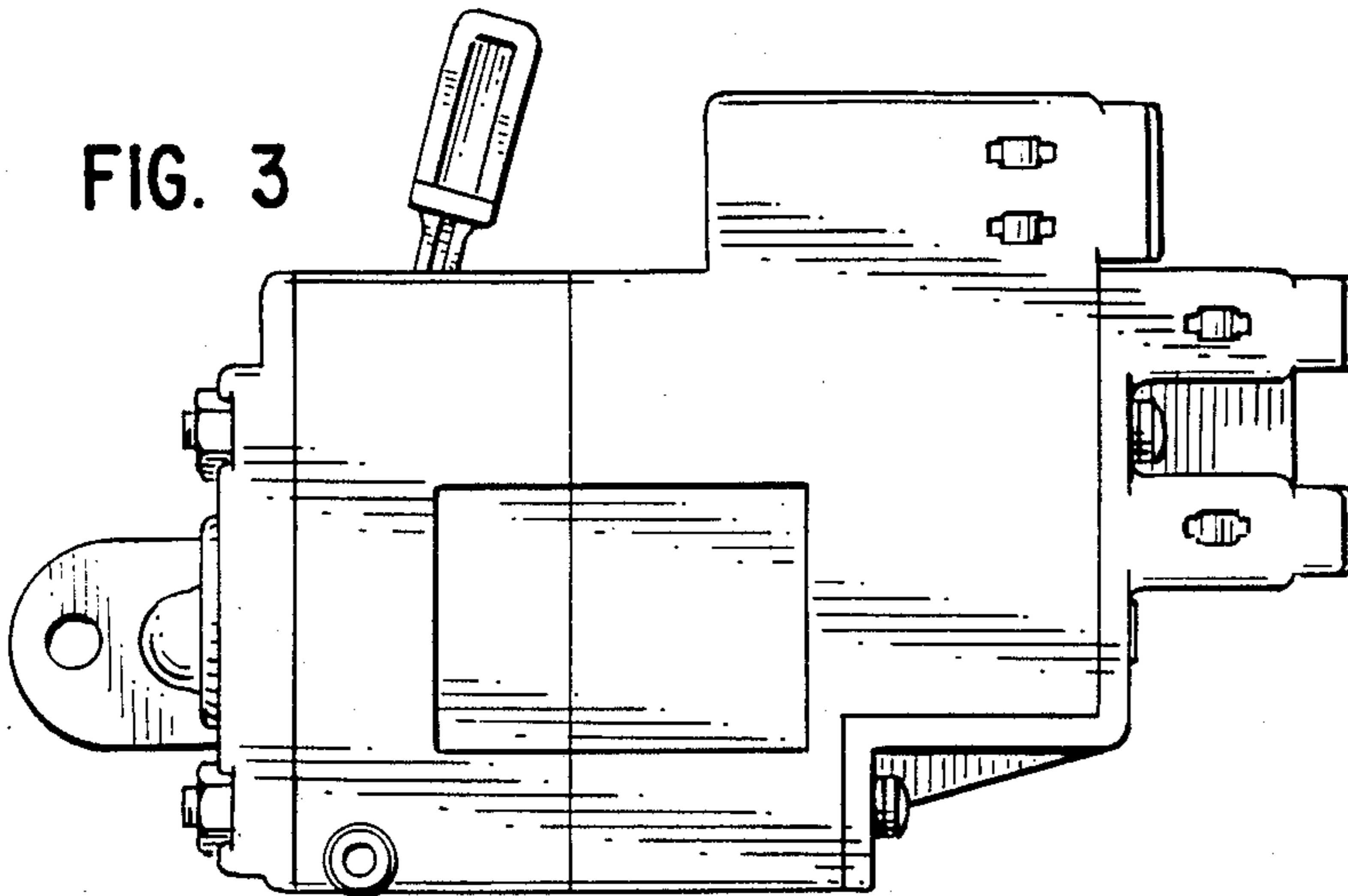


FIG. 3

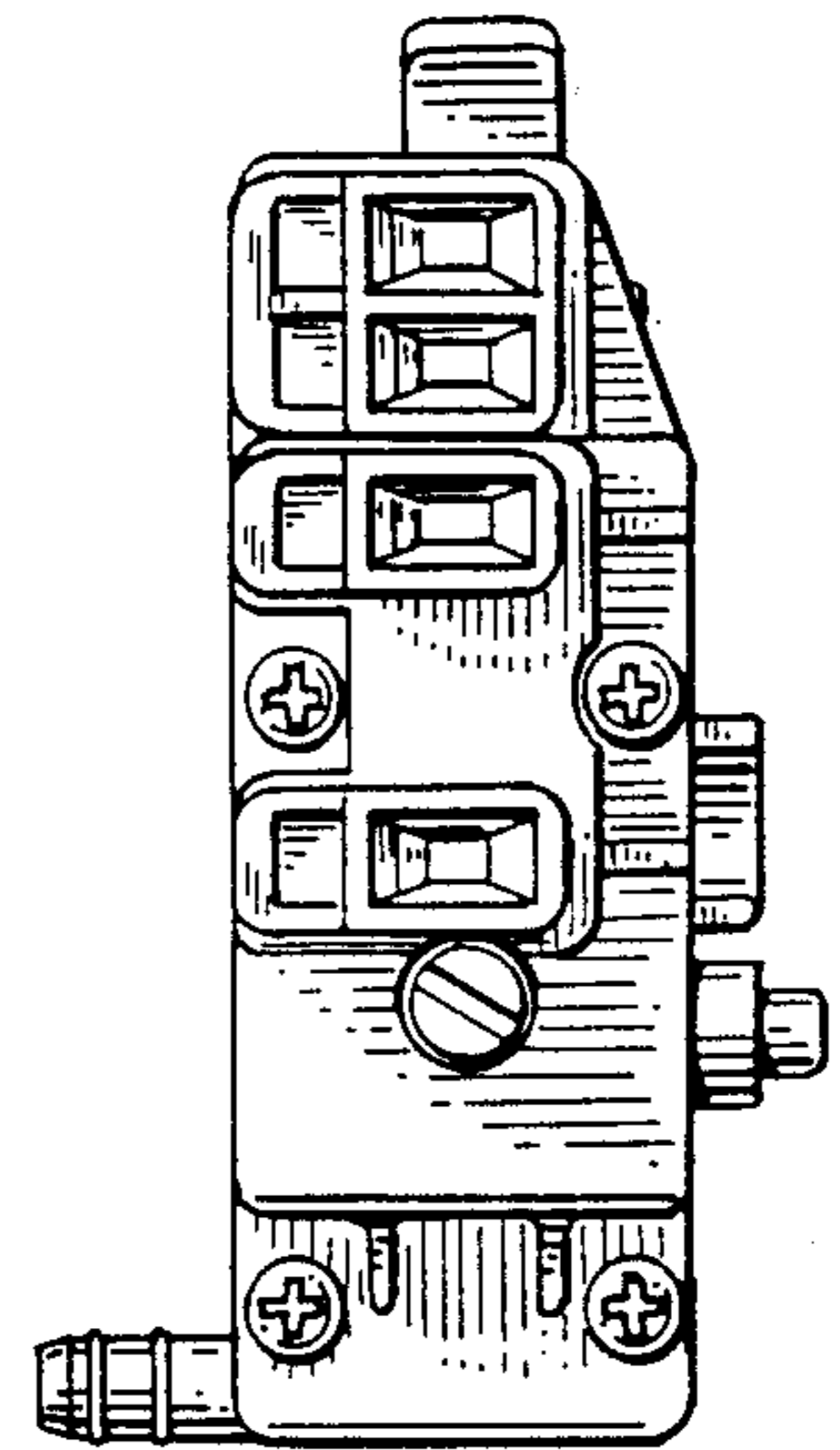


FIG. 5

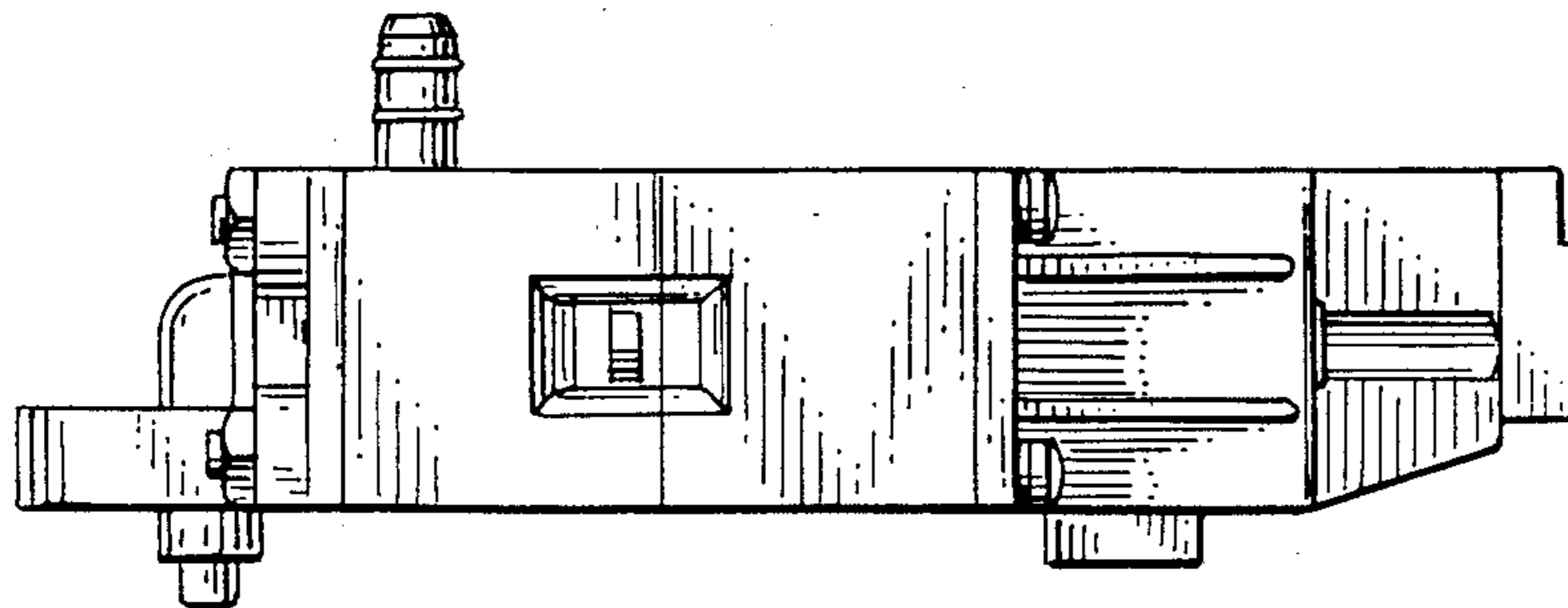


FIG. 6

FIG. 7

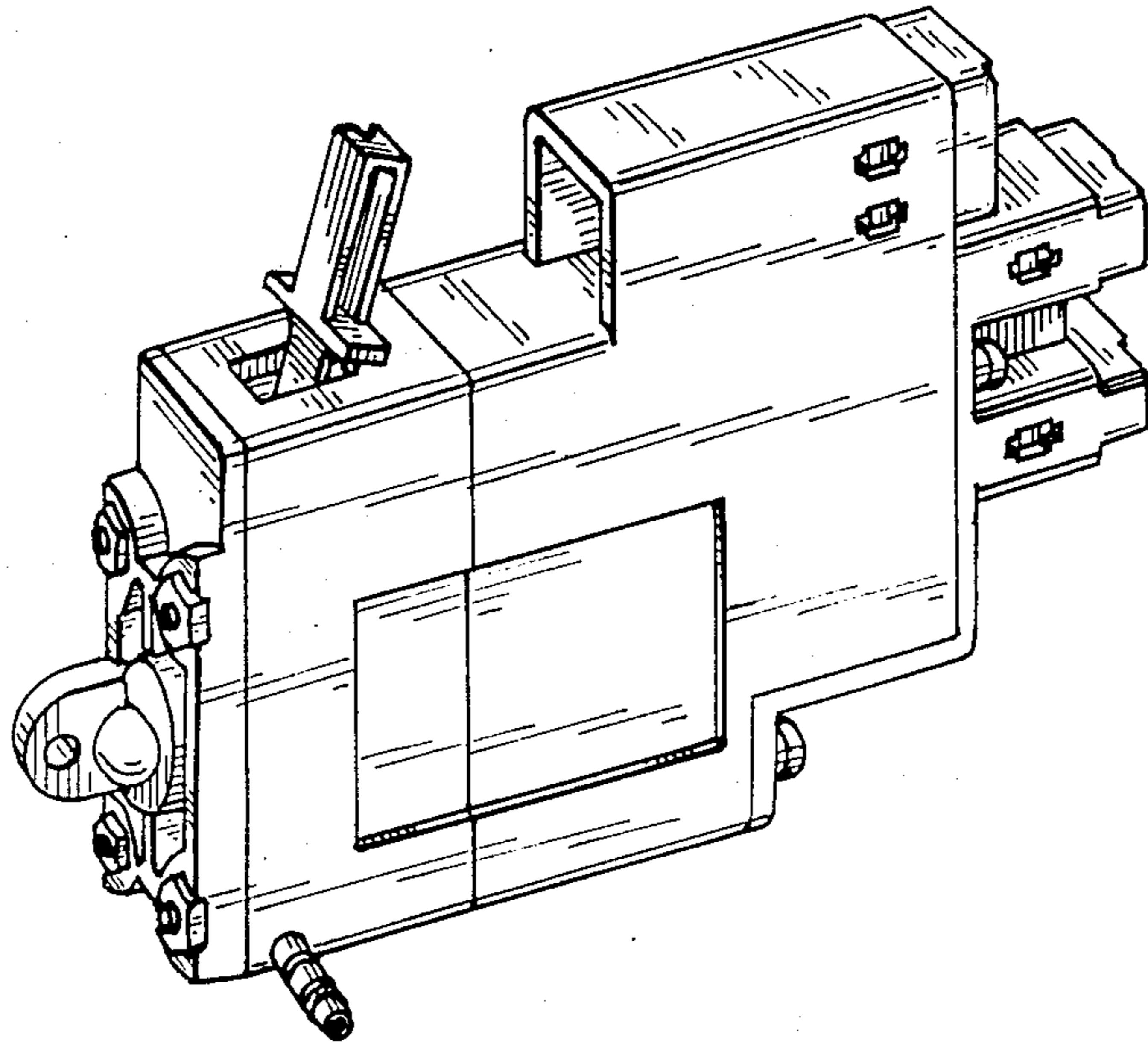


FIG. 8

