

[54] ENCLOSURE FOR A CABLE SPLICE

[75] Inventor: Selim Messelhi, Etobicoke, Canada

[73] Assignee: Communications Technology Corporation, Dallas, Tex.

[**] Term: 14 Years

[21] Appl. No.: 226,985

[22] Filed: Aug. 1, 1988

[52] U.S. Cl. D13/154; D13/184

[58] Field of Search D13/13, 35, 40; 174/138 F, 50, 66; 439/465; 361/395

[56] References Cited

U.S. PATENT DOCUMENTS

4,218,724	8/1980	Kaufman	361/395
4,337,374	6/1982	Smith	174/138
4,449,015	5/1984	Hotchkiss et al.	174/66 X
4,649,230	3/1987	Nielsen	174/50 X
4,775,122	10/1988	McClymont	439/465 X

FOREIGN PATENT DOCUMENTS

2201306	8/1988	United Kingdom	439/465
---------	--------	----------------	---------

OTHER PUBLICATIONS

Klippon box on p. 101 of Electrical Review, vol. 216, No. 10, 3-22-85, upper right photo.

Primary Examiner—Susan J. Lucas
Assistant Examiner—Joel Sincavage
Attorney, Agent, or Firm—Gerald G. Crutsinger; John F. Booth; Norman L. Gundel

[57] CLAIM

The ornamental design for an enclosure for a cable splice, as shown and described.

DESCRIPTION

FIG. 1 is a perspective view of an enclosure for cable splice illustrating the front, right side and top of my new design;

FIG. 2 is a perspective view thereof illustrating the rear, right side and bottom thereof;

FIG. 3 is a front elevational view thereof;

FIG. 4 is a top plan view of the upper most segment of my new design for an enclosure for a cable splice, the lower segment being omitted for the purposes of clarity and a complete disclosure;

FIG. 5 is a bottom plan view thereof;

FIG. 6 is a right side elevational view thereof, the left side elevational view being a mirror image;

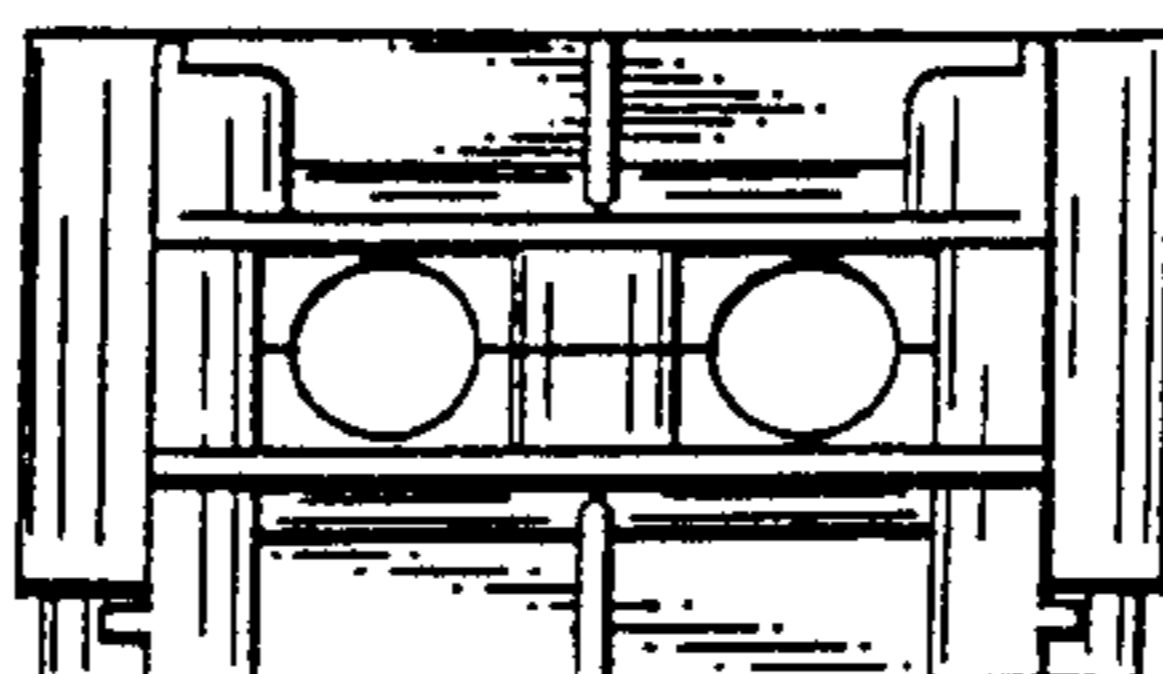
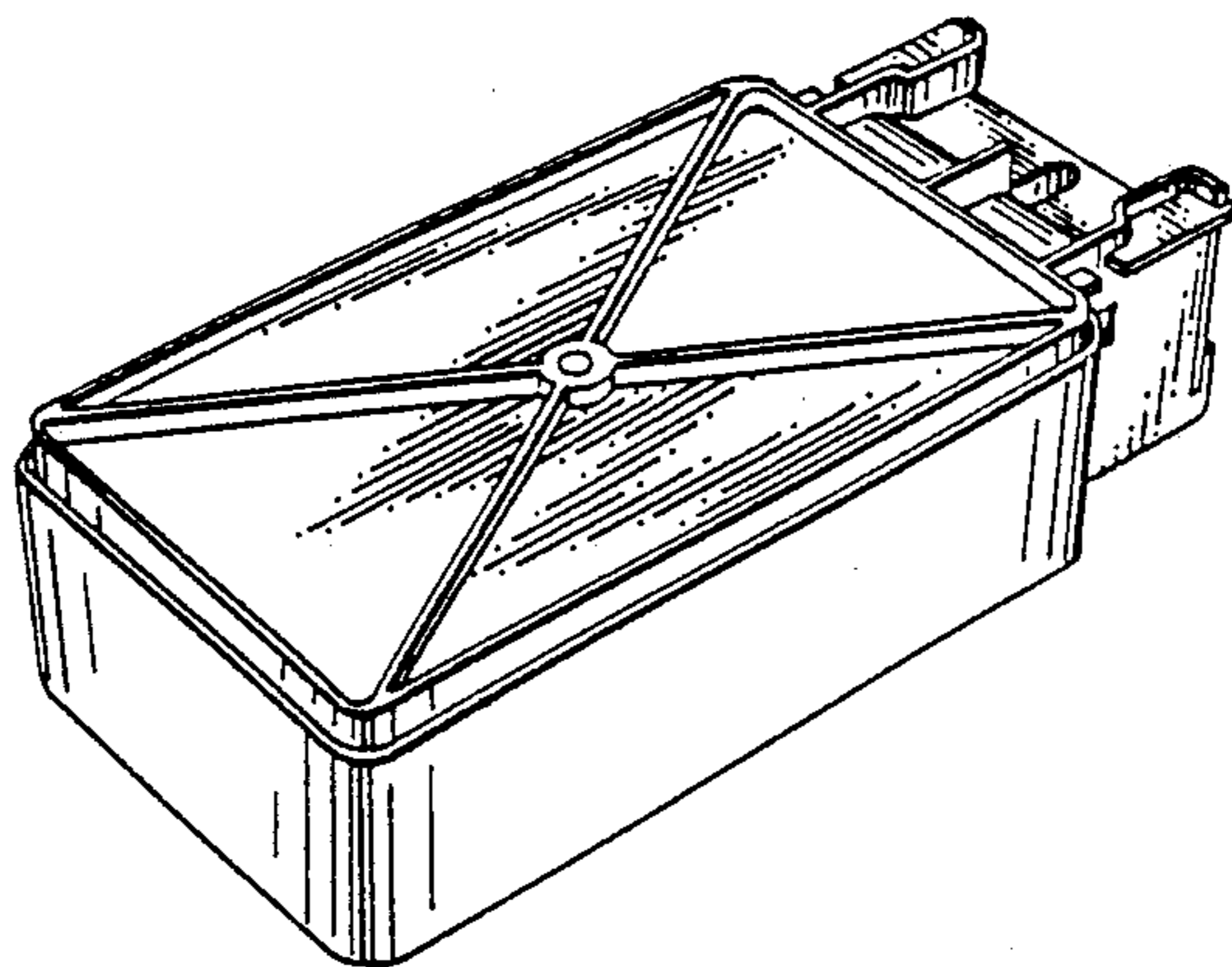
FIG. 7 is a top plan view of the lower segment of my new design for an enclosure for a cable splice, the upper segment being omitted for the purposes of clarity and a complete disclosure;

FIG. 8 is a bottom plan view thereof;

FIG. 9 is a right side elevational view thereof, the left side elevational view being a mirror image;

FIG. 10 is a fragmentary perspective view of the interior of the upper segment of my new design for an enclosure for a cable splice, the remainder of the upper portion interior being disclosed in FIG. 5 and the lower segment being omitted for clarity of disclosure; and

FIG. 11 is a fragmentary perspective view of the interior of the lower segment of my new design for an enclosure for a cable splice, the remainder of lower segment interior being disclosed in FIG. 7, and the upper segment being omitted for clarity.



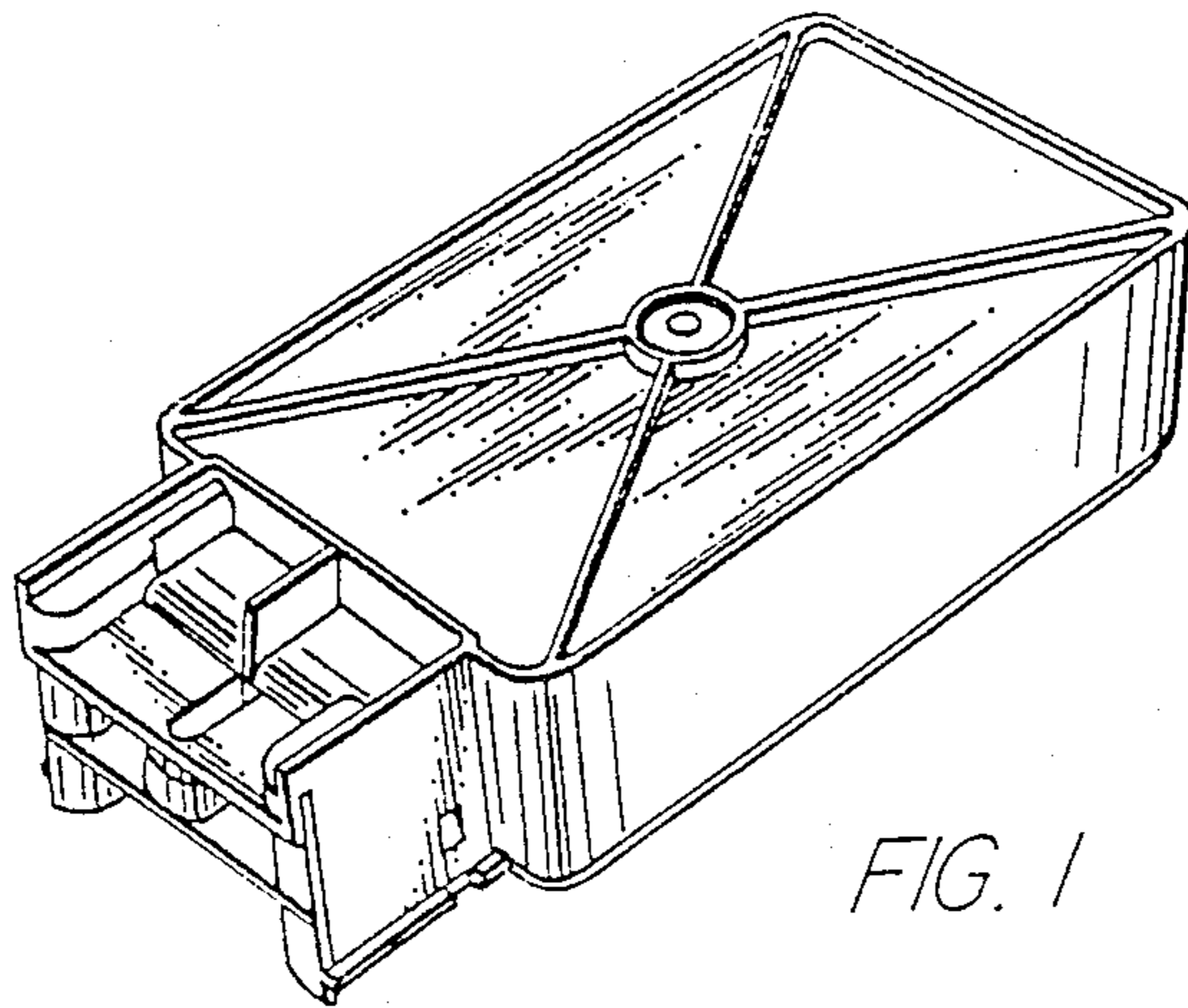


FIG. 1

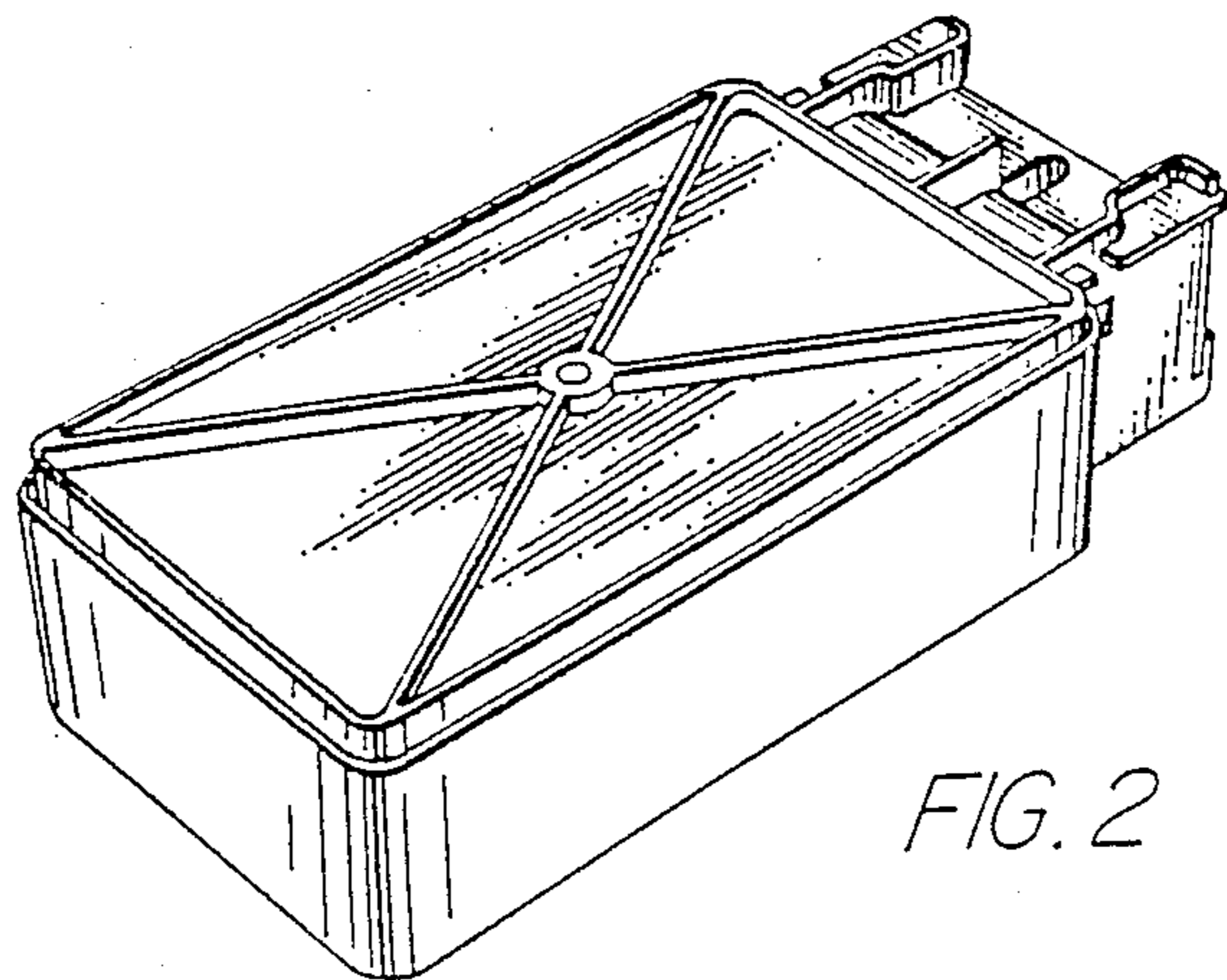


FIG. 2

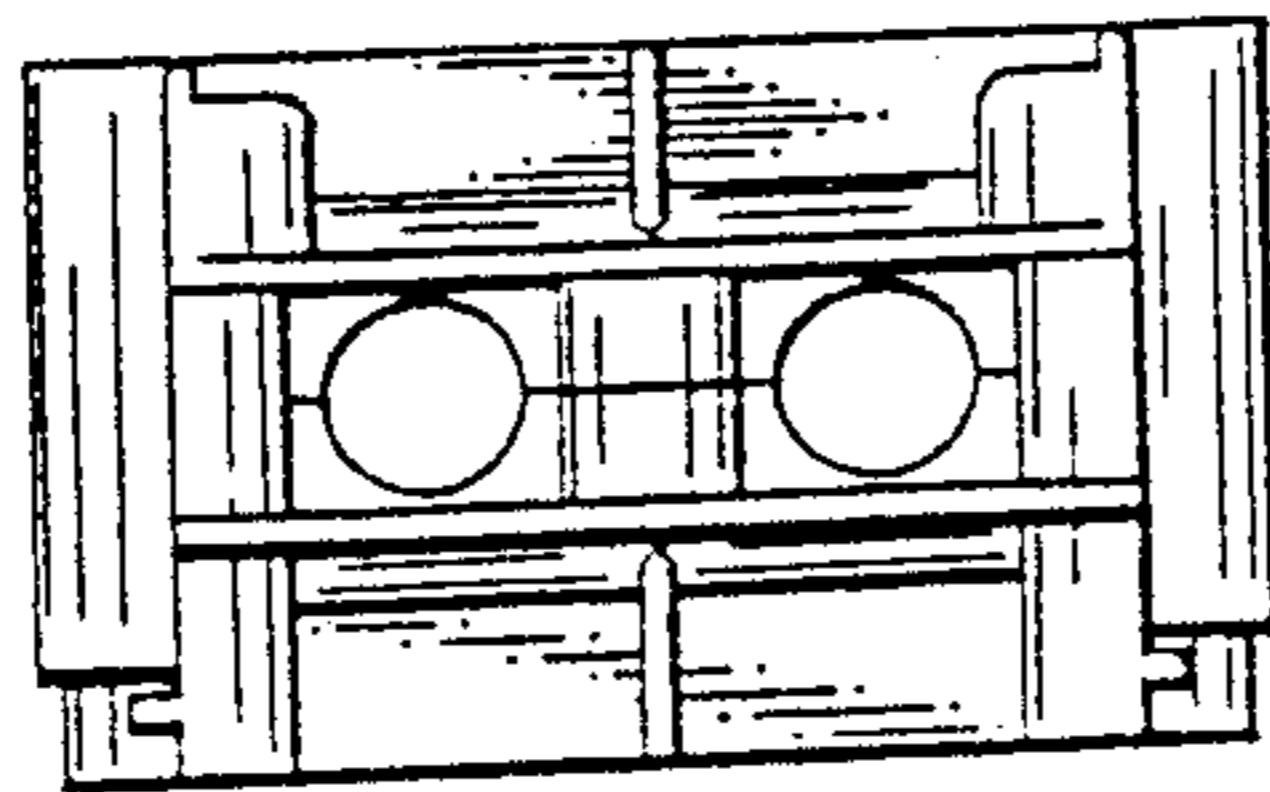


FIG. 3

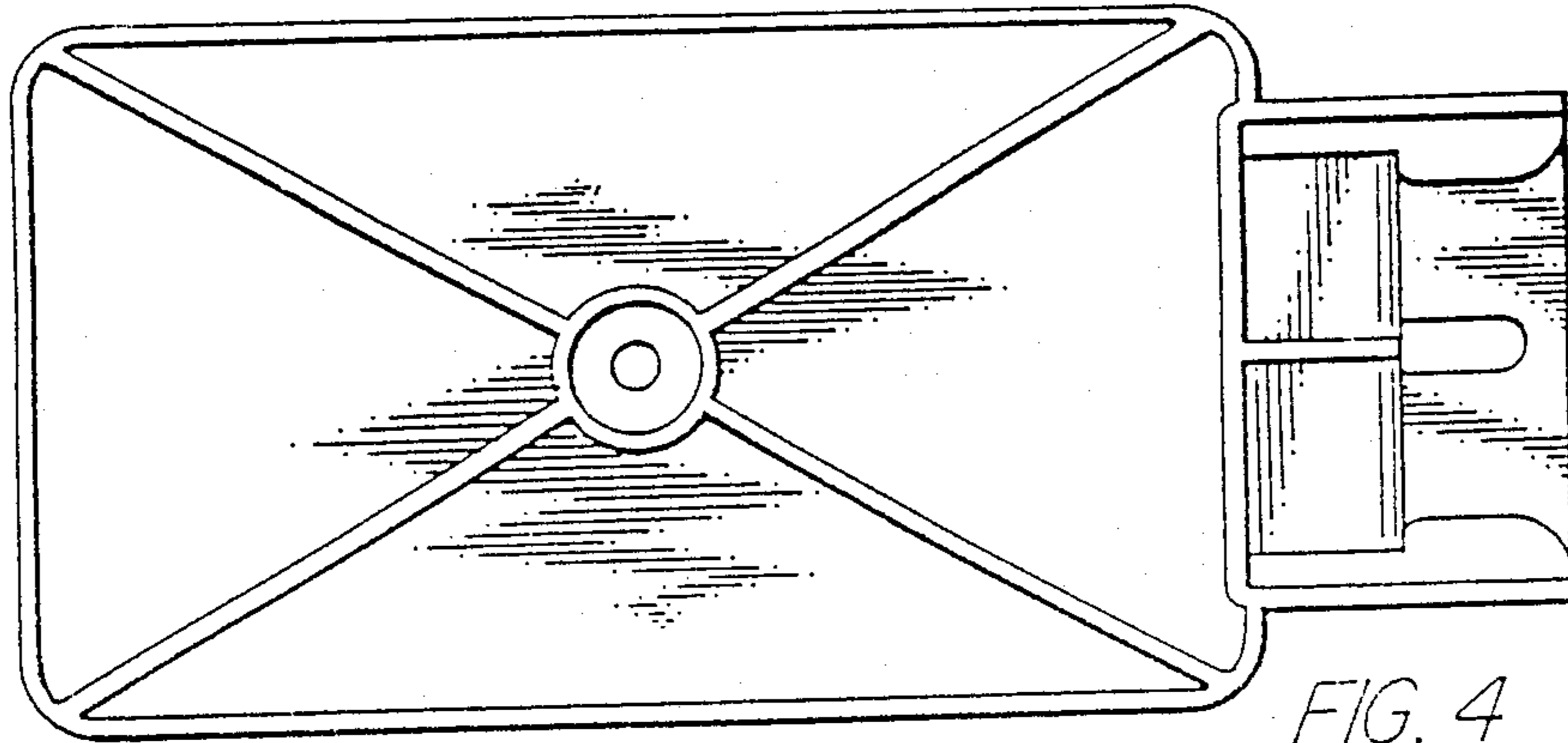


FIG. 4

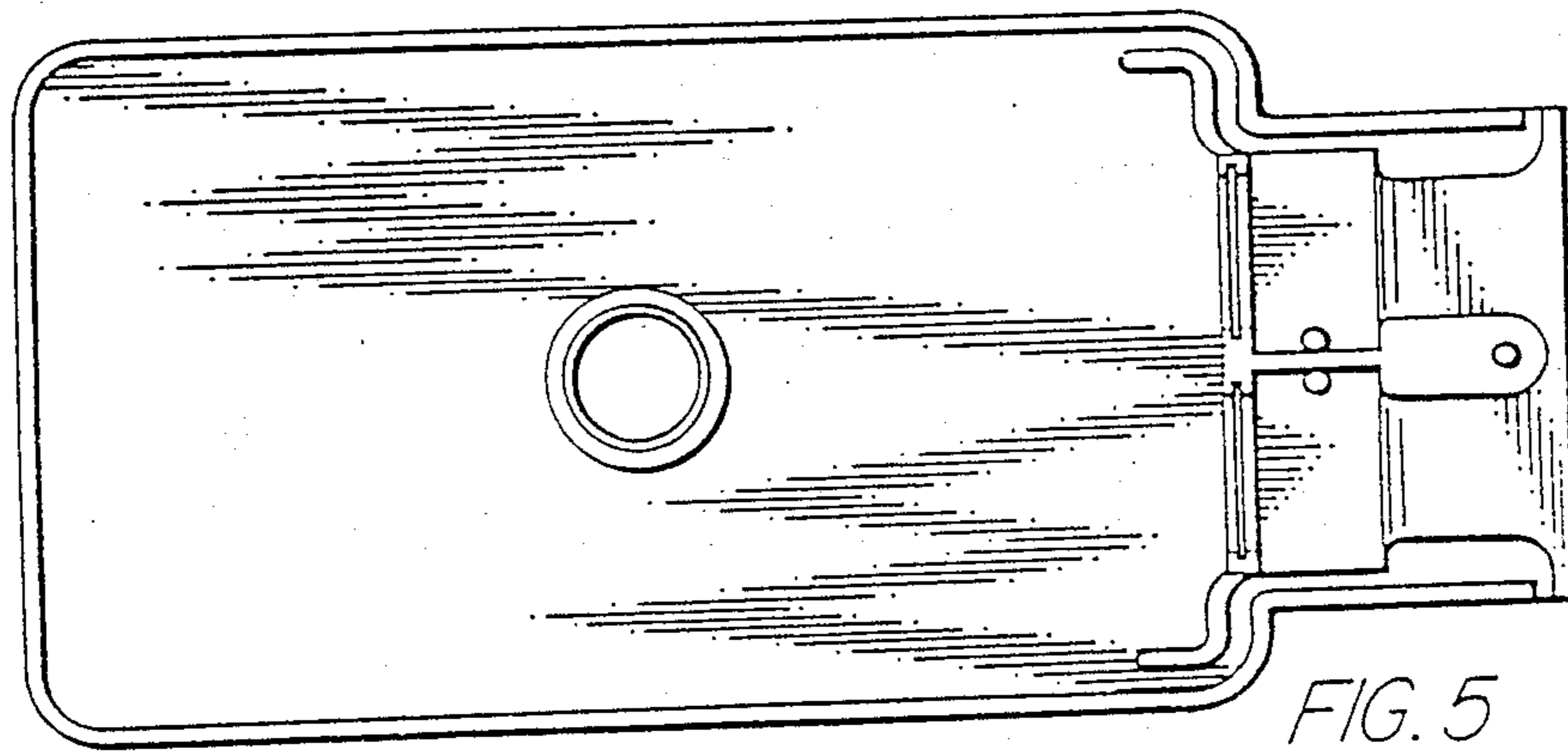


FIG. 5

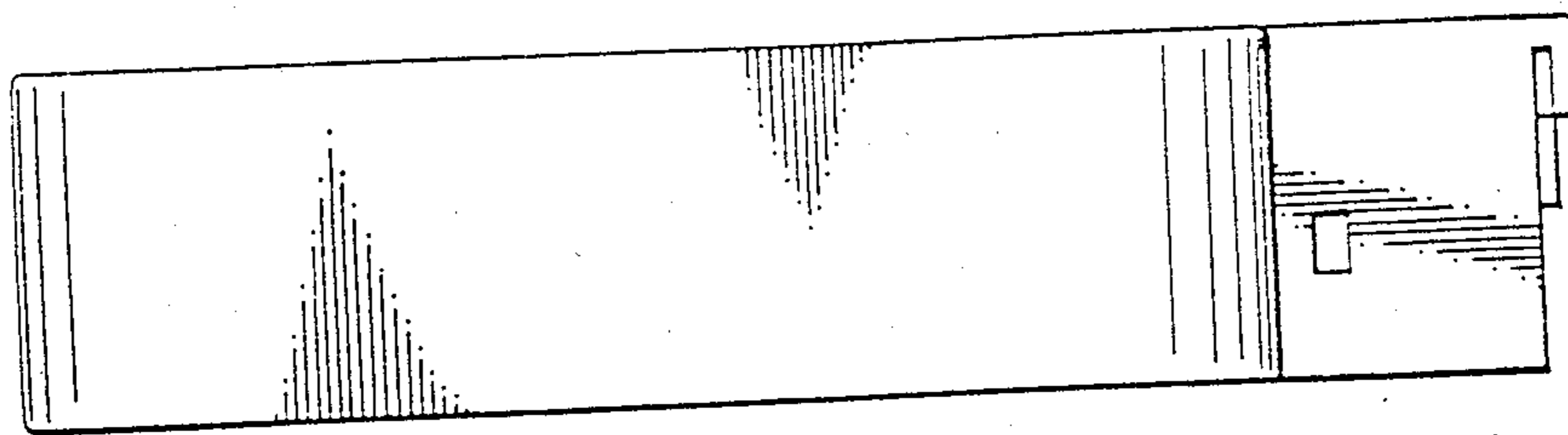


FIG. 6

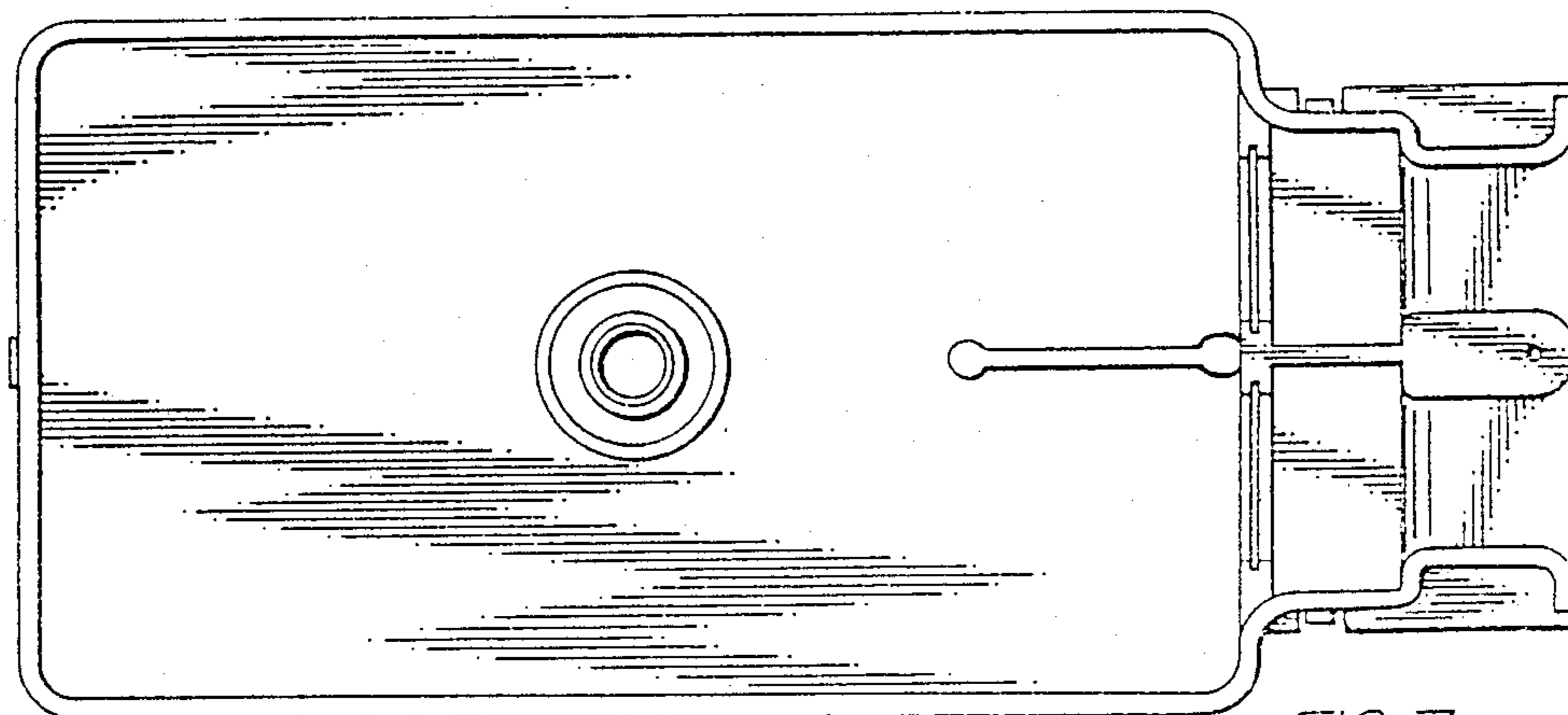


FIG. 7

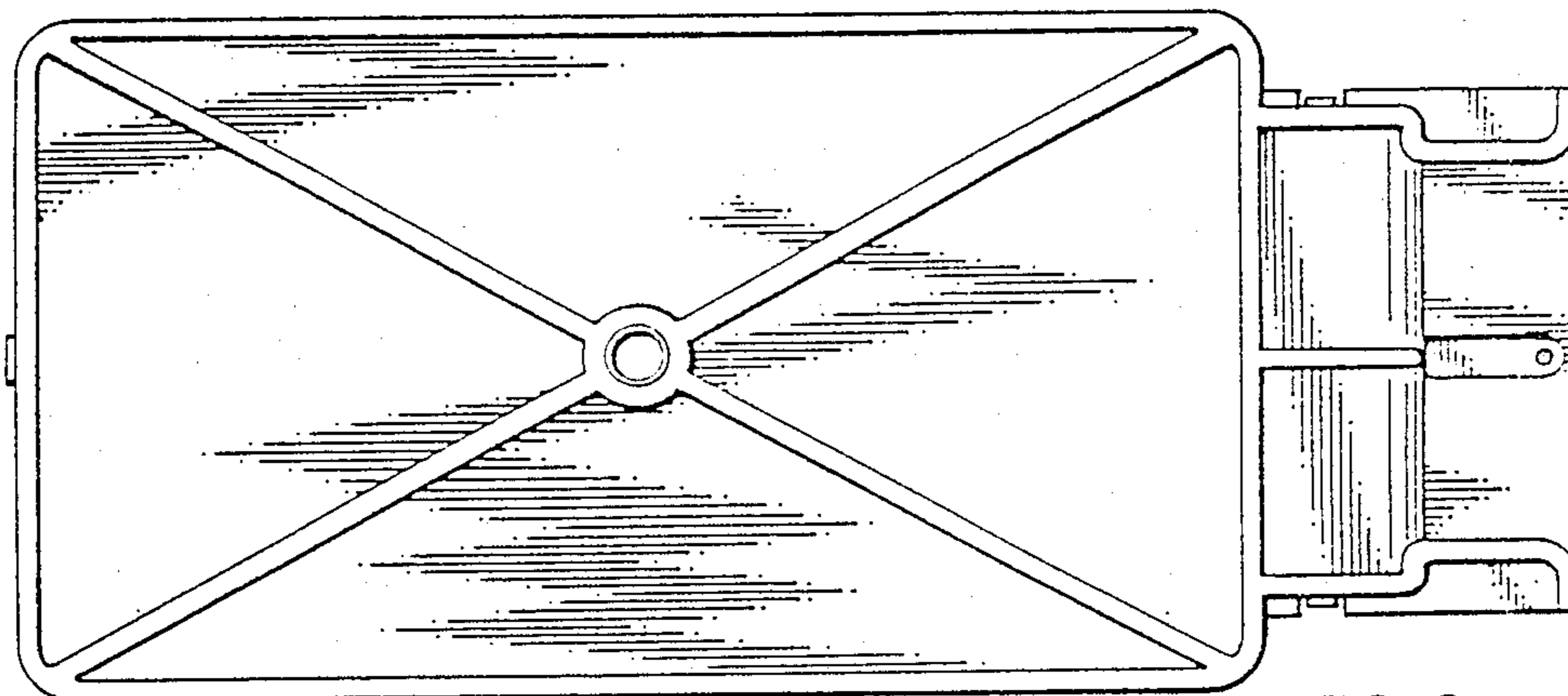


FIG. 8

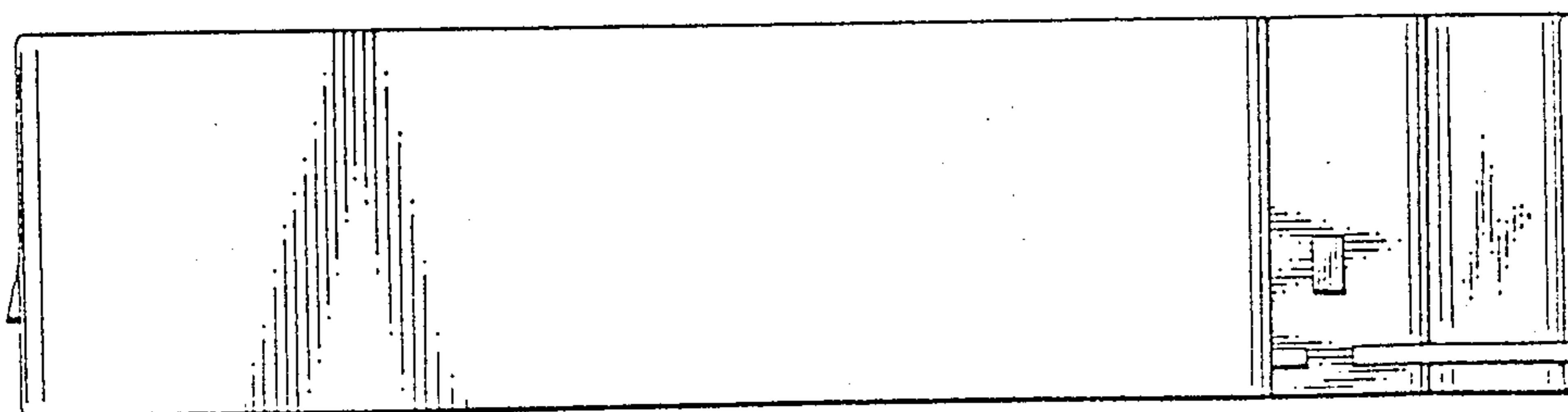


FIG. 9

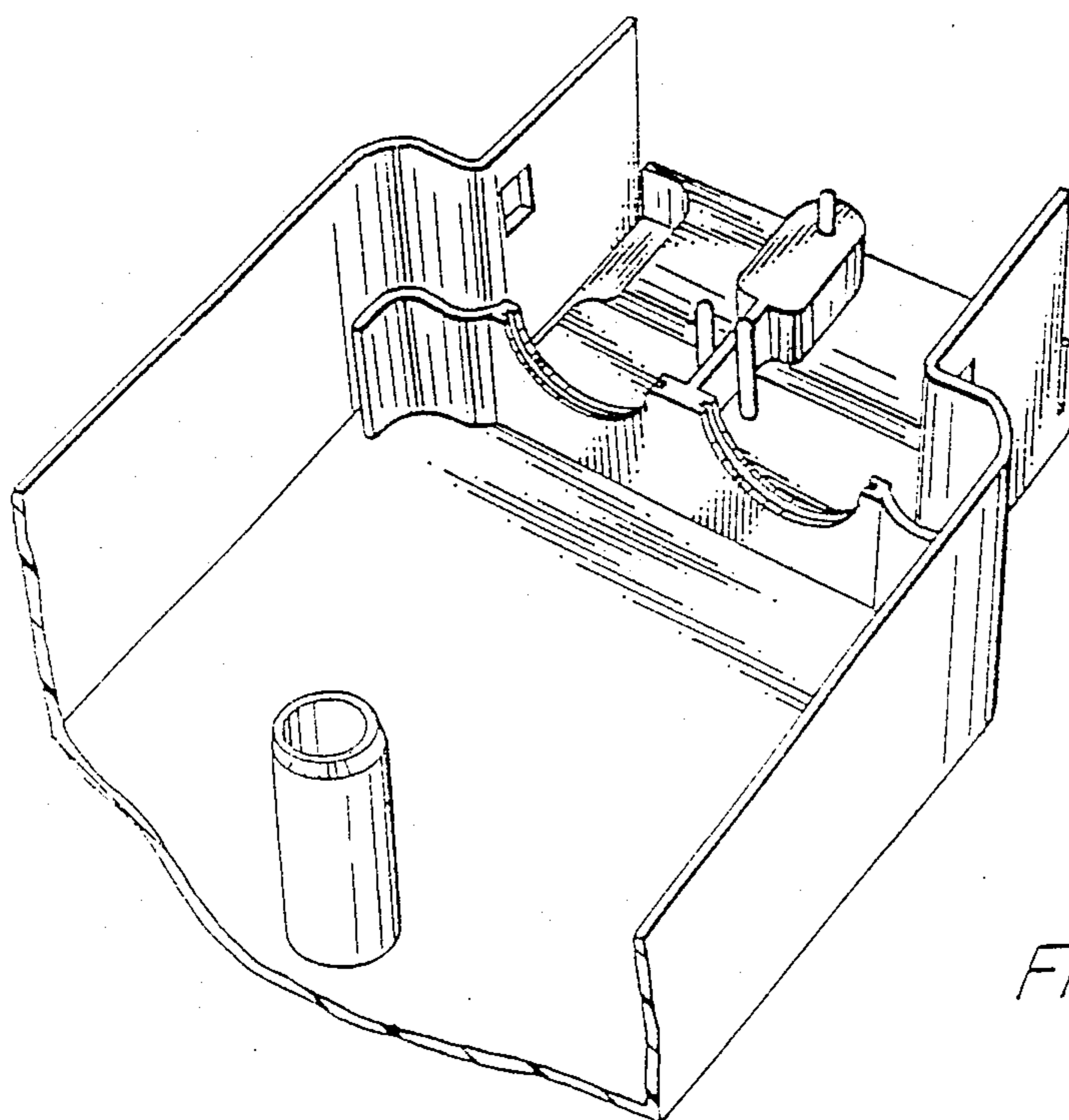


FIG. 10

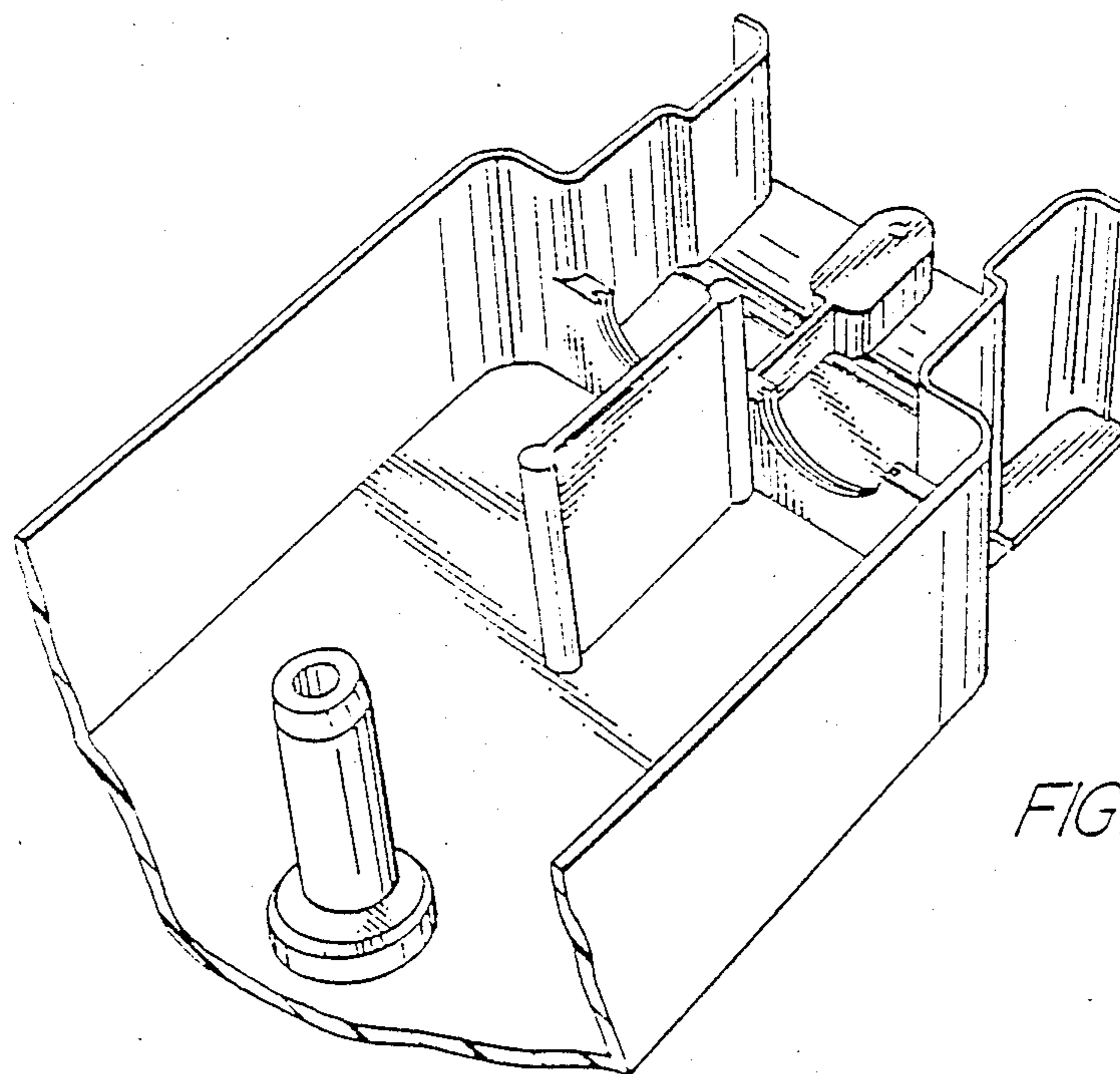


FIG. 11