

[54] **COMBINED OUTLET FOR PNEUMATICAL AND ELECTRICAL RECEPTACLES**

[76] **Inventor: Joseph Berlin, Briar House, Apartment C-25, 8302 Old York Rd., Elkins Park, Pa. 19117**

[**] **Term: 14 Years**

[21] **Appl. No.: 89,843**

[22] **Filed: Aug. 27, 1987**

[52] **U.S. Cl. D13/147; D23/209; D23/235; D13/137**

[58] **Field of Search D13/133, 137, 146, 147, D13/152; D23/200, 209, 235, 259; 174/48, 66, 50.51, 52.1, 53, 54, 59; 220/3.2, 9.1, 241; 434/535, 536; 55/218, 219; 137/505, 505.11, 505.12, 505.2**

[56] **References Cited**

U.S. PATENT DOCUMENTS

D. 265,900 8/1982 Johnson D23/235

OTHER PUBLICATIONS

SC Hydraulic Pump on p. 96 of *New Equipment Digest*, 6-86.

Electrical Box on p. 133 of *Heating/Piping/Air Conditioning*, 12/86.

Primary Examiner—James M. Gandy

Assistant Examiner—Joel Sincavage

Attorney, Agent, or Firm—Eckert Seamans Cherin & Mellott

[57] **CLAIM**

The ornamental design for a combined outlet for pneumatical and electrical receptacles, as shown and described.

DESCRIPTION

FIG. 1 is a perspective view of a combined outlet for pneumatical and electrical receptacles showing my new design;

FIG. 2 is a front elevational view thereof;

FIG. 3 is a rear elevational view thereof;

FIG. 4 is a left side elevational view thereof;

FIG. 5 is a right side elevational view thereof;

FIG. 6 is a top plan view thereof; and

FIG. 7 is a bottom plan view thereof.

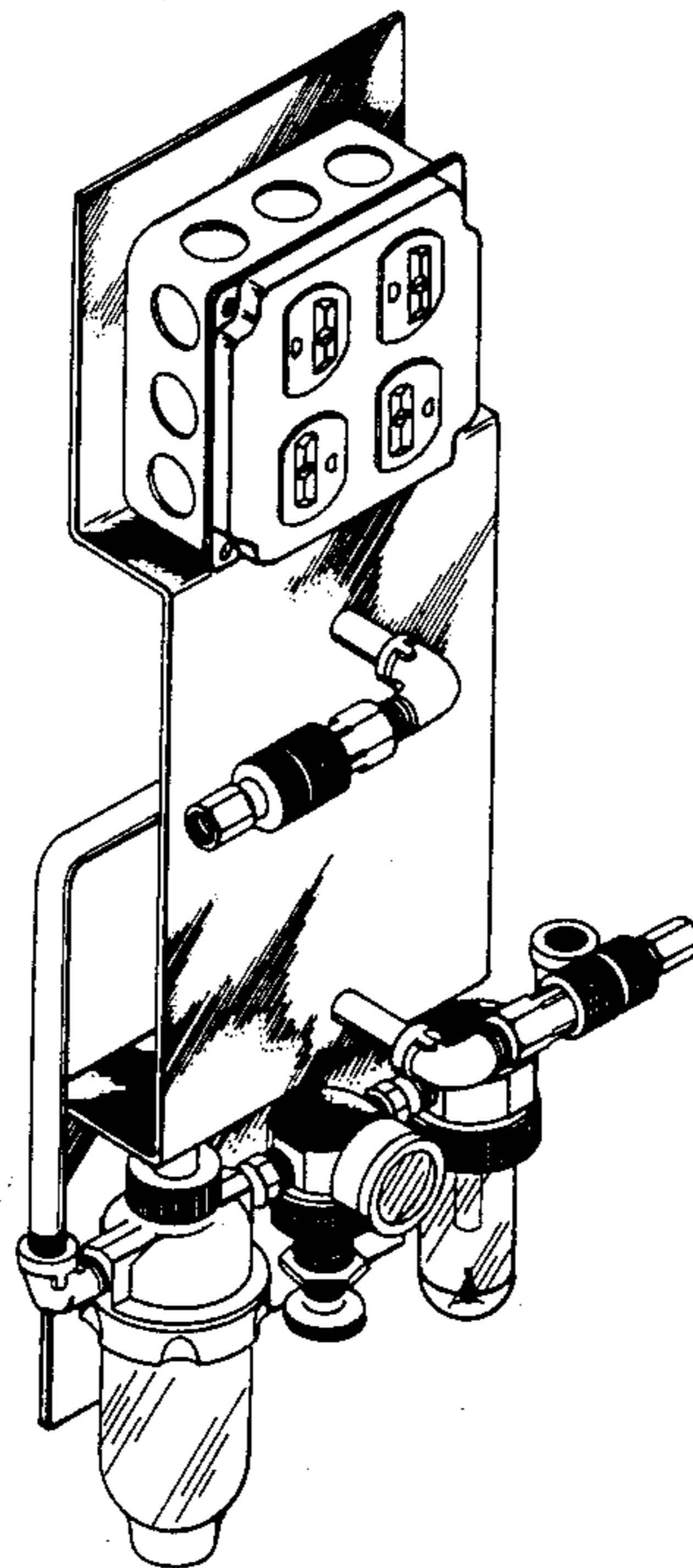
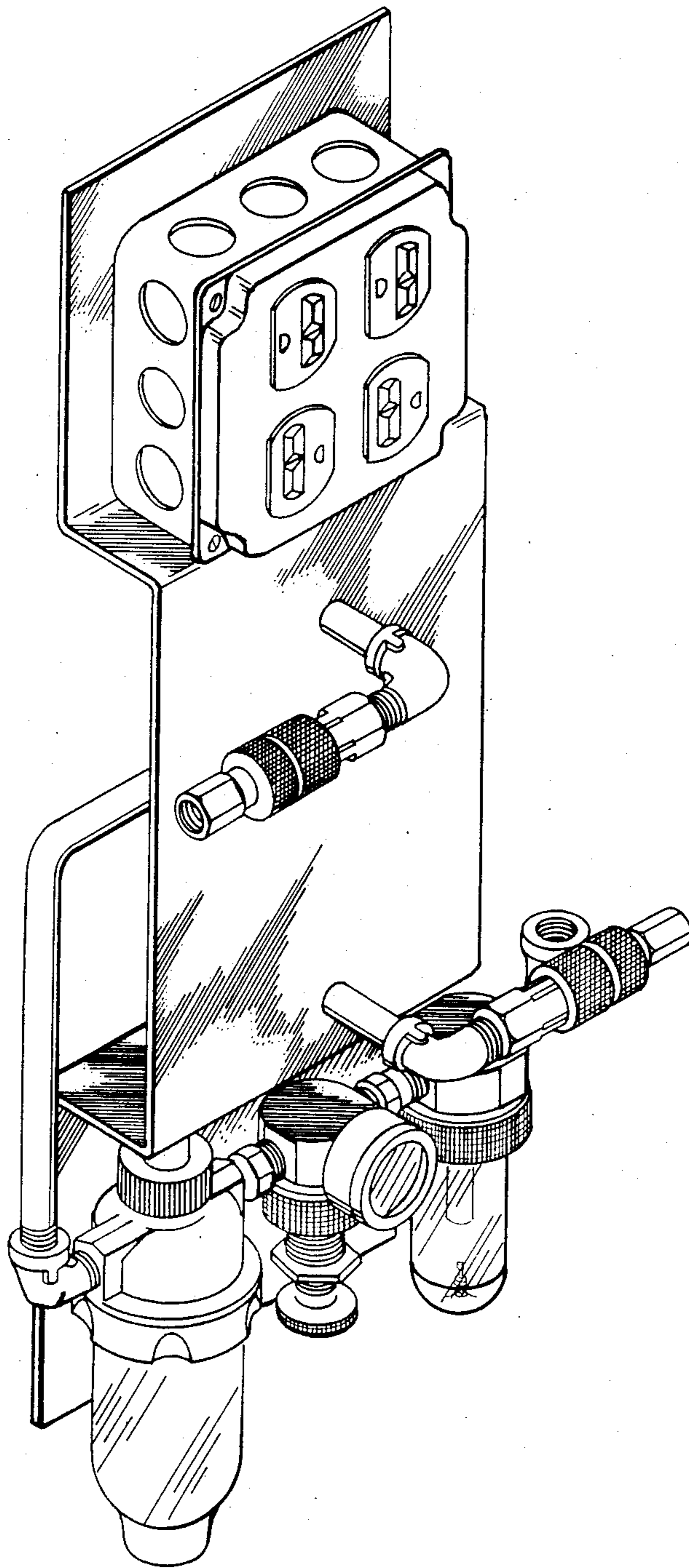


FIG. 1



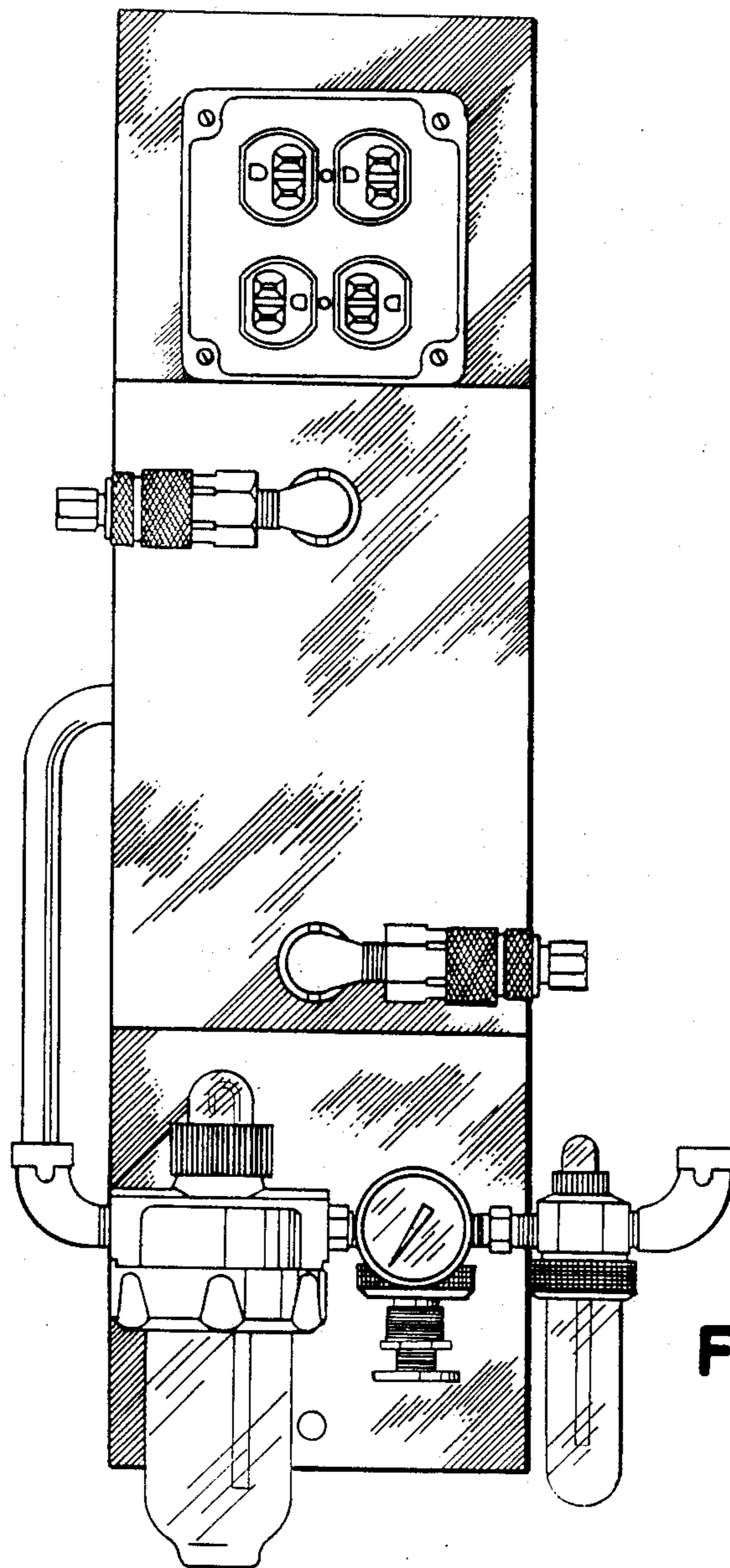


FIG. 2

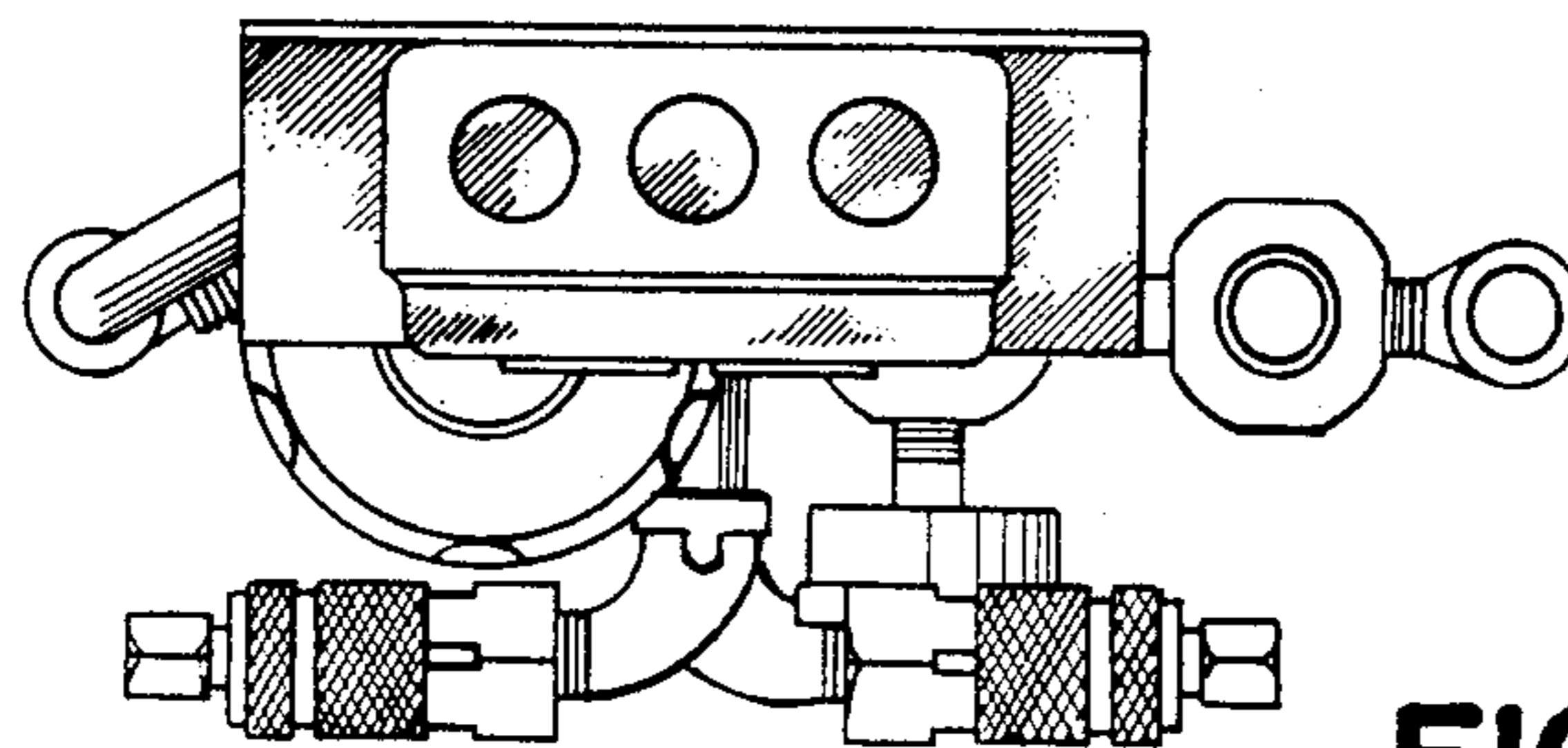


FIG. 6

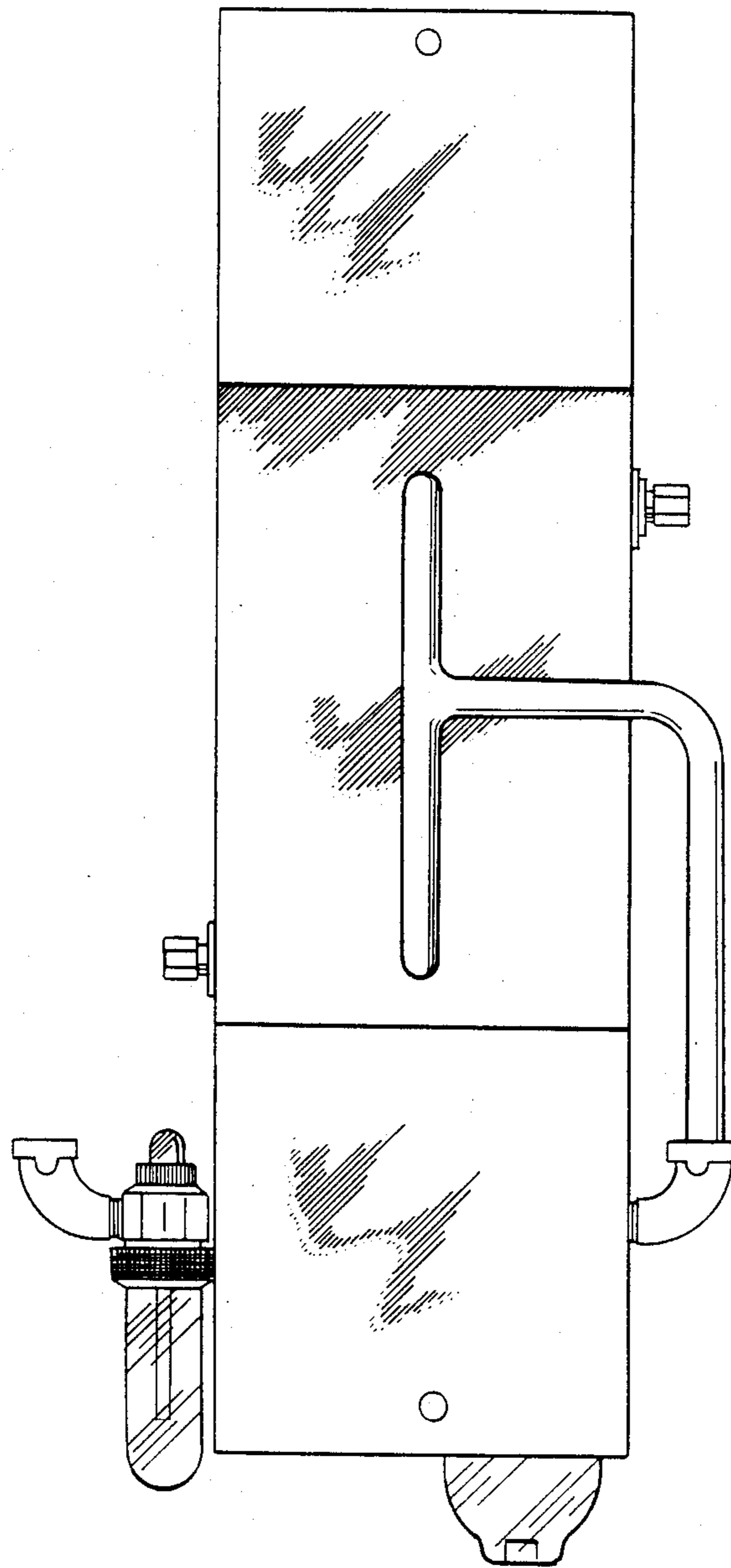


FIG. 3

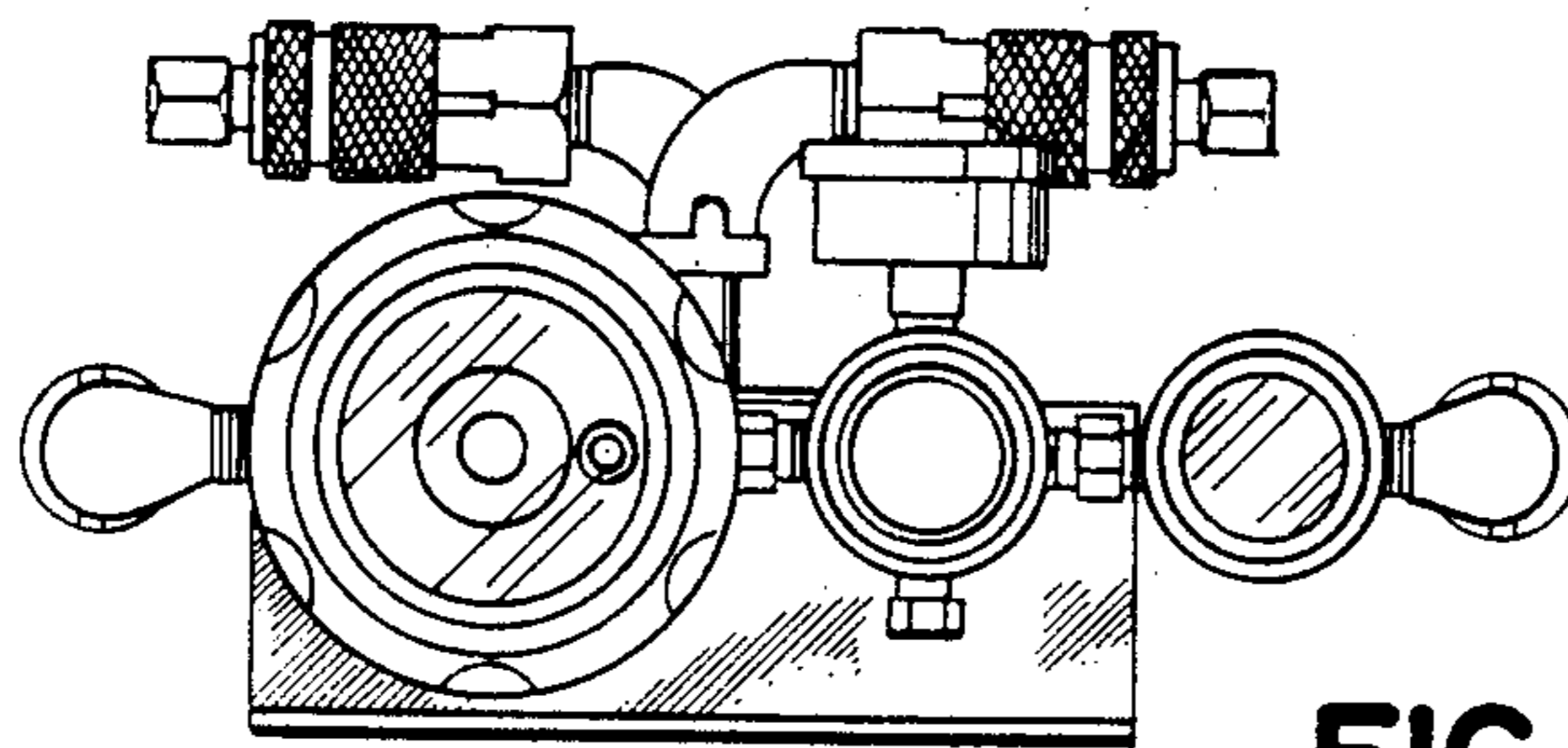


FIG. 7

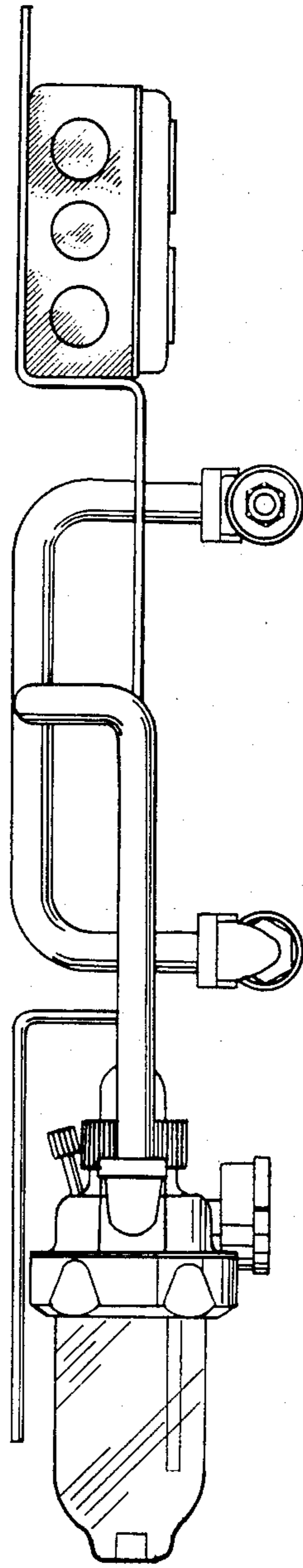


FIG. 4

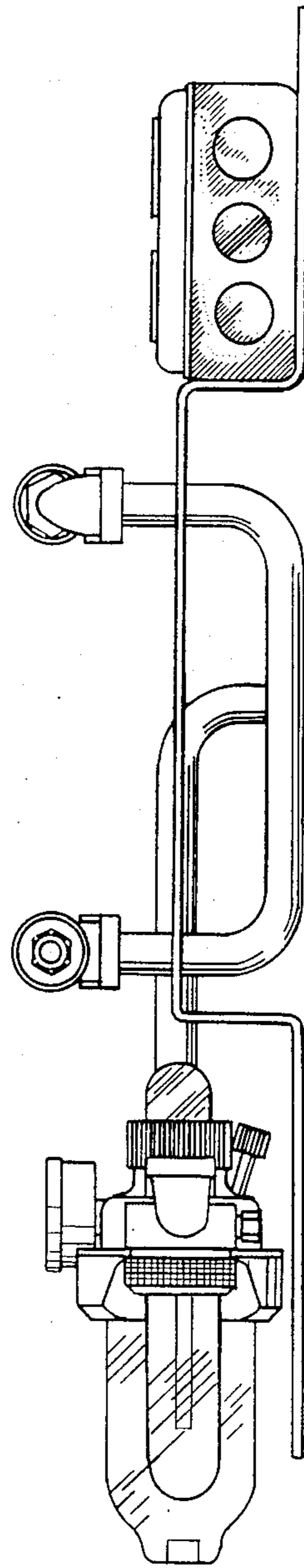


FIG. 5