

[54] GROUNDING STRAP FOR METAL PIPES

[76] Inventor: Isaac Sachs, 1240 Ridgewood Dr., Chomedey, Laval, Quebec, Canada, H7W 1L3

[**] Term: 14 Years

[21] Appl. No.: 205,788

[22] Filed: Jun. 13, 1988

[52] U.S. Cl. D13/133

[58] Field of Search D13/133, 137, 138, 139, D13/141, 151, 154; D8/366, 371, 394, 396; D24/64; 174/6; 439/100, 96, 92, 790, 791, 799, 800; 248/74.3

[56] References Cited

U.S. PATENT DOCUMENTS

D. 263,788 4/1982 McKinnon et al. D8/394
4,664,469 5/1987 Sachs 439/100

OTHER PUBLICATIONS

Radio Diget, Oct. 1923, p. 8, Improved Ground Clamp.

Primary Examiner—James M. Gandy
Assistant Examiner—Lisa Lichtenstein

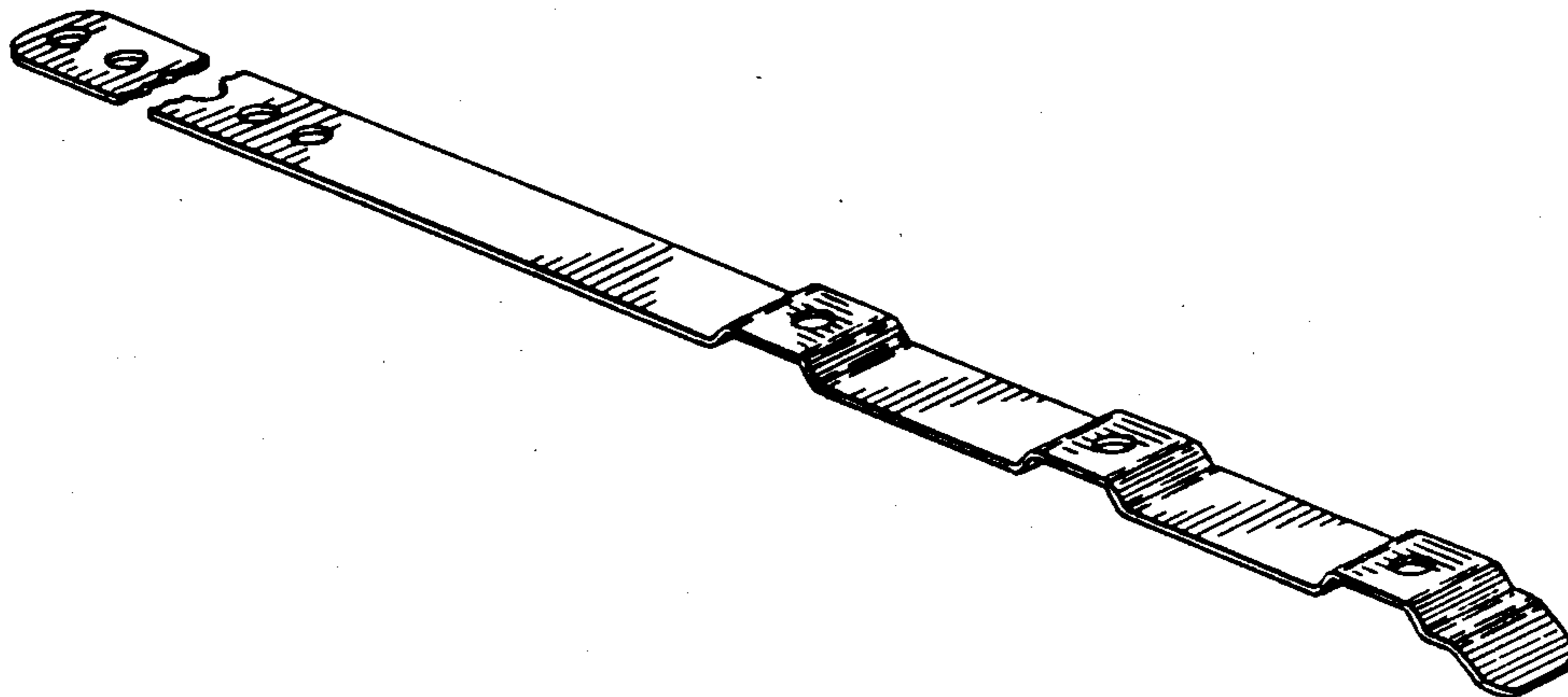
Attorney, Agent, or Firm—Charles E. Brown; Charles A. Brown

[57] CLAIM

The ornamental design for a grounding strap for metal pipes, as shown and described.

DESCRIPTION

FIG. 1 is a top perspective view of a grounding strap for metal pipes showing my new design;
FIG. 2 is a side elevation view thereof, the opposite side being a mirror image of that shown;
FIG. 3 is a top plan view thereof;
FIG. 4 is a bottom plan view thereof;
FIG. 5 is a left end elevation view thereof;
FIG. 6 is a right end elevation view thereof;
FIG. 7 is a top perspective view of a grounding strap for metal pipes, showing a second embodiment of my new design;
FIG. 8 is a side elevation view of FIG. 7, the opposite side being a mirror image of that shown;
FIG. 9 is a top plan view of FIG. 7;
FIG. 10 is a bottom plan view of FIG. 7;
FIG. 11 is a left end elevation view of FIG. 7; and
FIG. 12 is a right end elevation view of FIG. 7.
The ground strap has been broken away at one end in FIGS. 1, 2, 3, 4, 7, 8, 9, and 10, to indicate indeterminate length.



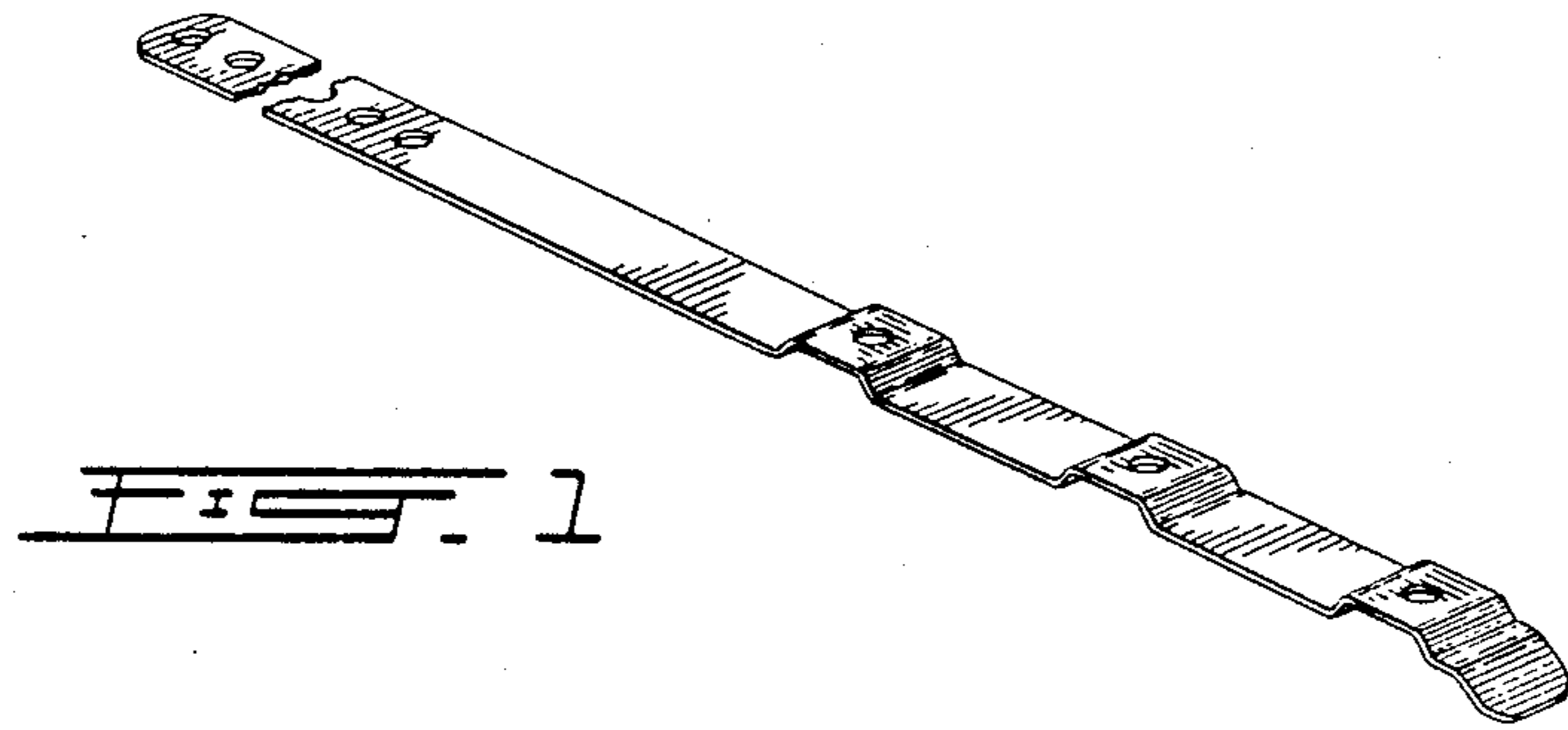


FIG. 1



FIG. 2



FIG. 3



FIG. 4



FIG. 5

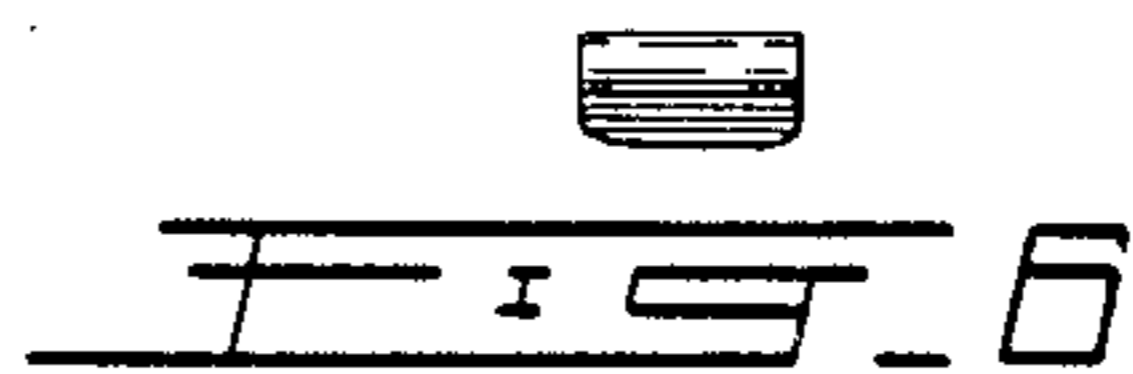


FIG. 6

