

**United States Patent** [19]  
**Pudwill**

[11] **Patent Number: Des. 313,391**  
[45] **Date of Patent: \*\* Jan. 1, 1991**

[54] **BATTERY PACK**  
[75] **Inventor: Horst Pudwill, Kowloon, Hong Kong**  
[73] **Assignee: International Consumer Brands, Inc., Trumbell, Conn.**  
[\*\*] **Term: 14 Years**  
[21] **Appl. No.: 284,865**  
[22] **Filed: Dec. 13, 1988**  
[52] **U.S. Cl. .... D13/103**  
[58] **Field of Search ..... D13/8, 10, 4, 103, 119; 310/50; 320/27; 429/48, 54, 96, 97, 99, 121, 122, 160, 163, 176, 178, 187**

3,999,110 12/1976 Ramstrom et al. .... 310/50 X  
4,751,452 6/1988 Kilmer et al. .... 310/50 X

*Primary Examiner*—Susan J. Lucas  
*Assistant Examiner*—Joel Sincavage  
*Attorney, Agent, or Firm*—Blum Kaplan

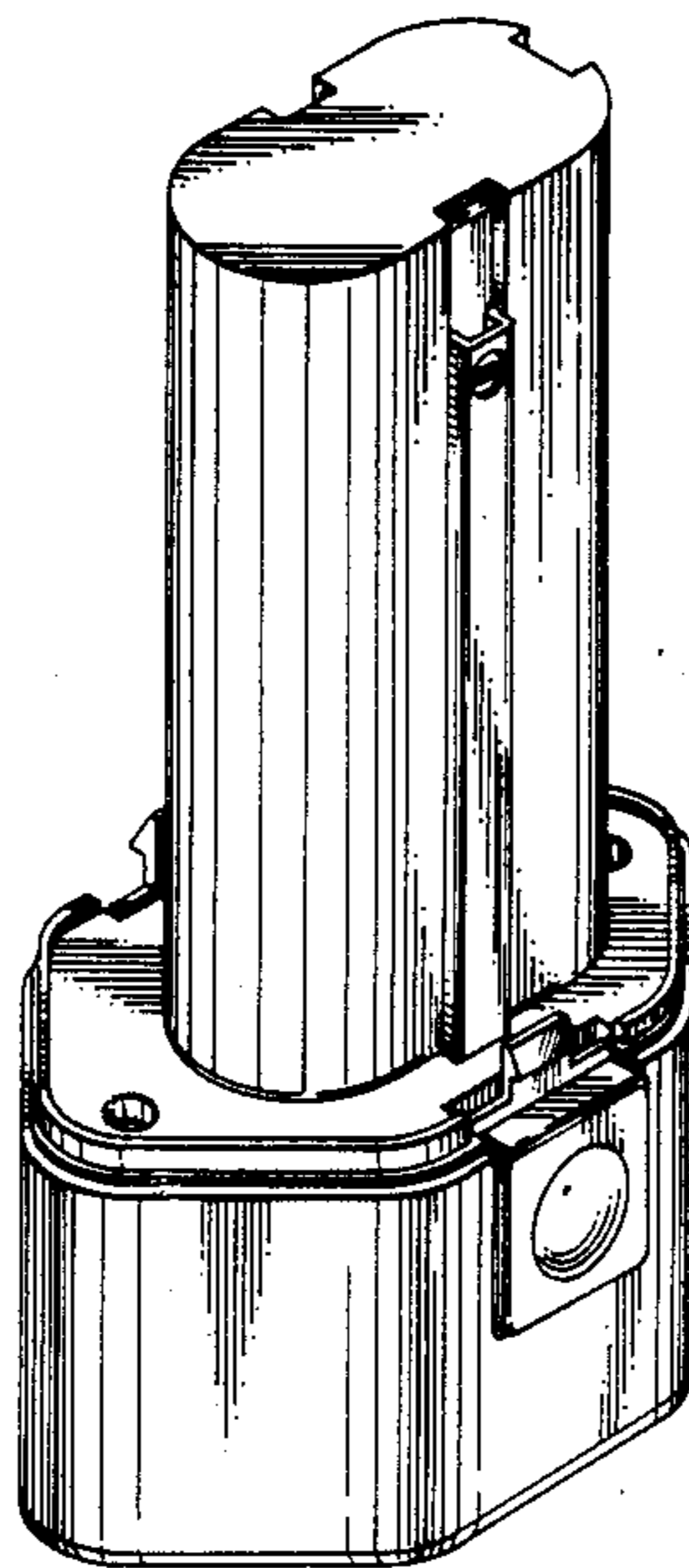
[57] **CLAIM**

The ornamental design for a battery pack, as shown and described.

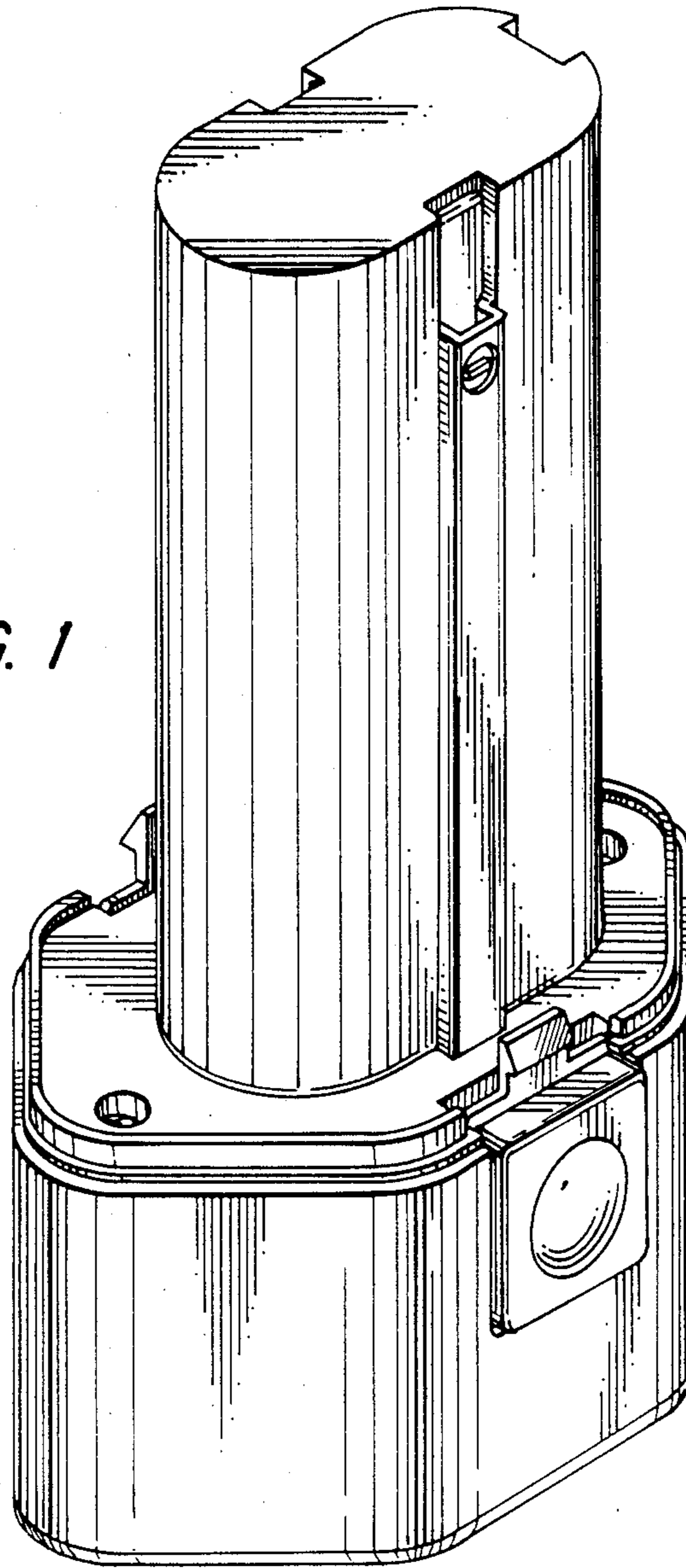
**DESCRIPTION**

FIG. 1 is a perspective view of a battery pack showing my new design;  
FIG. 2 is a left side elevational view thereof;  
FIG. 3 is a right side elevational view thereof;  
FIG. 4 is a back elevational view thereof;  
FIG. 5 is a front elevational view thereof;  
FIG. 6 is a top plan view thereof;  
FIG. 7 is a bottom plan view thereof.

[56] **References Cited**  
**U.S. PATENT DOCUMENTS**  
D. 265,985 8/1982 House, II ..... D13/4



*FIG. 1*



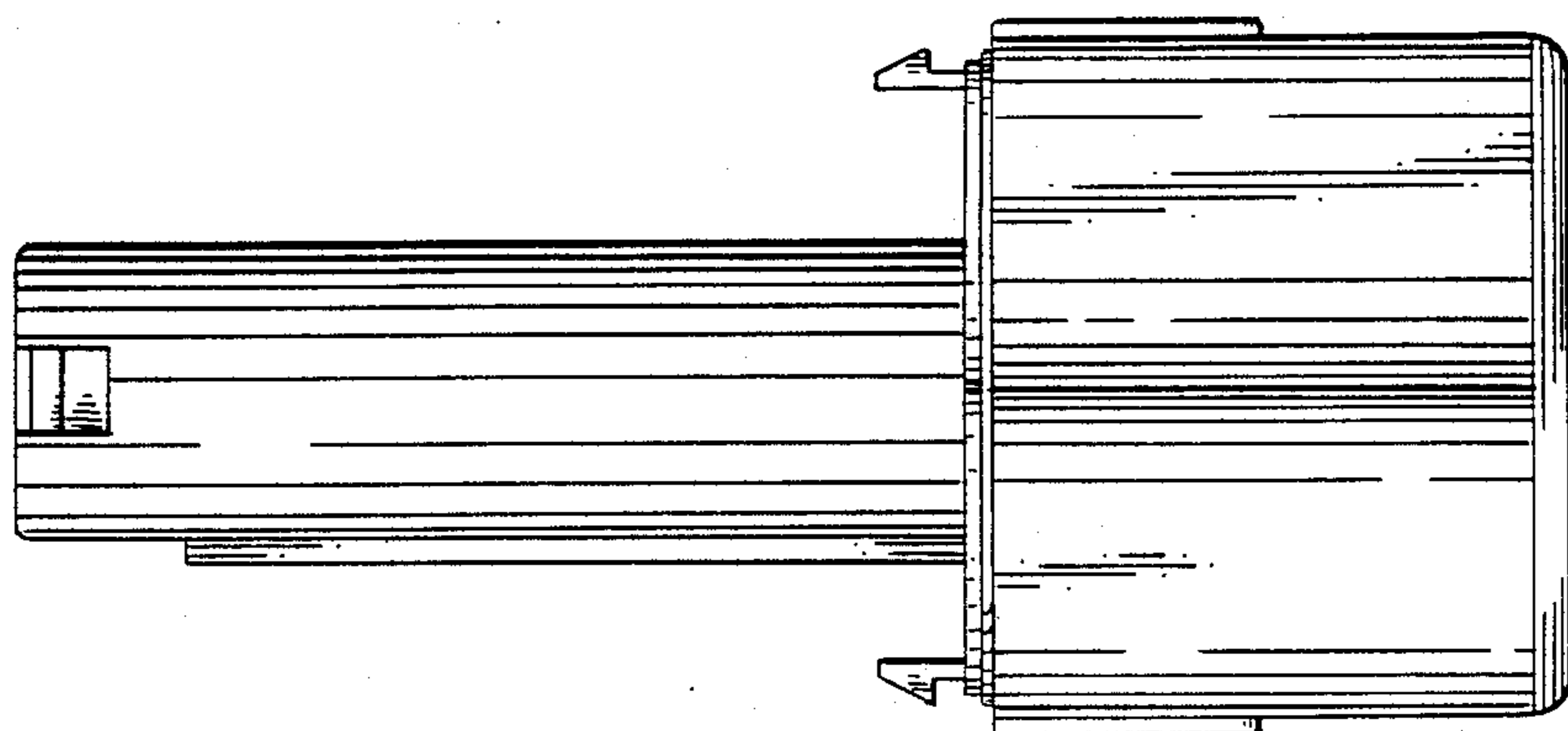


FIG. 4

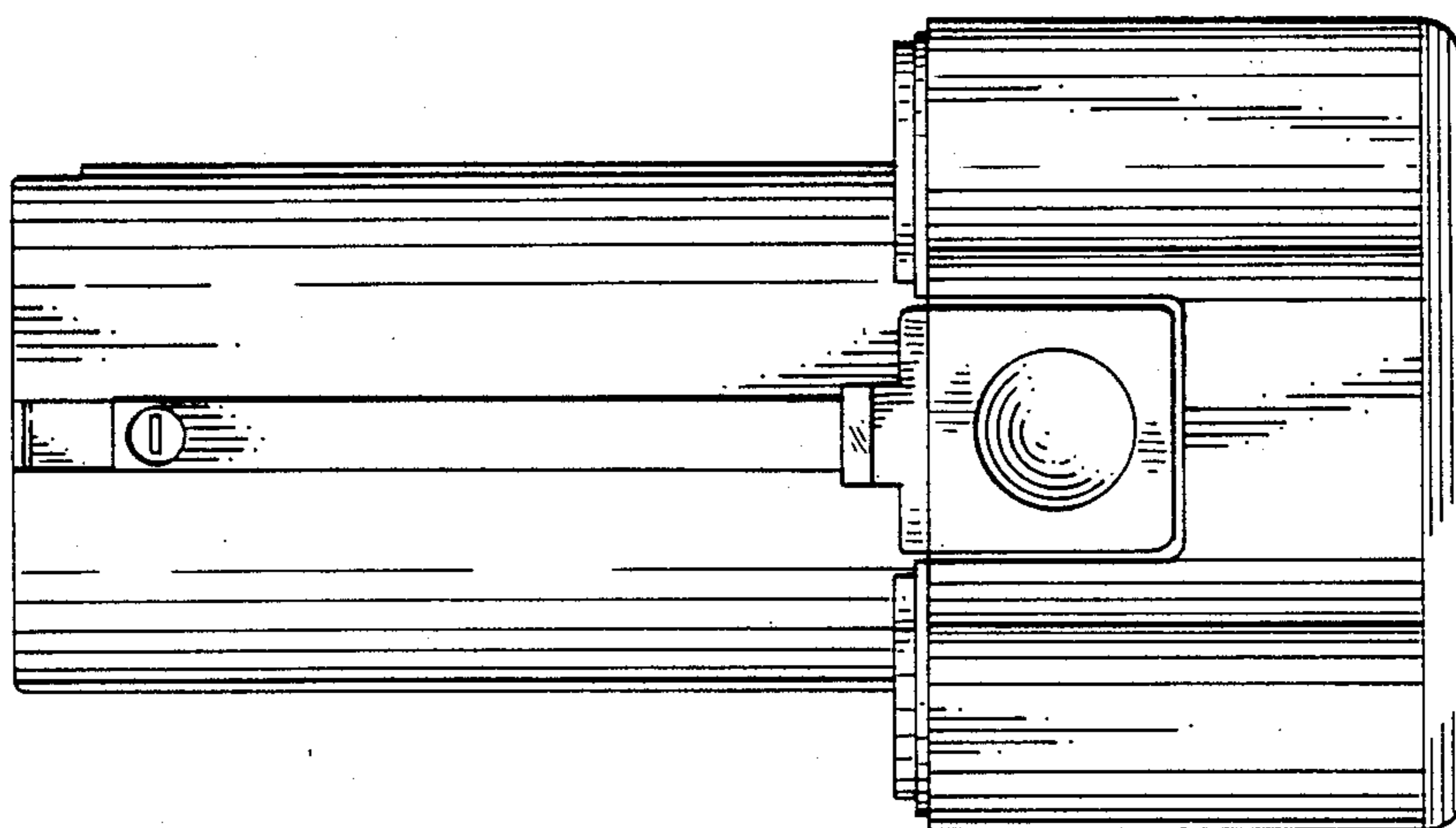


FIG. 3

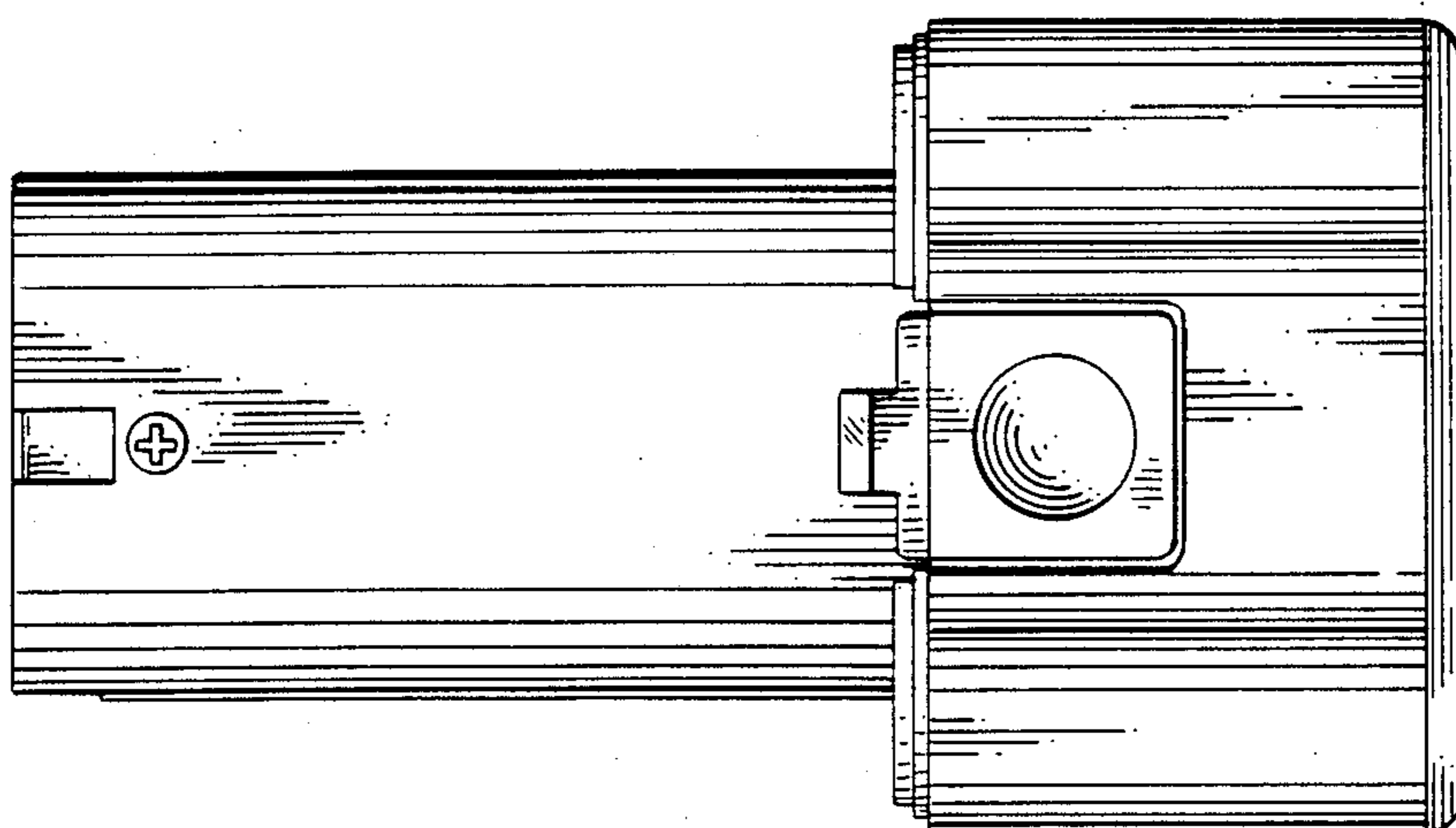


FIG. 2

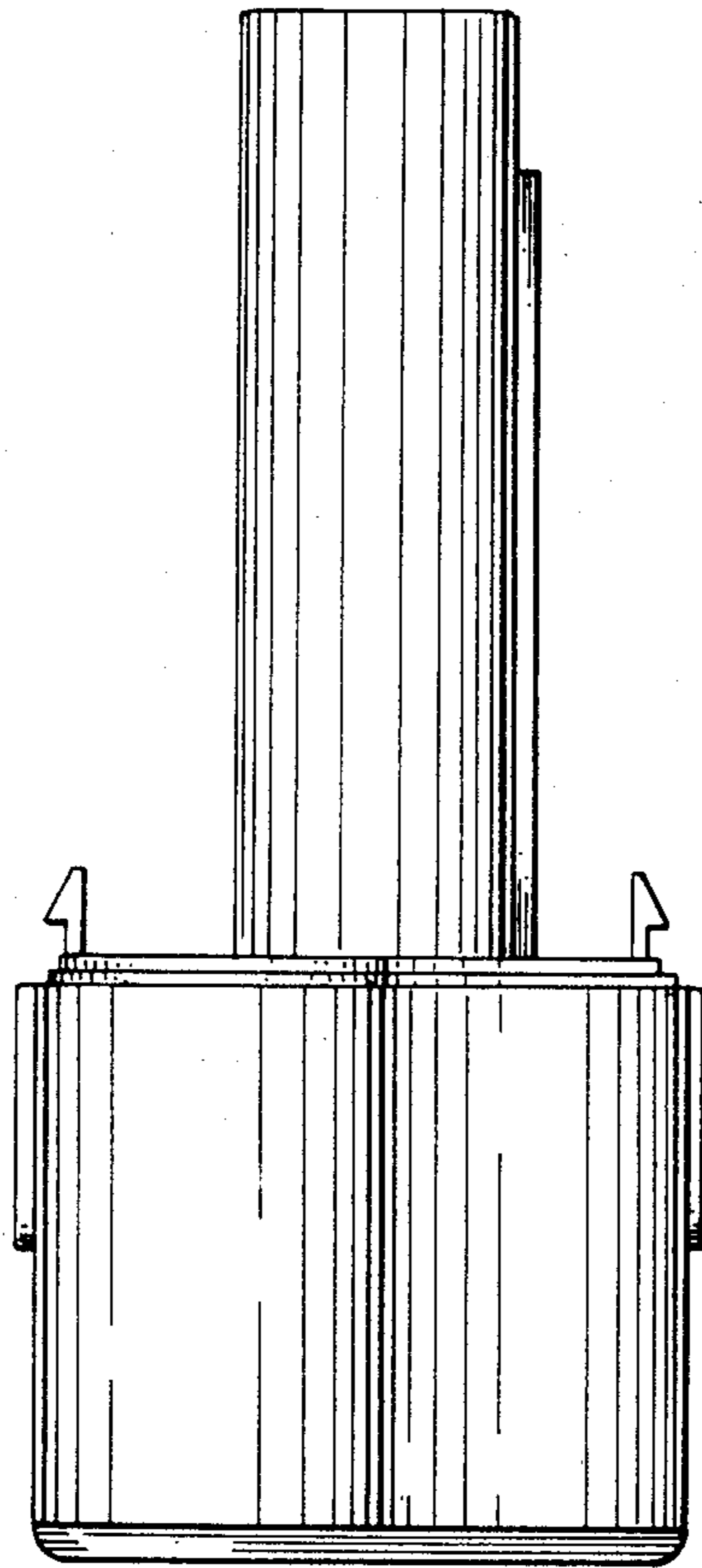


FIG. 5

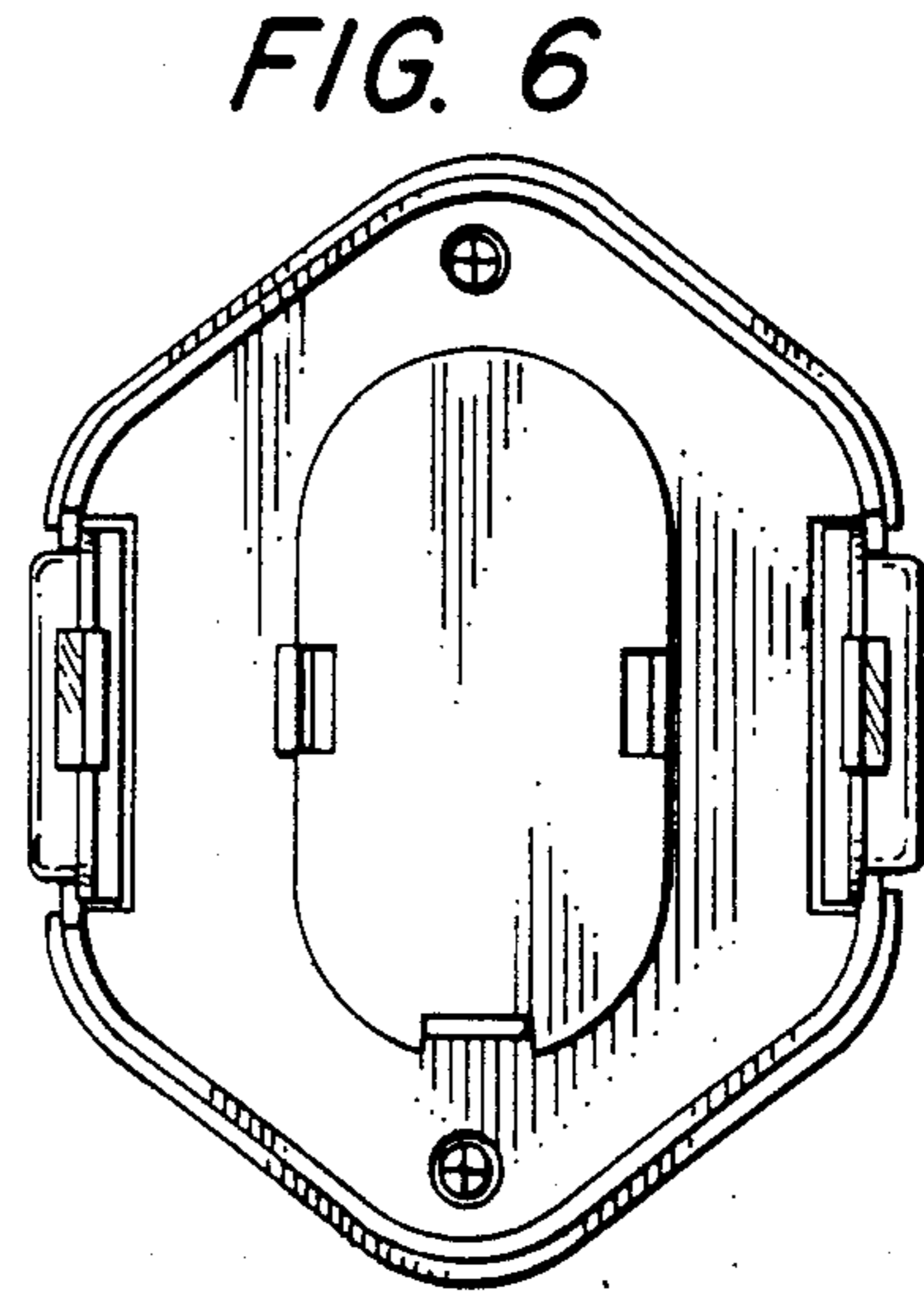


FIG. 6

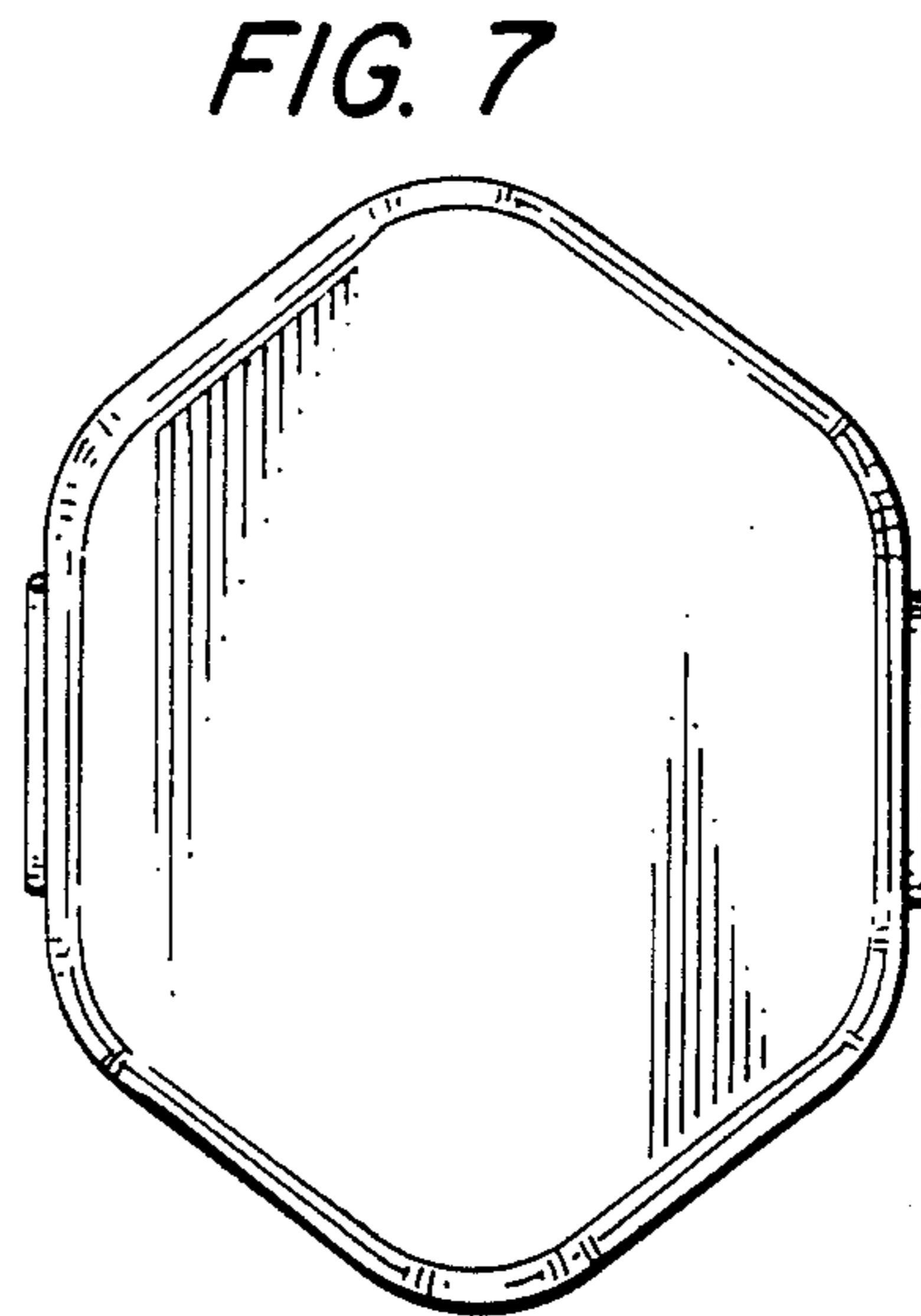


FIG. 7