

United States Patent [19]

McLeod

[11] Patent Number: Des. 313,390

[45] Date of Patent: ** Jan. 1, 1991

[54] BOAT DECK

[76] Inventor: Michael E. McLeod, 19855 Parke La., Grosse Ile, Detroit, Mich. 48138

[**] Term: 14 Years

[21] Appl. No.: 284,487

[22] Filed: Dec. 15, 1988

[52] U.S. Cl. D12/318

[58] Field of Search D12/300, 314, 312, 315, D12/318; 114/56, 343, 364

[56] References Cited

U.S. PATENT DOCUMENTS

D. 227,708	7/1973	Baker	D12/314
D. 244,769	6/1977	Nescher	D12/314
D. 283,416	4/1986	Carlson	D12/312

OTHER PUBLICATIONS

Trailer Boats, Jul. 1983, pp. 30-31.
Boating, Jul. 1983, p. 68, Wellcraft's Scarab III.

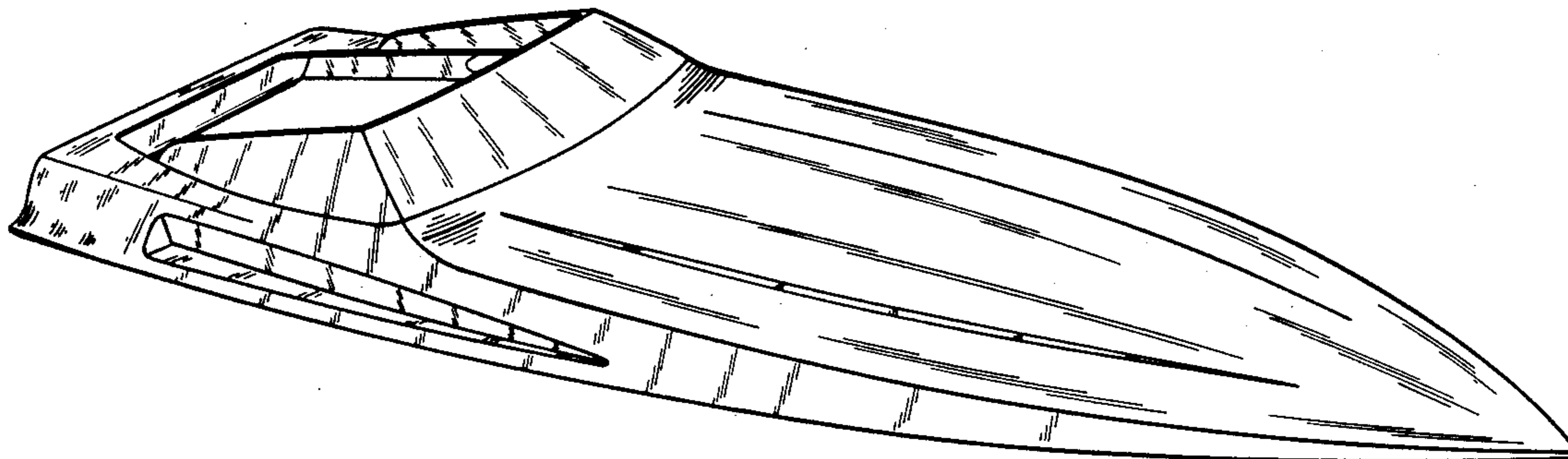
Primary Examiner—Kay H. Chin
Attorney, Agent, or Firm—John C. Purdue; David C. Purdue

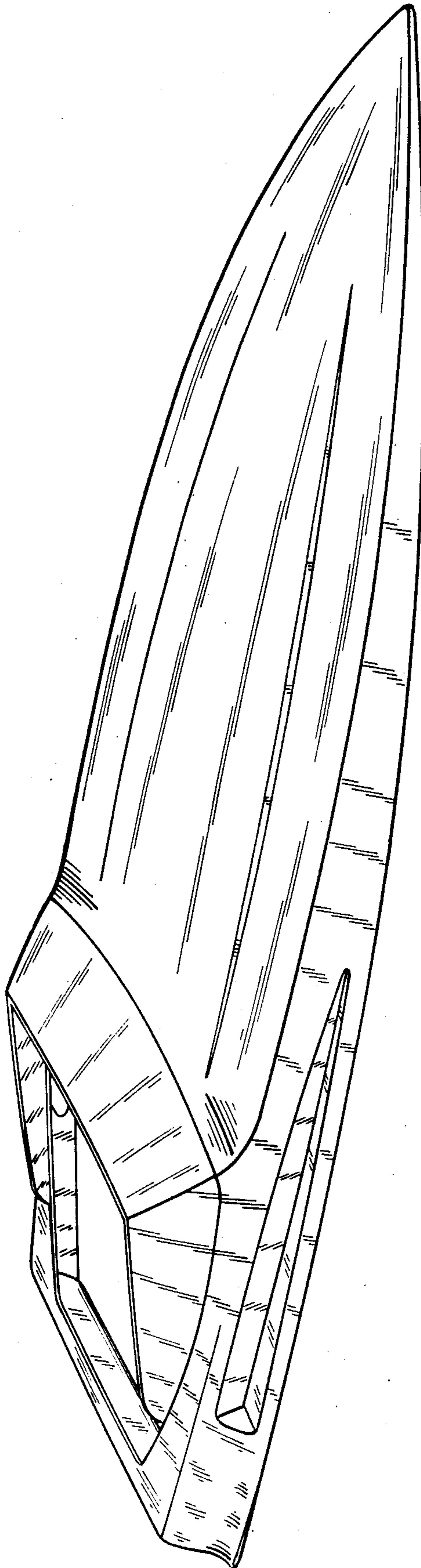
[57] CLAIM

The ornamental design for a boat deck, as shown and described.

DESCRIPTION

FIG. 1 is a top, front and right side perspective view of a boat deck showing my new design; FIG. 2 is a right side perspective view thereof, the left side view being a mirror image of that shown; and FIG. 3 is a rear perspective view thereof.





—FIG. 1

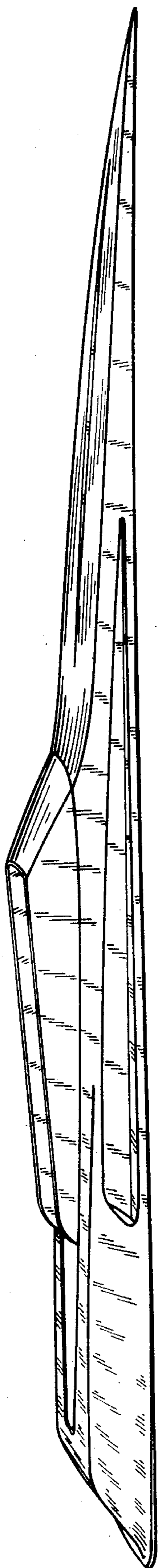


FIG. 2

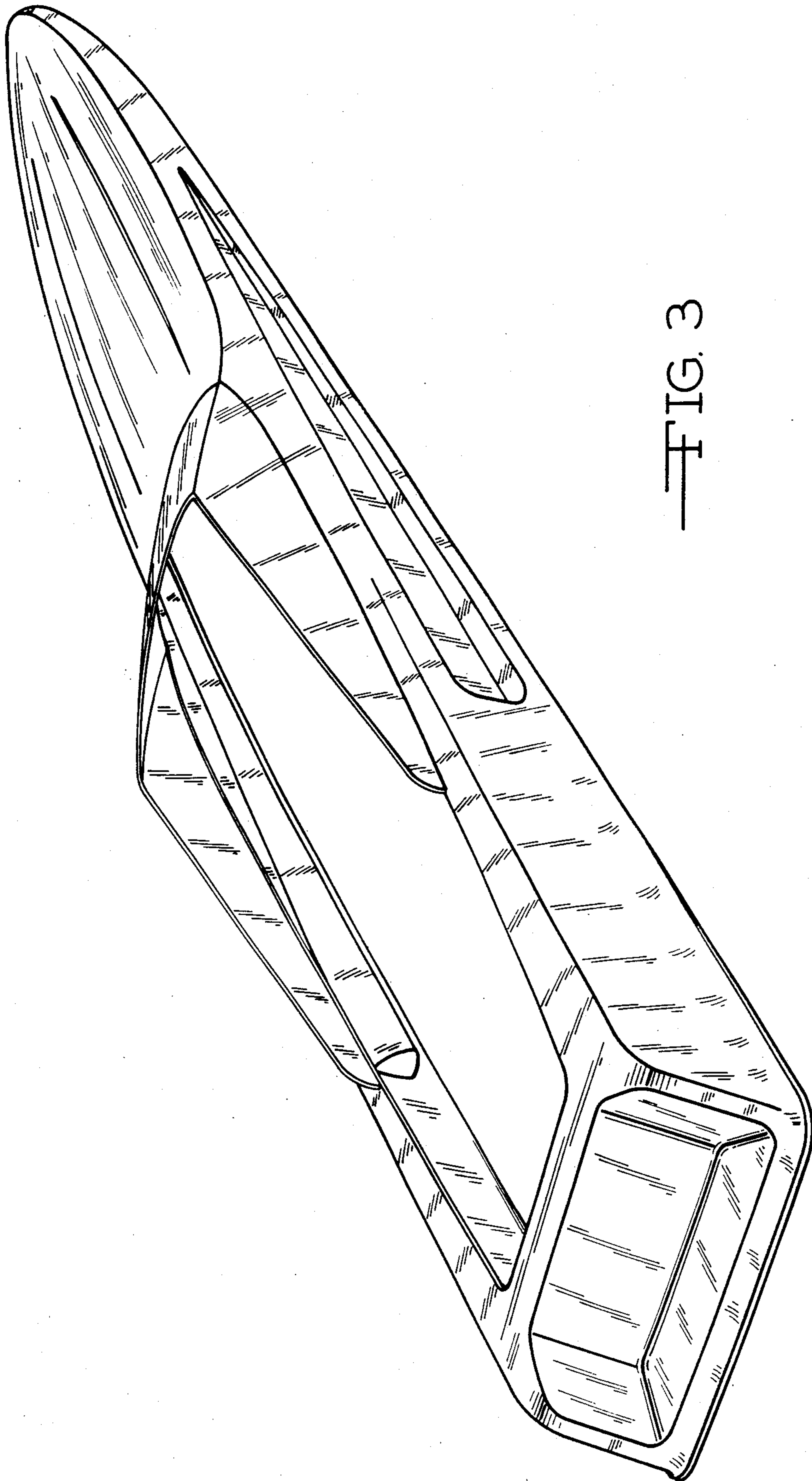


FIG. 3