

[54] BUMPER STEP

[76] Inventor: Jerry D. Dale, 3701 Piute Trail, Austin, Tex. 78739

[**] Term: 14 Years

[21] Appl. No.: 237,454

[22] Filed: Aug. 29, 1988

[52] U.S. Cl. D12/203

[58] Field of Search D12/203; D25/62, 68, D25/69; 280/163, 164.2, 166; 182/53, 54, 55, 57, 59, 92, 127, 150, 228

[56] References Cited

U.S. PATENT DOCUMENTS

D. 296,321	6/1988	Hayes	D12/203
3,115,214	12/1963	Roberts	D25/69
4,620,609	11/1986	Elsten	280/163

Primary Examiner—James M. Gandy

Attorney, Agent, or Firm—Zarley, McKee, Thomte, Voorhees & Sease

[57] CLAIM

The ornamental design for a bumper step, as shown and described.

DESCRIPTION

FIG. 1 is a front perspective view of a bumper step showing my new design.

FIG. 2 is a front elevational view thereof.

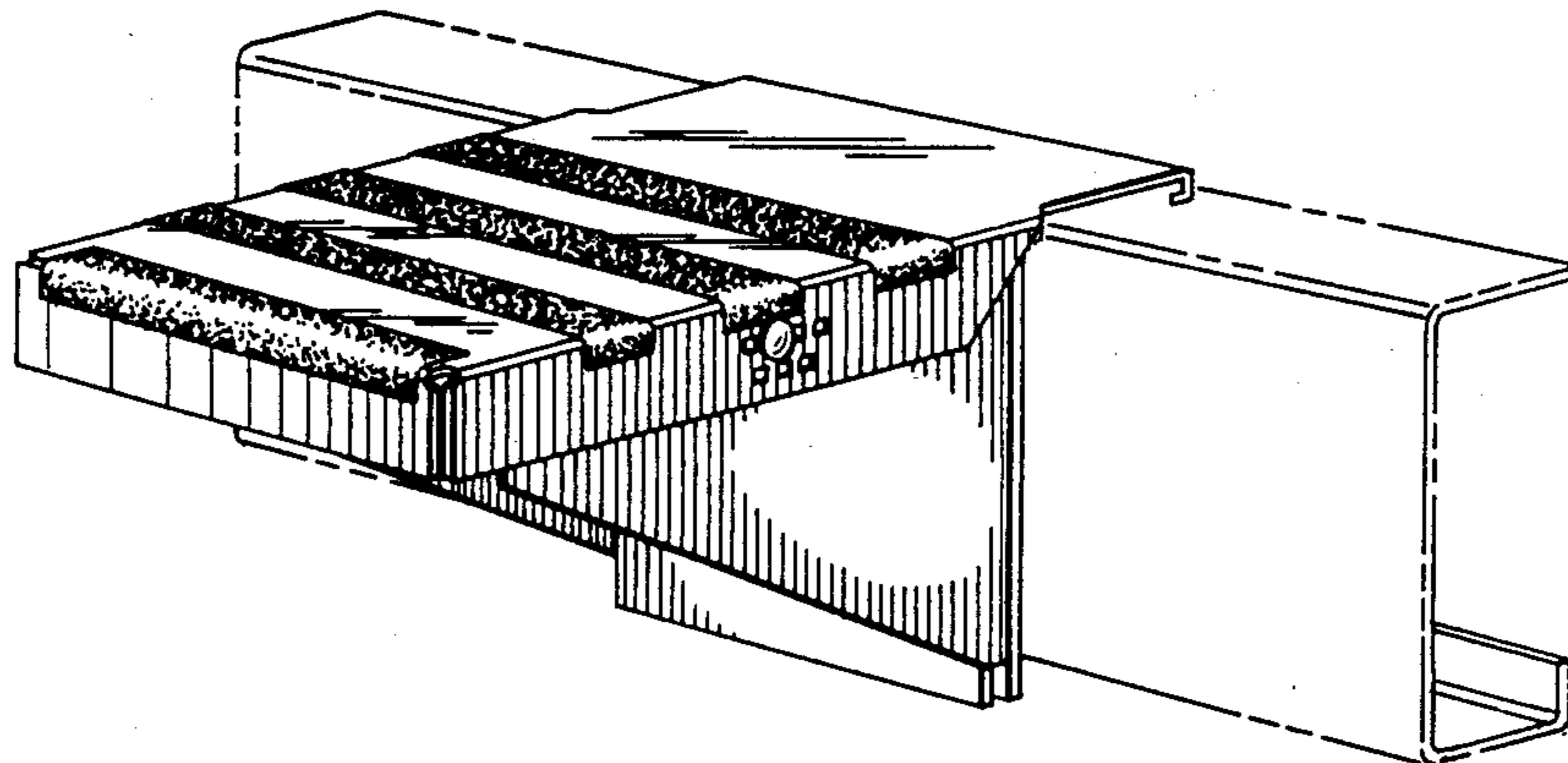
FIG. 3 is a side elevational view thereof taken from the right of FIG. 1 and the opposite side is a mirror image thereof.

FIG. 4 is a rear elevational view thereof.

FIG. 5 is a top plan view thereof.

FIG. 6 is a bottom plan view thereof.

The broken line showing of a bumper in FIG. 1 is for illustrative purposes only and forms no part of the claimed design.



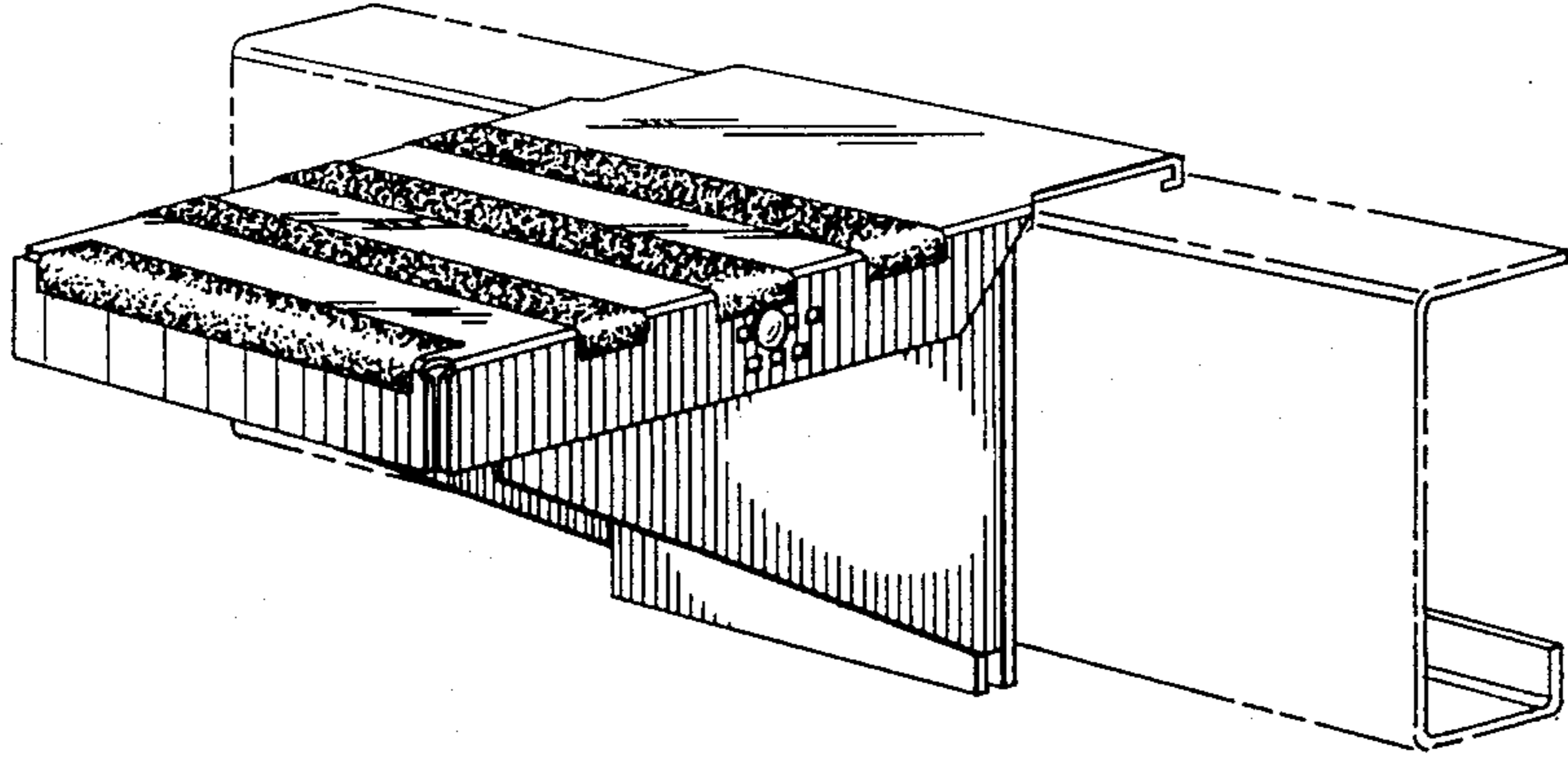


FIG. 1

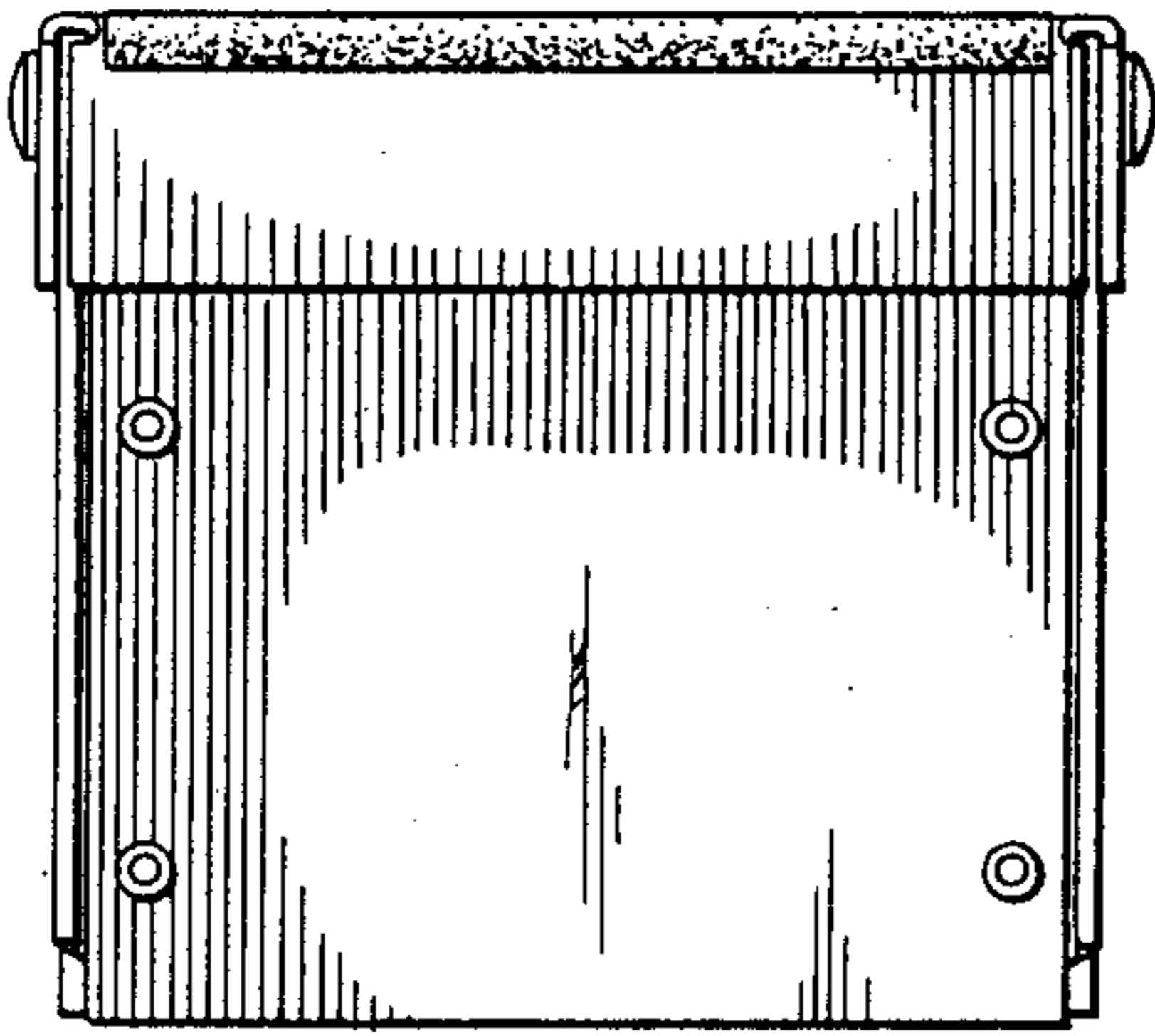


FIG. 2

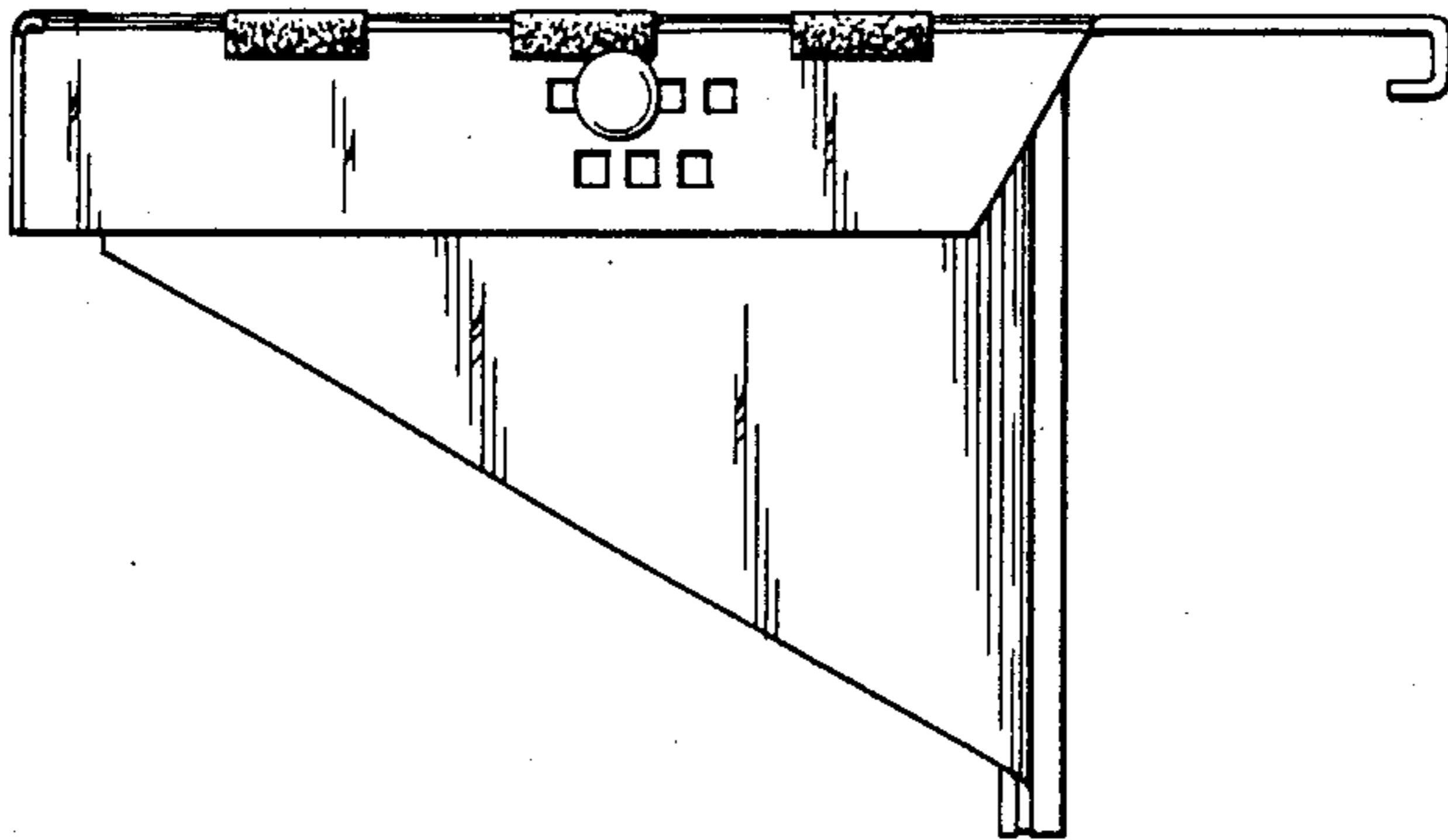


FIG. 3

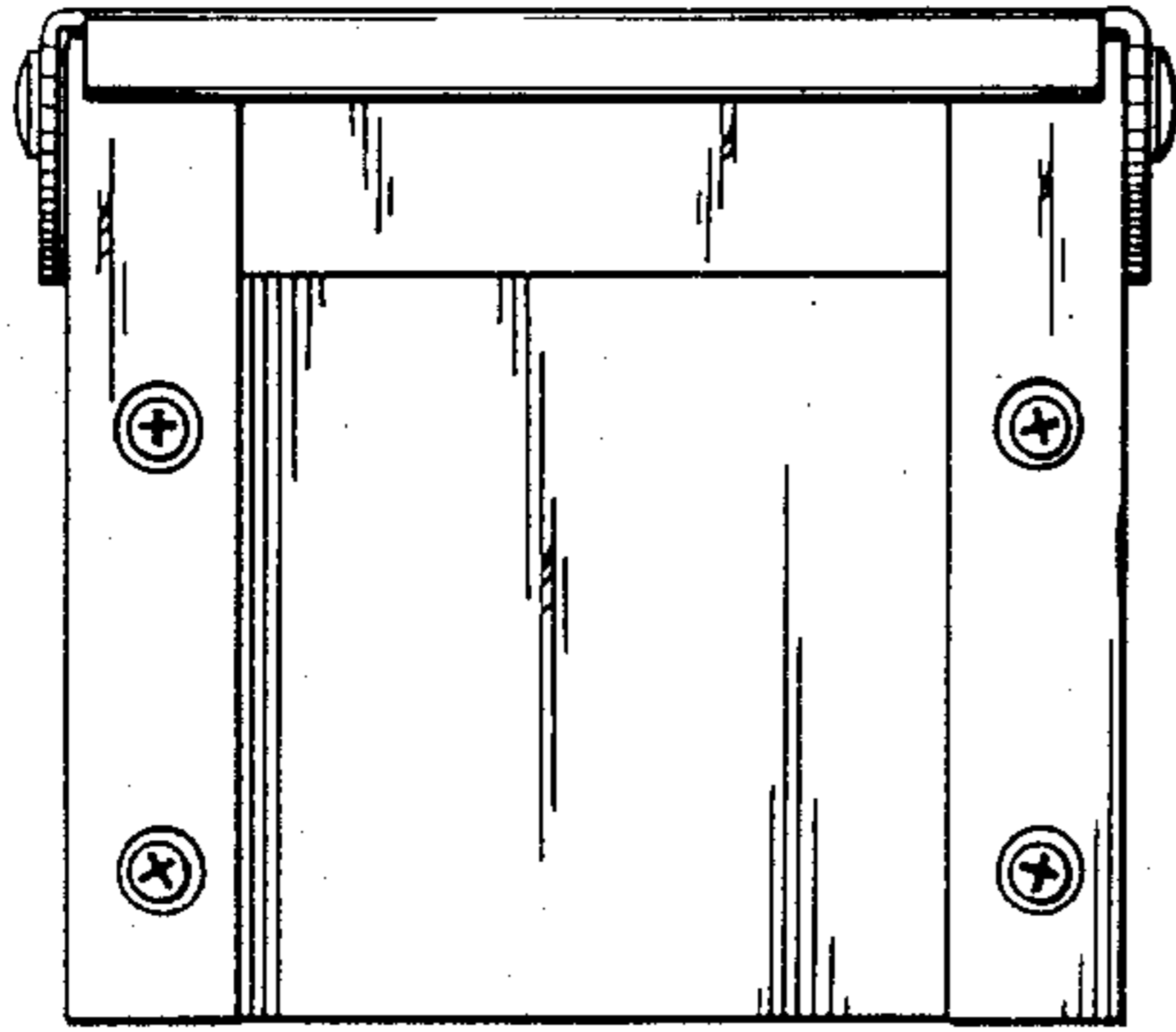


FIG. 4

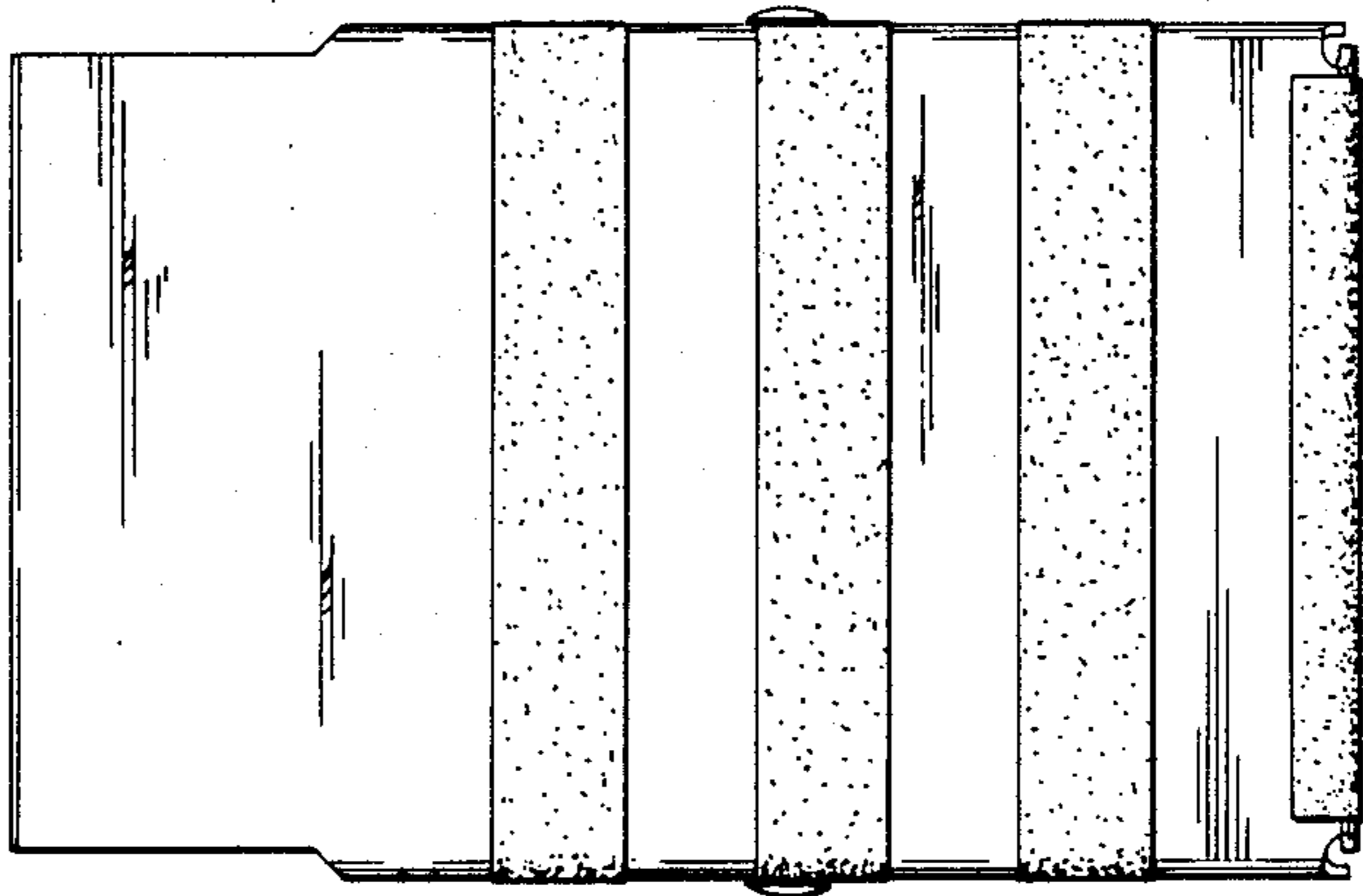


FIG. 5

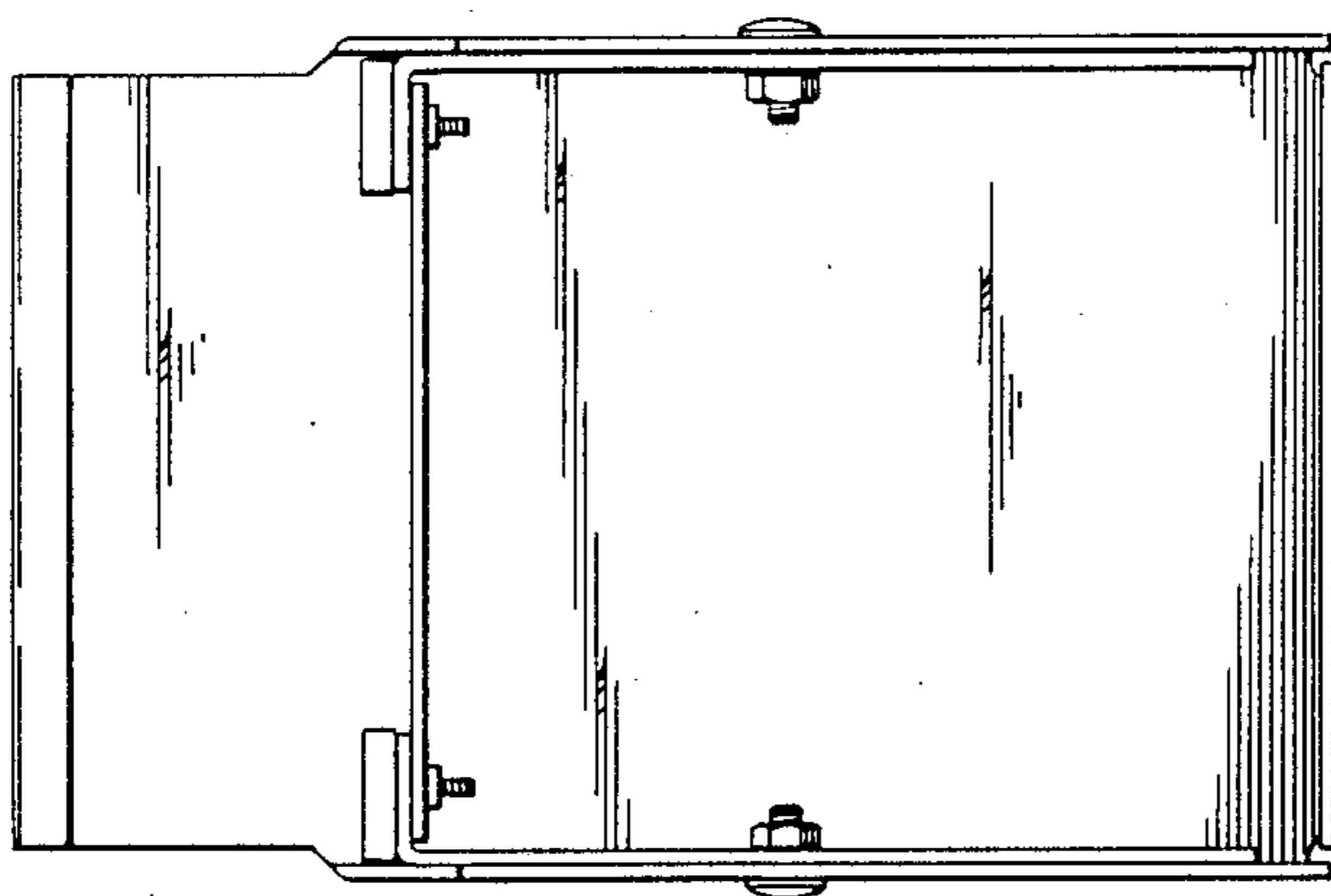


FIG. 6