

[54] ADJUSTABLE WHEEL CHAIR

[75] Inventor: Anders G. Ahlbertz, Gothenburg, Sweden

[73] Assignee: Alvema AB, Solna, Sweden

[\*\*] Term: 14 Years

[21] Appl. No.: 268,521

[22] Filed: Nov. 8, 1988

[30] Foreign Application Priority Data

May 24, 1988 [SE] Sweden ..... 88-1271

[52] U.S. Cl. .... D12/131

[58] Field of Search ..... D12/131, 128; 280/250.1, 647; 290/DIG. 4

[56] References Cited

U.S. PATENT DOCUMENTS

D. 300,733 4/1989 Wagner ..... D12/131  
4,268,054 5/1981 Twitchell et al. .... 297/DIG. 4

FOREIGN PATENT DOCUMENTS

3809745 10/1989 Fed. Rep. of Germany ... 280/250.1  
1525225 9/1978 United Kingdom ..... 280/250.1

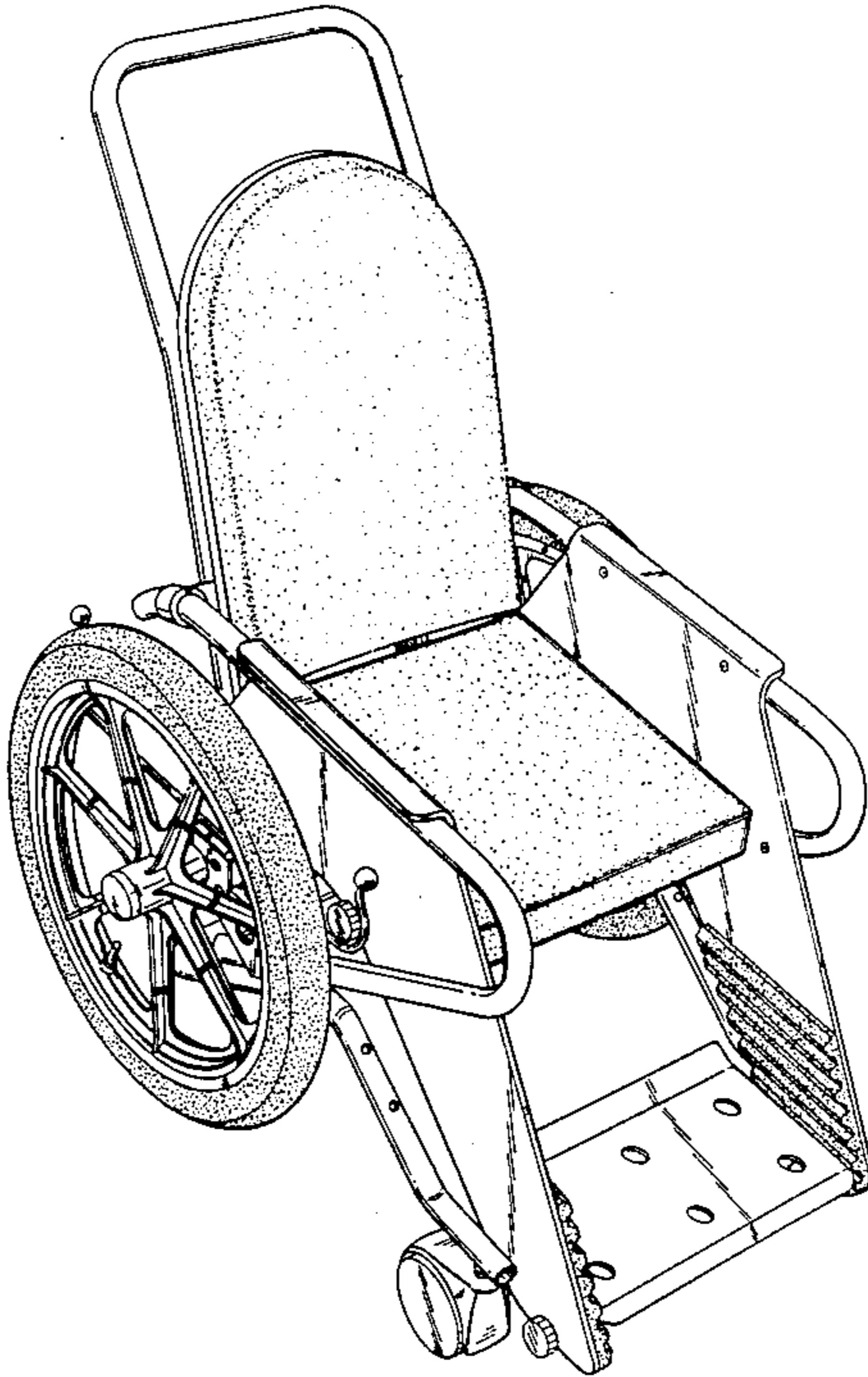
Primary Examiner—Kay H. Chin  
Attorney, Agent, or Firm—Young & Thompson

[57] CLAIM

The ornamental design for an adjustable wheel chair, as shown and described.

DESCRIPTION

FIG. 1 is a side perspective view of an adjustable wheel chair, showing my new design;  
FIG. 2 is a front perspective view thereof;  
FIG. 3 is a rear and bottom perspective view thereof;  
FIG. 4 is a side perspective view thereof with the support wheel frame mounted to the rear;  
FIG. 5 is a front and side perspective view of FIG. 4; and  
FIG. 6 is a rear and bottom perspective view of FIG. 4. The sides opposite that shown in FIGS. 1 and 4 are identical thereto.



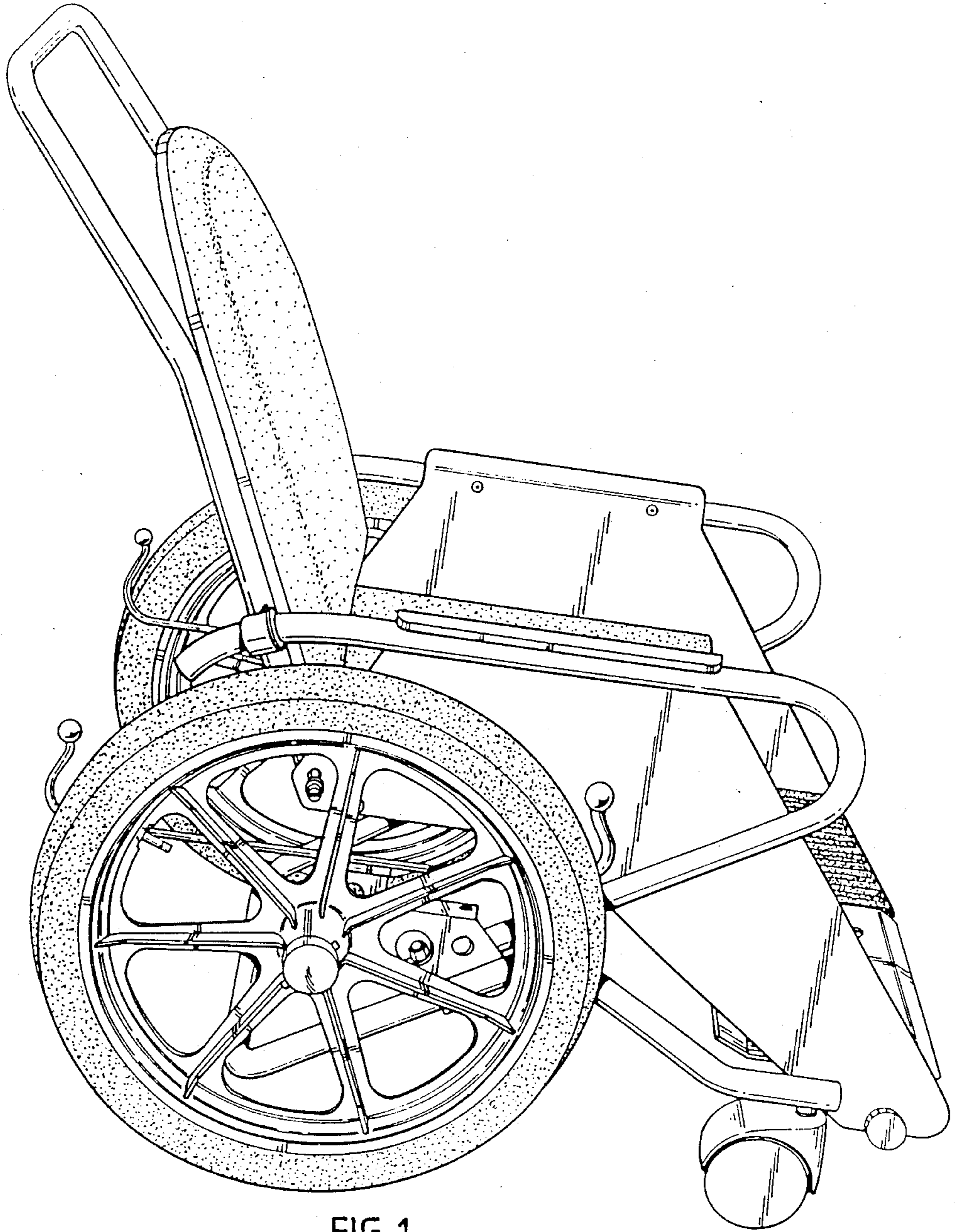


FIG. 1

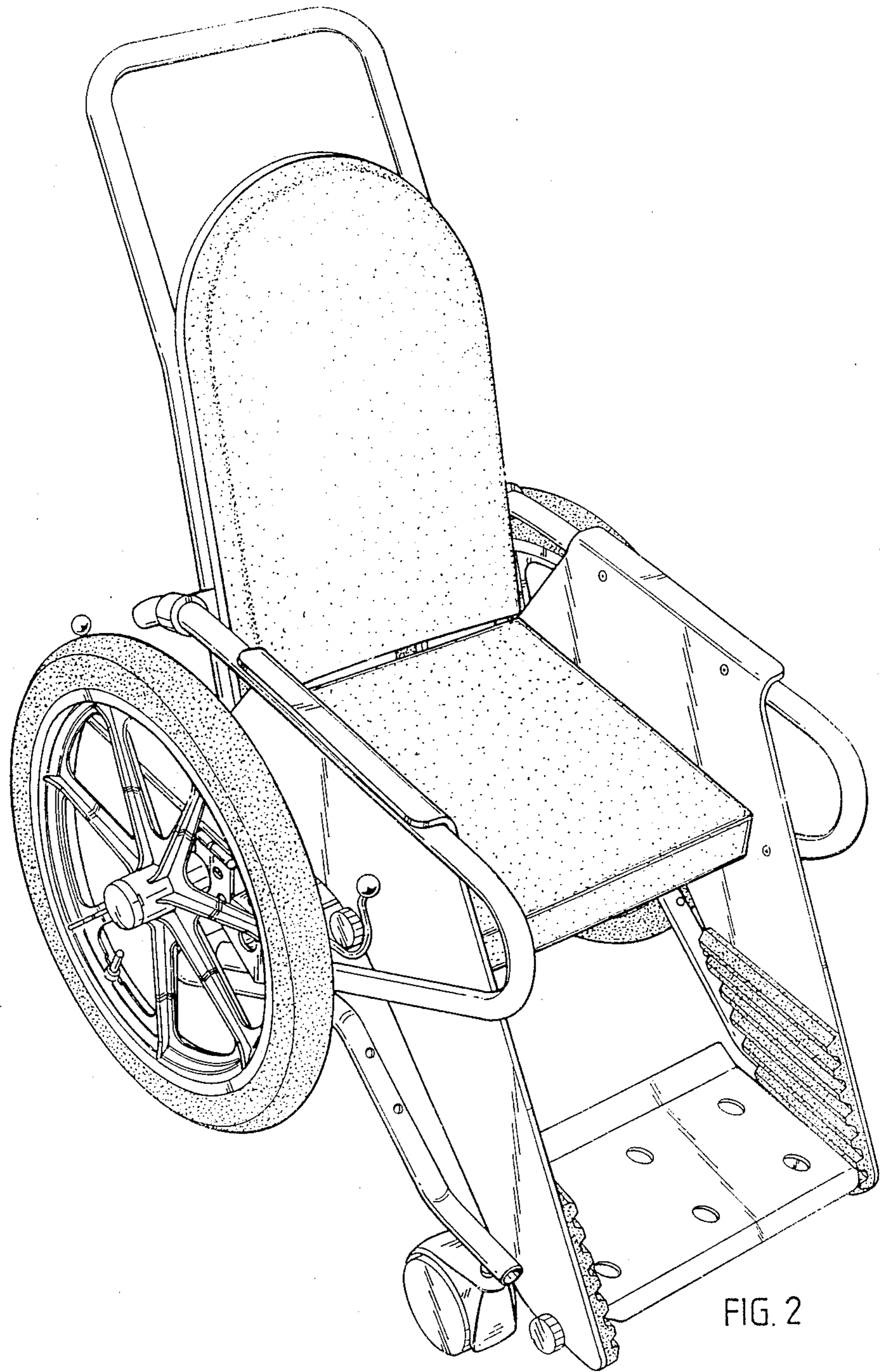


FIG. 2

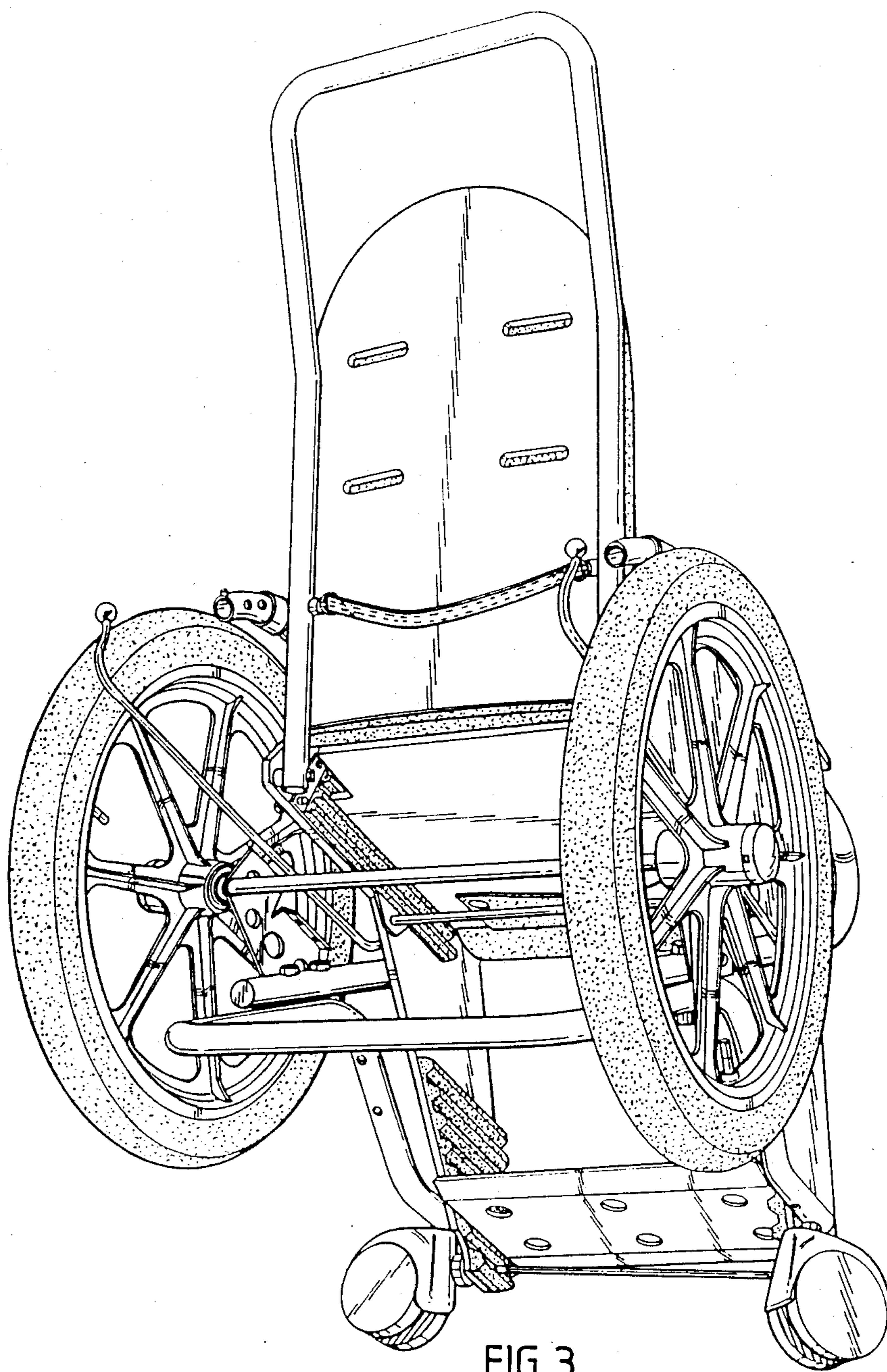


FIG. 3

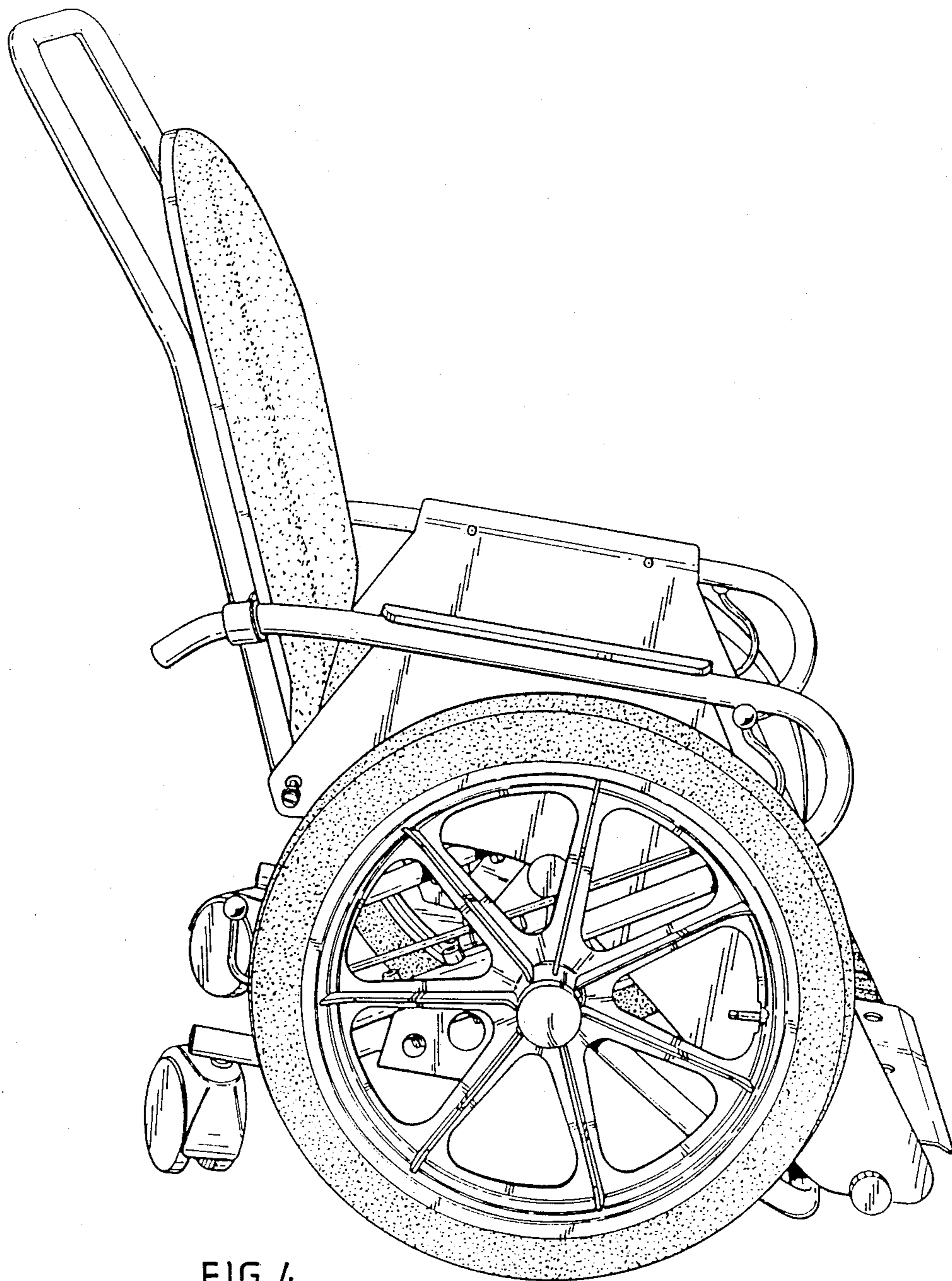
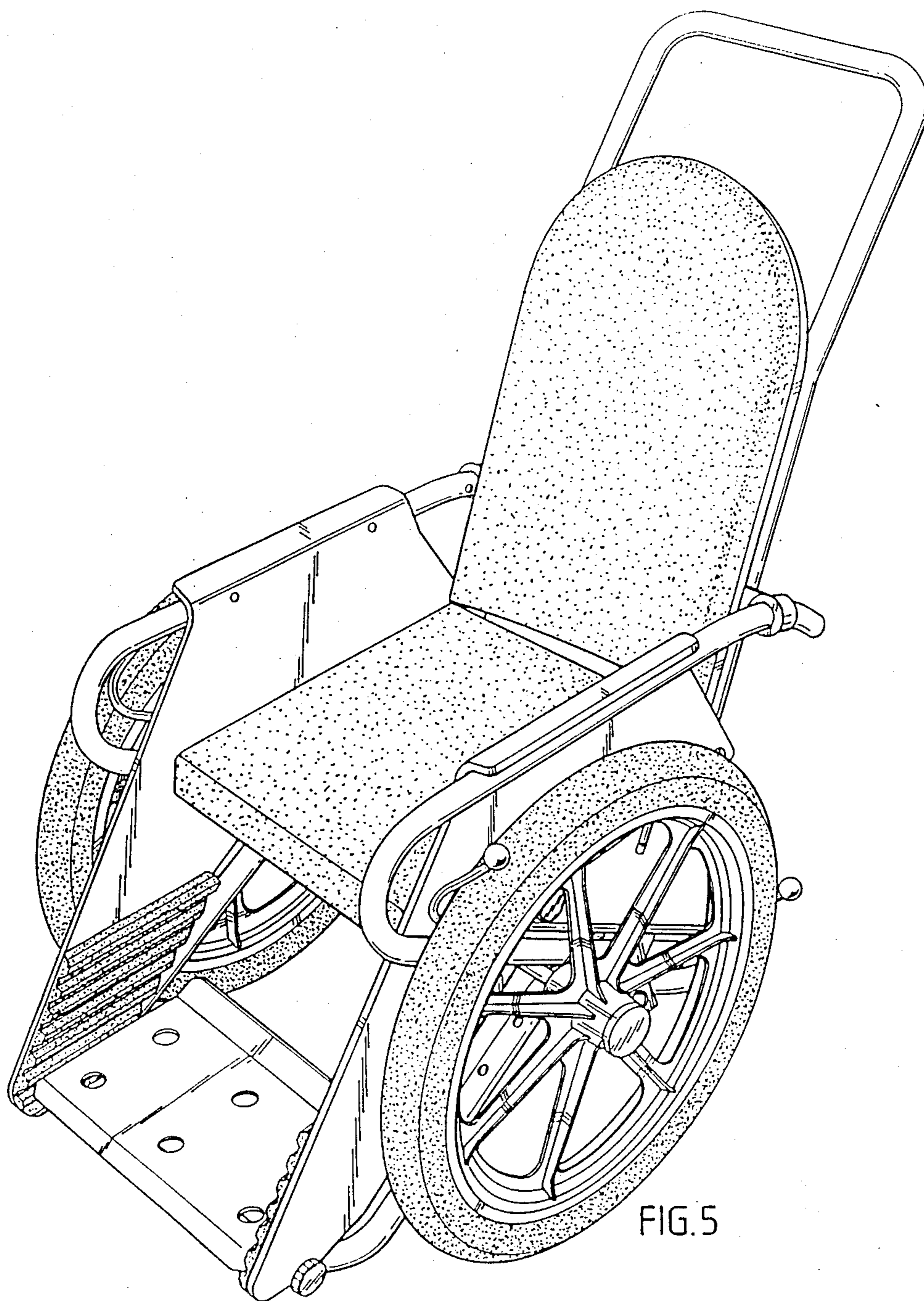


FIG. 4



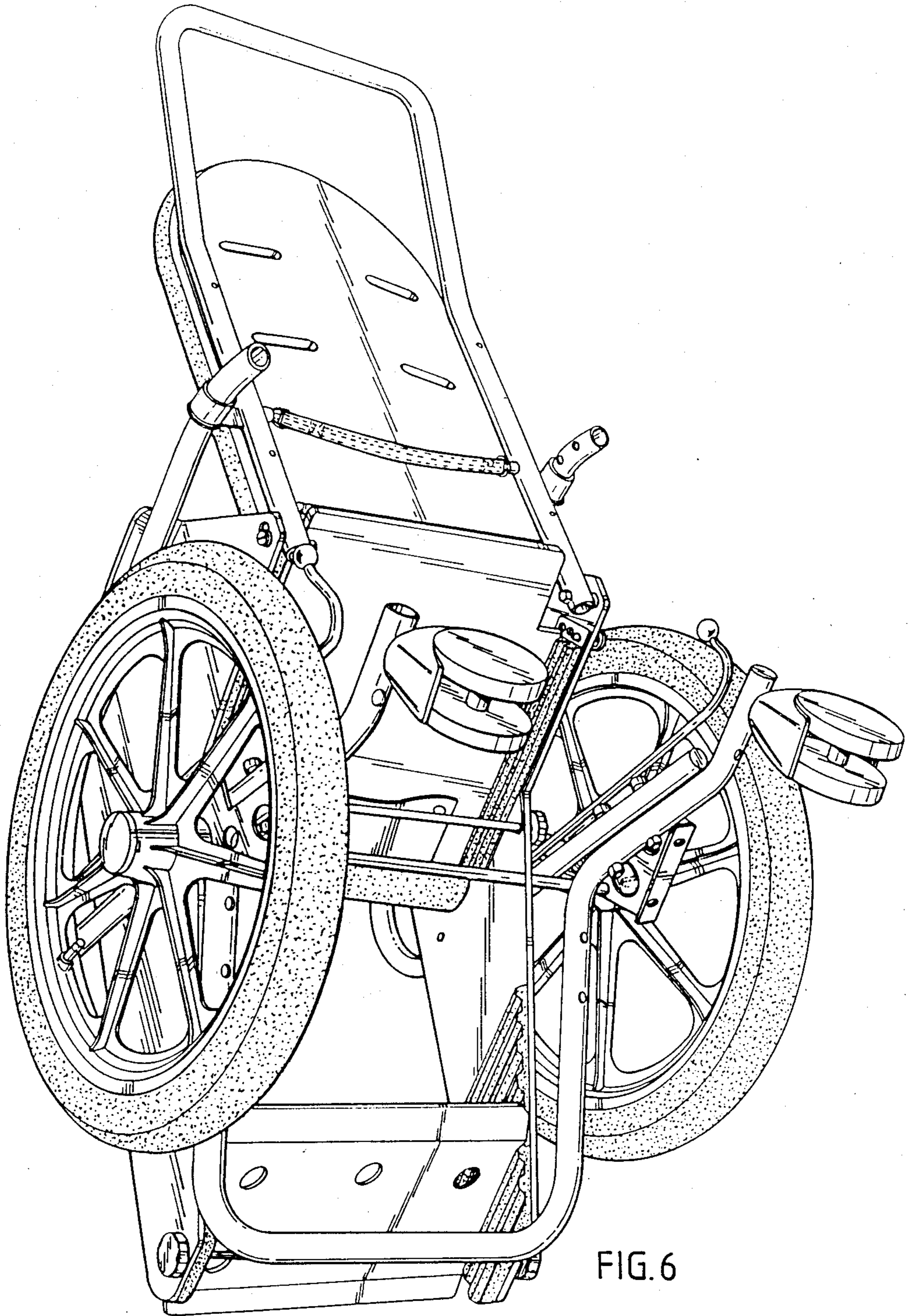


FIG. 6