

United States Patent [19]

Machida et al.

[11] Patent Number: **Des. 313,379**

[45] Date of Patent: **** Jan. 1, 1991**

[54] **TRUCK**

[75] Inventors: **Hiroshi Machida; Hiromu Wada; Yukio Hirano**, all of Fujisawa, Japan

[73] Assignee: **Isuzu Motors Limited**, Japan

[**] Term: **14 Years**

[21] Appl. No.: **30,110**

[22] Filed: **Mar. 26, 1987**

[30] **Foreign Application Priority Data**

Oct. 2, 1986 [JP] Japan 61-38818

[52] U.S. Cl. **D12/98**

[58] Field of Search D12/98; 296/183

[56] **References Cited**

U.S. PATENT DOCUMENTS

D. 301,436 6/1989 Mizuno et al. D12/92

OTHER PUBLICATIONS

Motor Trend, 3/86, Nissan Advertisement between pp. 68 & 69, Nissan Standard Regular Bed & King Cab Pickup Trucks.

Motor Trend, 3/86, p. 29, Ford Pickup Truck, top of page.

Motor Trend, 11/86, p. 56, Mazda Pickup Truck. 1974 Dodge Pickup Models Brochure, front cover, Dodge Pickup Truck.

Motor Trend, 9/86, Mitsubishi SPX 4WD Pickup Truck, bottom of page.

Primary Examiner—James M. Gandy
Attorney, Agent, or Firm—Bradford E. Kile

[57] **CLAIM**

The ornamental design for a truck, as shown and described.

DESCRIPTION

FIG. 1 is a top, front and right side perspective view of a truck showing our new design;

FIG. 2 is a top, rear and right side perspective view thereof;

FIG. 3 is a front elevation view thereof;

FIG. 4 is a rear elevation view thereof;

FIG. 5 is a right side elevation view thereof, the left side being substantially a mirror image of that shown;

FIG. 6 is a top plan view thereof;

FIG. 7 is a bottom plan view thereof.

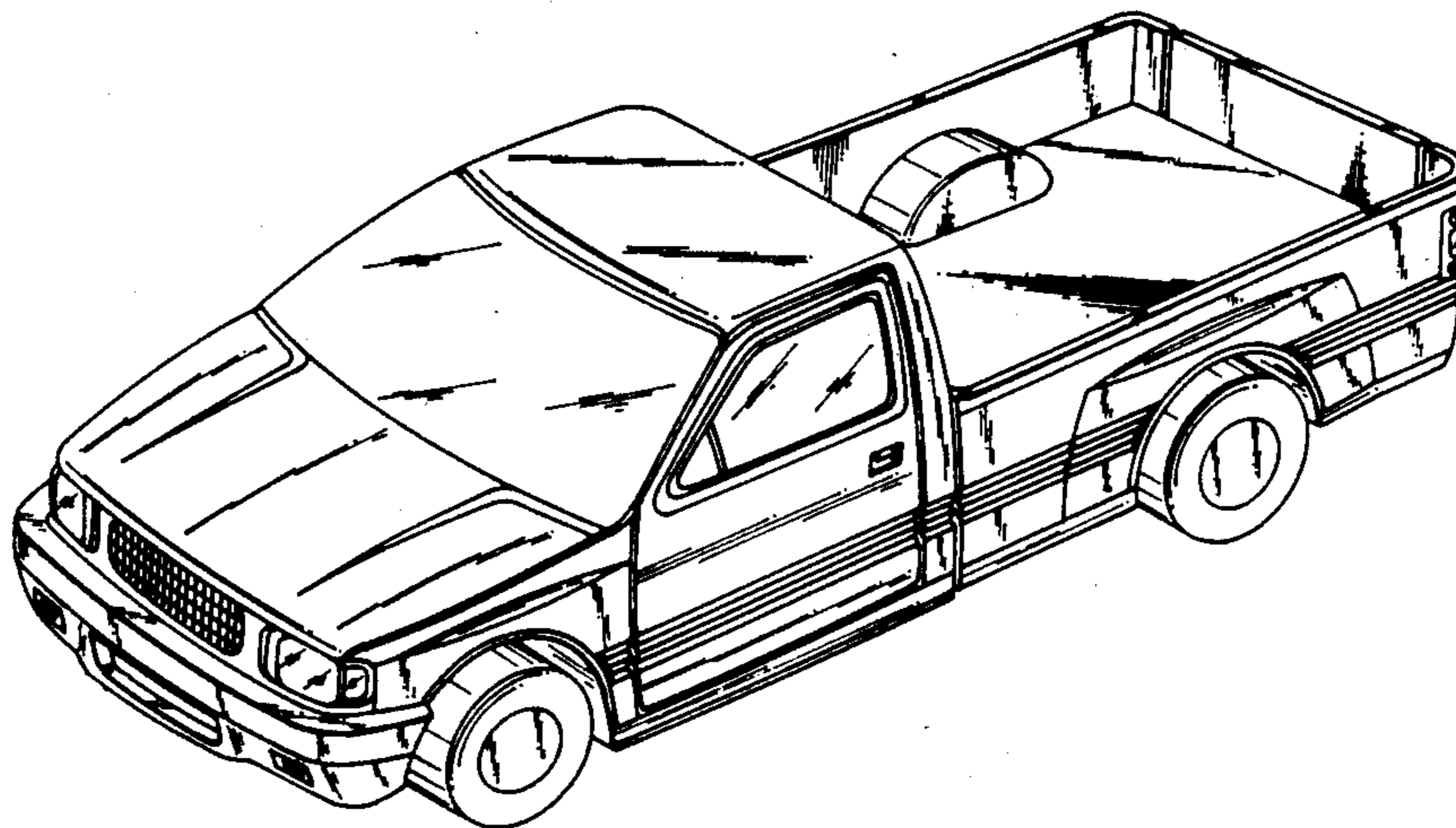


FIG. 1

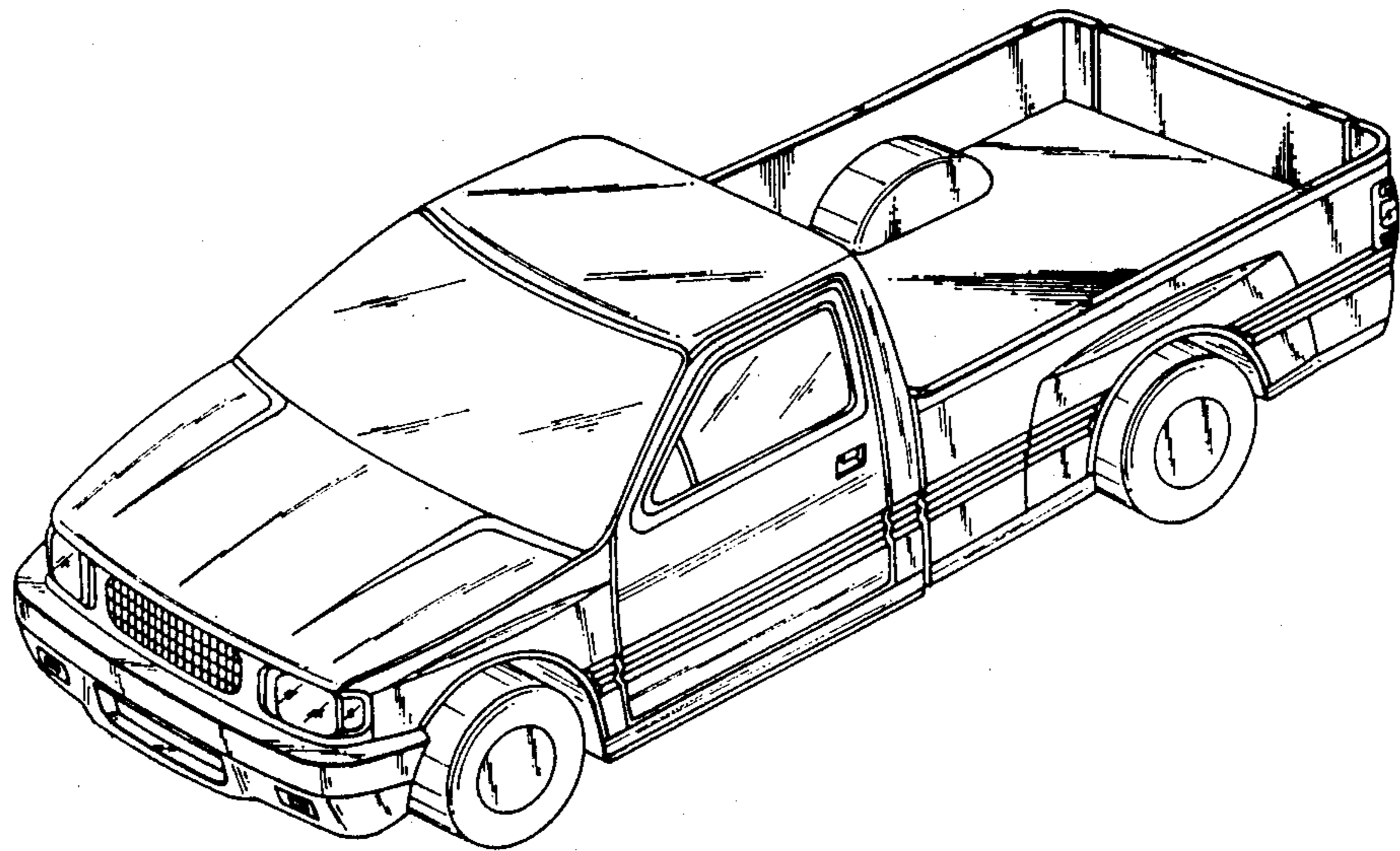


FIG. 2

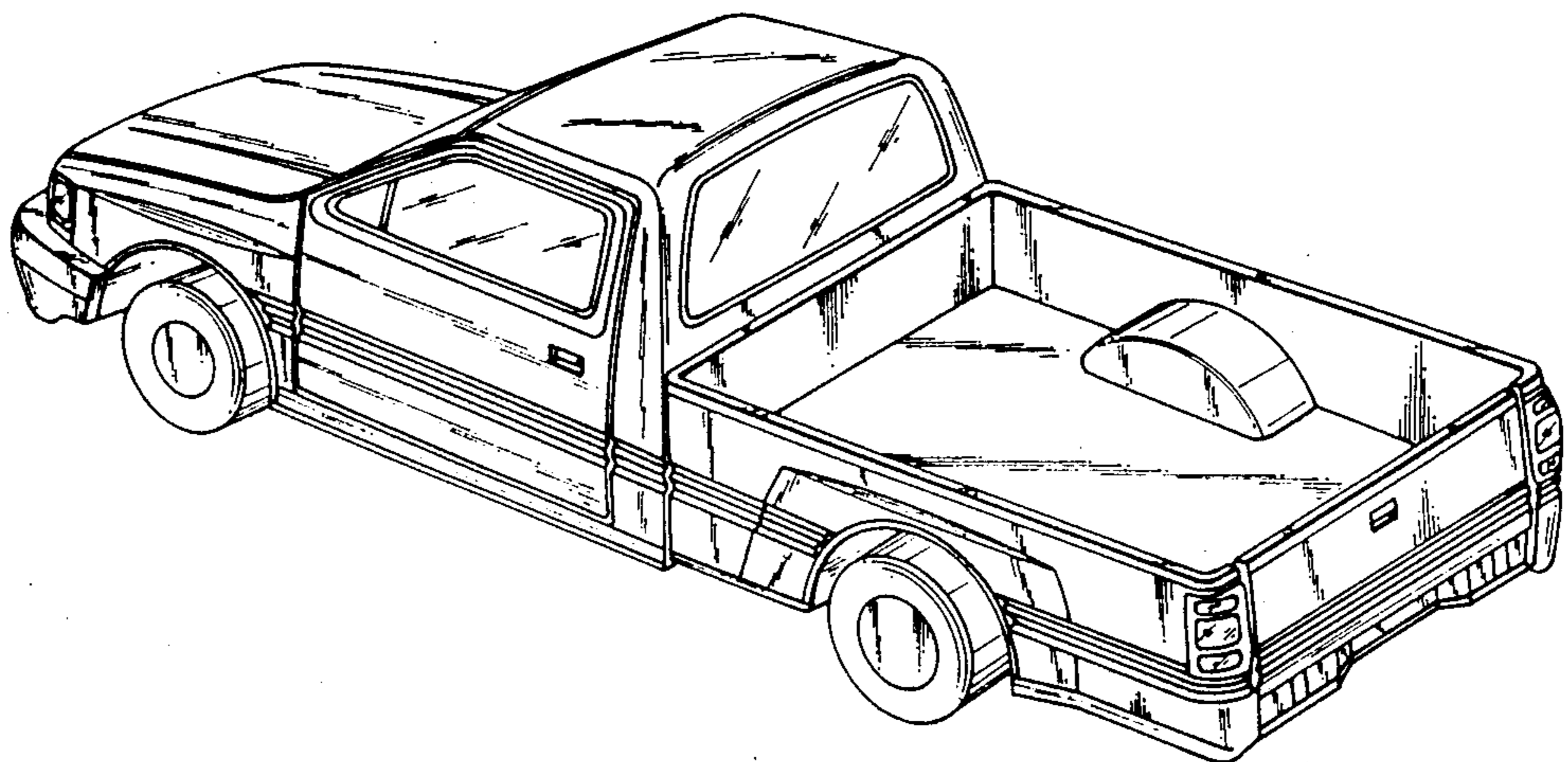


FIG. 3

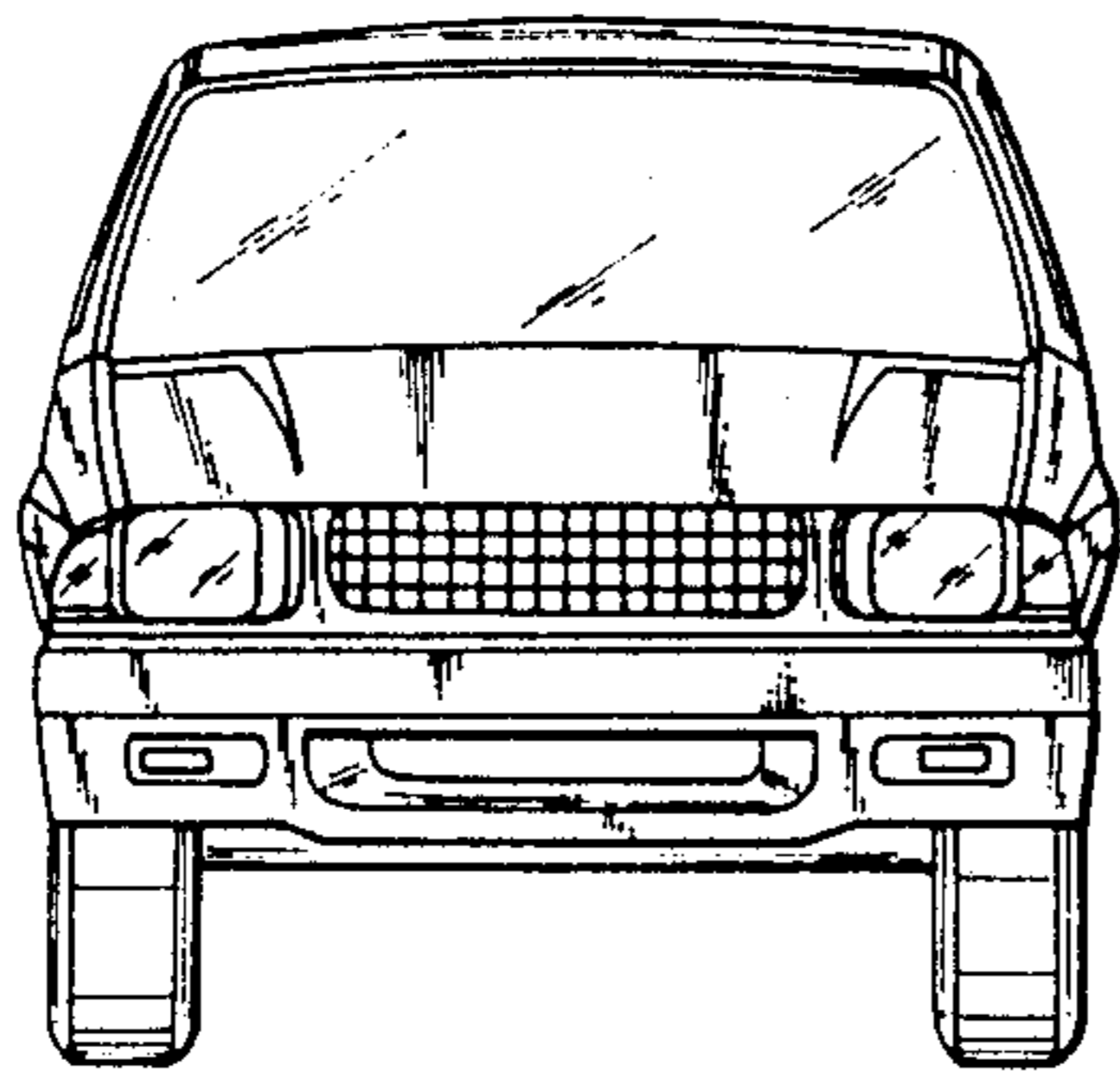


FIG. 4

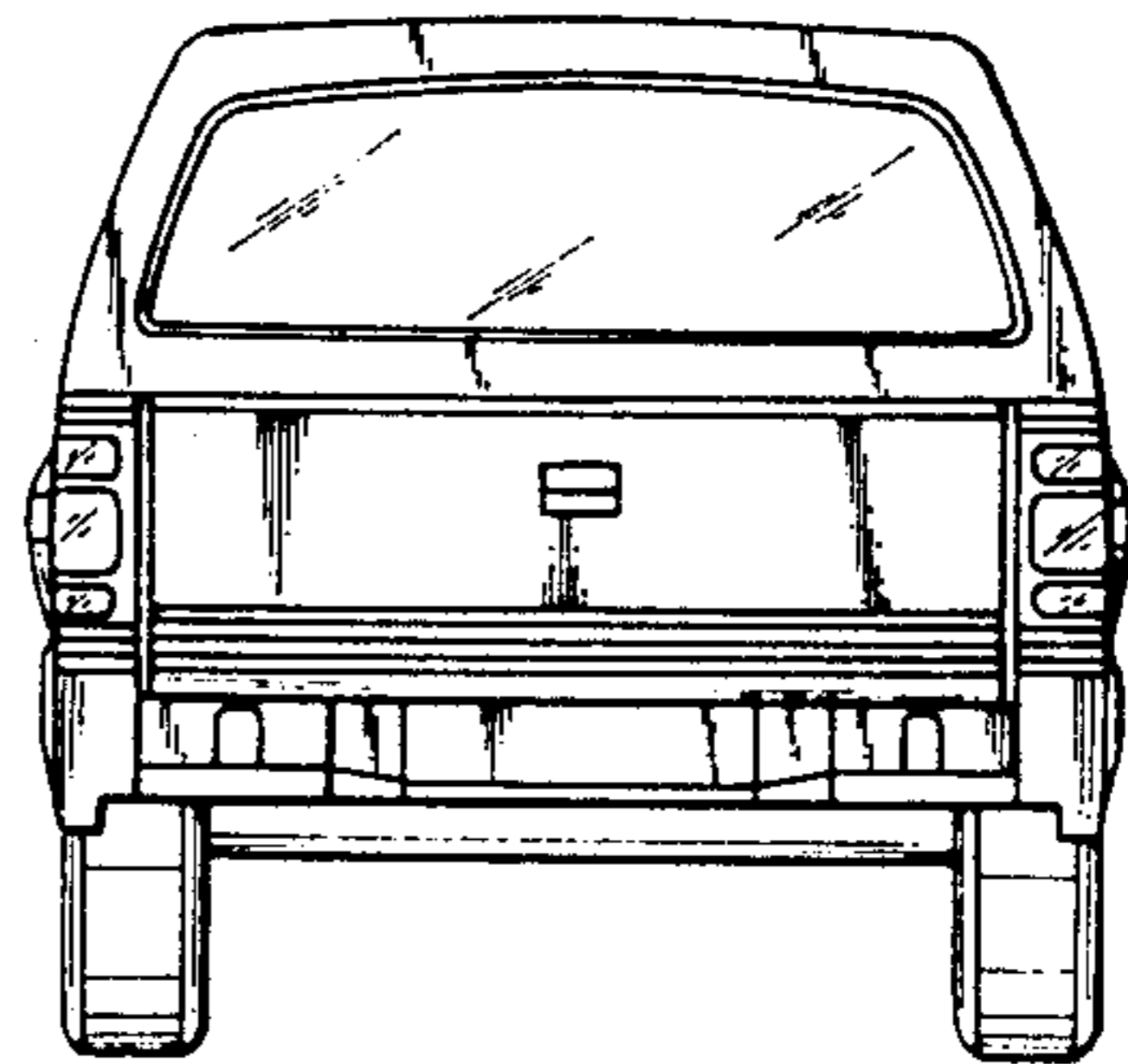


FIG. 5

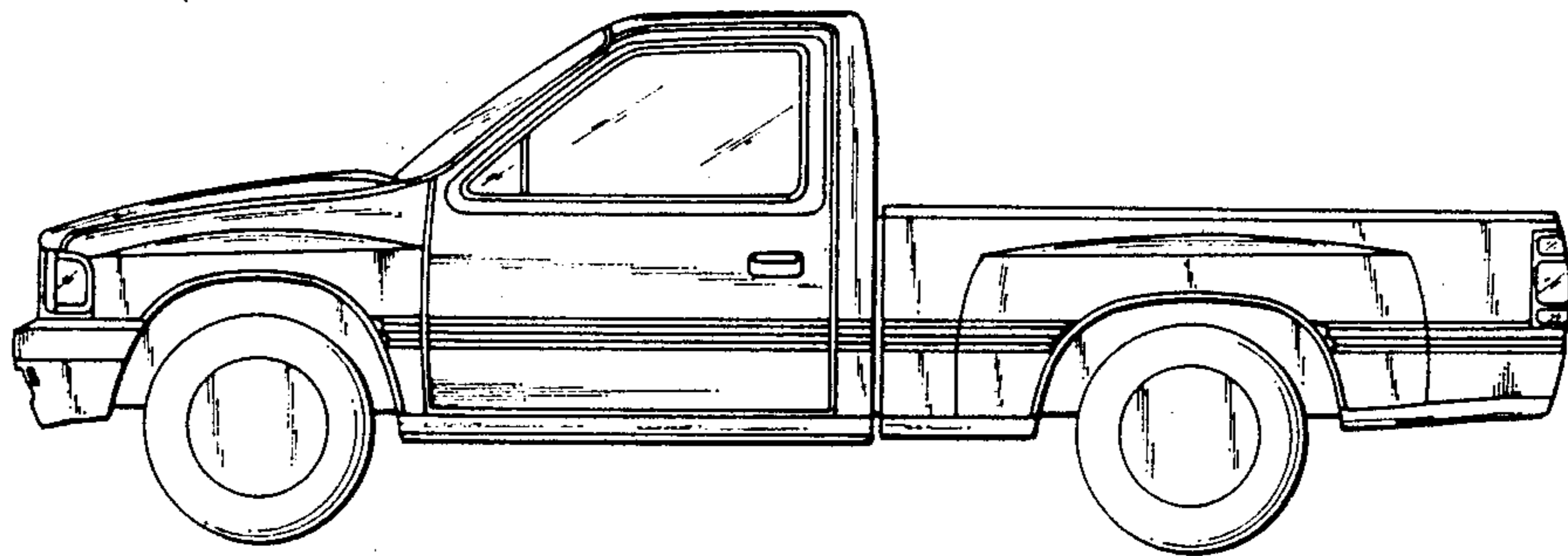


FIG. 6

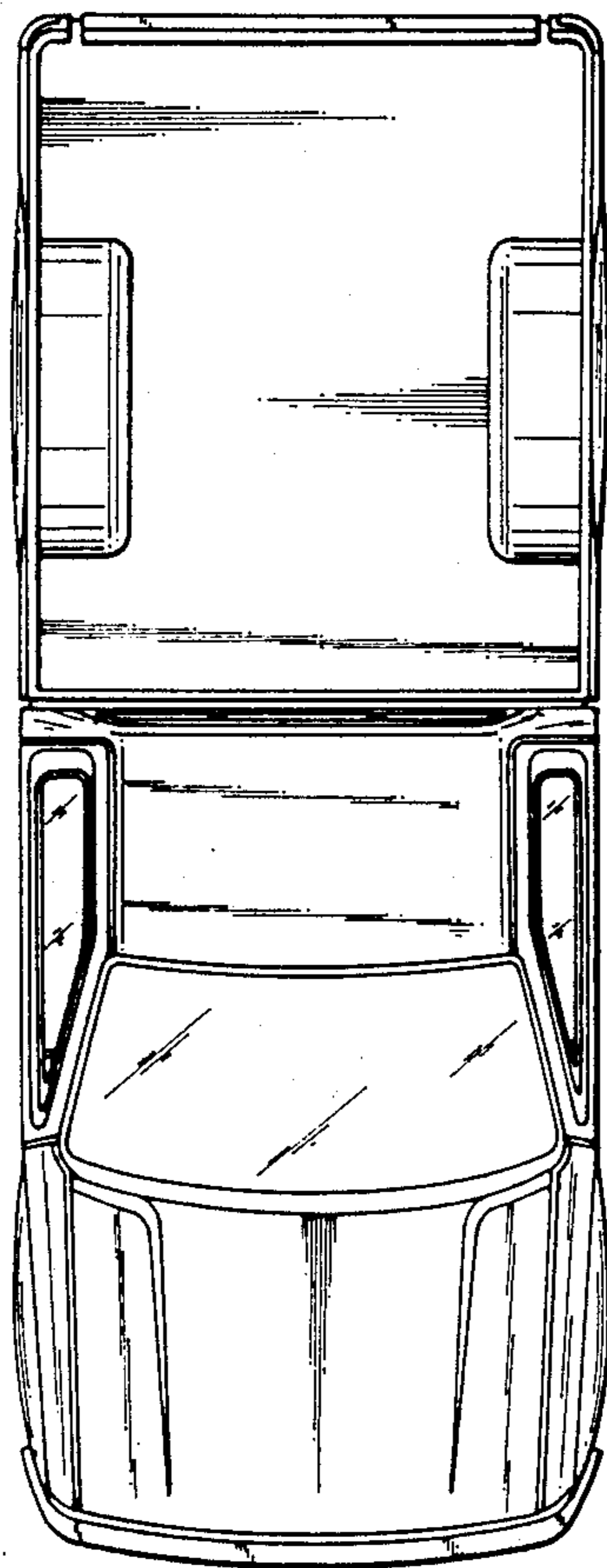


FIG. 7

