

[54] **SKI ATTACHABLE TO A STROLLER**

[76] **Inventor: Phillip A. Anderson, 665 Pickering St., Manchester, N.H. 03104**

[**] **Term: 14 Years**

[21] **Appl. No.: 176,379**

[22] **Filed: Mar. 31, 1988**

[52] **U.S. Cl. D12/6**

[58] **Field of Search D12/6, 7; 280/21.1, 280/25; 180/180, 181, 182, 183**

[56] **References Cited**

U.S. PATENT DOCUMENTS

3,786,886 1/1974 Bombardier 280/25
3,901,525 8/1975 O'Brien et al. 180/183

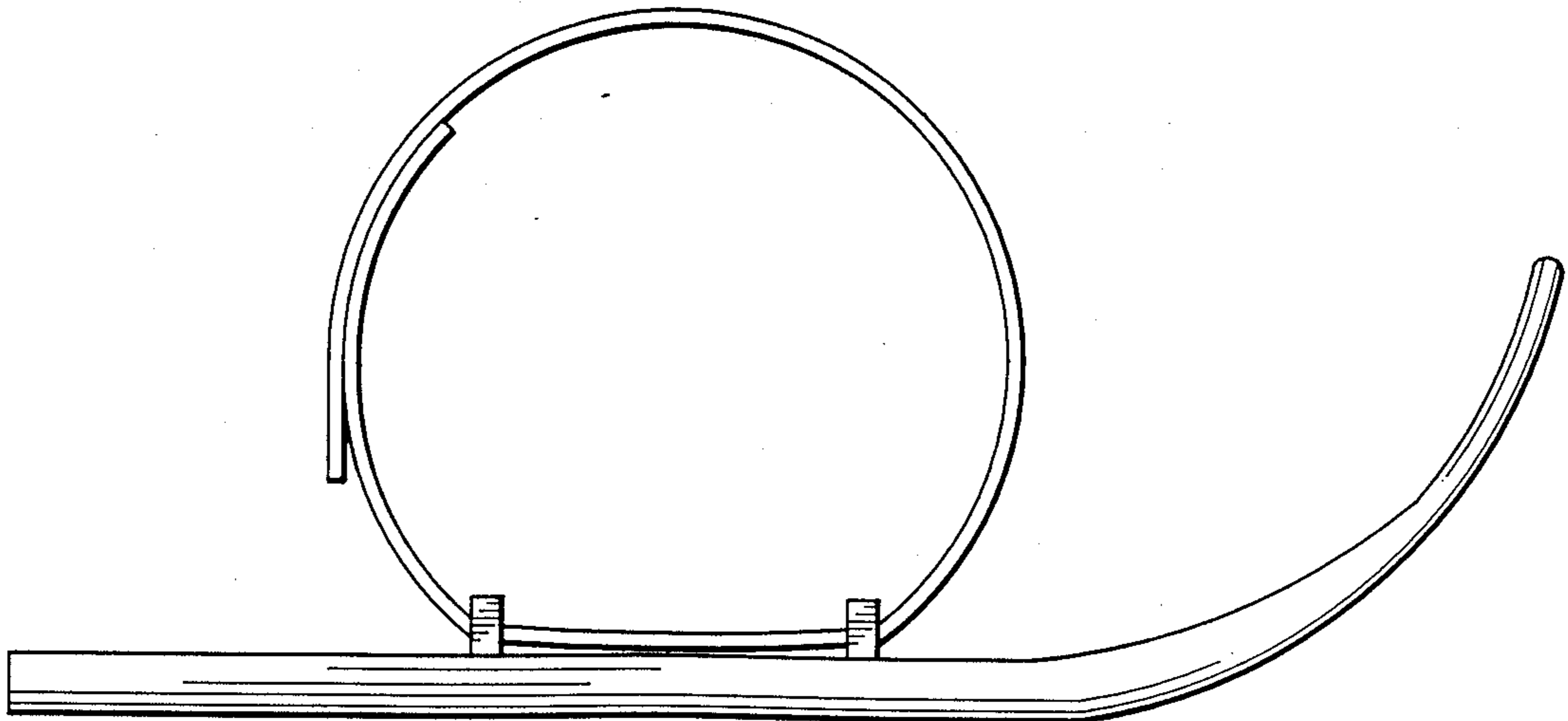
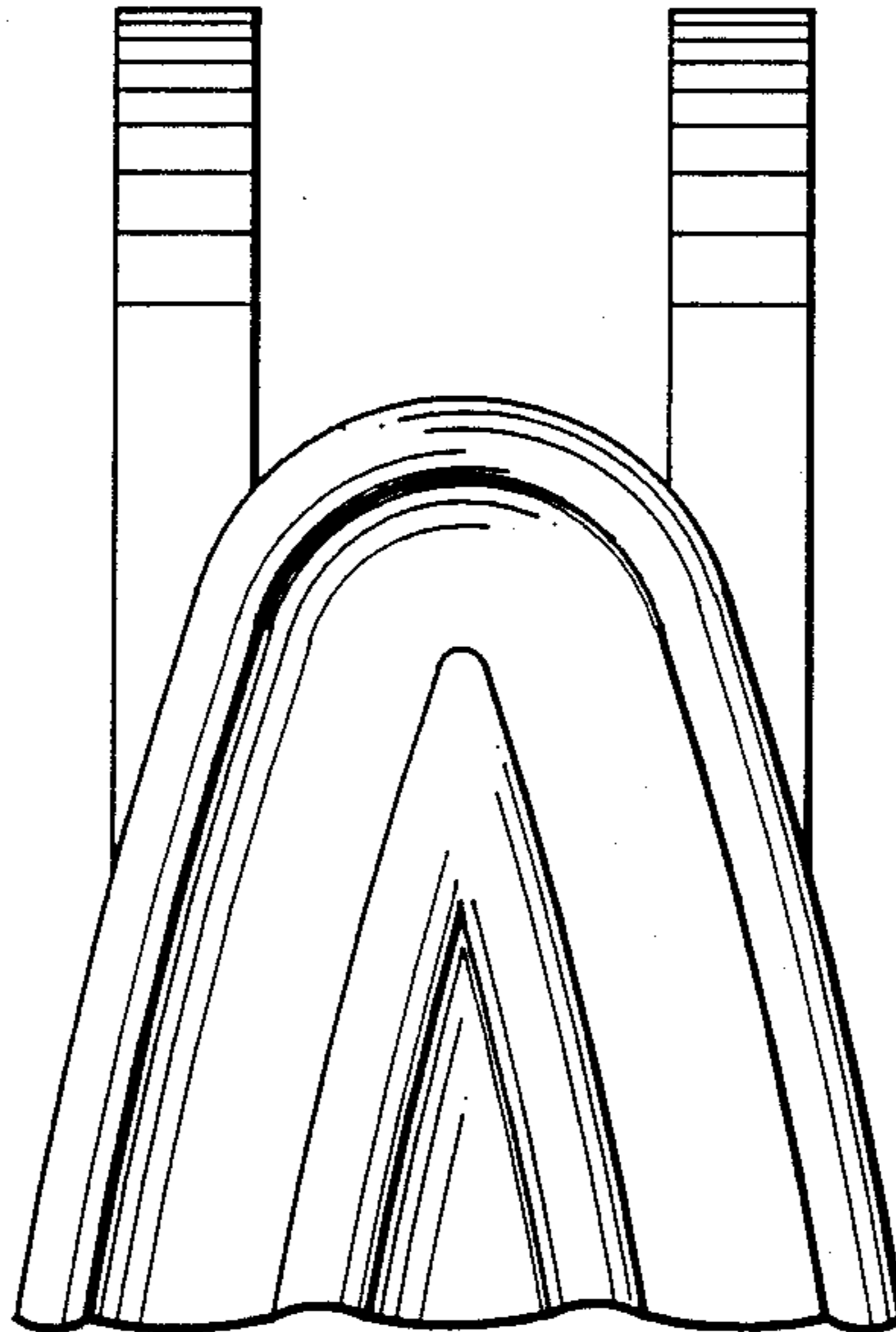
Primary Examiner—James M. Gandy
Assistant Examiner—Melody Brown
Attorney, Agent, or Firm—Jerry T. Kearns

[57] **CLAIM**

The ornamental design for a ski attachable to a stroller, as shown.

DESCRIPTION

FIG. 1 is a front elevational view of a ski attachable to a stroller showing my new design;
FIG. 2 is a rear elevational view thereof;
FIG. 3 is a left side elevational view thereof;
FIG. 4 is a right side elevational view thereof;
FIG. 5 is a top plan view thereof; and,
FIG. 6 is a bottom plan view thereof.



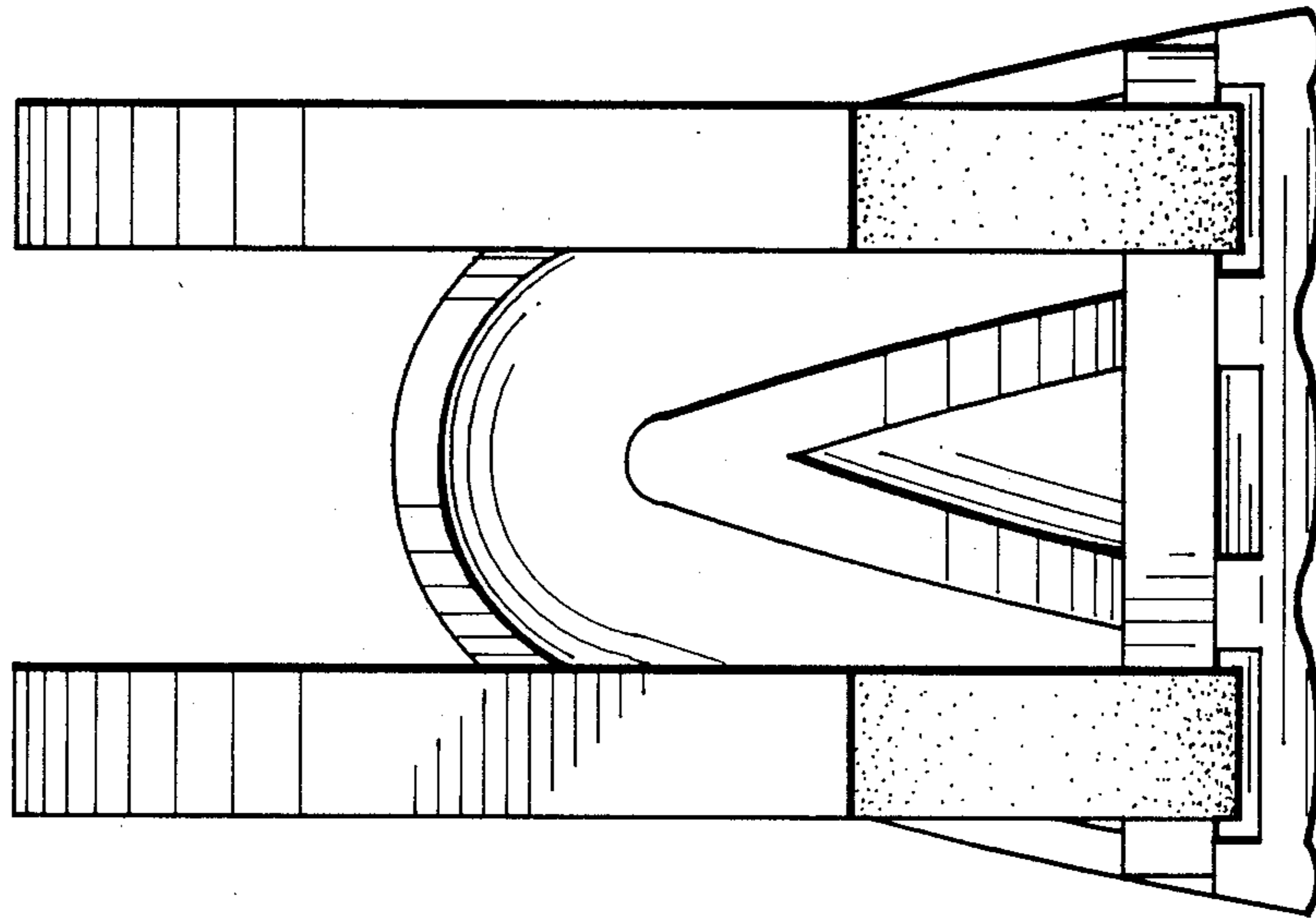


Fig. 2

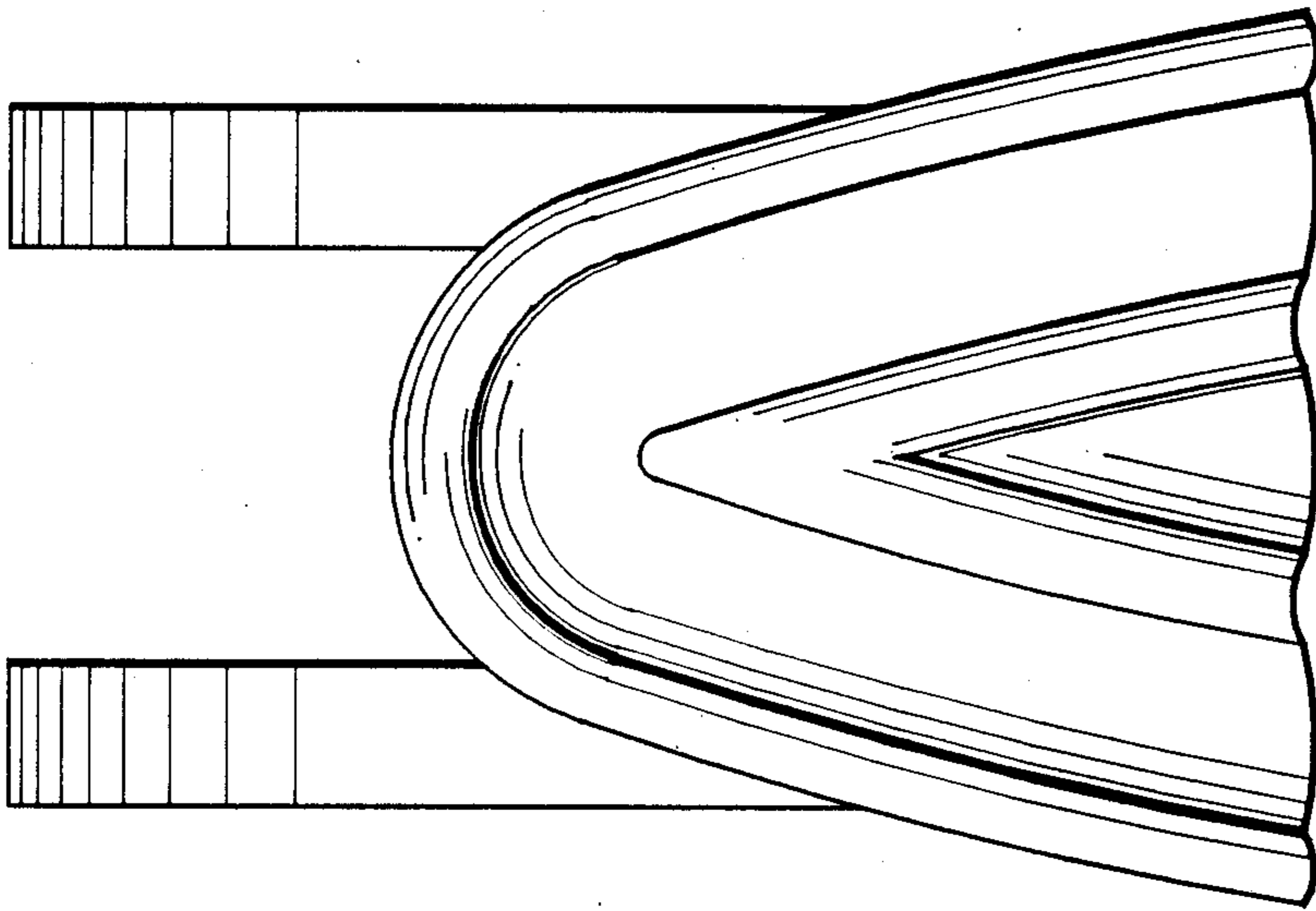


Fig. 1

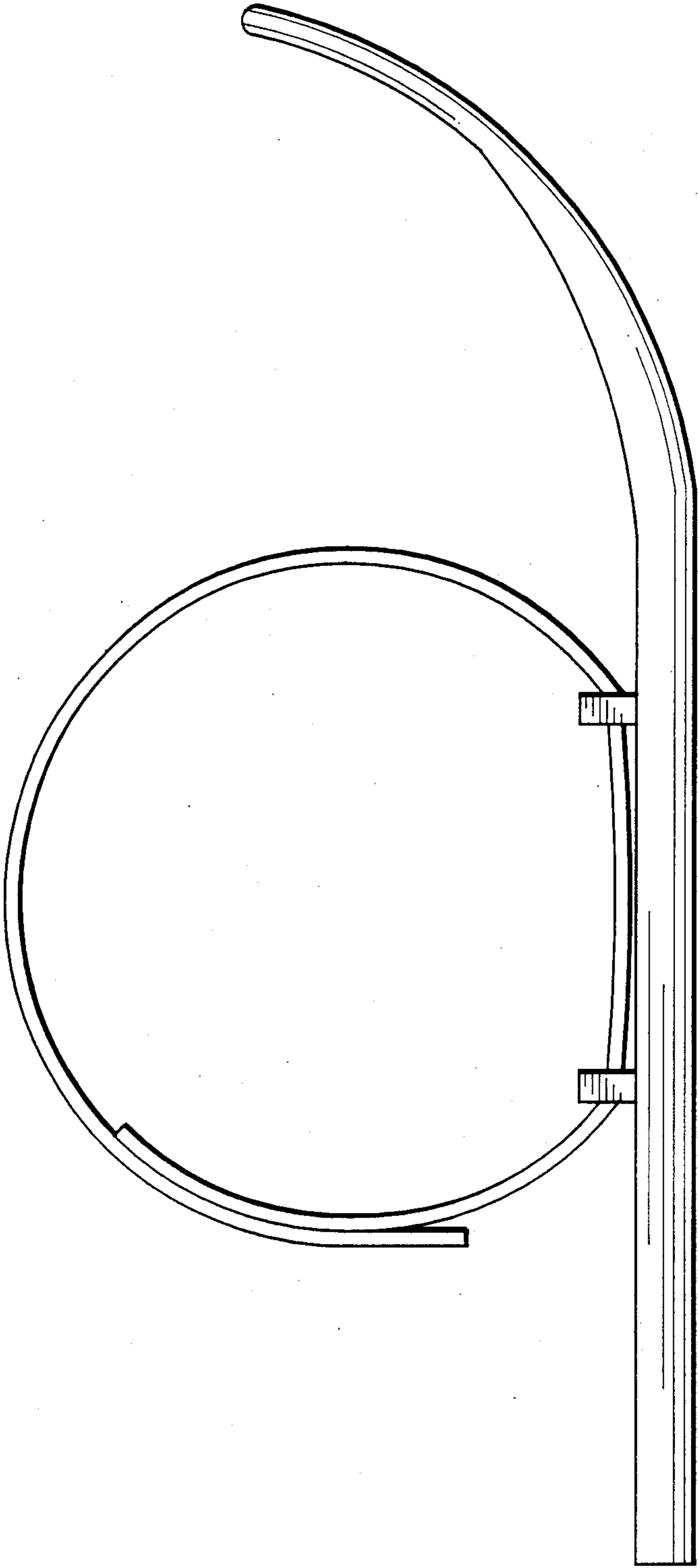


Fig. 3

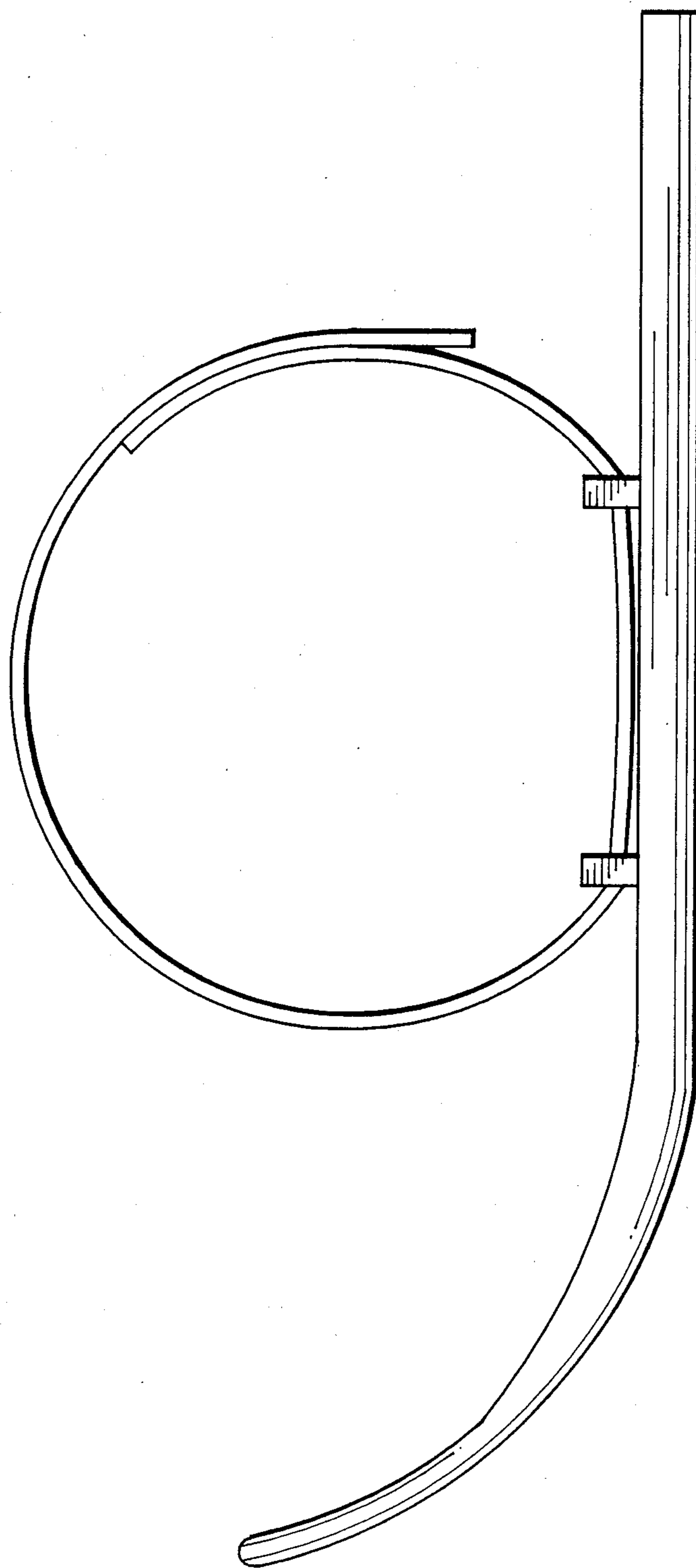


Fig. 4

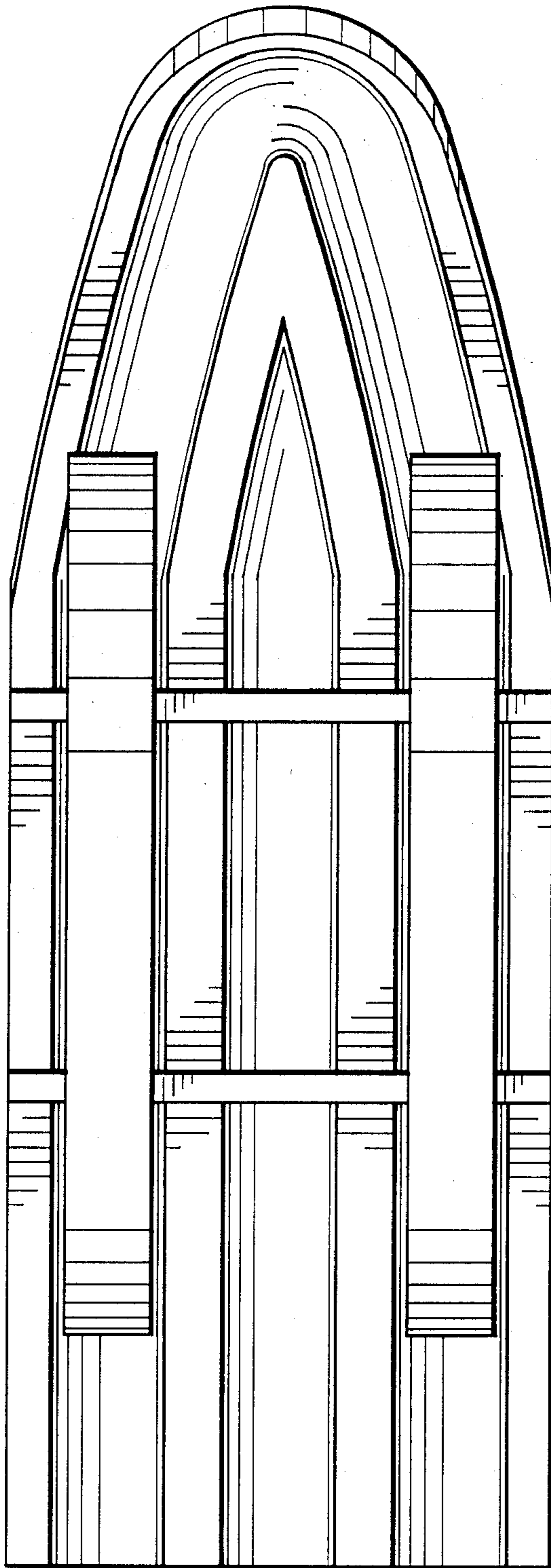


Fig. 5

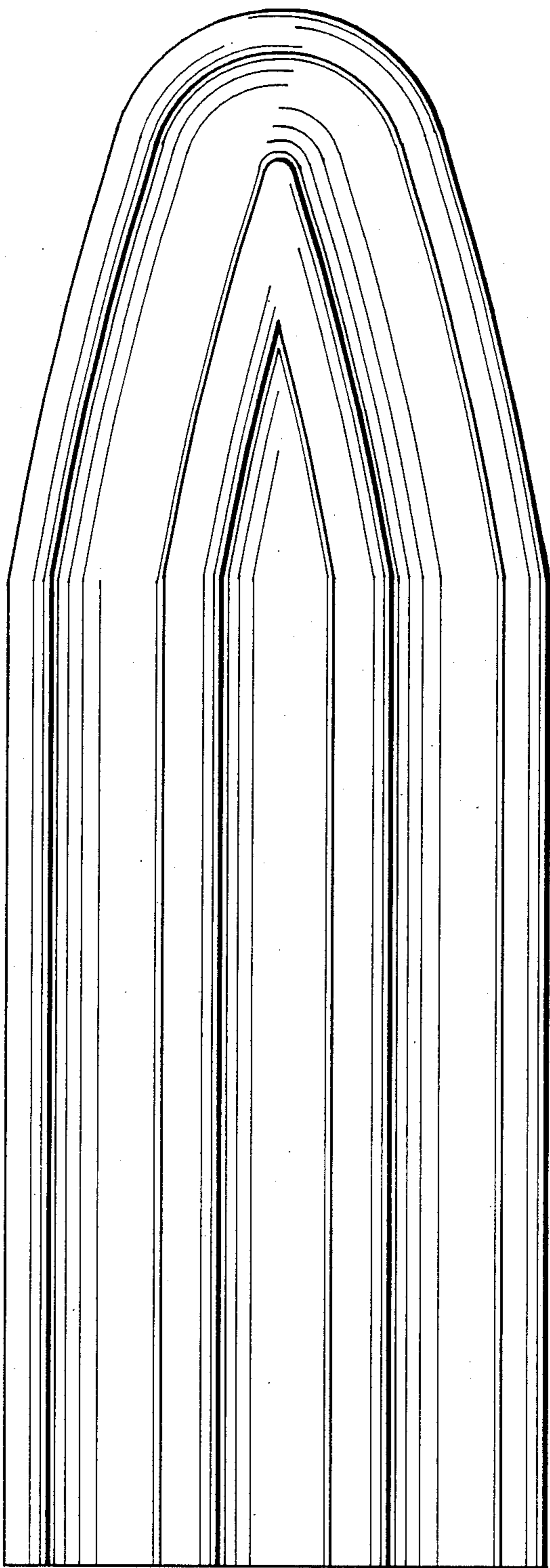


Fig. 6