

[54] WINDSHIELD MOUNT FOR A RADAR DETECTOR

D. 291,176 8/1987 Sokol D8/380
4,065,087 12/1977 Solden 248/201
4,760,497 7/1988 Roston D10/104

[75] Inventors: Frederick J. Reber, II; Gregory R. Furnish, both of Cincinnati, Ohio

Primary Examiner—Wallace R. Burke
Assistant Examiner—Marcus Jackson
Attorney, Agent, or Firm—Wood, Herron & Evans

[73] Assignee: Cincinnati Microwave, Inc., Cincinnati, Ohio

[57] CLAIM

[**] Term: 14 Years

The ornamental design for a windshield mount for a radar detector, as shown and described.

[21] Appl. No.: 274,139

DESCRIPTION

[22] Filed: Nov. 21, 1988

[52] U.S. Cl. D10/121; D8/380

[58] Field of Search D10/104, 106, 121; D12/191; D8/354, 380; 248/201, 203, 208, 298, 309, 310, 316 R, 316 A, 316 C, 226 R, 226.1, 226.3

FIG. 1 is a perspective view of the front, top, and left side of a windshield mount for a radar detector showing my new design with the broken lines shown for illustrative purposes only and forming no part of the claimed design;

FIG. 2 is a left side elevational view, with the right side thereof being a mirror image;

FIG. 3 is a front elevational view thereof;

FIG. 4 is a rear elevational view thereof;

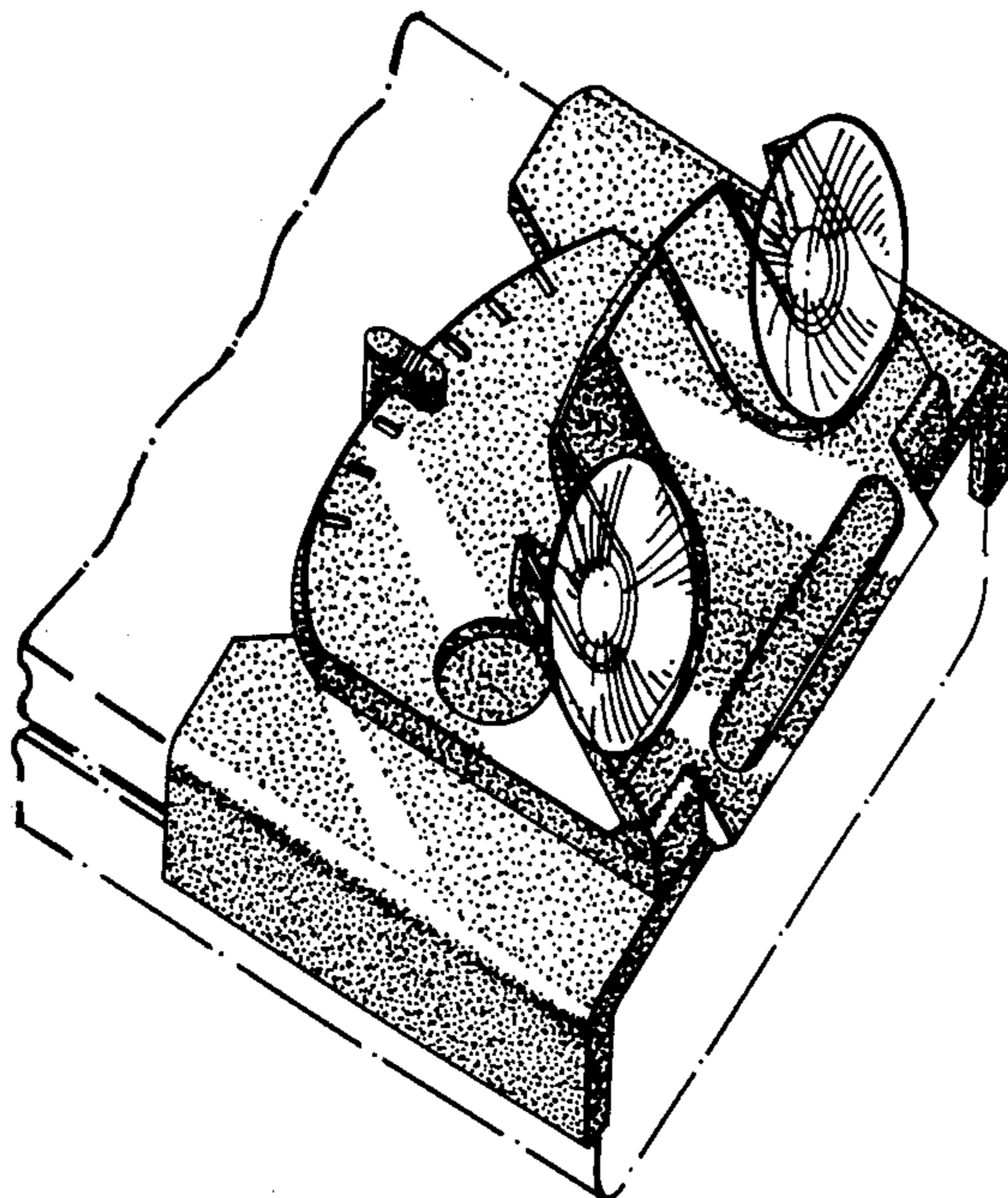
FIG. 5 is a top plan view thereof;

FIG. 6 is a bottom plan view thereof.

[56] References Cited

U.S. PATENT DOCUMENTS

D. 250,099 10/1978 Willis D10/121
D. 273,558 4/1984 Crew D8/354



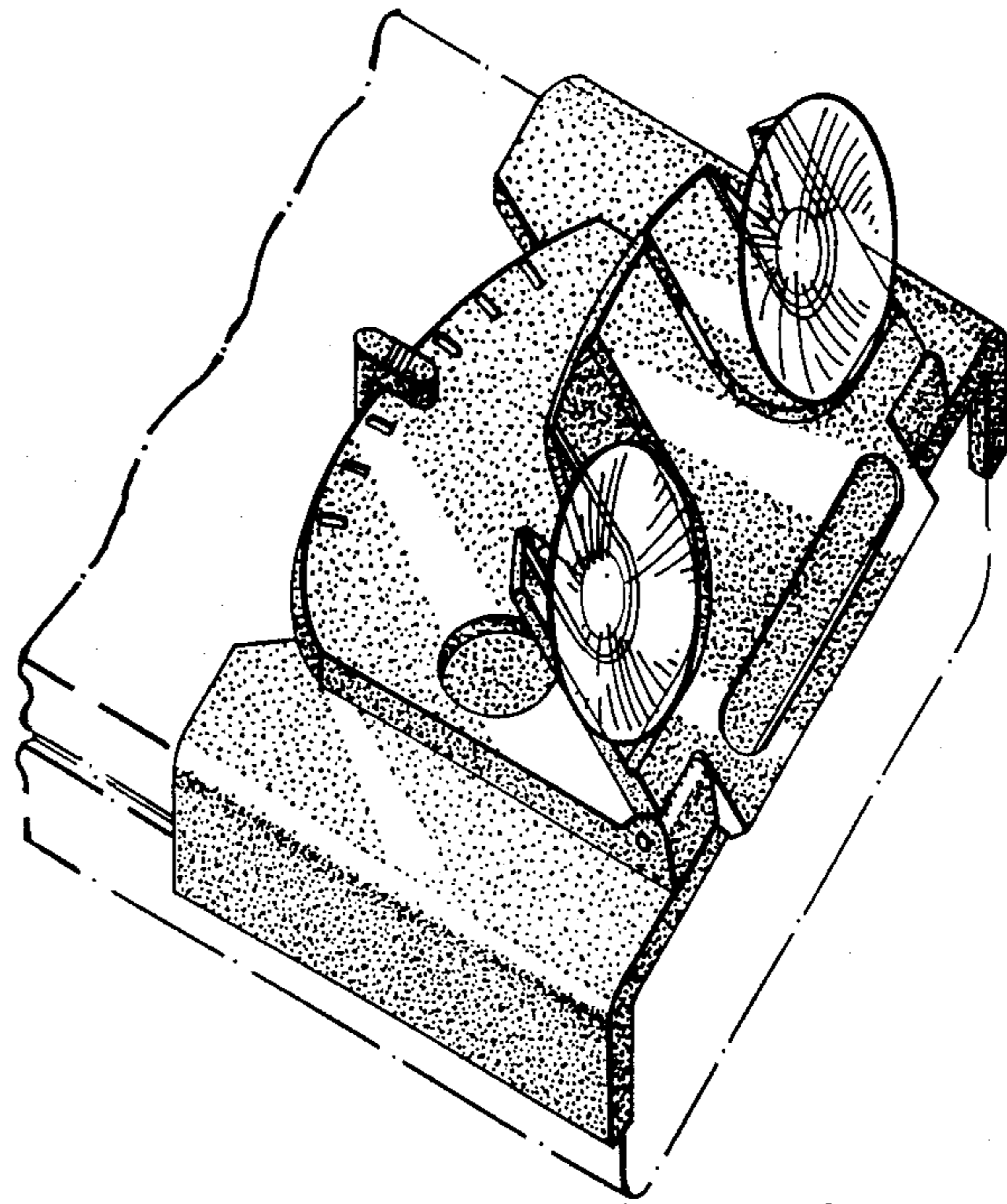


FIG. 1

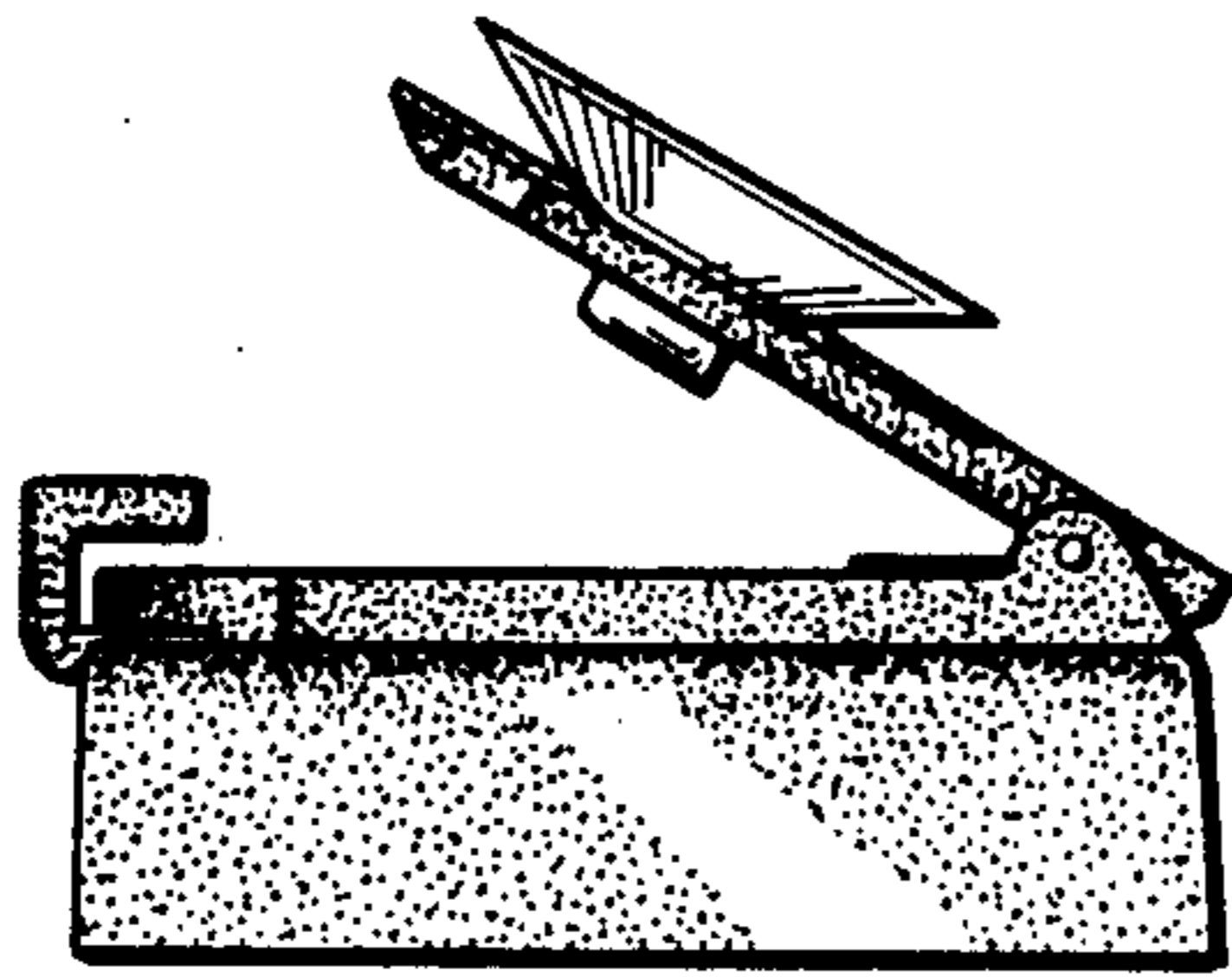


FIG. 2

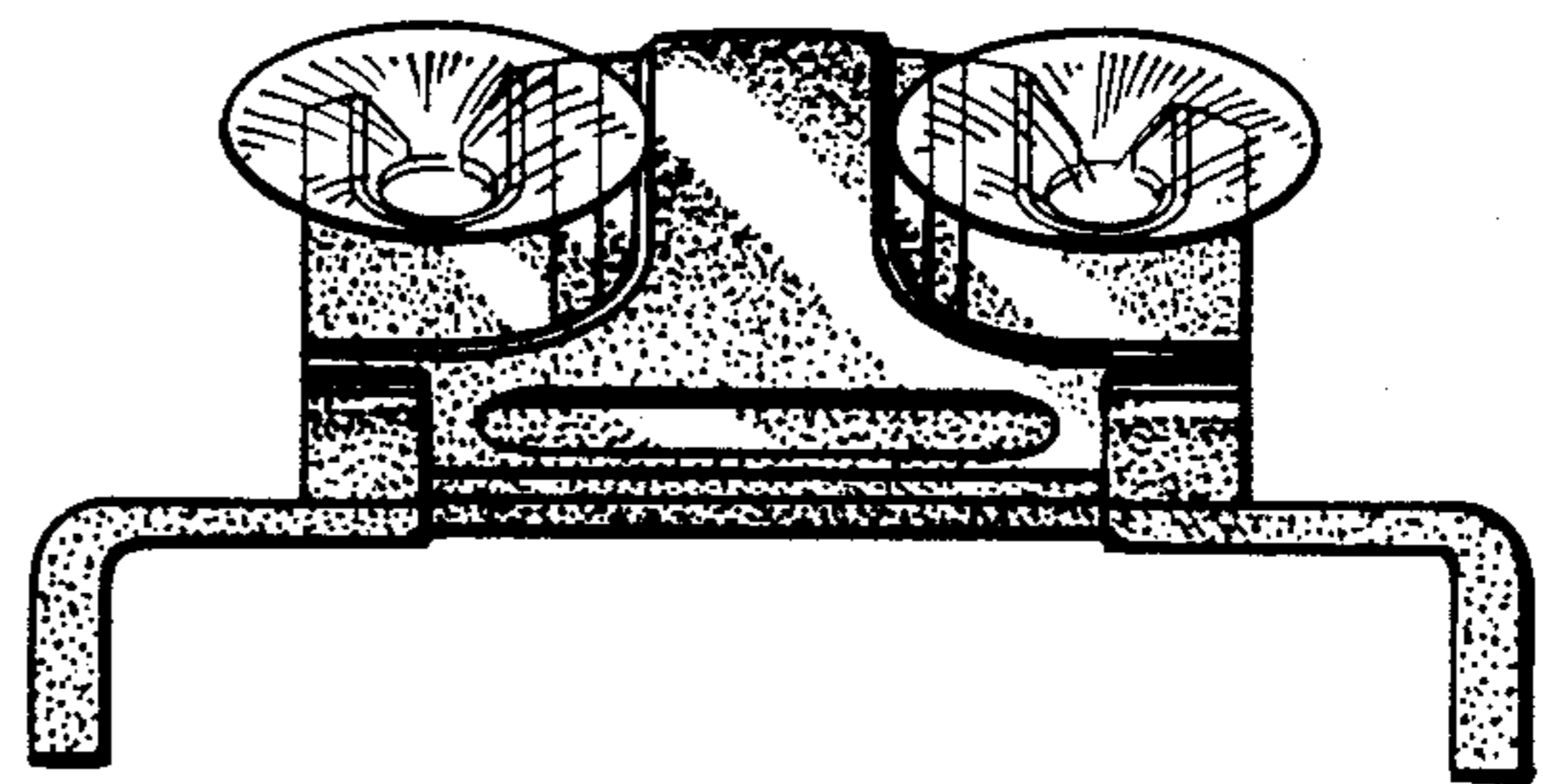


FIG. 3

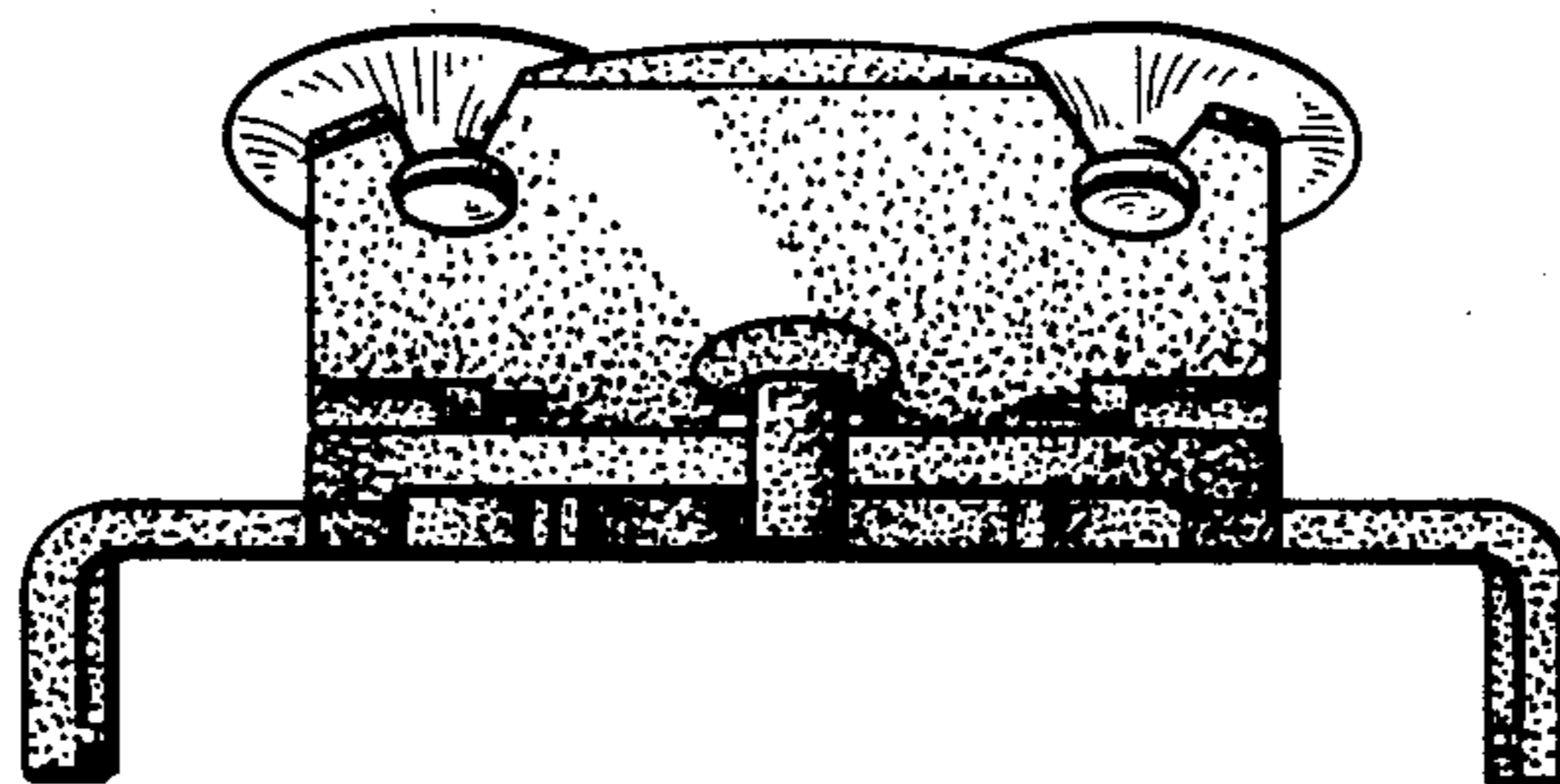


FIG. 4

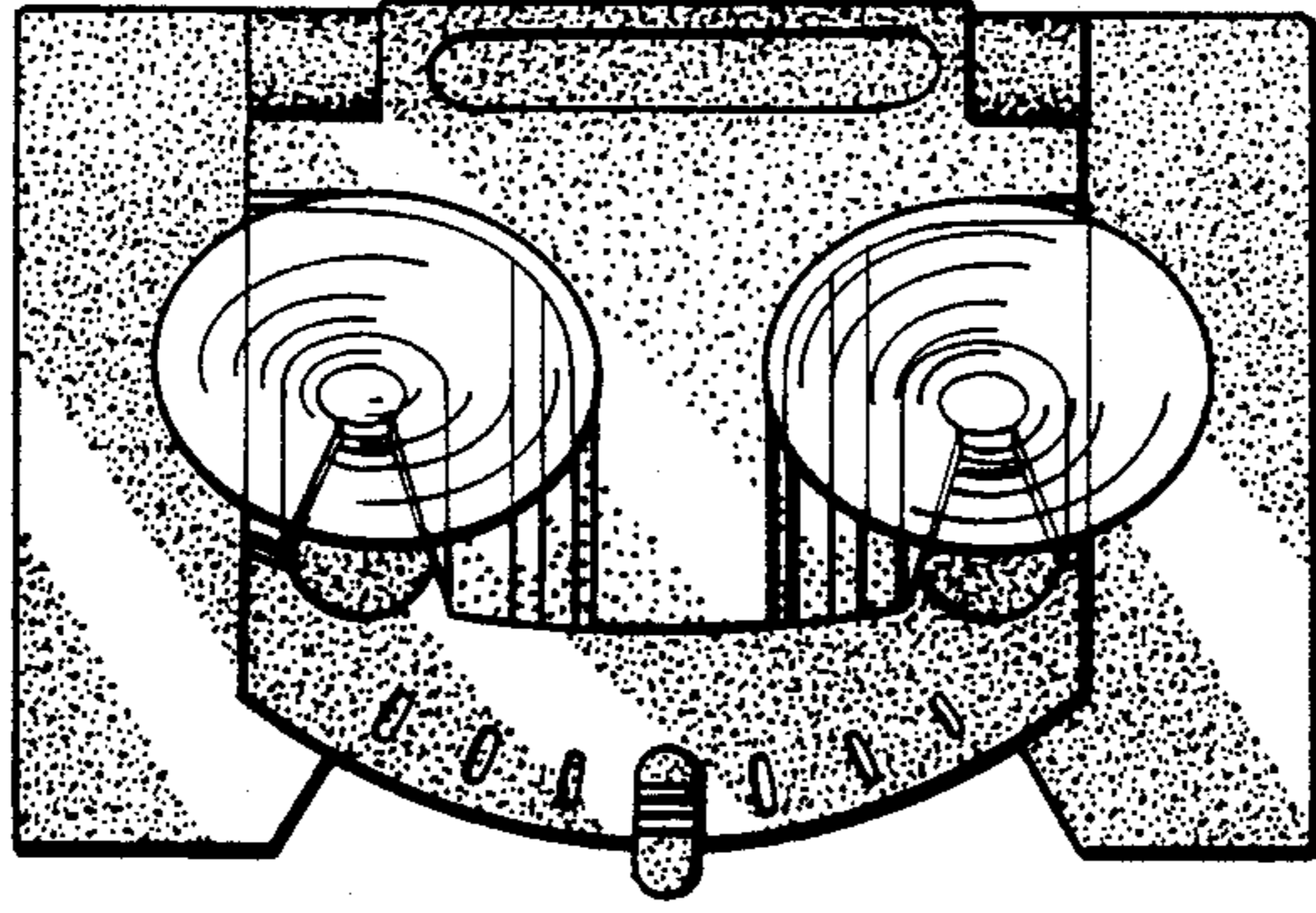


FIG. 5

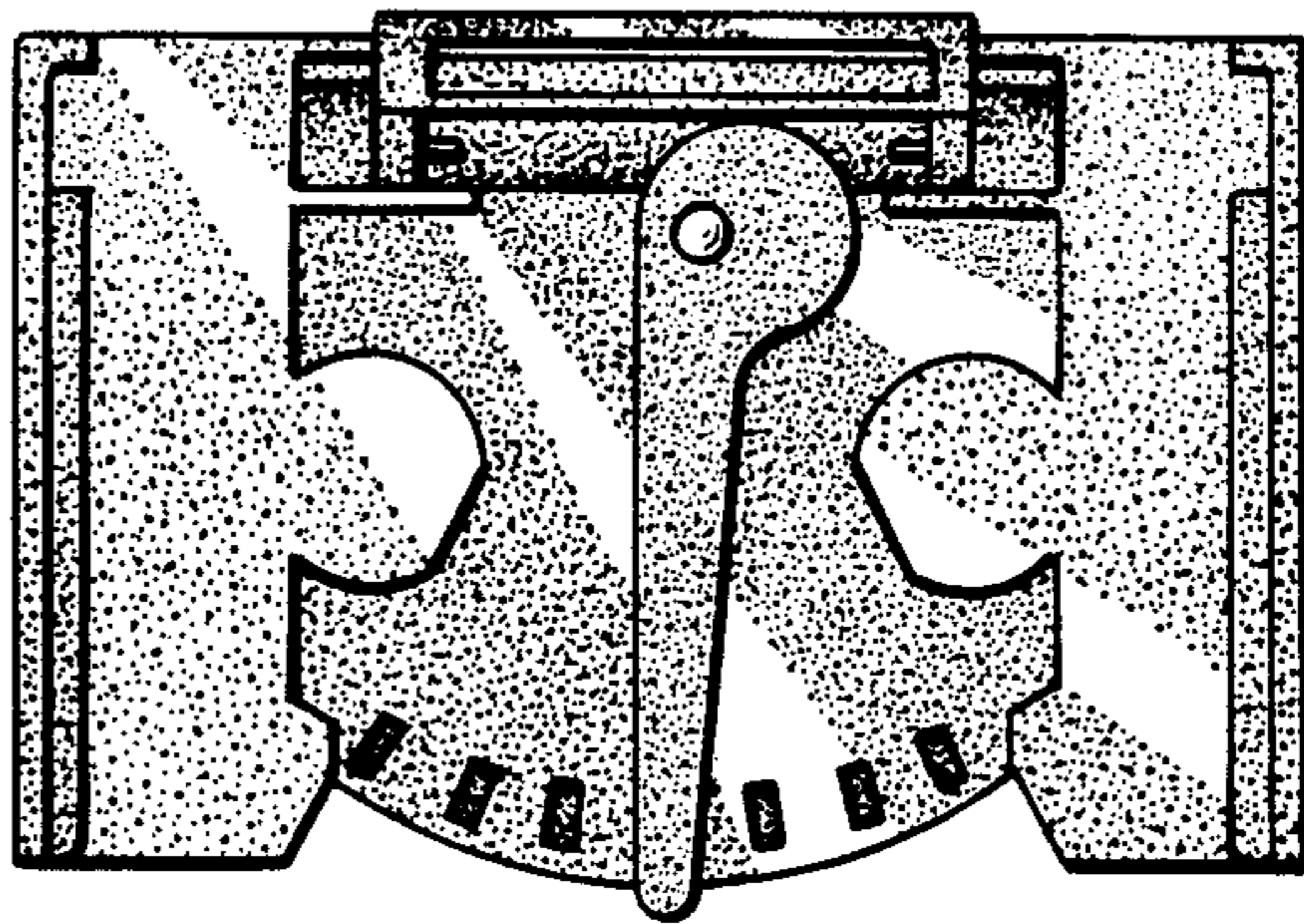


FIG. 6