

**United States Patent** [19]  
**Screen**

[11] **Patent Number: Des. 313,342**  
[45] **Date of Patent: \*\* Jan. 1, 1991**

[54] **TWIN WHEEL CASTOR**  
[75] **Inventor: Stafford T. Screen, Oxy, England**  
[73] **Assignee: Colson Castors (Europe) Limited,  
West Midlands, England**  
[\*\*] **Term: 14 Years**  
[21] **Appl. No.: 138,028**  
[22] **Filed: Dec. 28, 1987**

[30] **Foreign Application Priority Data**  
Jul. 8, 1987 [GB] United Kingdom ..... 1043323  
[52] **U.S. Cl. .... D8/375; 16/47**  
[58] **Field of Search ..... D8/375; 16/47, 48**

[56] **References Cited**  
**U.S. PATENT DOCUMENTS**  
D. 207,100 3/1967 Haydock ..... D8/375  
D. 241,513 9/1976 Fontana ..... D8/375  
D. 241,611 9/1976 Crescenzi et al. .... D8/375  
D. 266,614 10/1982 Neville ..... D8/375  
D. 272,416 1/1984 Screen ..... D8/375  
2,770,831 11/1956 Angelica et al. .... D8/375 X

2,911,666 11/1959 Schultz, Jr. .... D8/375 X  
3,214,785 11/1965 Chroust ..... D8/375 X  
3,894,310 7/1975 Screen ..... 16/47  
3,967,342 7/1976 Gebland ..... 16/48  
4,120,071 10/1978 Crescenzi ..... 16/47 X

**FOREIGN PATENT DOCUMENTS**

288962 1/1966 Australia ..... 16/48

*Primary Examiner*—Horace B. Fay, Jr.  
*Attorney, Agent, or Firm*—Young & Thompson

[57] **CLAIM**

The ornamental design for a twin wheel castor, as shown and described.

**DESCRIPTION**

FIG. 1 is a front elevational view of a twin wheel castor showing my new design;  
FIG. 2 is a left side elevational view thereof;  
FIGS. 3 and 4 are respectively top and bottom plan views thereof;  
FIG. 5 is a right side top and rear perspective view thereof; and  
FIG. 6 is a rear elevational view thereof.

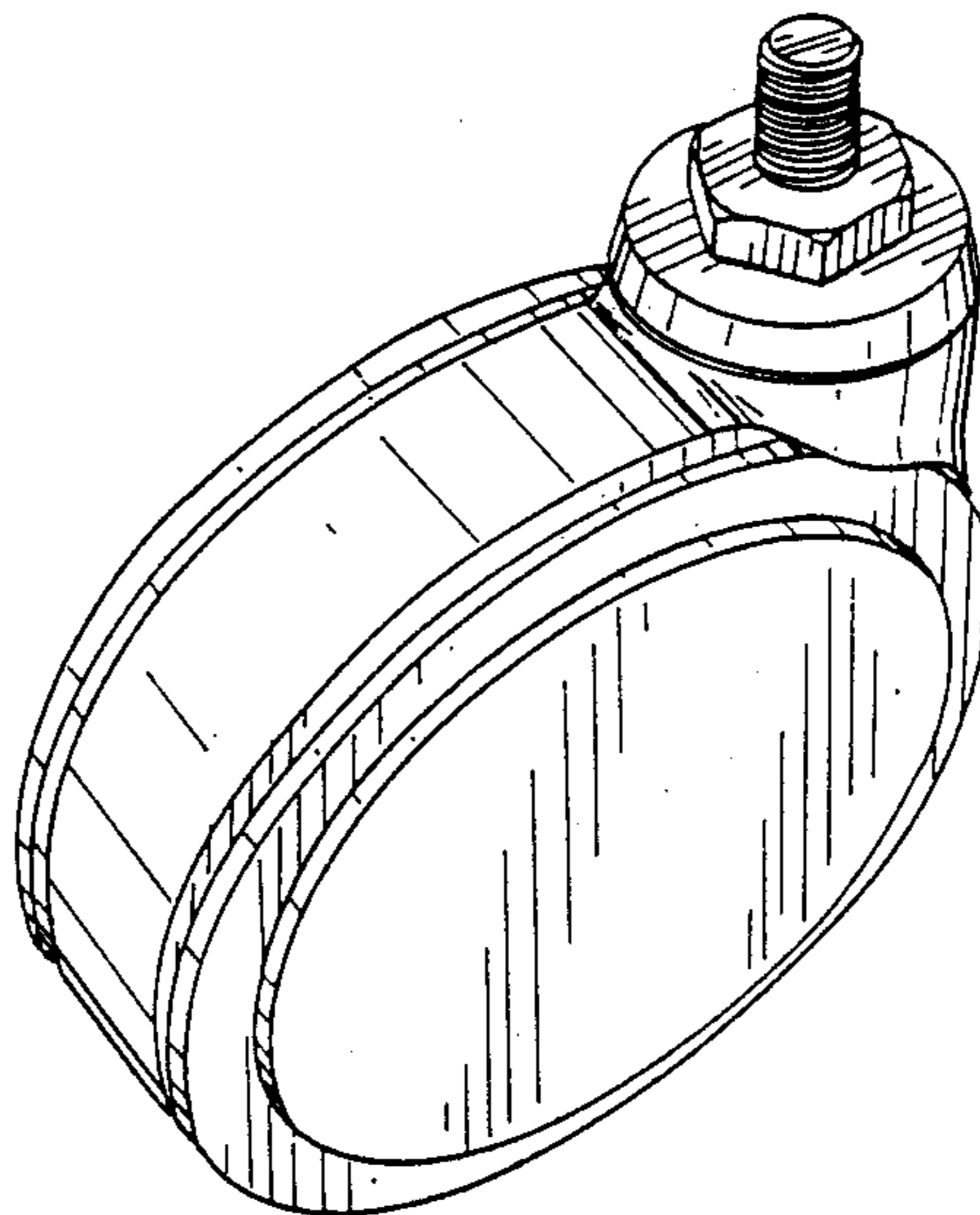
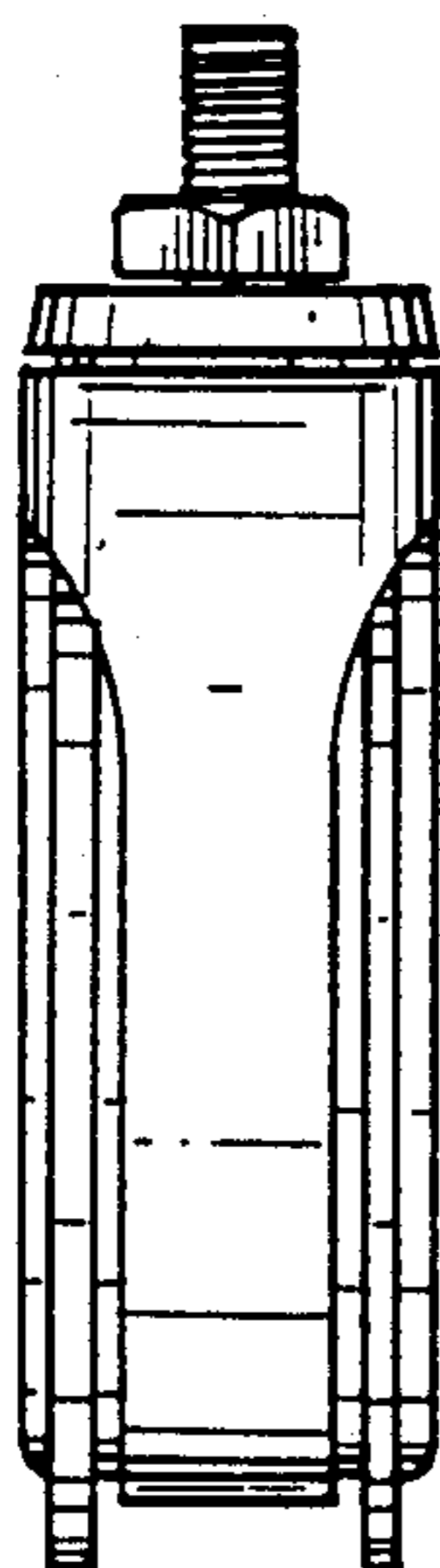


FIG. 1

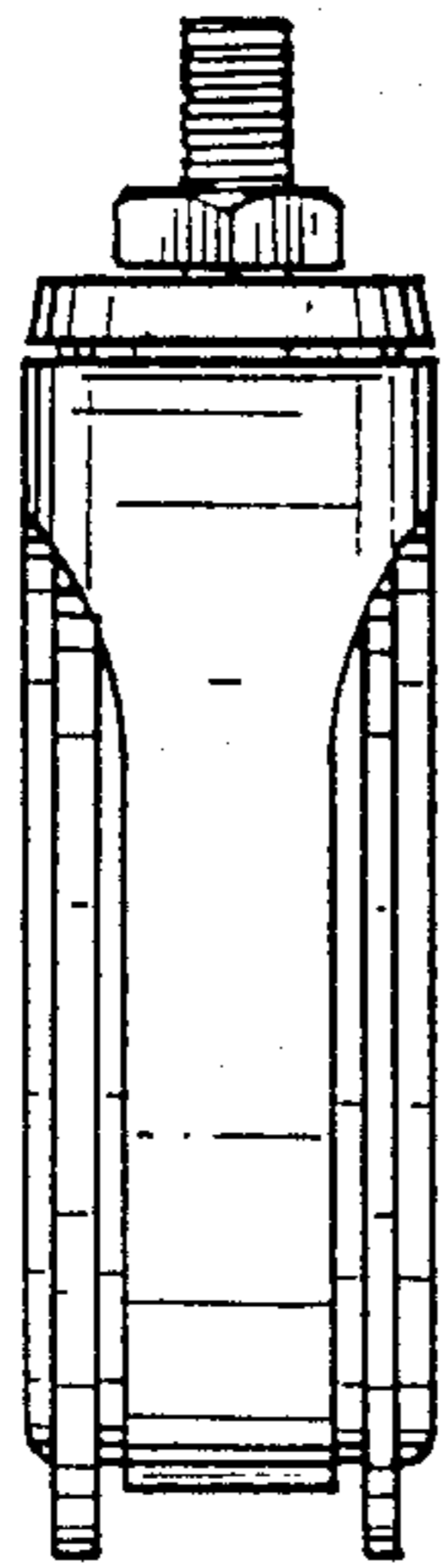


FIG. 2

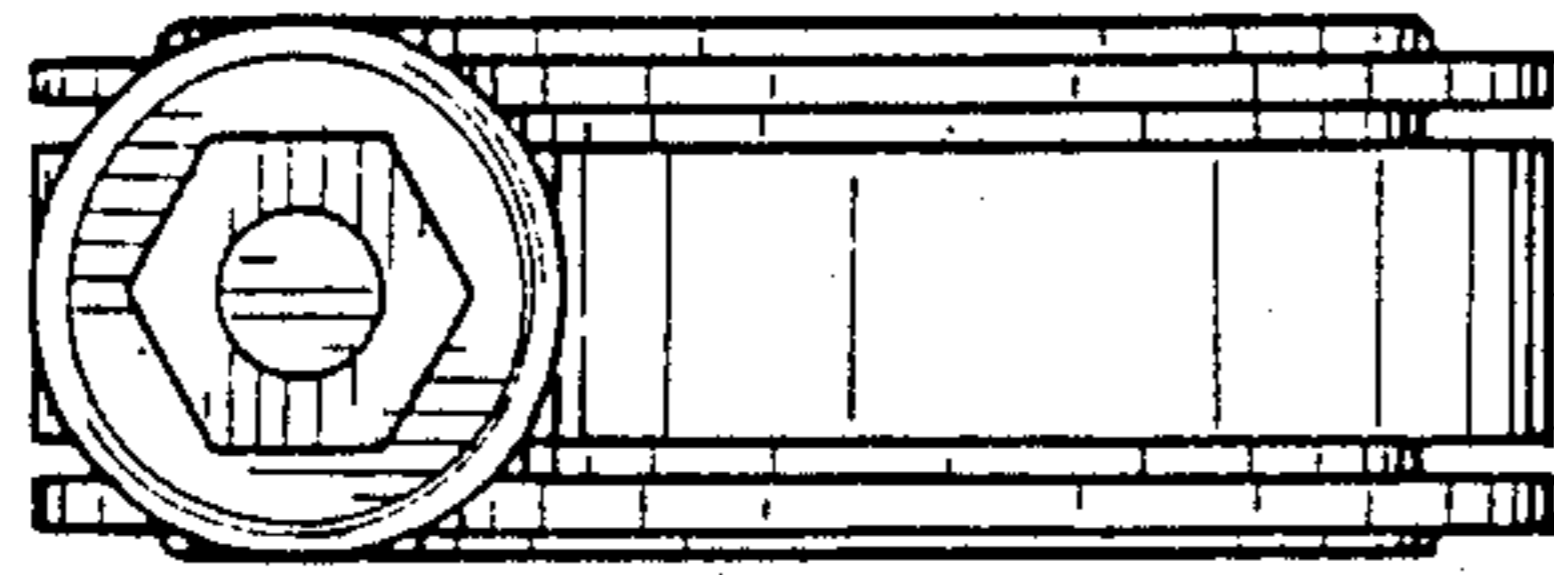
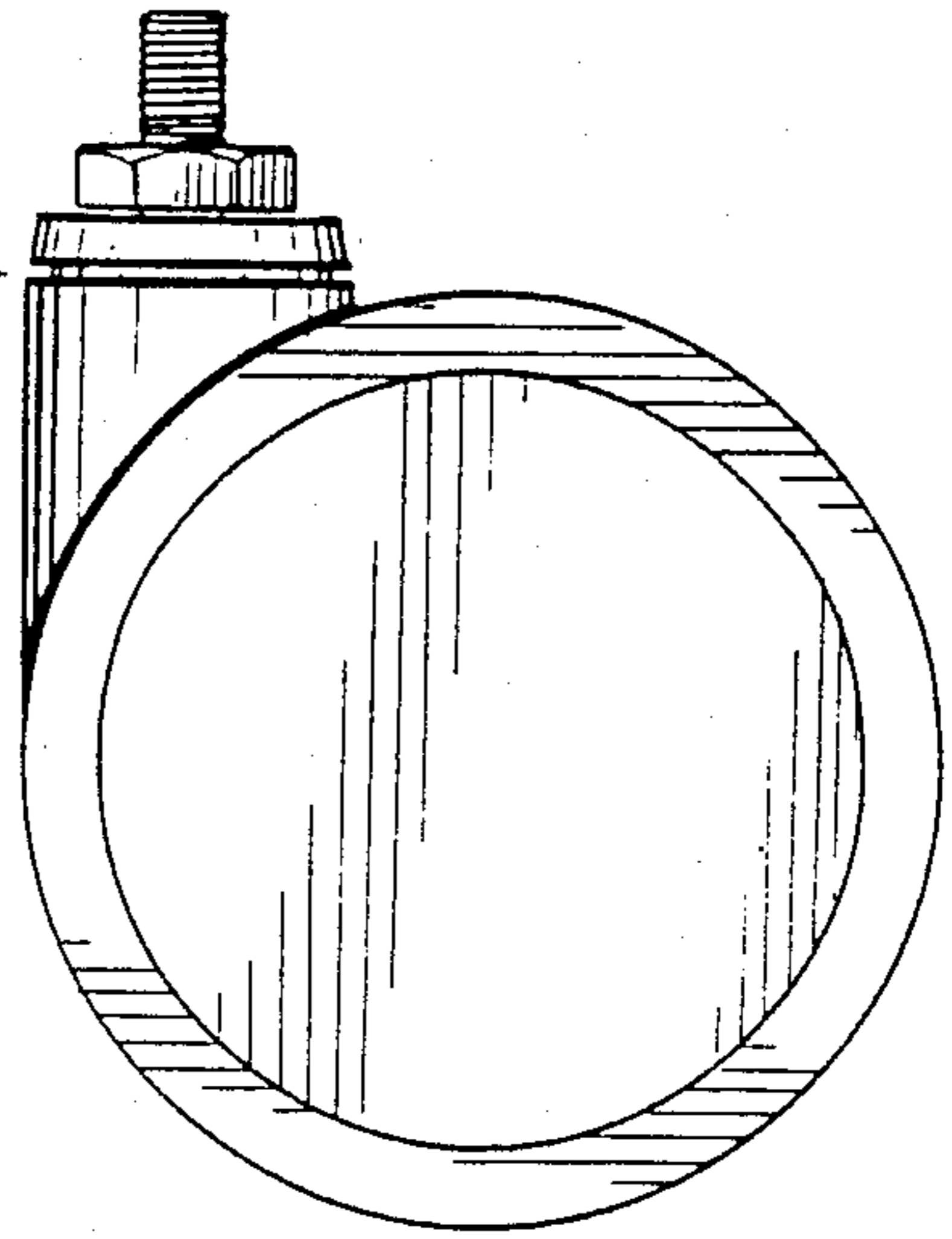


FIG. 3

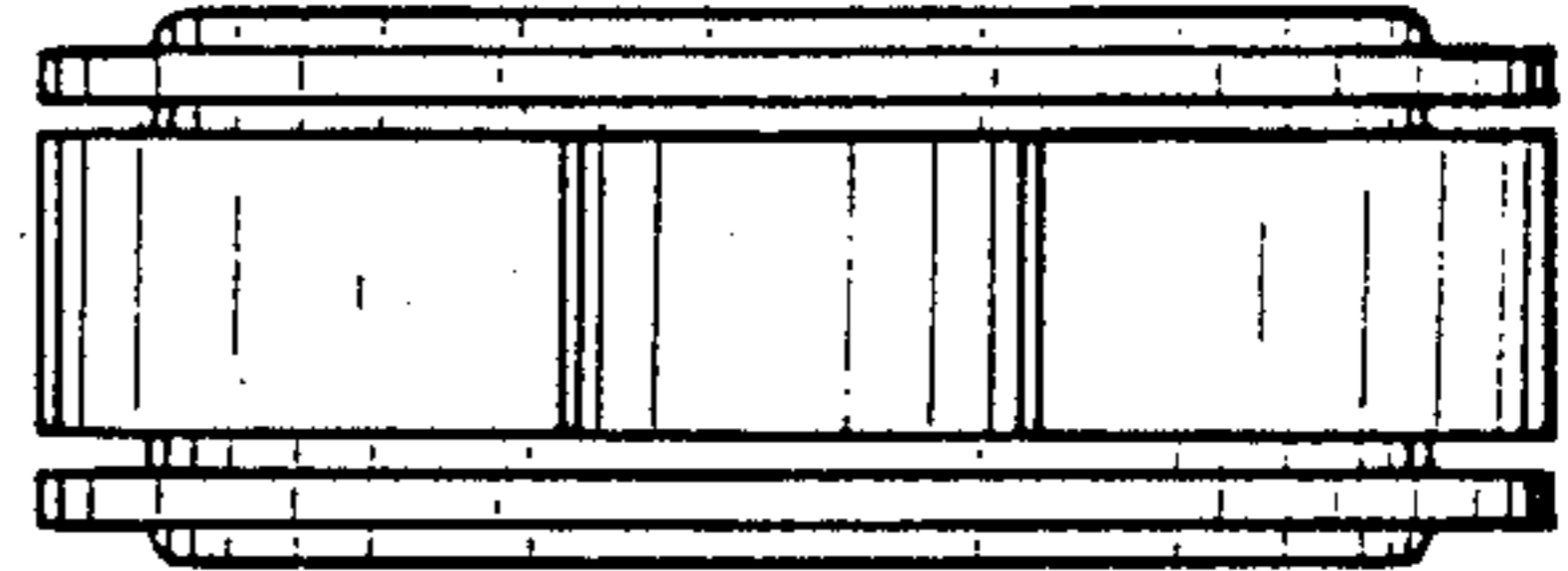


FIG. 4

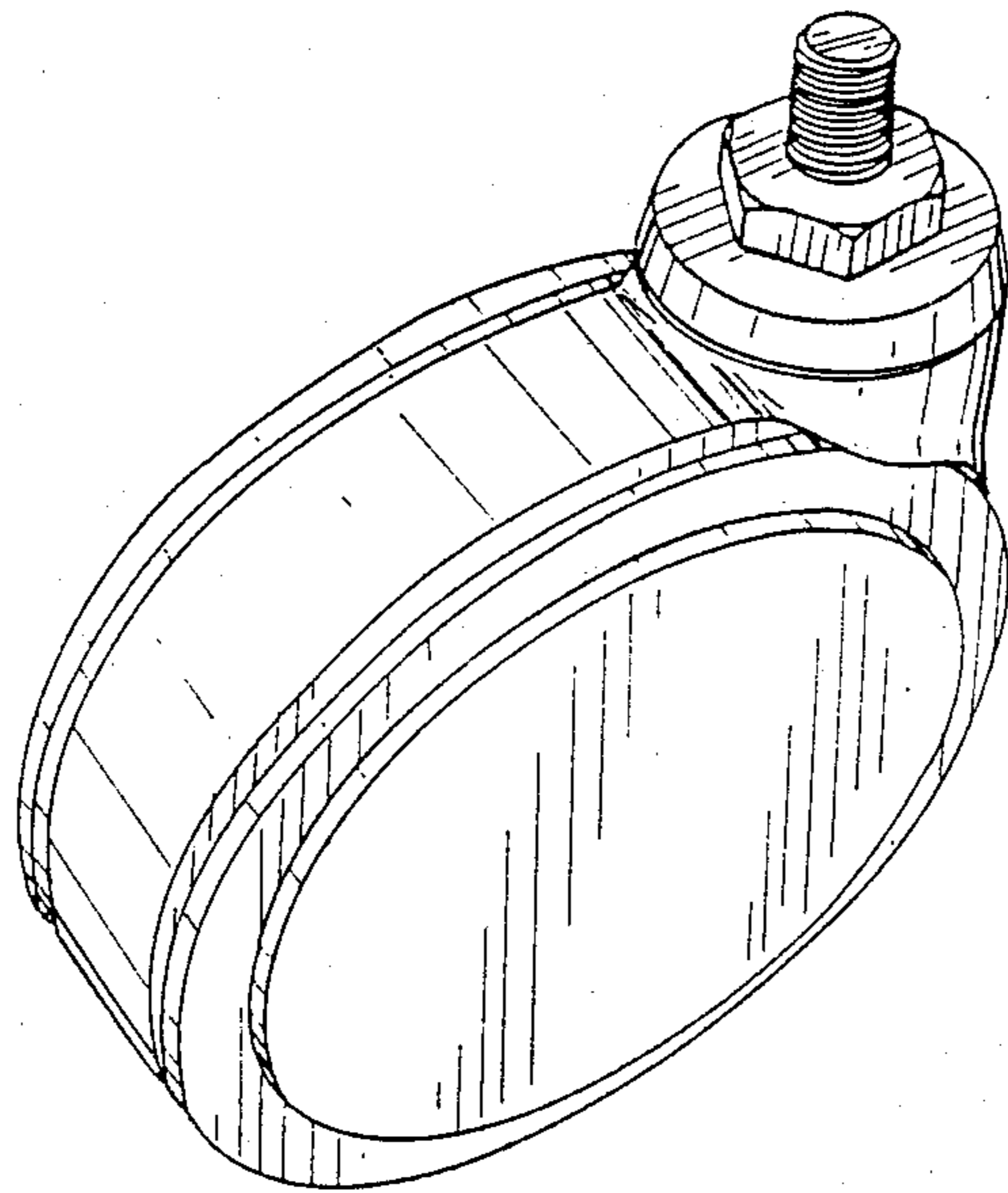


FIG. 5

FIG. 6

