

[54] HAIR DRYER HOLDER

[76] Inventors: Roger M. Gaboriault; Linda D. Gaboriault, both of 5830 Lois La., Fort Wayne, Ind. 46804

[**] Term: 14 Years

[21] Appl. No.: 385,279

[22] Filed: Jul. 26, 1989

[52] U.S. Cl. D8/366; D8/373; D28/73

[58] Field of Search D28/18, 61, 73; D6/449, D6/462, 466, 485, 490, 512, 524, 526, 553, 535, 540, 551, 552; D8/349, 355, 366, 373; 219/242; 211/13, 70.1; 248/300, 314, 309.1

[56] References Cited

U.S. PATENT DOCUMENTS

D. 247,981	5/1978	Wistrand	D28/73
D. 258,476	3/1981	Gilboy et al.	D6/573
D. 286,238	10/1986	Burton	D6/573
2,729,480	1/1956	Berndt	248/300 X
3,826,754	7/1974	Zieger	248/314 X
3,964,708	6/1976	Reeves	248/126
4,219,178	8/1980	Assion	248/314

4,225,106 9/1980 Eplan 248/309 R

FOREIGN PATENT DOCUMENTS

831650 3/1960 United Kingdom 248/300

Primary Examiner—Bernard Ansher

Assistant Examiner—C. Tuttle

Attorney, Agent, or Firm—Jeffers, Hoffman & Niewyk

[57] CLAIM

The ornamental design for a hair dryer holder, as shown and described.

DESCRIPTION

FIG. 1 is a perspective view of a hair dryer holder showing my new design;

FIG. 2 is a front elevational view thereof;

FIG. 3 is a rear view thereof;

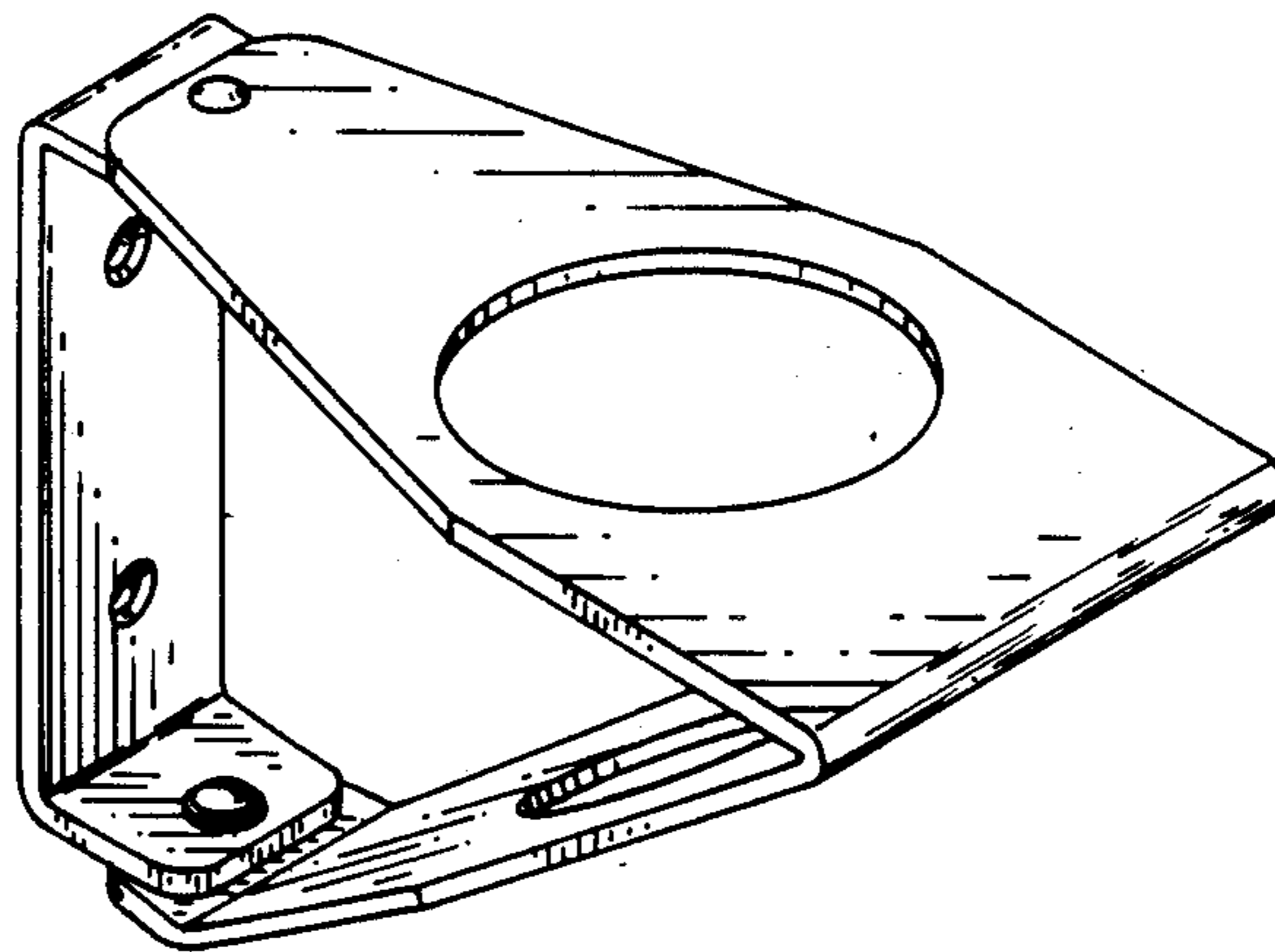
FIG. 4 is a side elevational view thereof;

FIG. 5 is a side elevational view taken from the opposite side as FIG. 4;

FIG. 6 is a top plan view thereof; and

FIG. 7 is a bottom view thereof.

The broken line representing the hair dryer in FIG. 2 is for illustrative purposes only and forms no part of the claimed design.



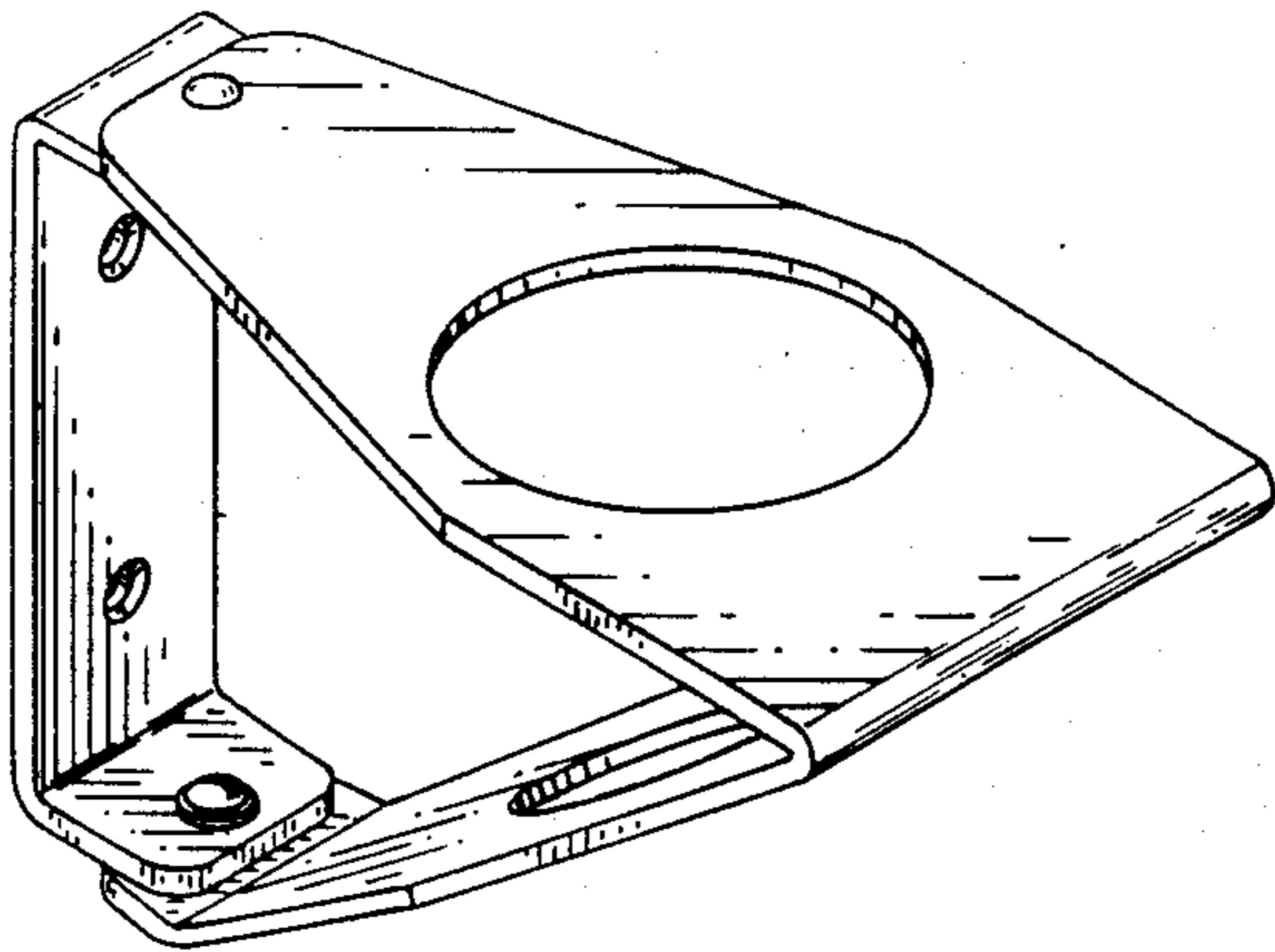


FIG. 1

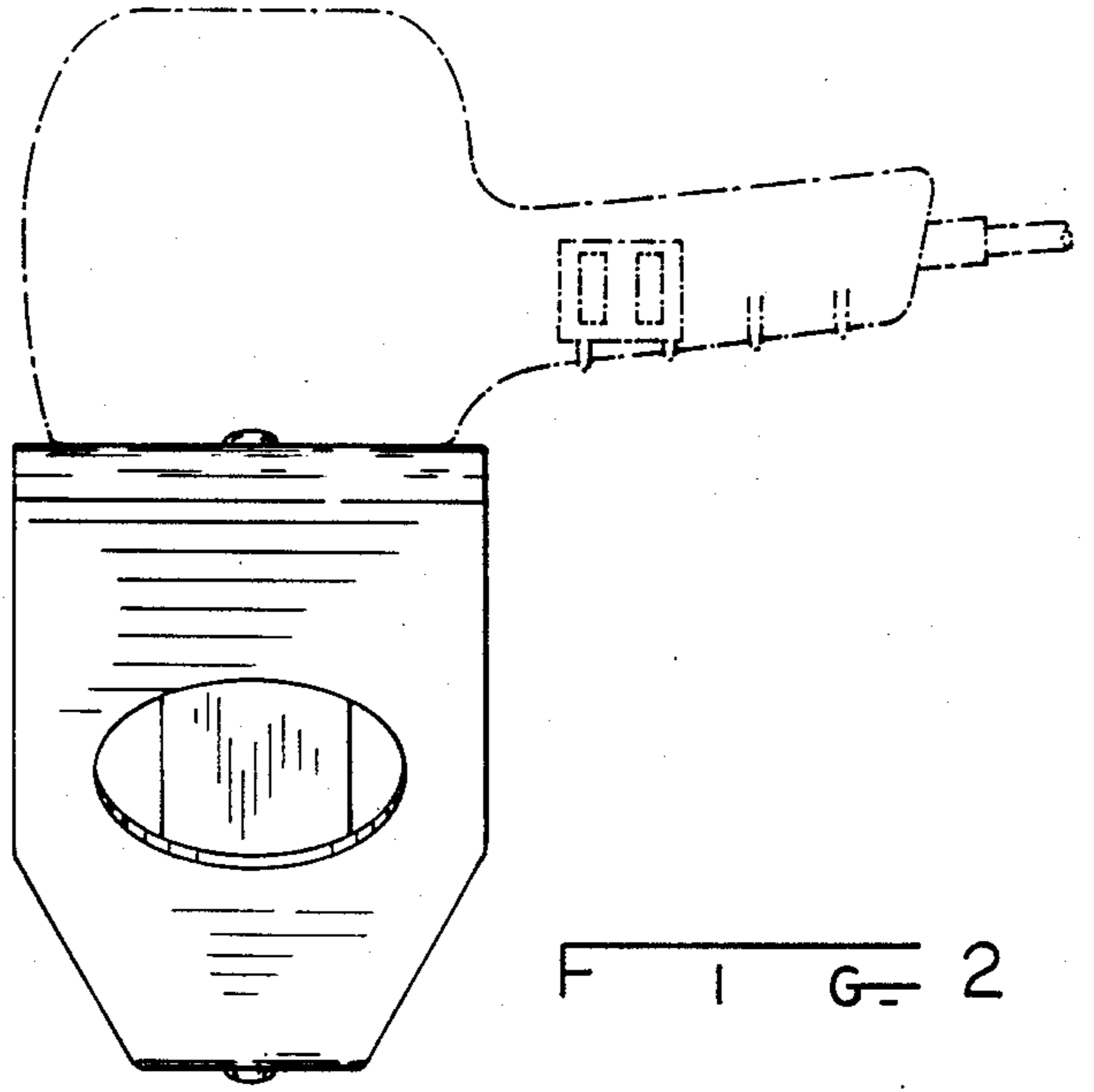


FIG. 2

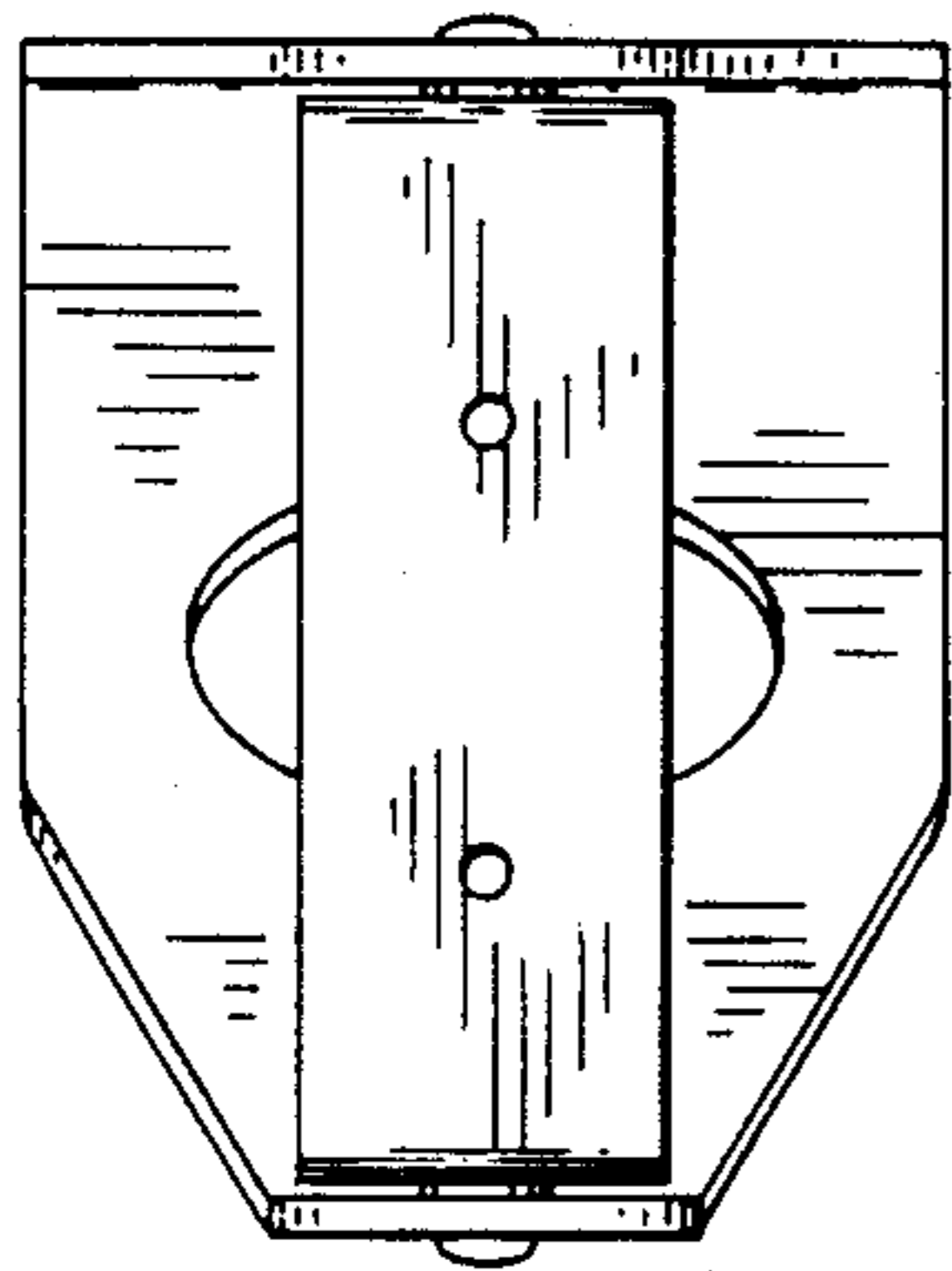


FIG. 3

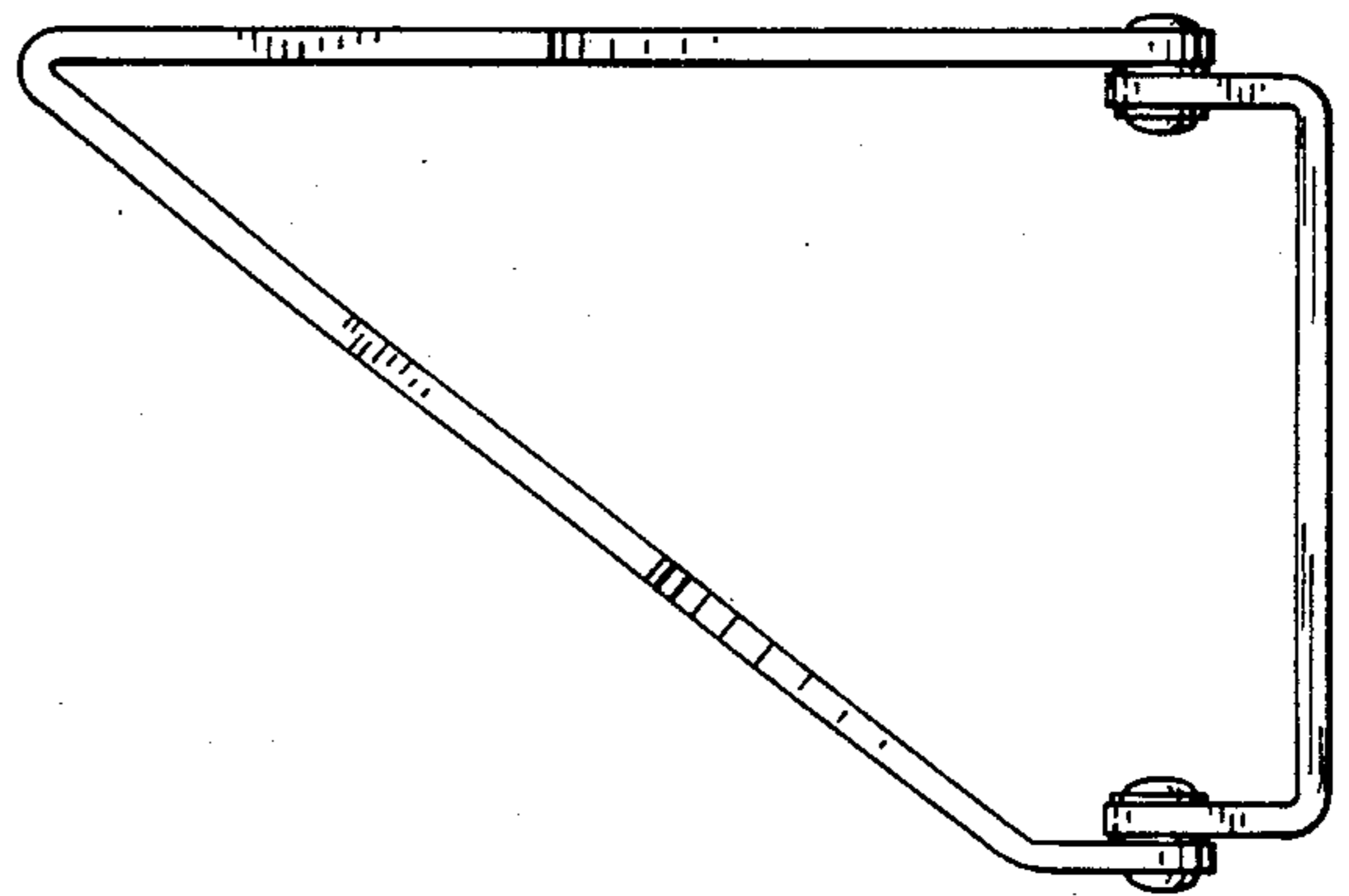


FIG. 4

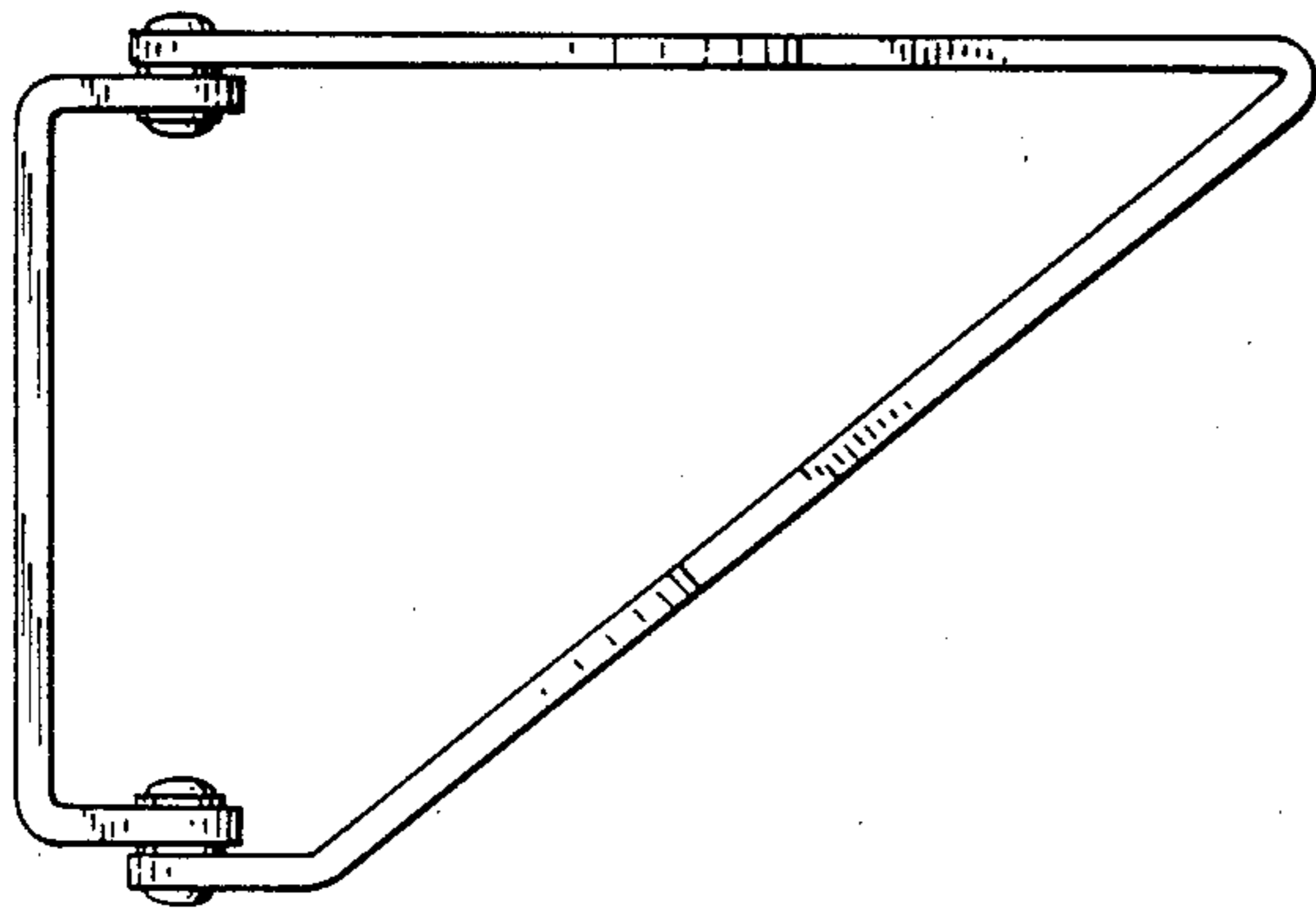


FIG. 5

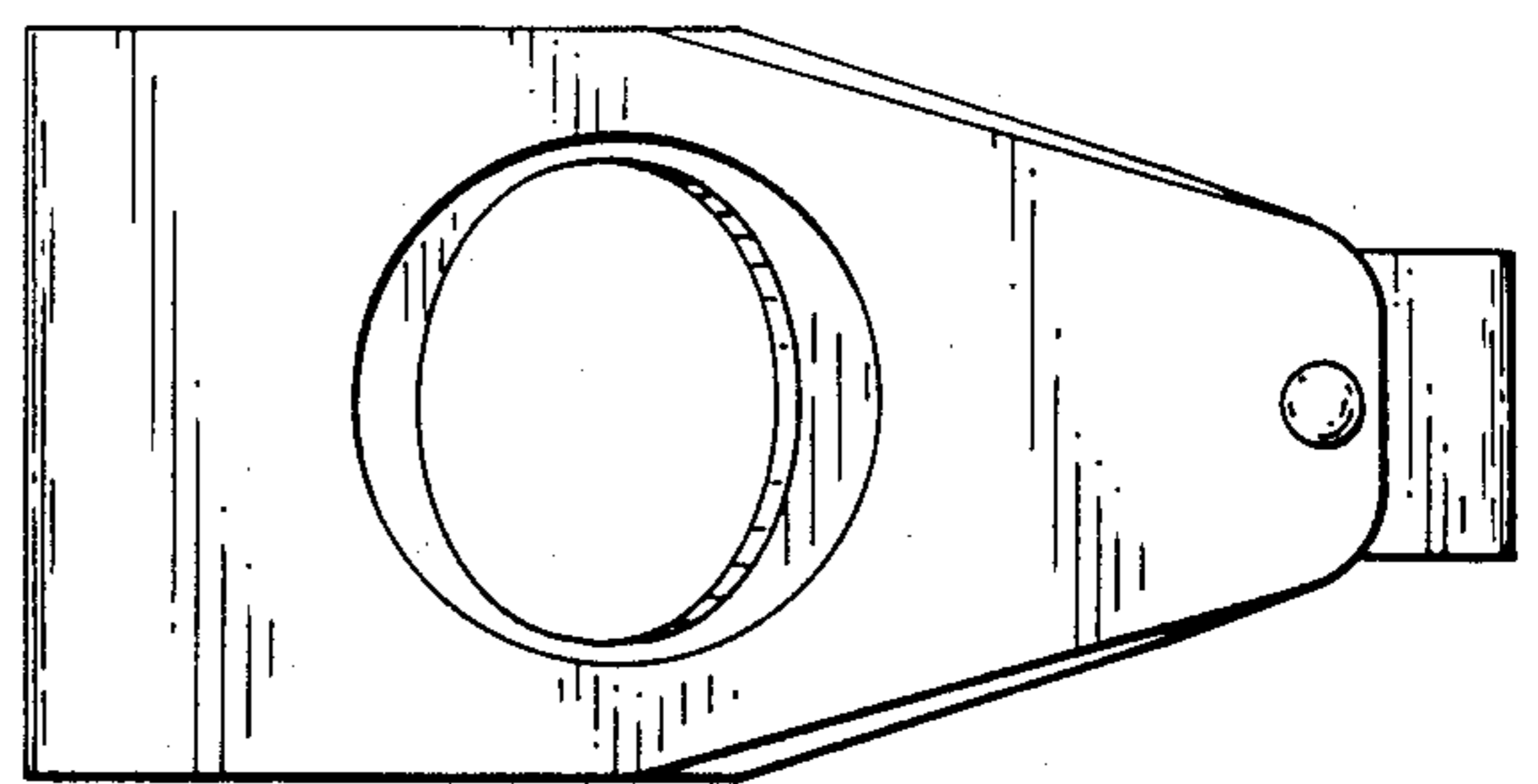


FIG. 6

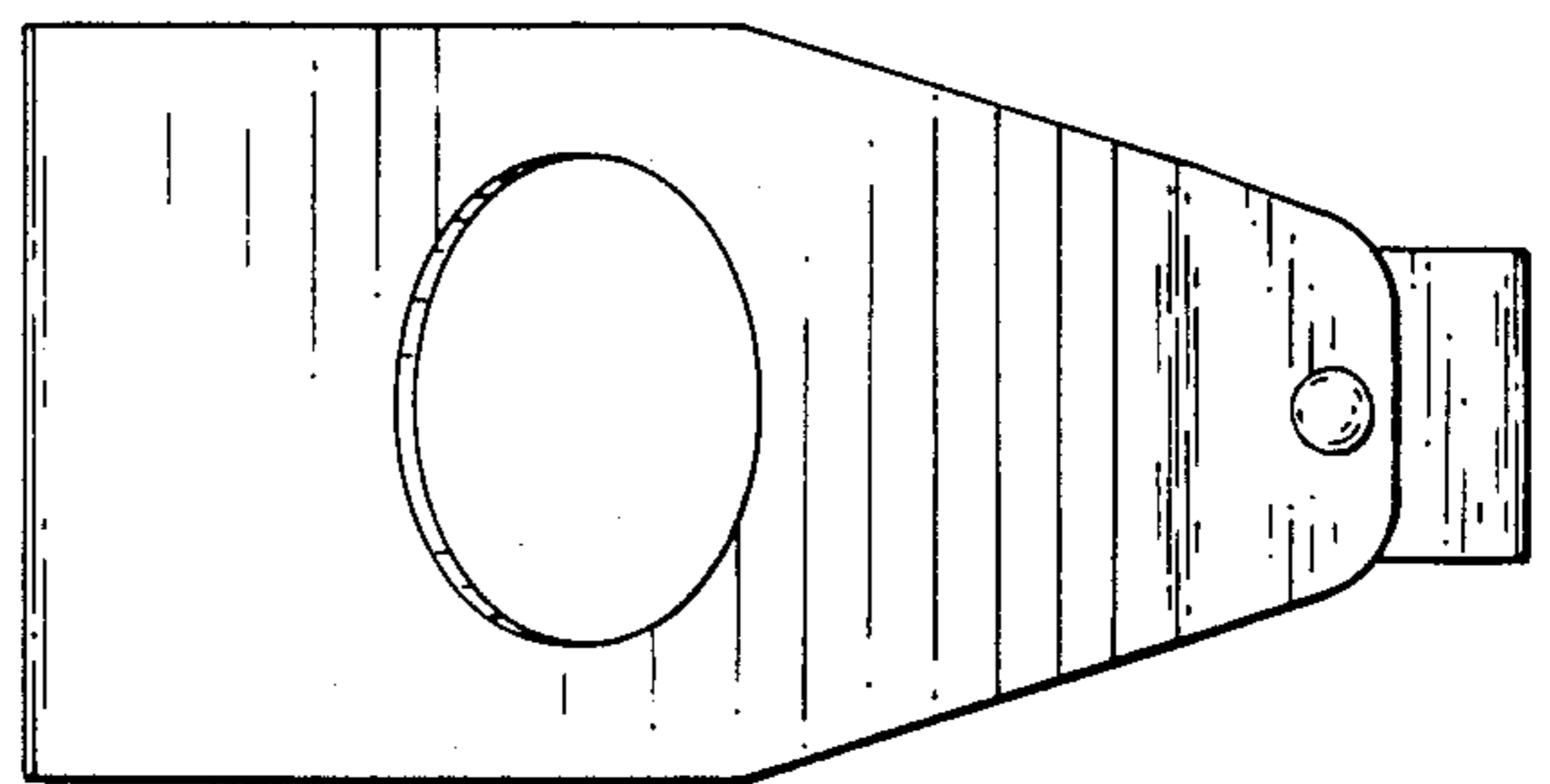


FIG. 7