

[54] **LATCH MECHANISM**

[76] **Inventor: Grant A. Haskell, 366 The Mall,  
Auckland, New Zealand**

[\*\*] **Term: 14 Years**

[21] **Appl. No.: 241,135**

[22] **Filed: Sep. 7, 1988**

[52] **U.S. Cl. .... D8/336**

[58] **Field of Search ..... D8/330-331,  
D8/336, 338-339, 341; 292/DIG. 30, DIG. 7,  
DIG. 49, 113**

[56] **References Cited**

**U.S. PATENT DOCUMENTS**

D. 306,688 3/1990 Hyde ..... D8/331  
3,970,213 7/1976 Clay ..... 292/DIG. 49 X

**OTHER PUBLICATIONS**

Eberhard Vehicle Hardware catalogue (1942) p. 21, No. 5681-Steel Case Lock.

*Primary Examiner*—Wallace R. Burke

*Assistant Examiner*—Brian N. Vinson

*Attorney, Agent, or Firm*—Fleit, Jacobson, Cohn, Price, Holman & Stern

[57] **CLAIM**

The ornamental design for a latch mechanism, as shown and described.

**DESCRIPTION**

FIG. 1 is a perspective view of a latch mechanism showing my new design;

FIG. 2 is a side elevational view thereof, the opposite side being a mirror image of that shown;

FIG. 3 is a top plan view thereof;

FIG. 4 is a bottom plan view thereof;

FIG. 5 is an end elevational view thereof; and

FIG. 6 is an opposite end elevational view thereof.

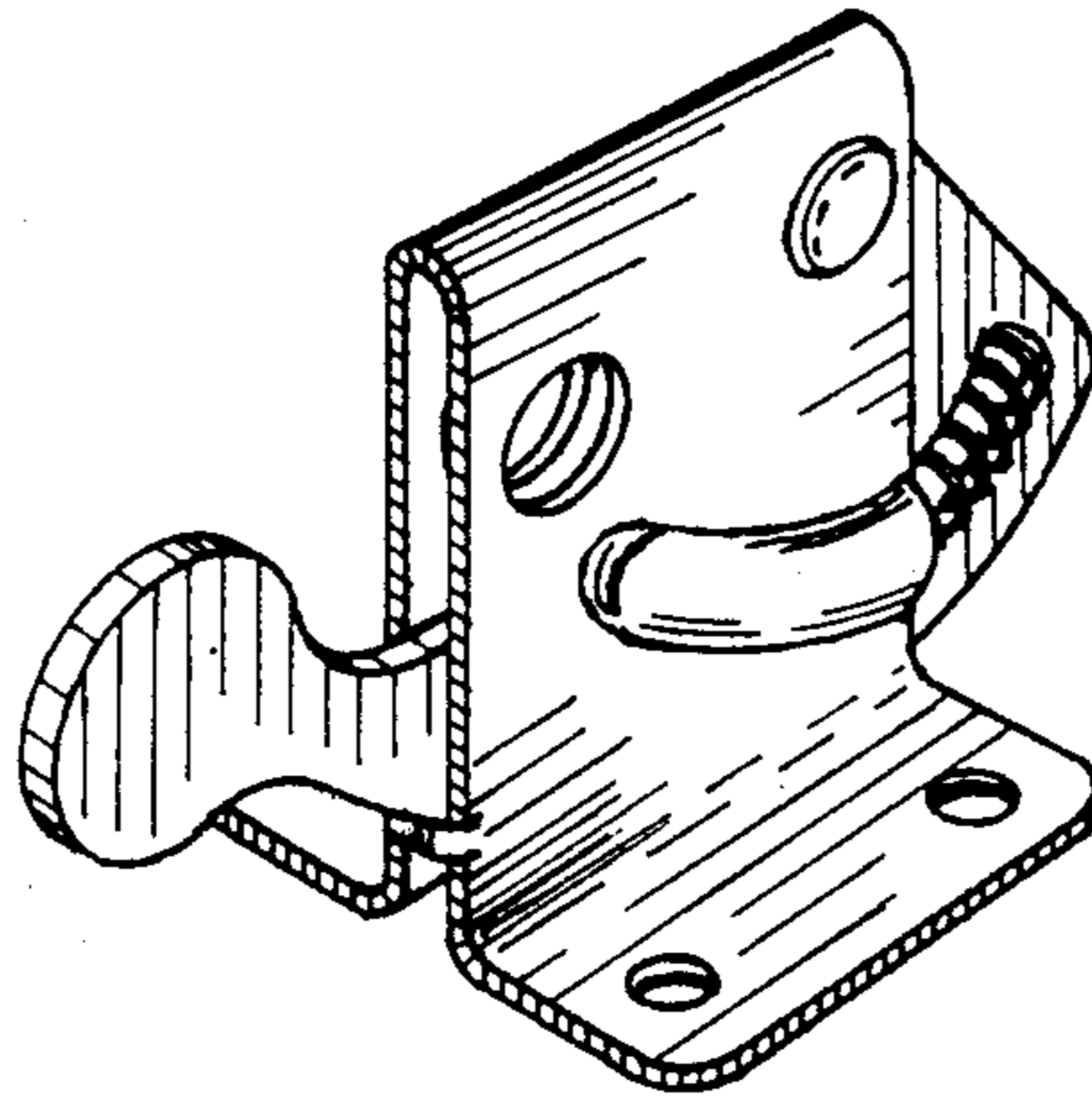


FIG. 2

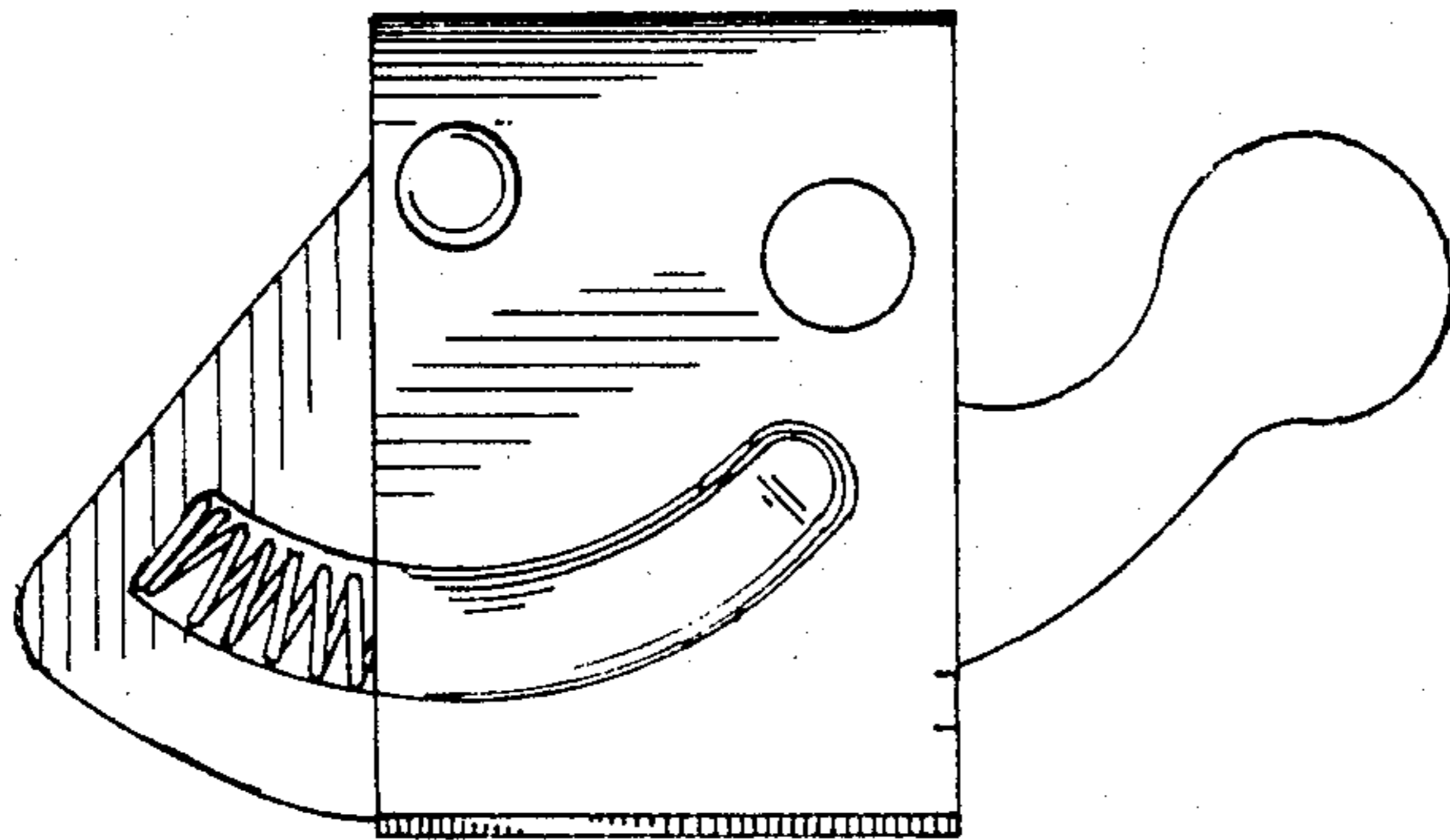


FIG. 5

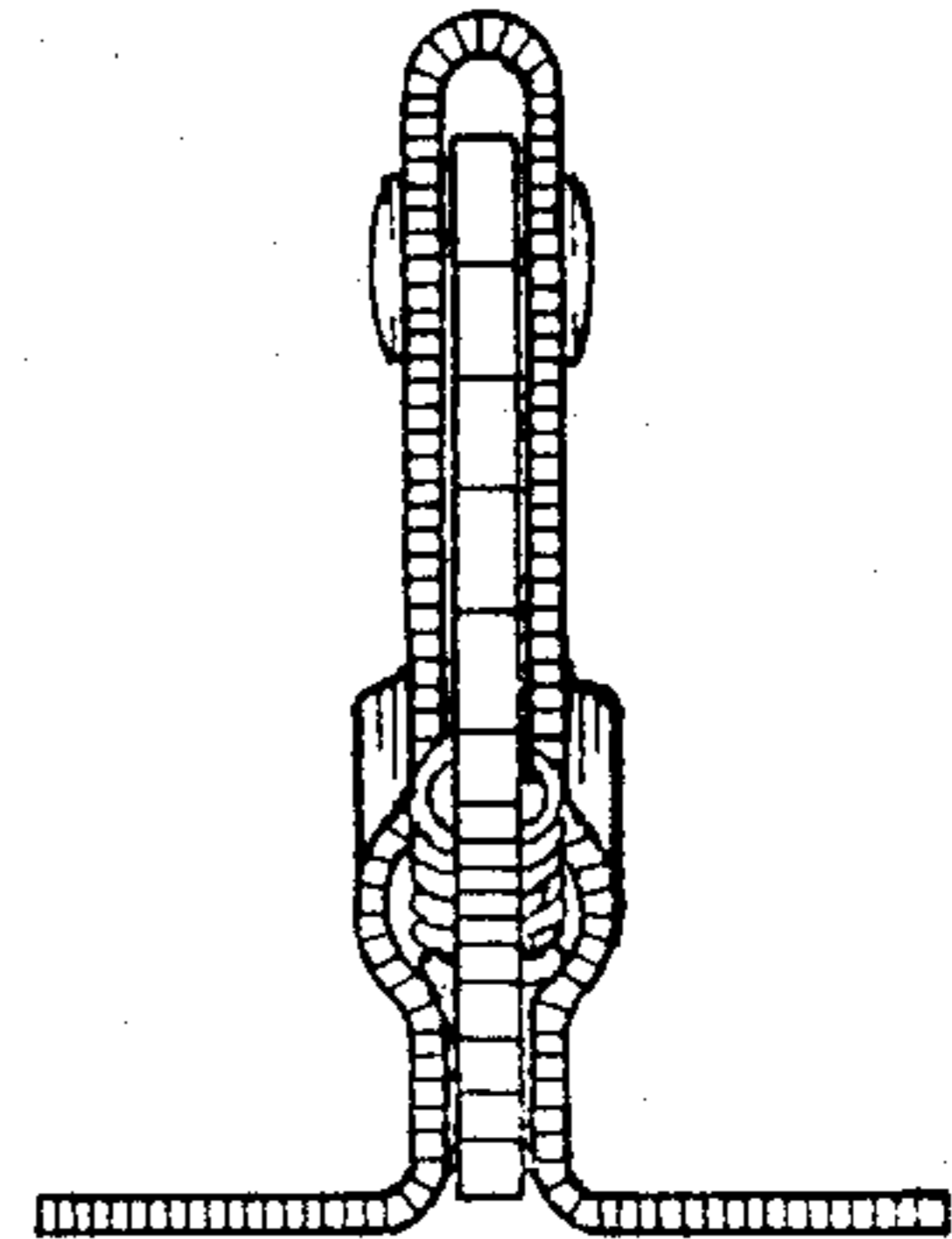


FIG. 3

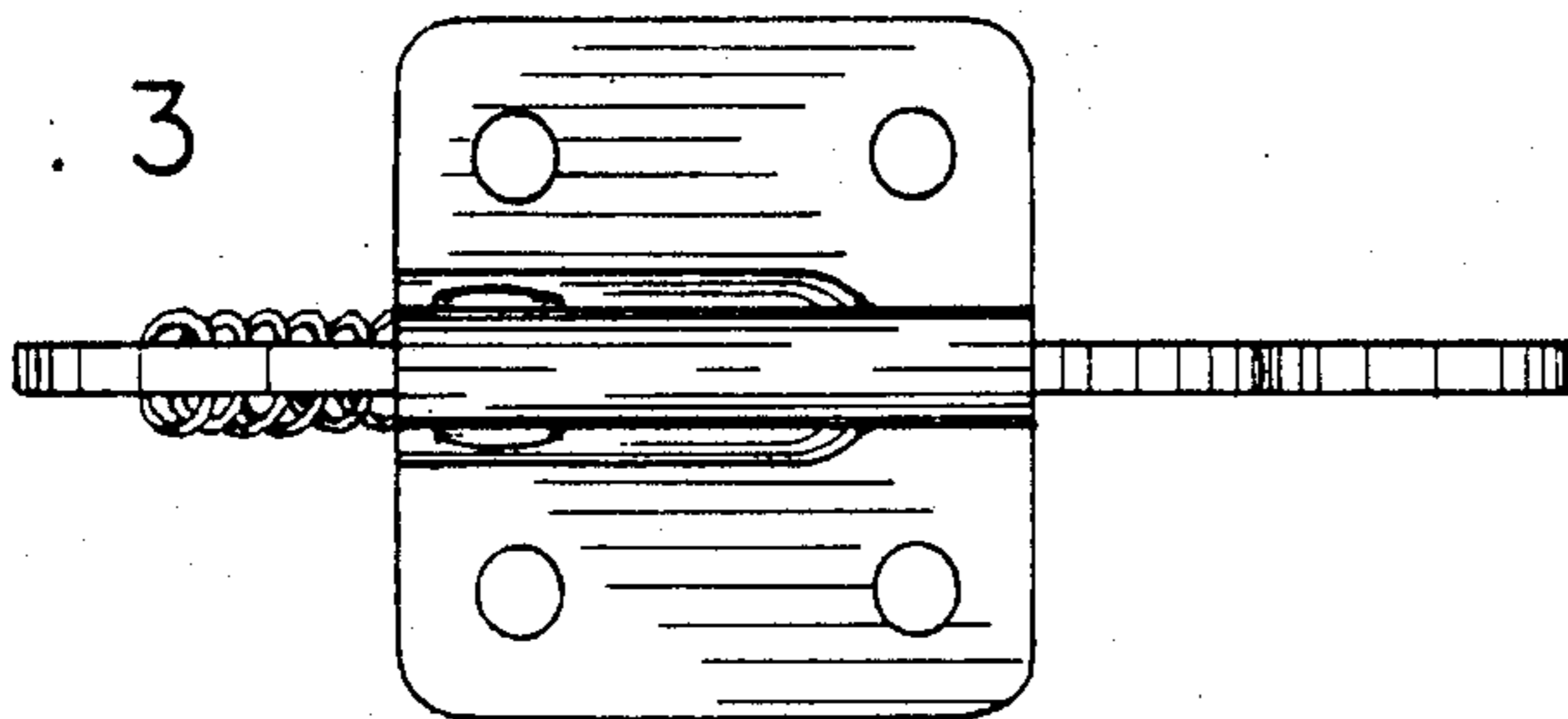


FIG. 6

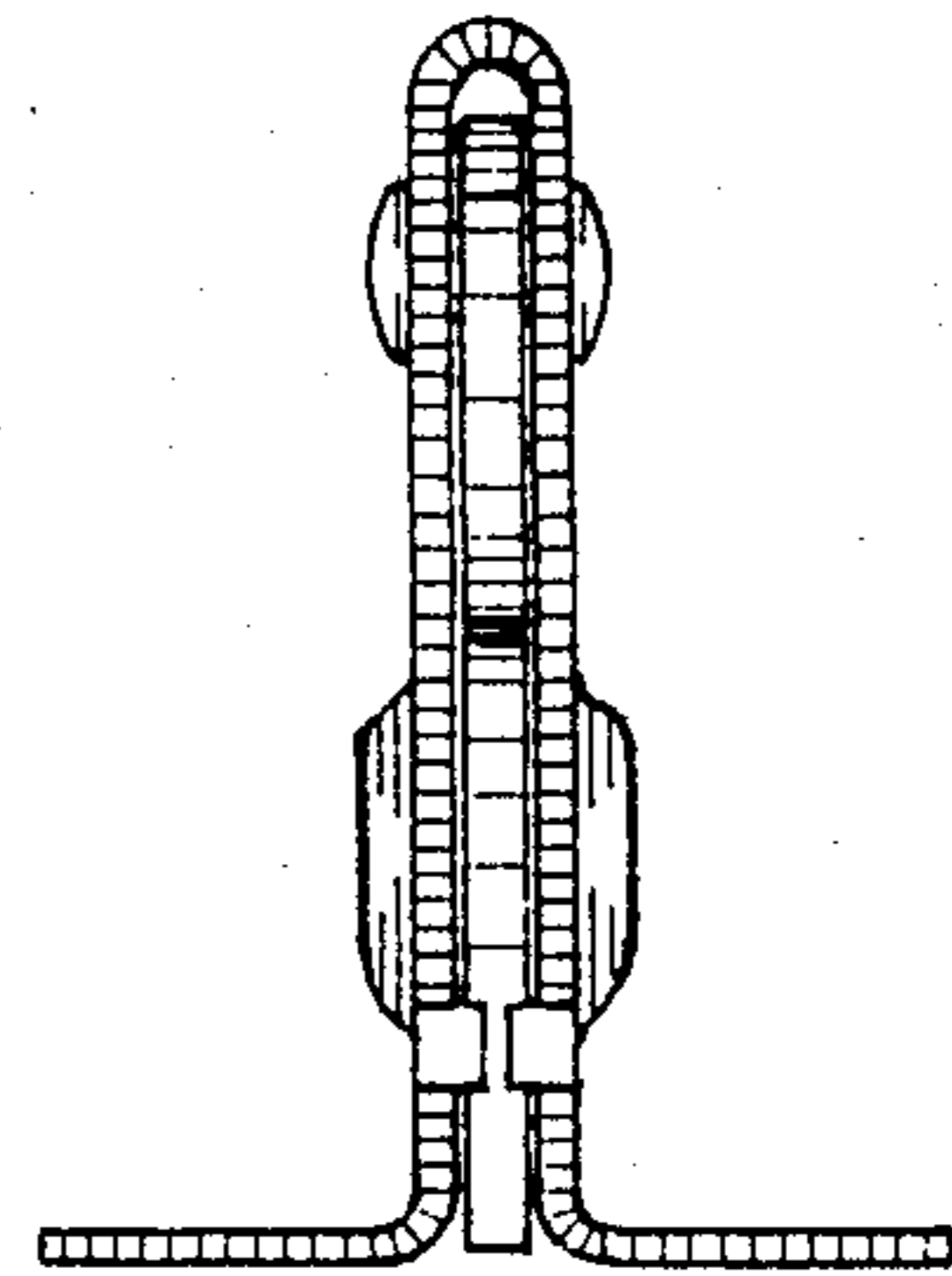


FIG. 4

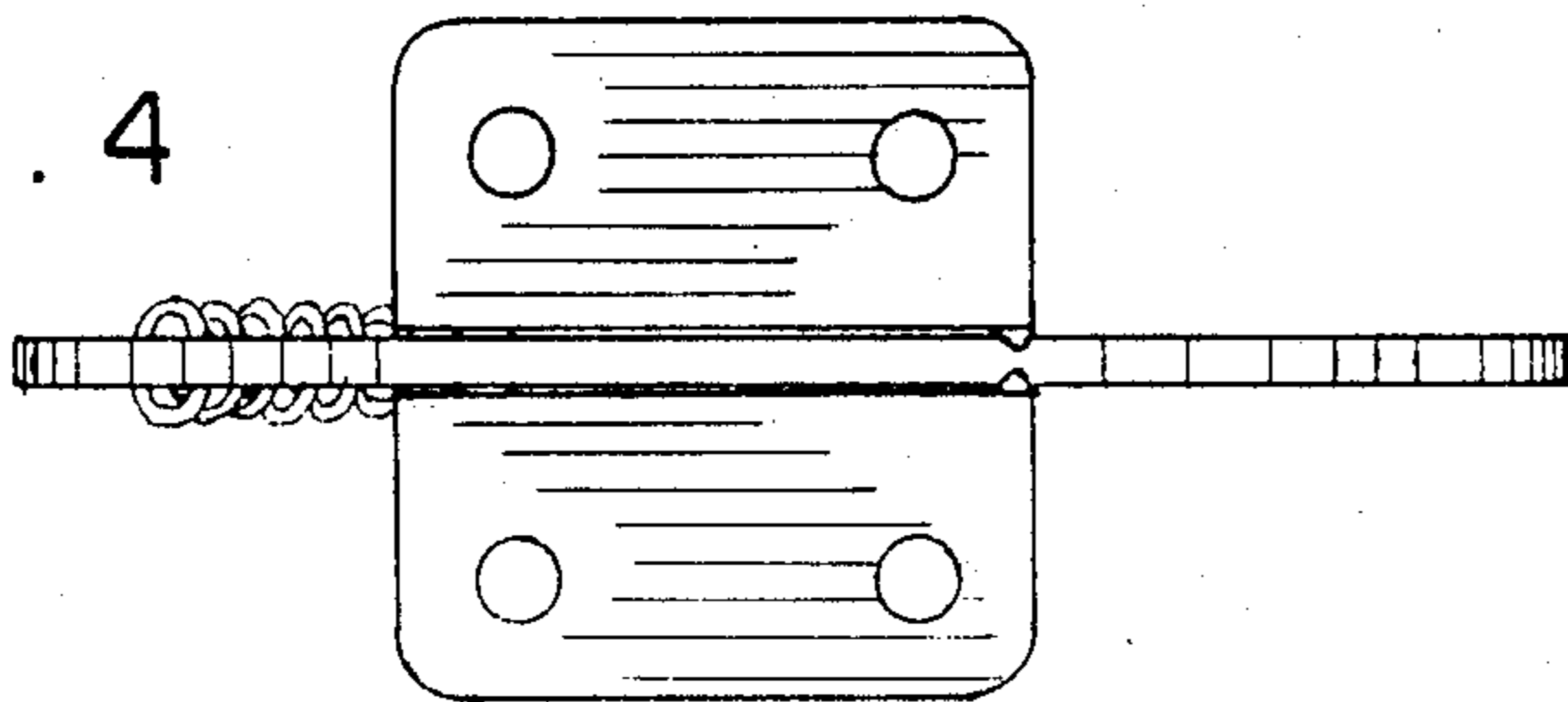


FIG. 1

