

United States Patent [19]

Williams

[11] Patent Number: Des. 313,336

[45] Date of Patent: ** Jan. 1, 1991

[54] HANDLE COVER

[75] Inventor: Vernon H. Williams, Grand Rapids, Mich.

[73] Assignee: Autostyle, Grand Rapids, Mich.

[**] Term: 14 Years

[21] Appl. No.: 13,625

[22] Filed: Feb. 11, 1987

[52] U.S. Cl. D8/322

[58] Field of Search D8/300, 322, 319;
16/110 R, 111 R, 121; 292/DIG. 2, 347

[56] References Cited

U.S. PATENT DOCUMENTS

D. 48,134 11/1915 Stewart D8/319
D. 169,698 5/1953 Rogers D8/322
D. 192,150 1/1962 Amdur et al. D8/322

1,830,383 11/1931 Bos 292/DIG. 2
2,151,195 3/1939 DeVoe et al. 16/111 R
4,082,351 4/1978 Chrones 16/121

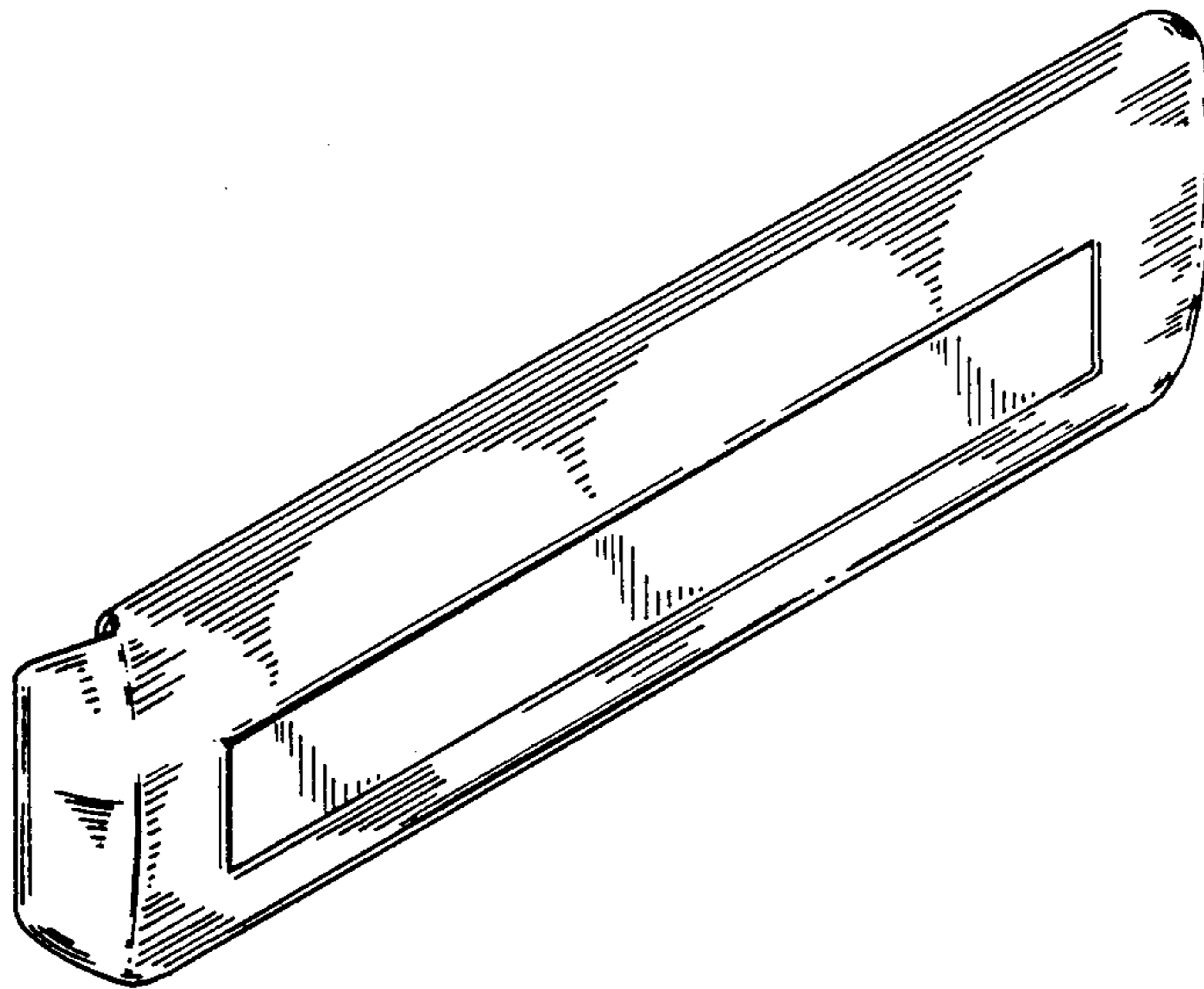
Primary Examiner—B. J. Bullock
Attorney, Agent, or Firm—Price Heneveld Cooper
DeWitt & Litton

[57] CLAIM

The ornamental design for a handle cover, as shown and described.

DESCRIPTION

FIG. 1 is a front elevational view of a handle cover showing my new design;
FIG. 2 is a top plan view thereof;
FIG. 3 is a rear elevational view thereof;
FIG. 4 is a bottom plan view thereof;
FIG. 5 is a right side elevational view thereof;
FIG. 6 is a left side elevational view thereof.



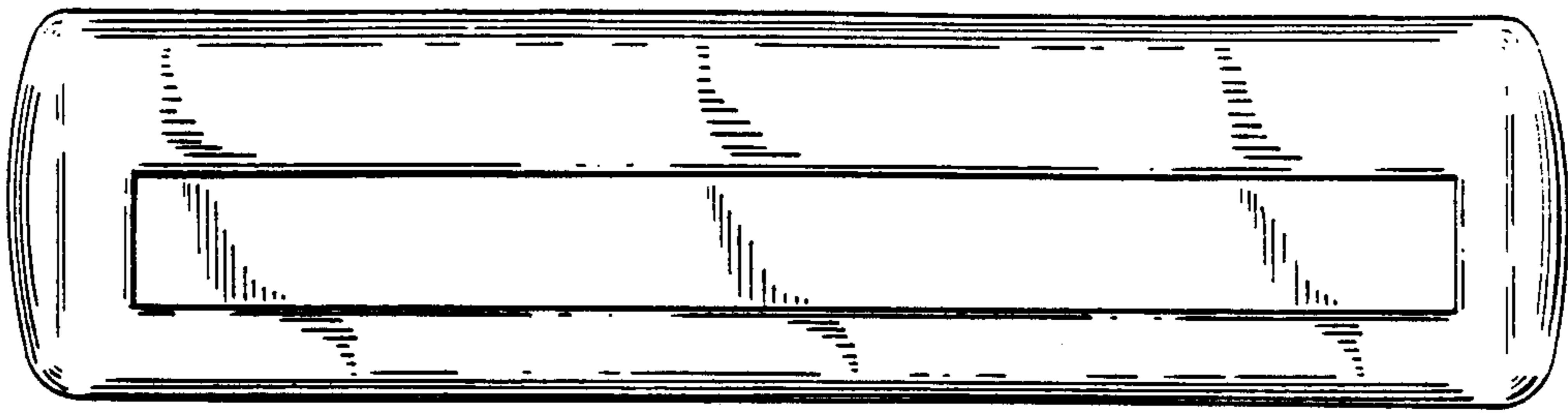


FIG. 1

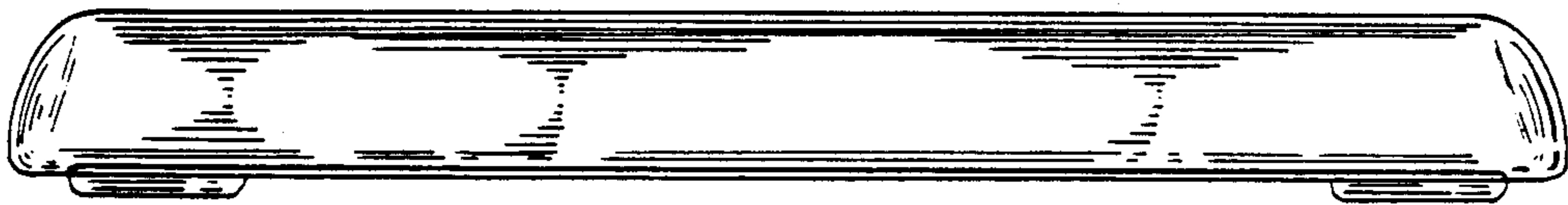


FIG. 2

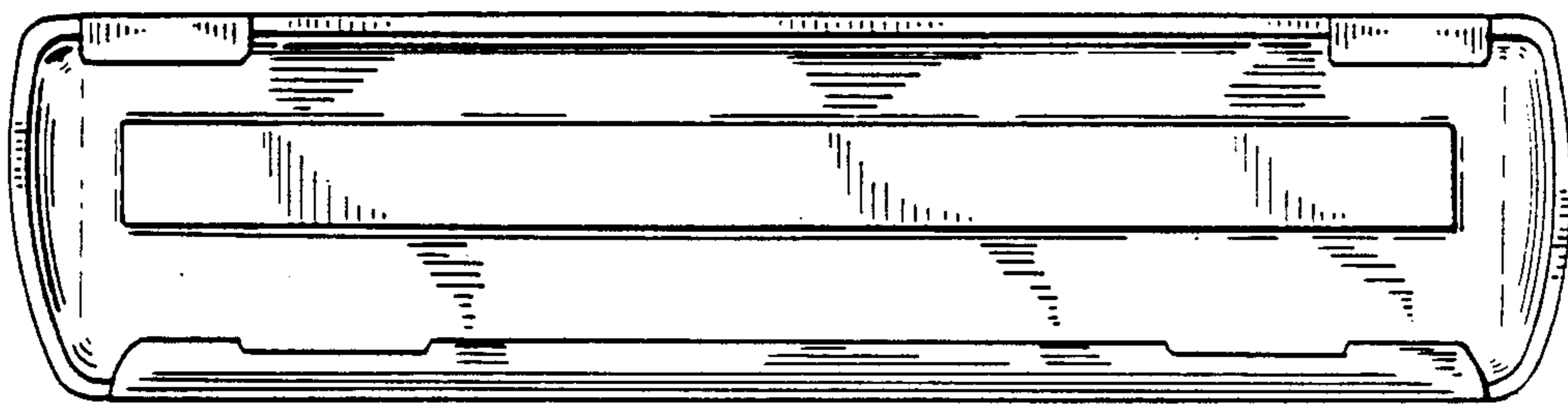


FIG. 3

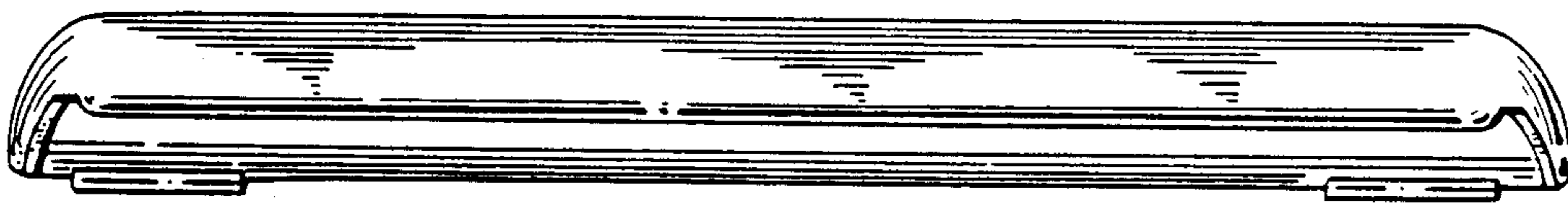


FIG. 4

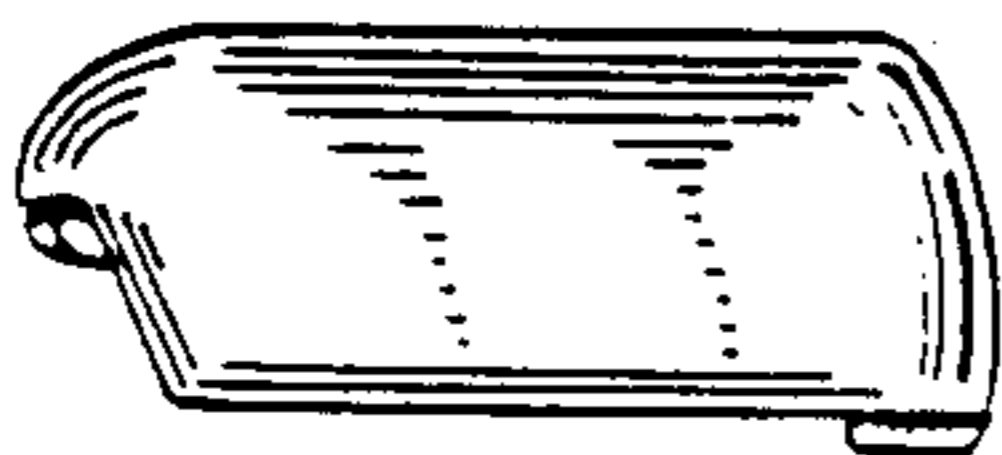


FIG. 5

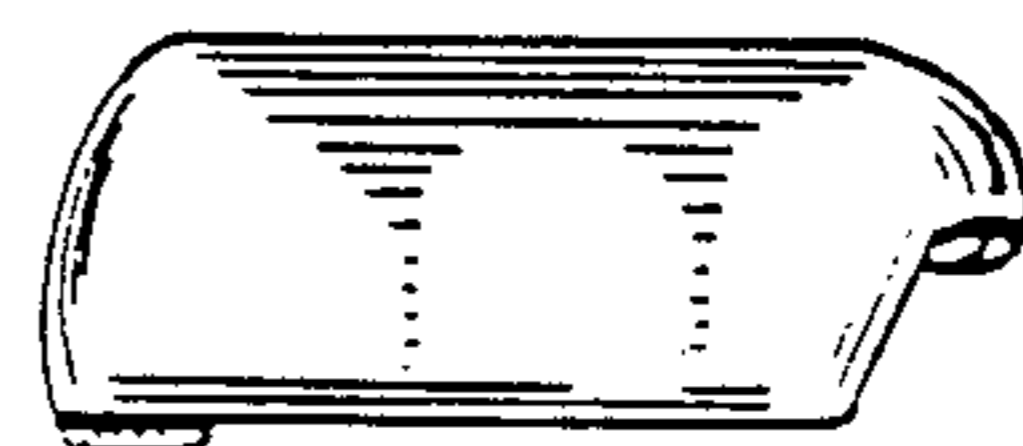


FIG. 6

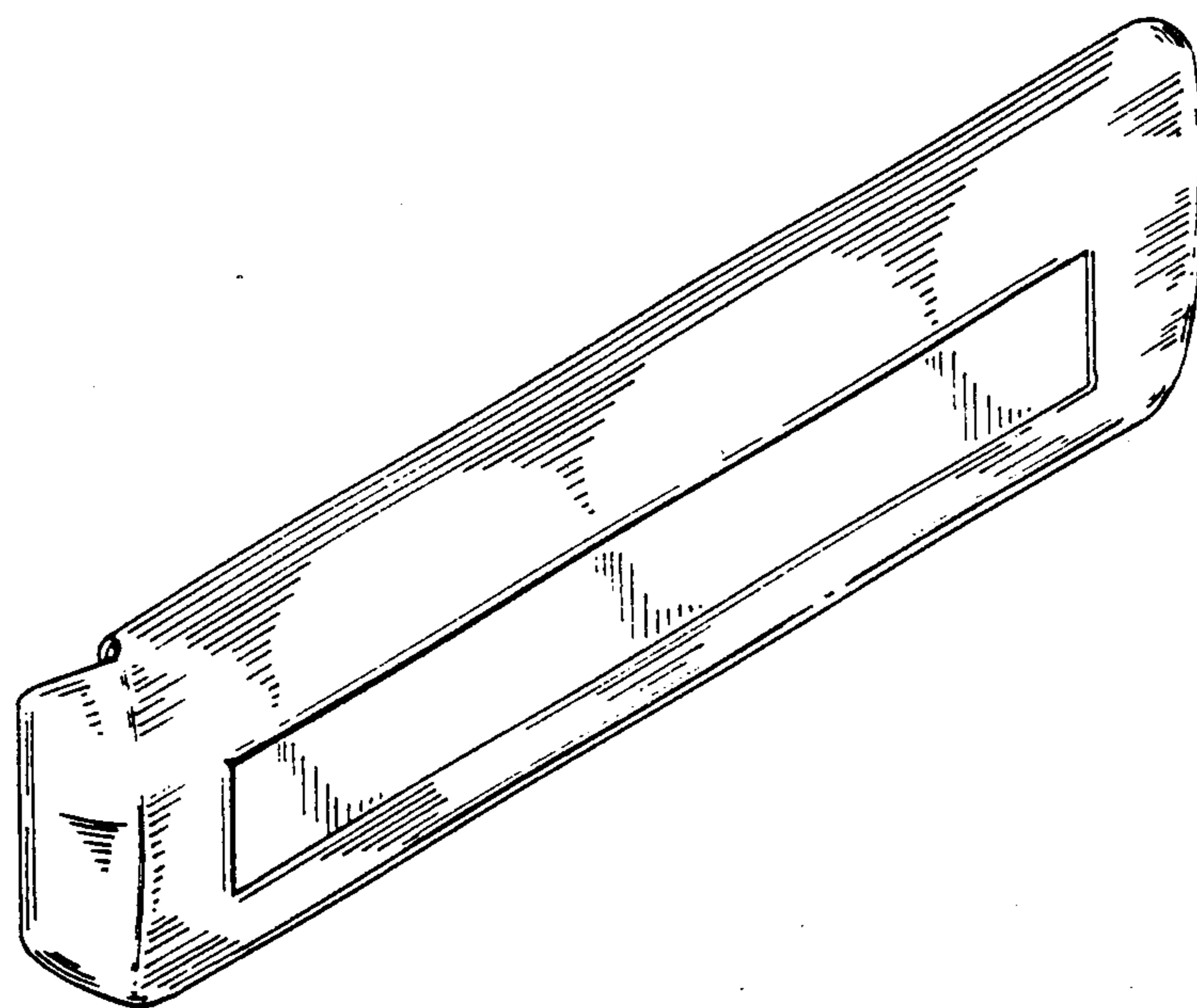


FIG. 7

UNITED STATES PATENT AND TRADEMARK OFFICE
CERTIFICATE OF CORRECTION

PATENT NO. : Des.313,336

DATED : January 1, 1991

INVENTOR(S) : Vernon H. Williams

It is certified that error appears in the above-identified patent and that said Letters Patent is hereby corrected as shown below:

In the Description, add:

--FIG. 7 is a perspective view thereof.--

**Signed and Sealed this
Sixteenth Day of February, 1993**

Attest:

STEPHEN G. KUNIN

Attesting Officer

Acting Commissioner of Patents and Trademarks