

[54] CLIPPINGS CATCHING ATTACHMENT FOR GARDEN SHEARS

[76] Inventor: Lloyd A. Novak, 6124 Sherry La., Ste. 174, Dallas, Tex. 75225

[\*\*] Term: 14 Years

[21] Appl. No.: 290,917

[22] Filed: Dec. 28, 1988

[52] U.S. Cl. .... D8/5

[58] Field of Search ..... D8/1, 4-5, D8/7-8; 30/233, 131

[56] References Cited

U.S. PATENT DOCUMENTS

D. 297,605	9/1988	Weitekamp	.....	D8/11
D. 297,903	10/1988	Ishida et al.	.....	D8/6 X
1,338,873	5/1920	Scott	.	
1,551,057	8/1925	Robinson	.	
2,281,189	4/1942	Wright	.....	30/132
2,325,734	8/1943	Bishop, Jr.	.....	30/131
2,460,616	2/1949	Appleton	.....	56/202
2,780,001	2/1957	Altmann	.....	30/132
3,073,025	1/1963	Yatsko	.....	30/132

3,212,186	10/1965	Frauenheim, Sr.	.....	30/131
3,823,472	7/1974	Richards	.....	30/131

Primary Examiner—Wallace R. Burke  
Assistant Examiner—Brian N. Vinson  
Attorney, Agent, or Firm—Richards, Medlock & Andrews

[57] CLAIM

The ornamental design for a clippings catching attachment for garden shears, as shown and described.

DESCRIPTION

FIG. 1 is a perspective view of a clippings catching attachment for garden shears showing my new design, the broken-line depiction of the shears being for illustrative purposes only and forming no part of the claimed design;

FIG. 2 is an enlarged top plan view thereof;

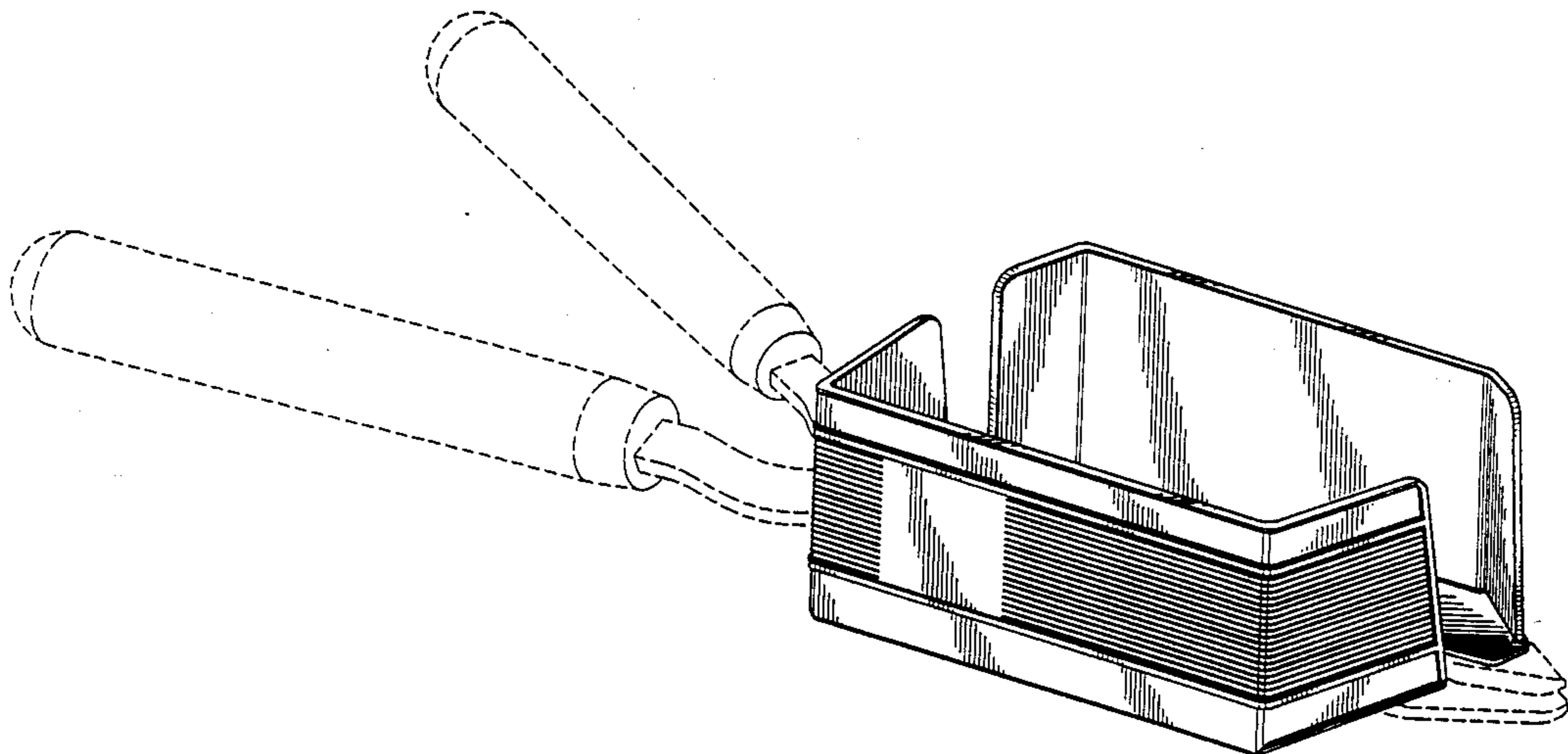
FIG. 3 is an enlarged left side elevational view thereof;

FIG. 4 is an enlarged rear end elevational view thereof;

FIG. 5 is an enlarged front end elevational view thereof;

FIG. 6 is an enlarged right side elevational view thereof; and

FIG. 7 is an enlarged bottom plan view thereof.



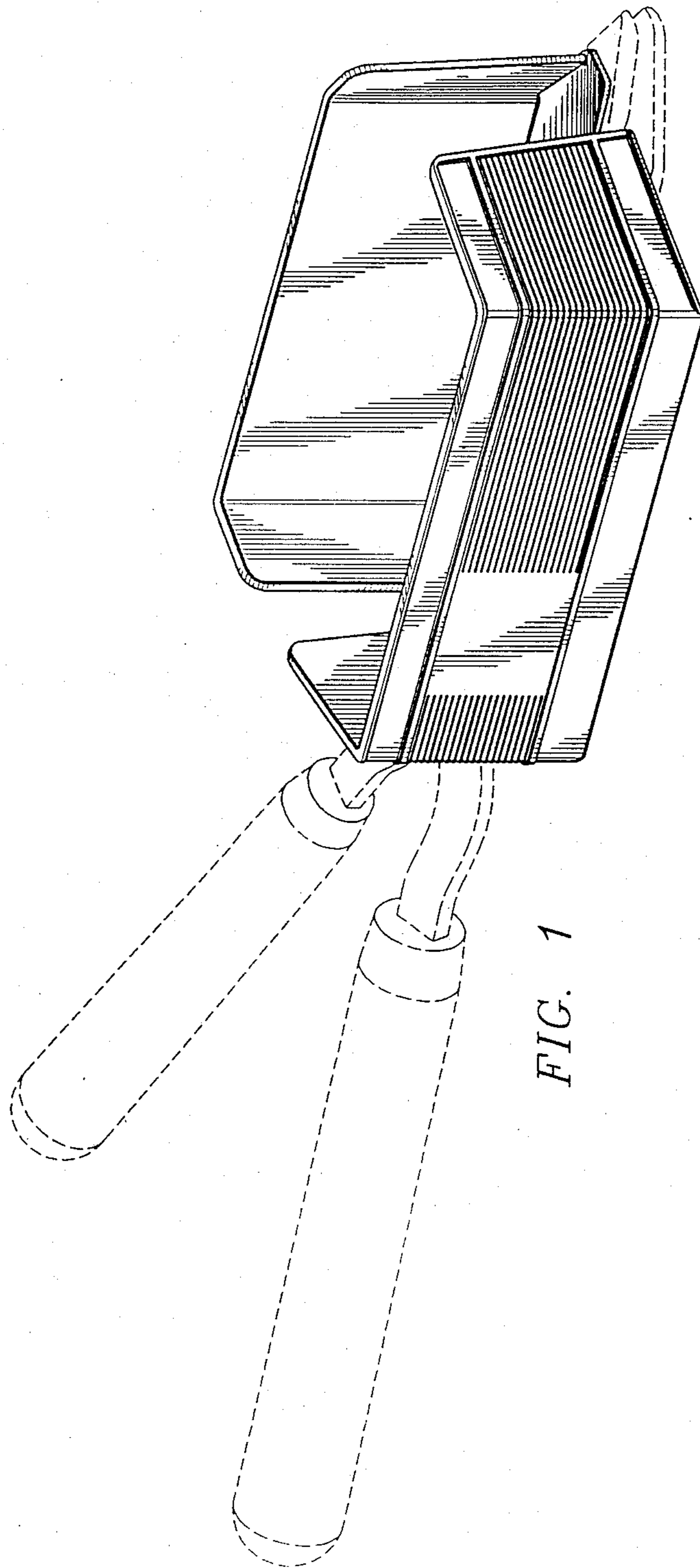


FIG. 1

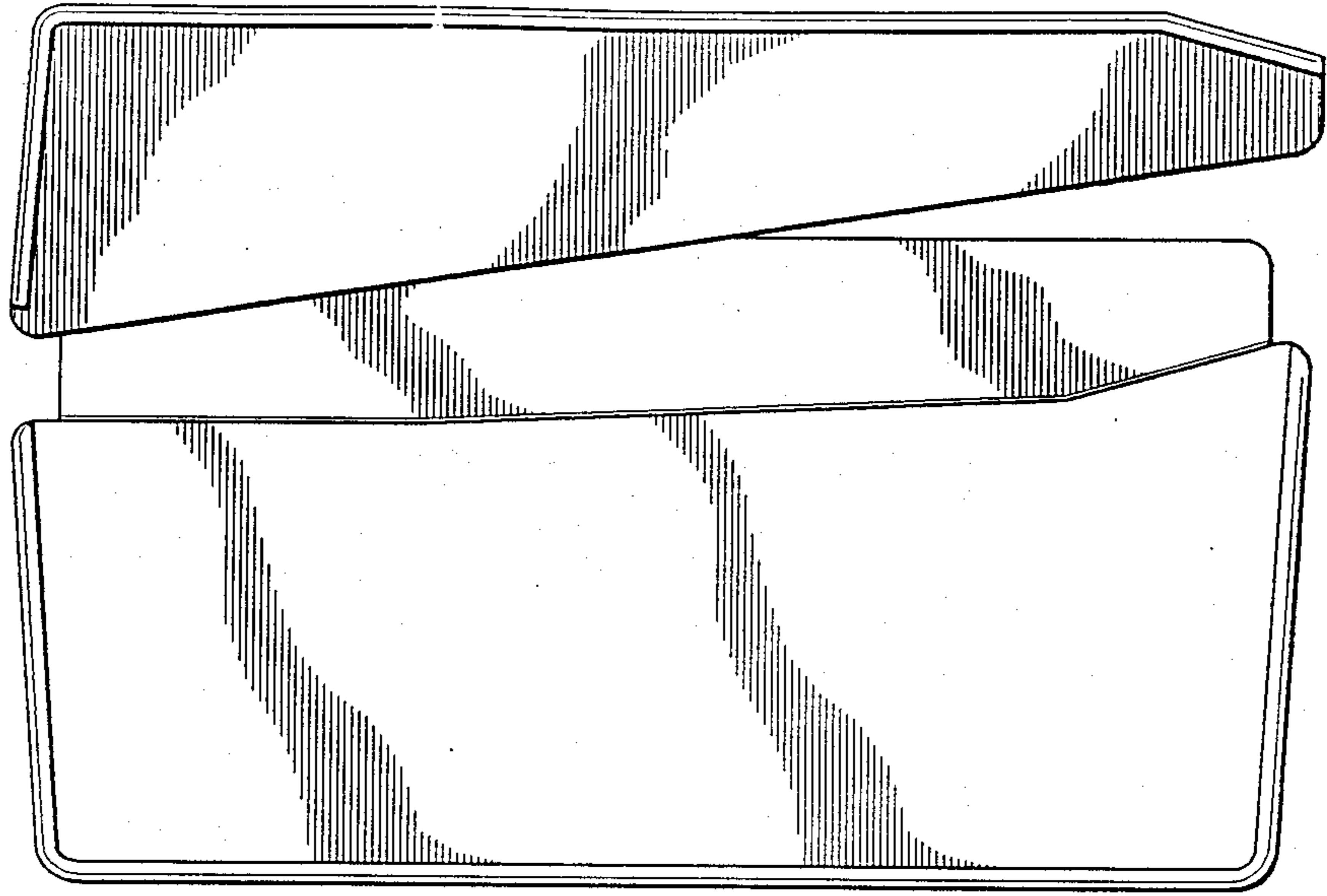


FIG. 2

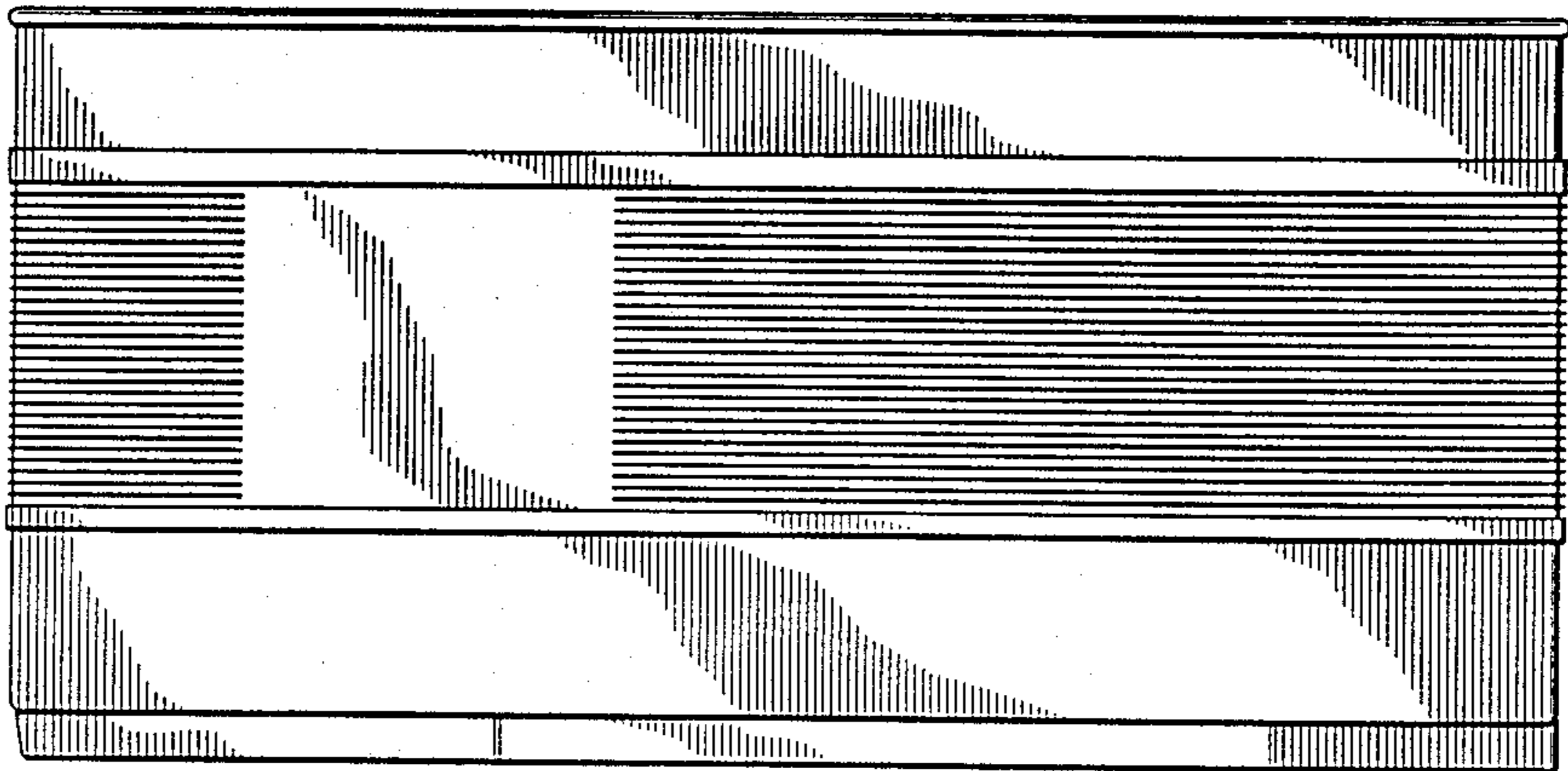


FIG. 3

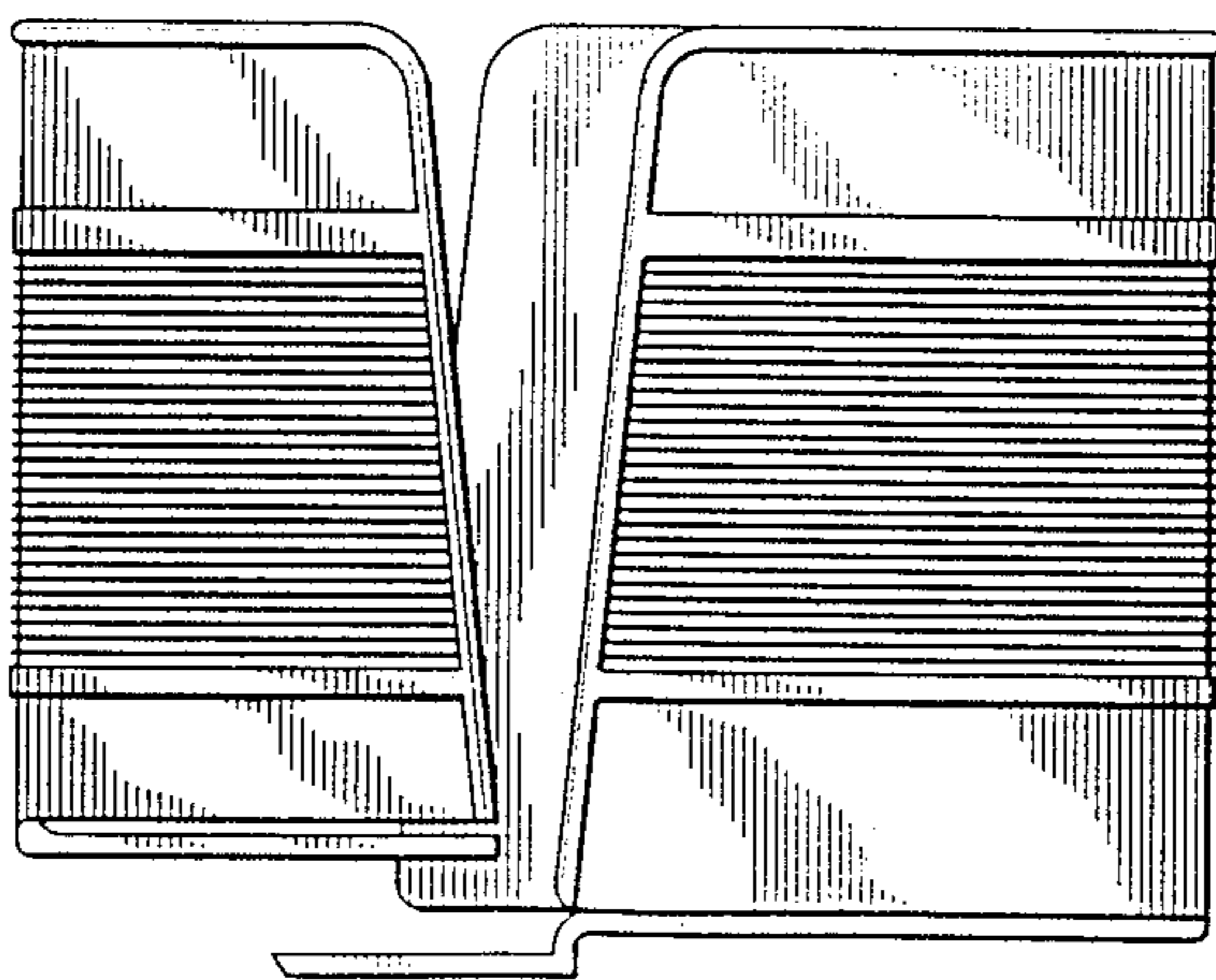


FIG. 4

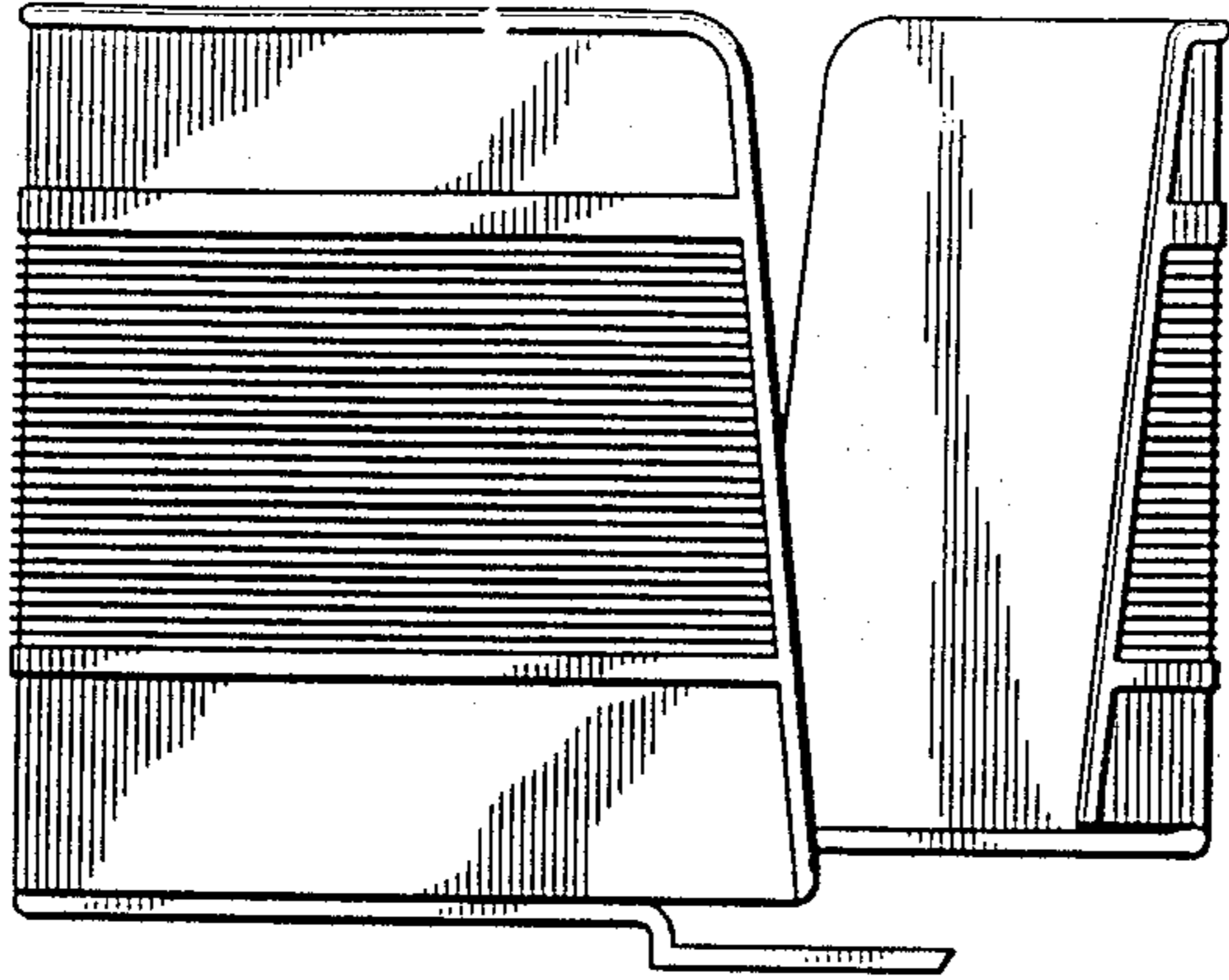


FIG. 5

FIG. 6

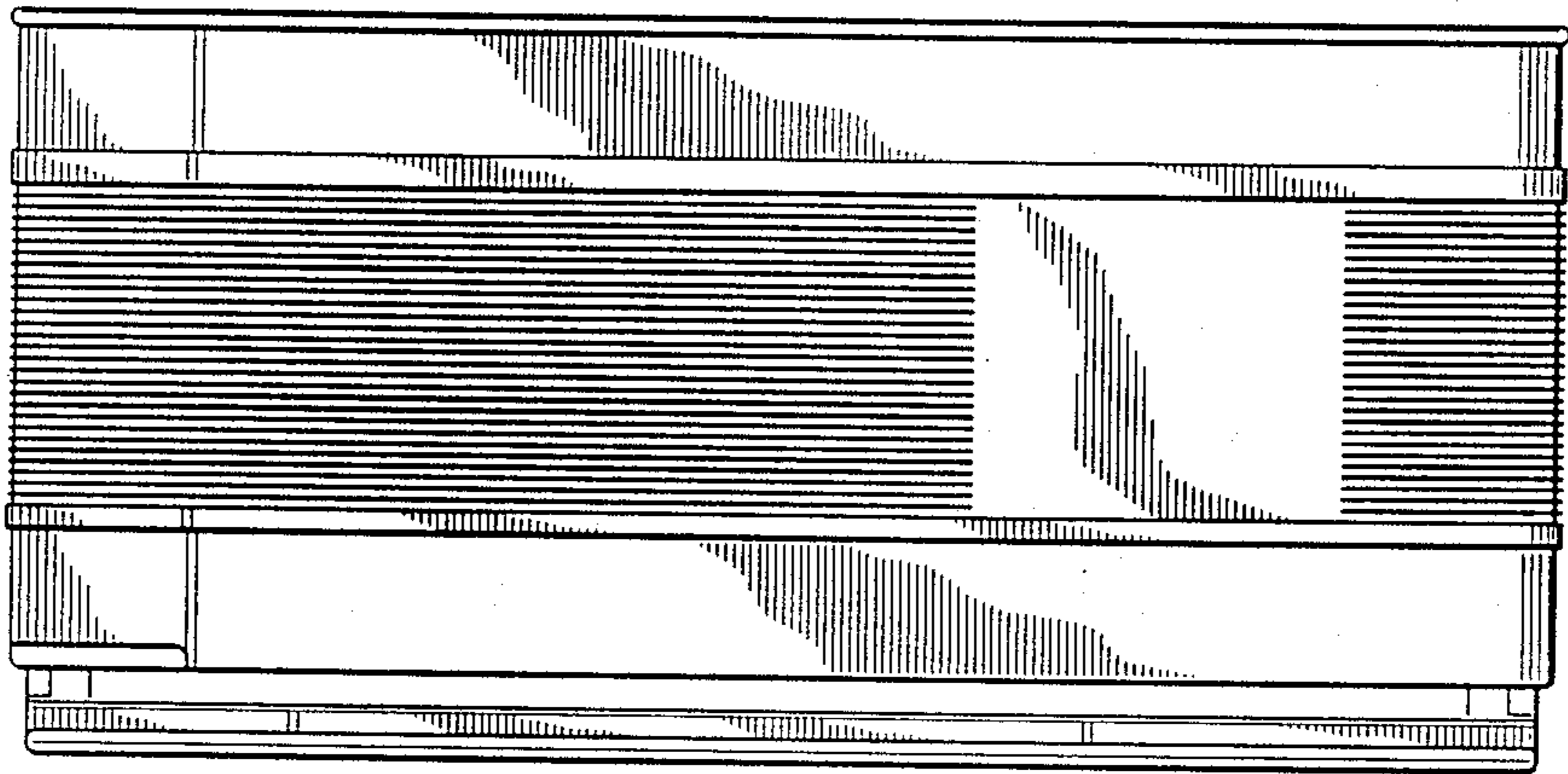


FIG. 7

