

[54] **DISPLAY RACK**

[76] **Inventors: James T. Harman; Cindy M. Harman,**  
both of 703 Hamilton Ct., Altamonte  
Springs, Fla. 32701

[\*\*] **Term: 14 Years**

[21] **Appl. No.: 141,889**

[22] **Filed: Jan. 11, 1988**

[52] **U.S. Cl. .... D6/458**

[58] **Field of Search ..... D6/458, 455, 415, 408,**  
D6/462, 419, 407, 466, 467; 211/59.1, 57.1, 163

[56] **References Cited**

**U.S. PATENT DOCUMENTS**

- D. 41,688 8/1911 Hohner ..... 211/163 X
- D. 51,942 4/1918 Van Raalte ..... D6/455
- D. 250,616 12/1978 Cofer ..... D6/458 X

- D. 296,163 6/1988 Curio ..... D6/415
- 786,737 4/1905 Douglass et al. .... 211/163 X
- 4,282,976 8/1981 Fitzgerald ..... 211/163 X

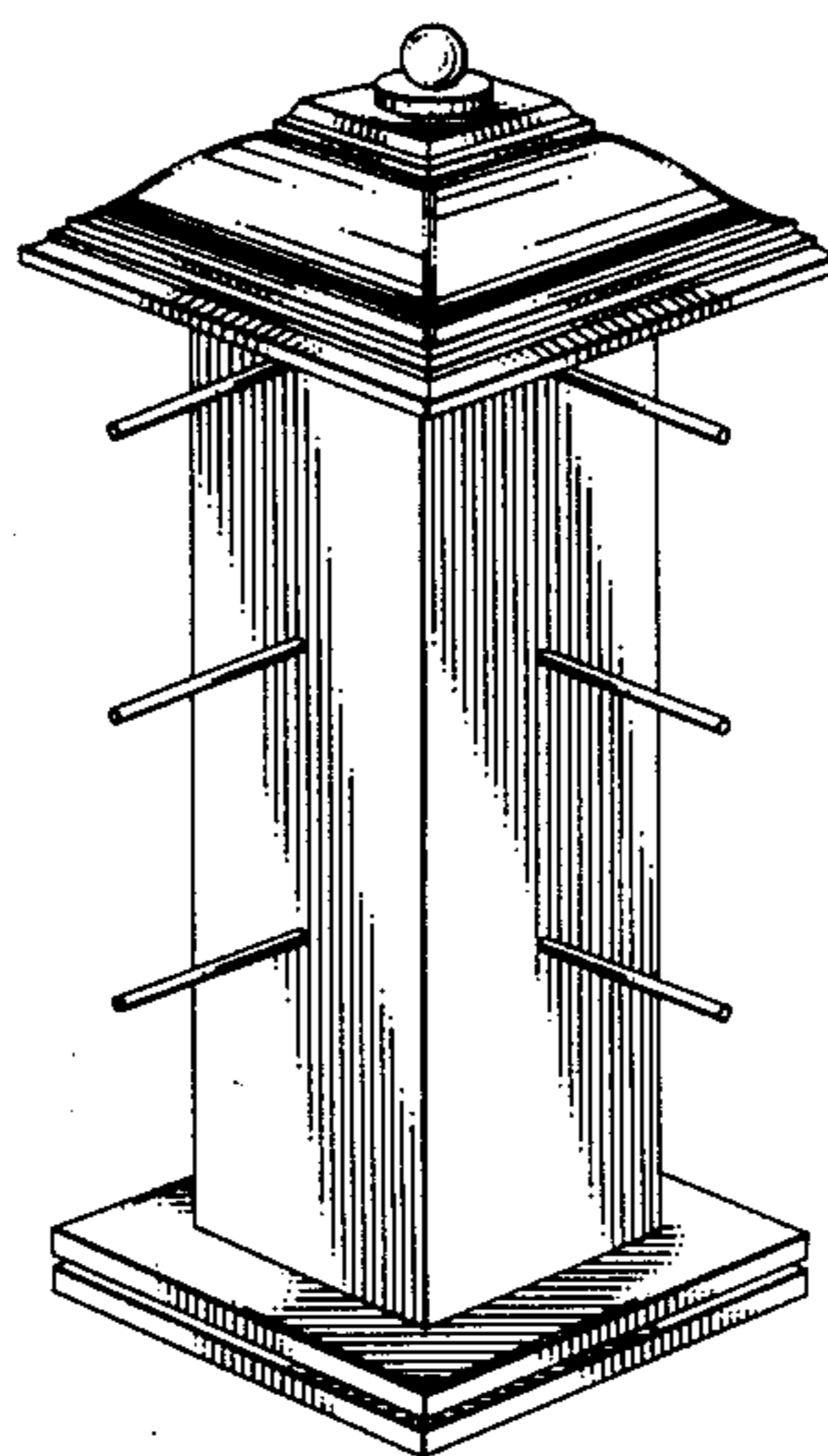
*Primary Examiner*—Bruce W. Dunkins  
*Assistant Examiner*—Jeffrey Asch  
*Attorney, Agent, or Firm*—William M. Hobby, III

[57] **CLAIM**

The ornamental design for a display rack design, as shown and described.

**DESCRIPTION**

FIG. 1 is a front and left side perspective view of a display rack showing our new design; FIG. 2 is a rear elevational view thereof; FIG. 3 is a top plan view thereof; and FIG. 4 is a bottom plan view thereof. The right side not shown is the same in appearance as the rear view as shown in FIG. 2.



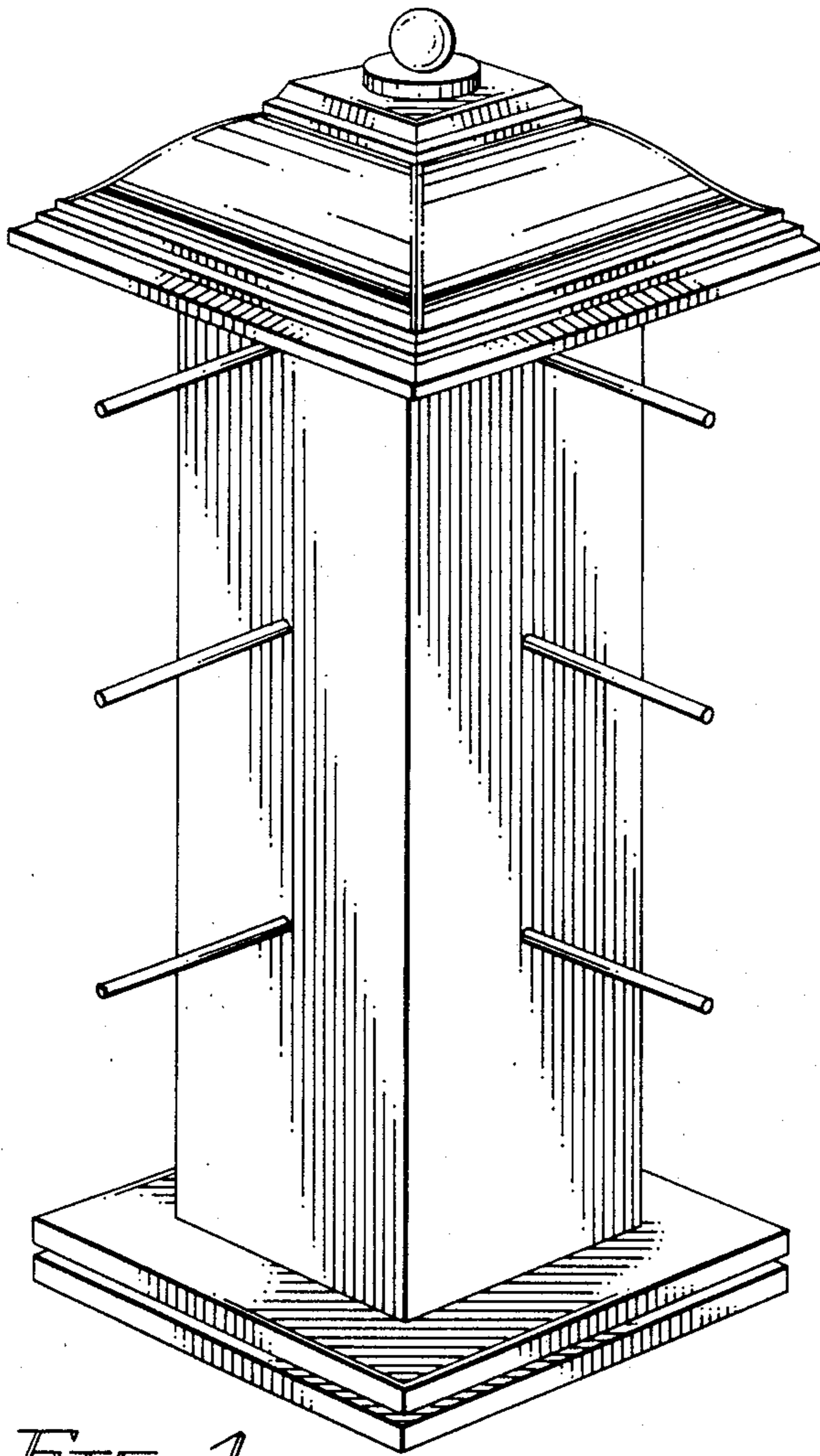


FIG. 1

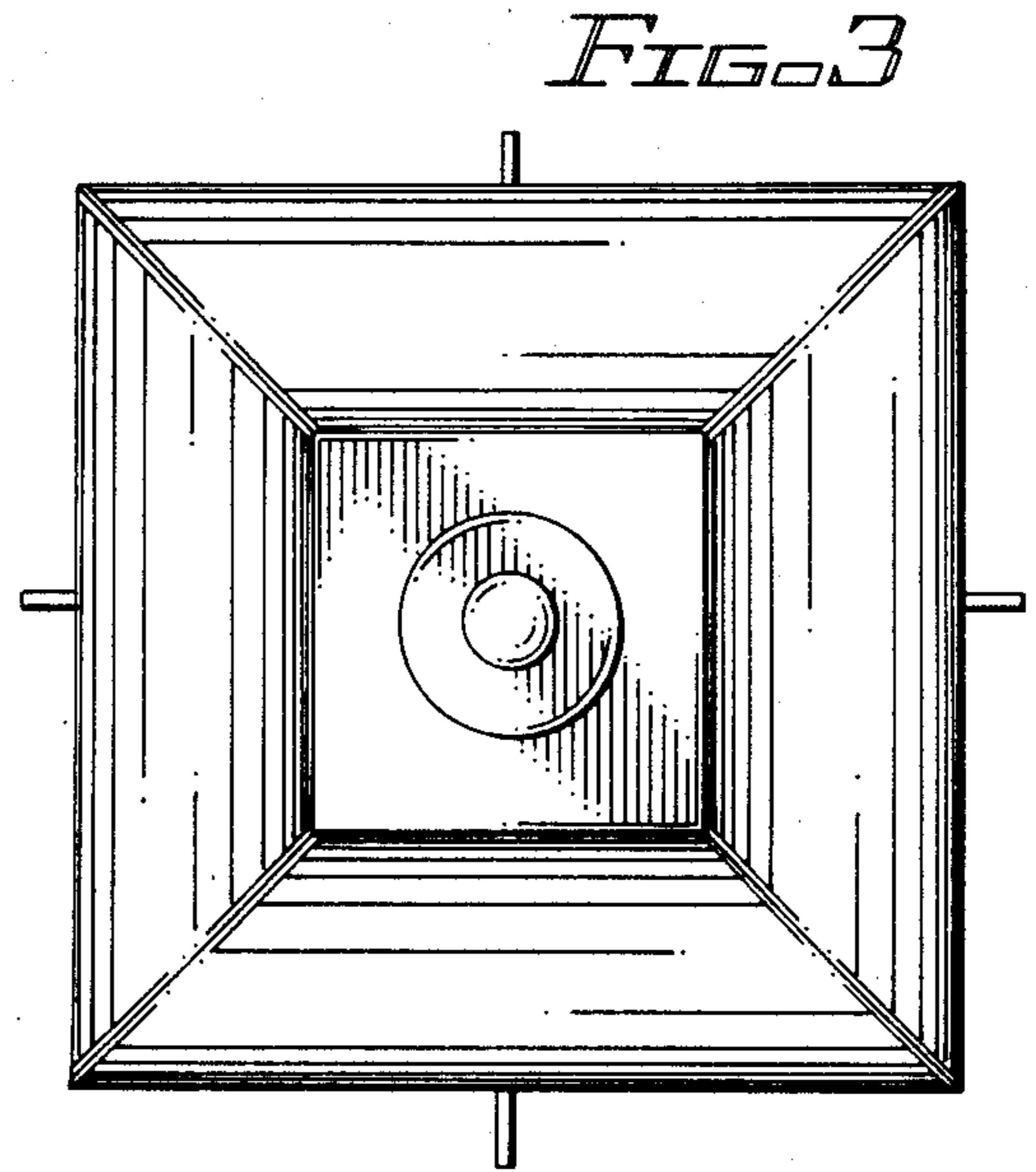


FIG. 3

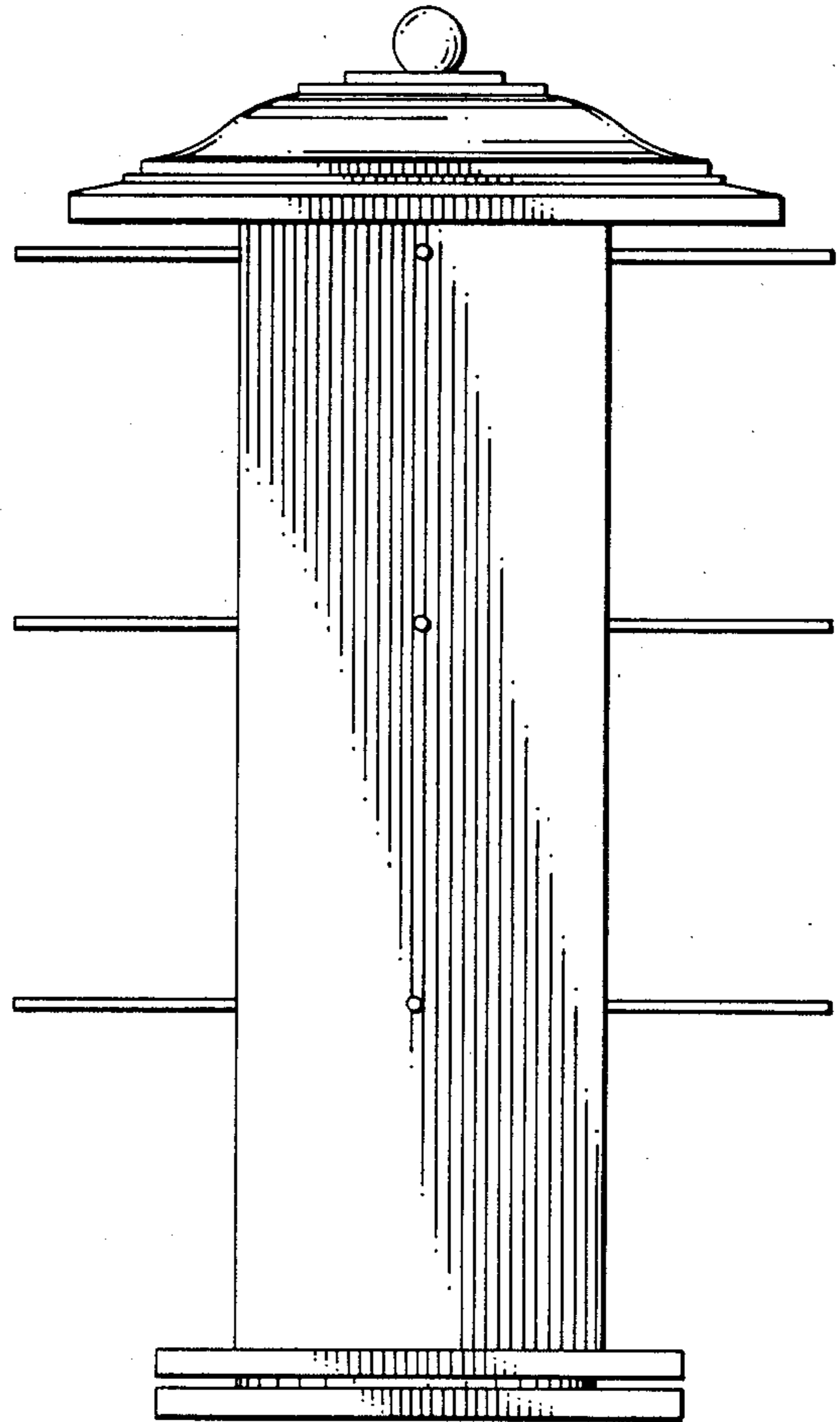


FIG. 2

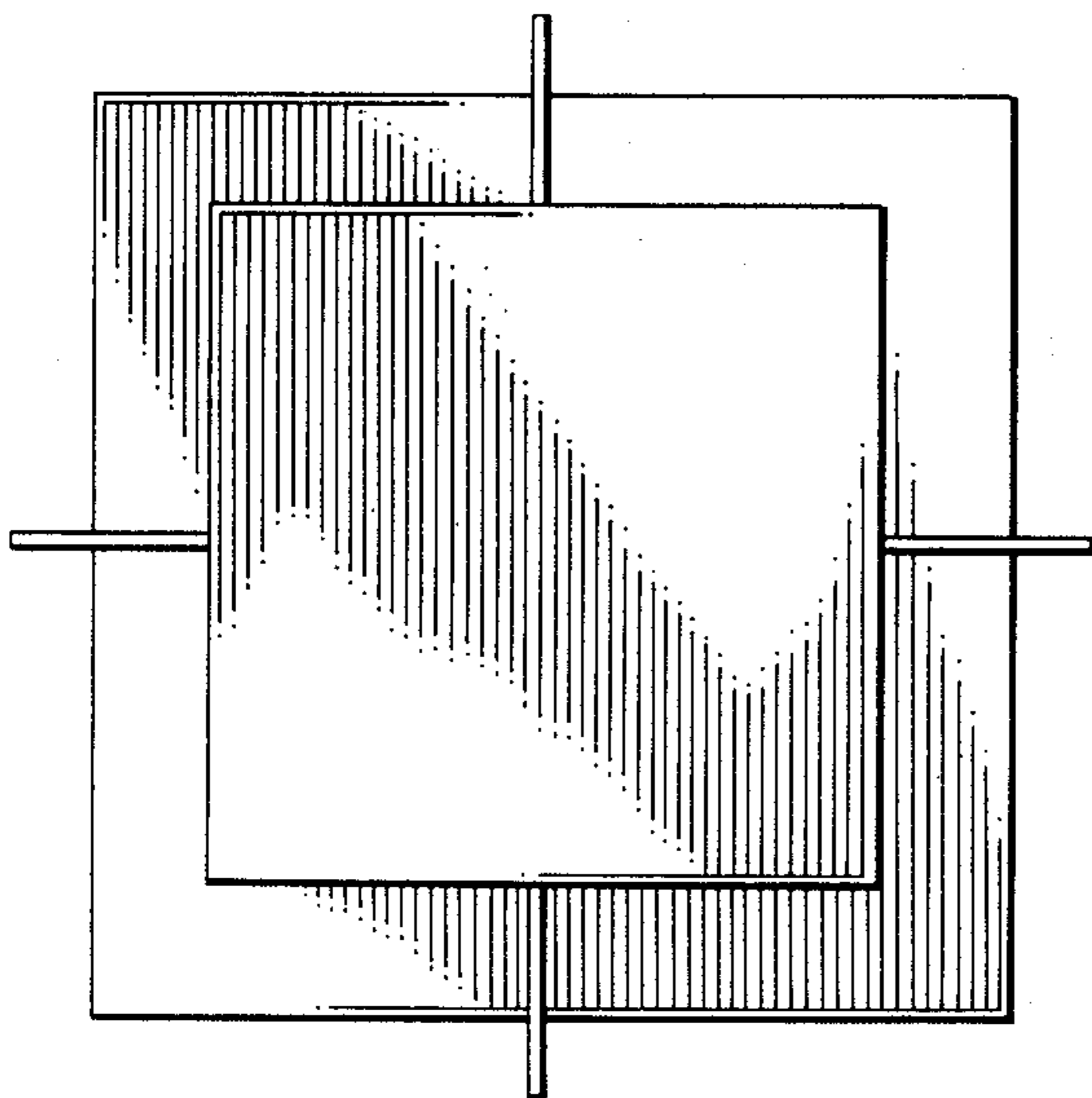


FIG. 4