

[54] **CHILD'S BED**

[76] **Inventor: David K. Ventulett, 203 Hillcrest Ave., West Springfield, Mass. 01089**

[\*\*] **Term: 14 Years**

[21] **Appl. No.: 49,454**

[22] **Filed: May 14, 1987**

[52] **U.S. Cl. .... D6/388; D12/97; D21/134; D21/135**

[58] **Field of Search ..... D6/382, 383, 384, 388, D6/505, 506; D21/134, 135; D12/97**

[56] **References Cited**

**U.S. PATENT DOCUMENTS**

D. 104,181	4/1937	Borlos .....	D21/134
D. 163,279	5/1951	Harris .....	D12/97 X
D. 167,632	9/1952	Jackson .....	D6/388 X
D. 229,553	12/1973	Ford .....	D12/97
D. 230,754	3/1974	Oberlander .....	D21/135
D. 253,259	10/1979	Rutar .....	D6/388
D. 264,773	6/1982	Sutherland .....	D6/388 X

D. 292,758	11/1987	Bethune .....	D6/388
D. 294,893	3/1988	Mowery et al. ....	D6/388

**OTHER PUBLICATIONS**

Domus-12/1975, p. 33, Autoletto Bed-Car.

*Primary Examiner*—Bruce W. Dunkins

*Assistant Examiner*—Janice Seeger

*Attorney, Agent, or Firm*—Jerry T. Kearns

[57] **CLAIM**

The ornamental design for a child's bed, as shown and described.

**DESCRIPTION**

FIG. 1 is a perspective view of a child's bed showing my new design;

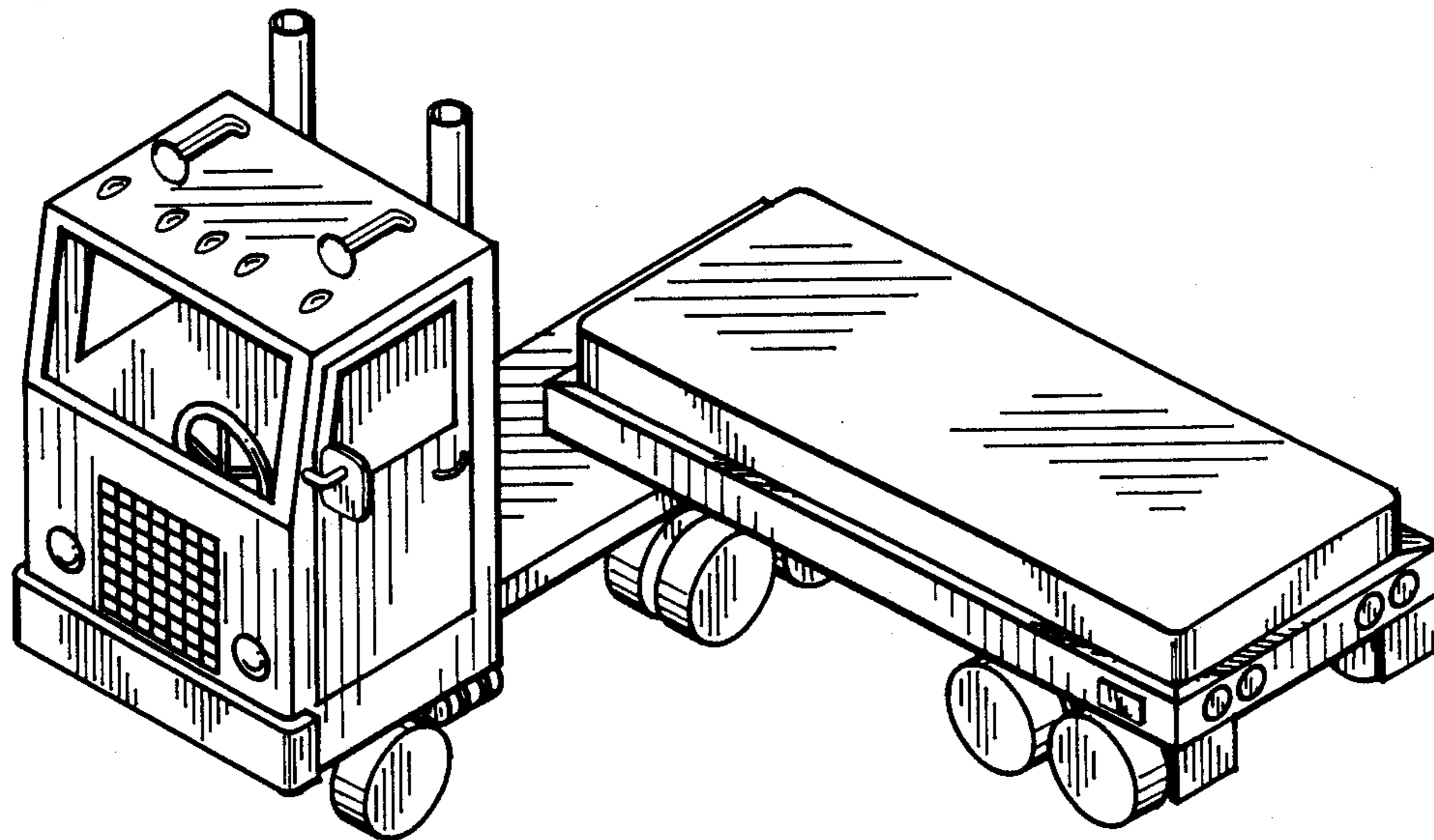
FIG. 2 is a side elevational view, the opposite side being a mirror image thereof;

FIG. 3 is a top plan view thereof;

FIG. 4 is a bottom plan view thereof;

FIG. 5 is a front elevational view thereof; and

FIG. 6 is a rear elevational view thereof.



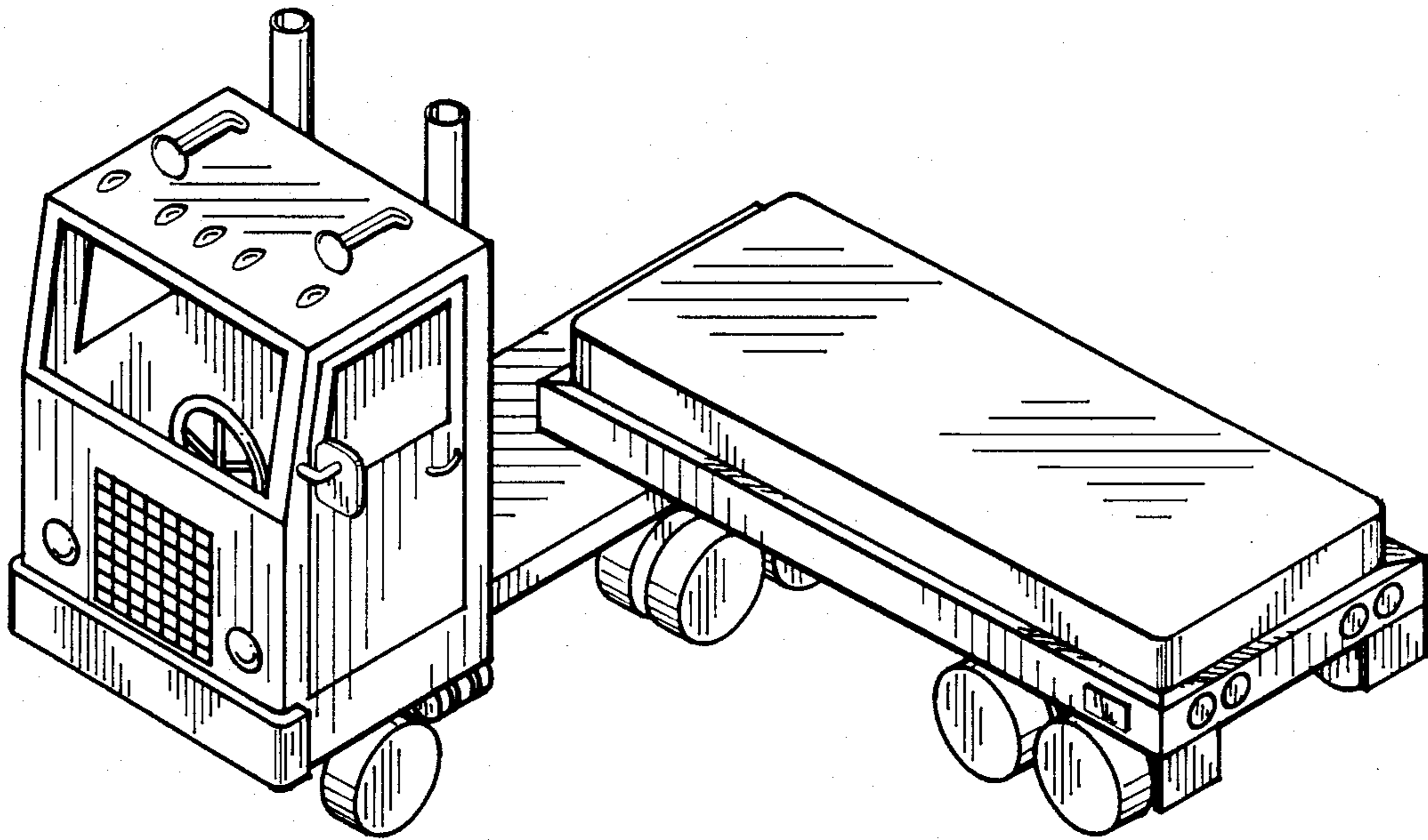


Fig. 1

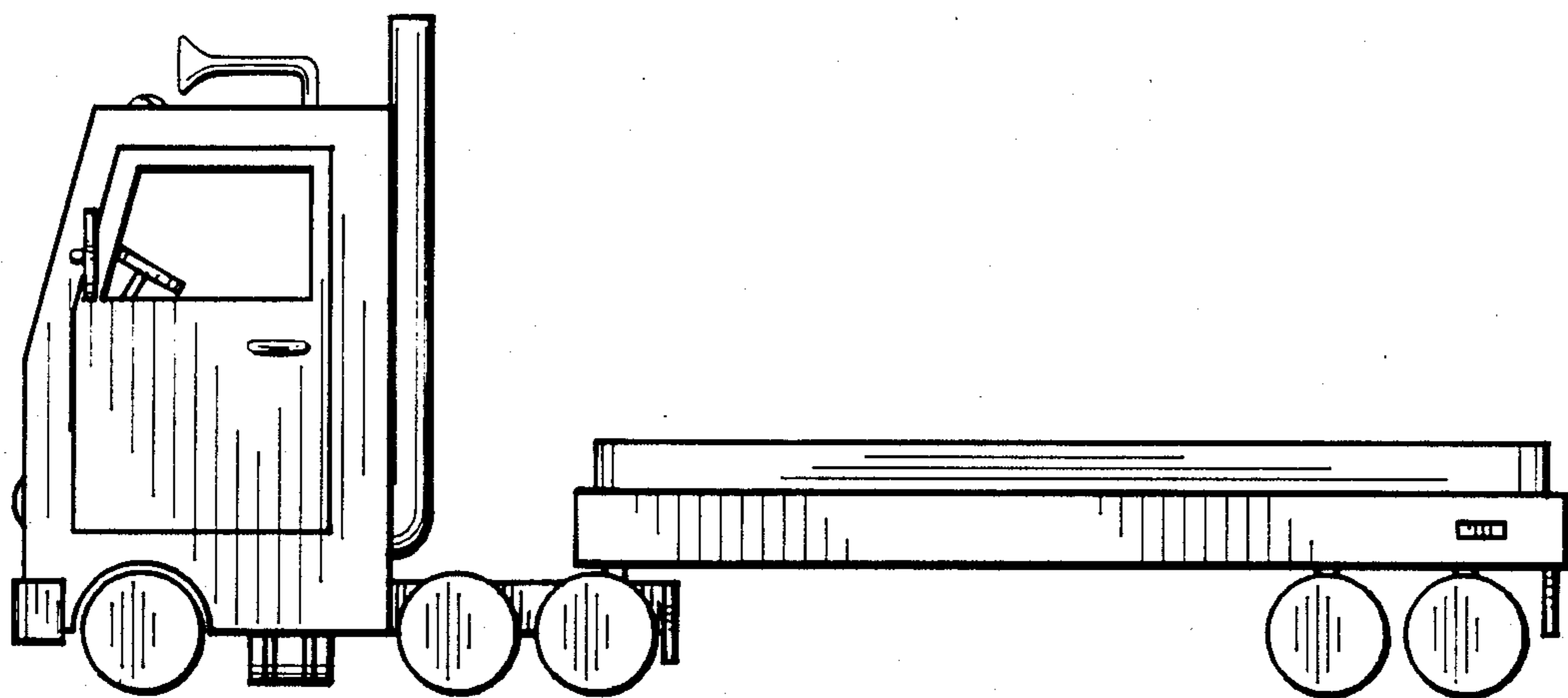


Fig. 2

Fig. 3

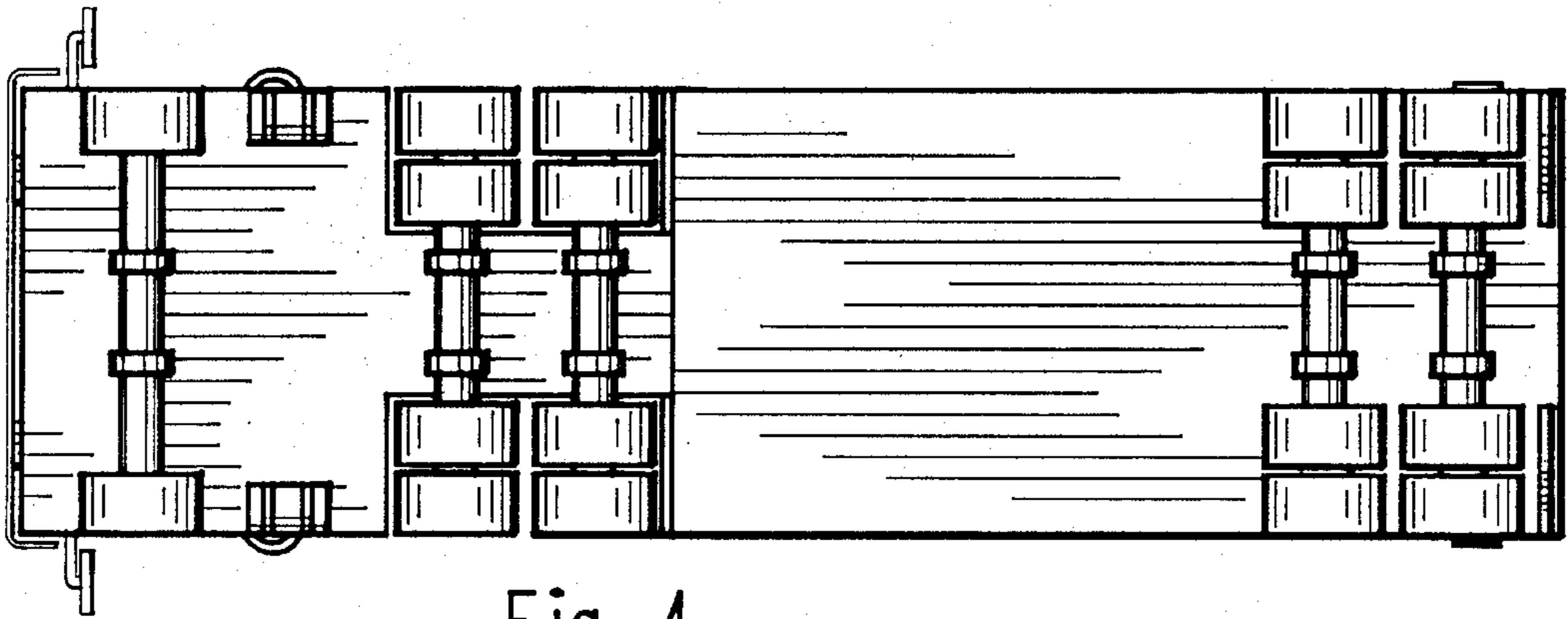
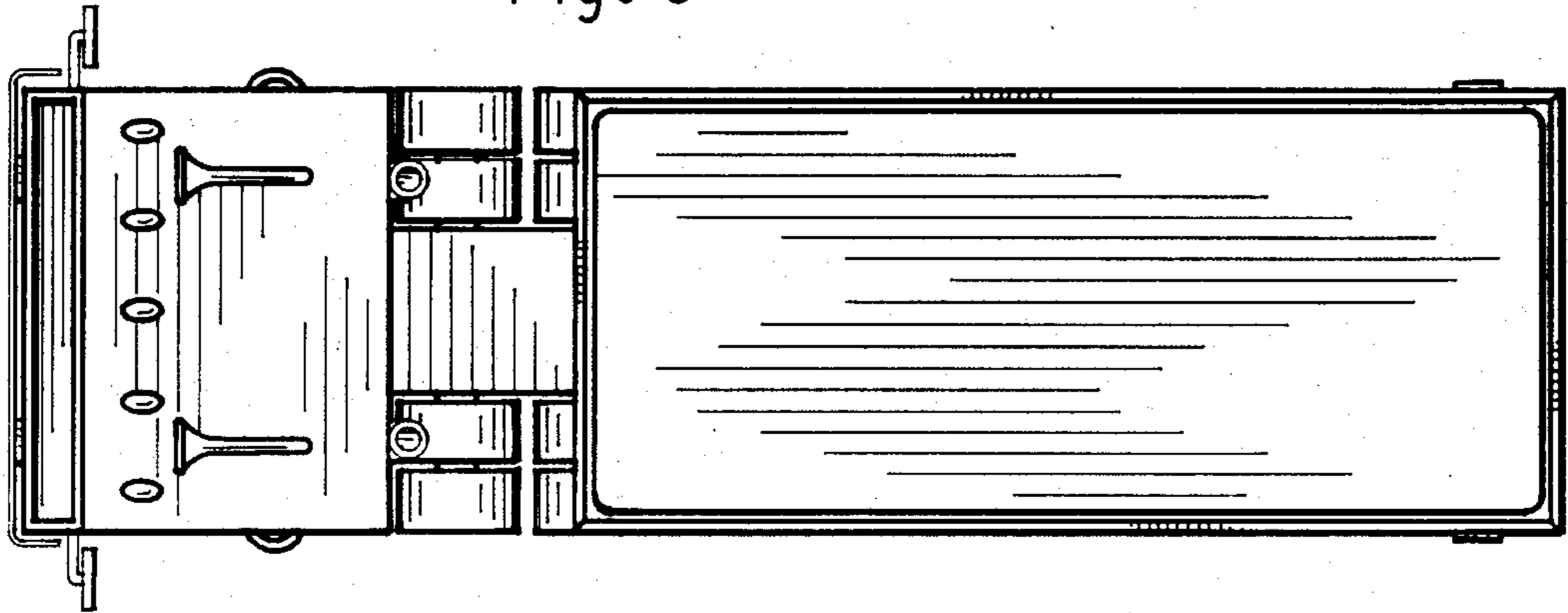


Fig. 4

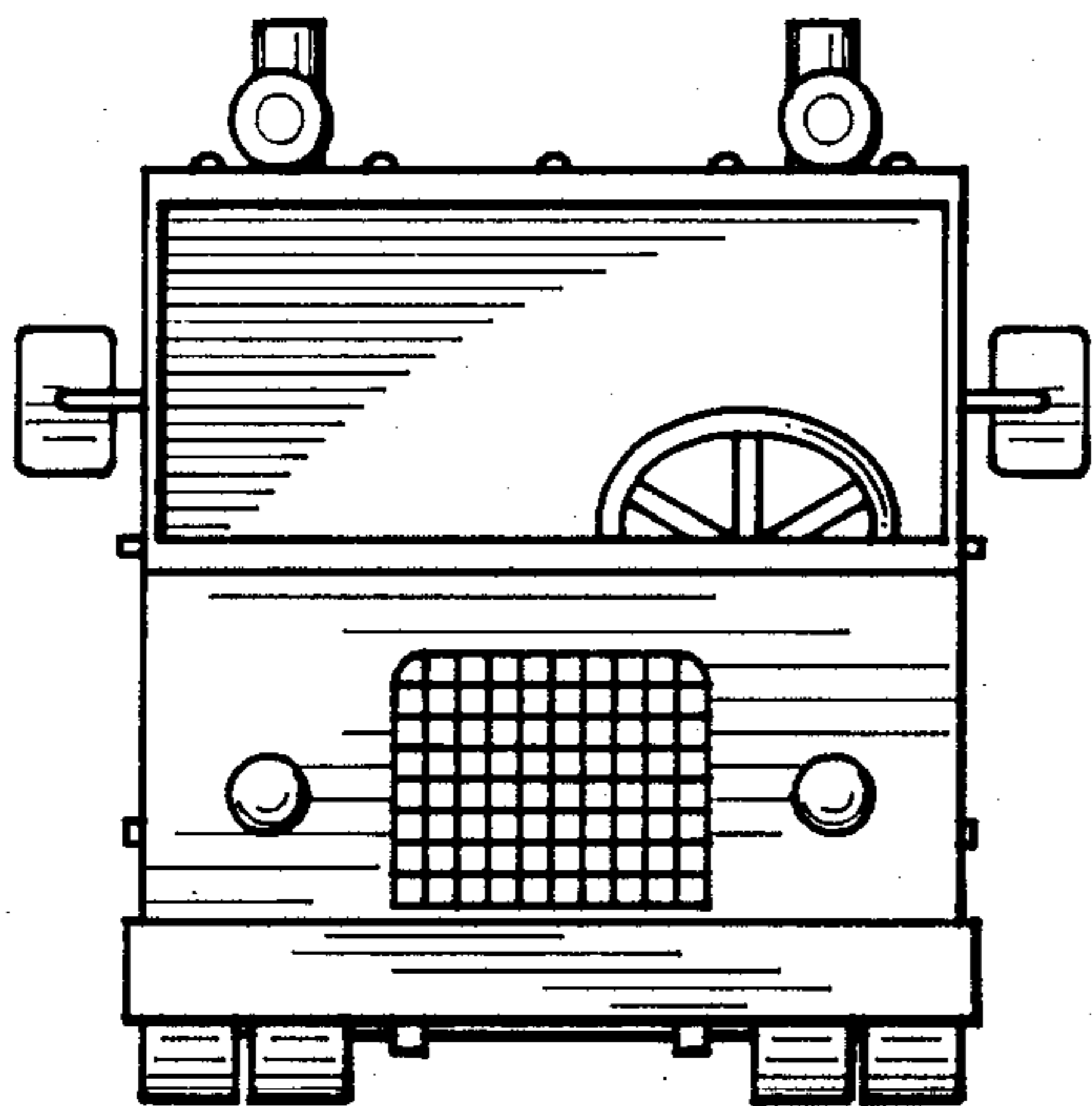


Fig. 5

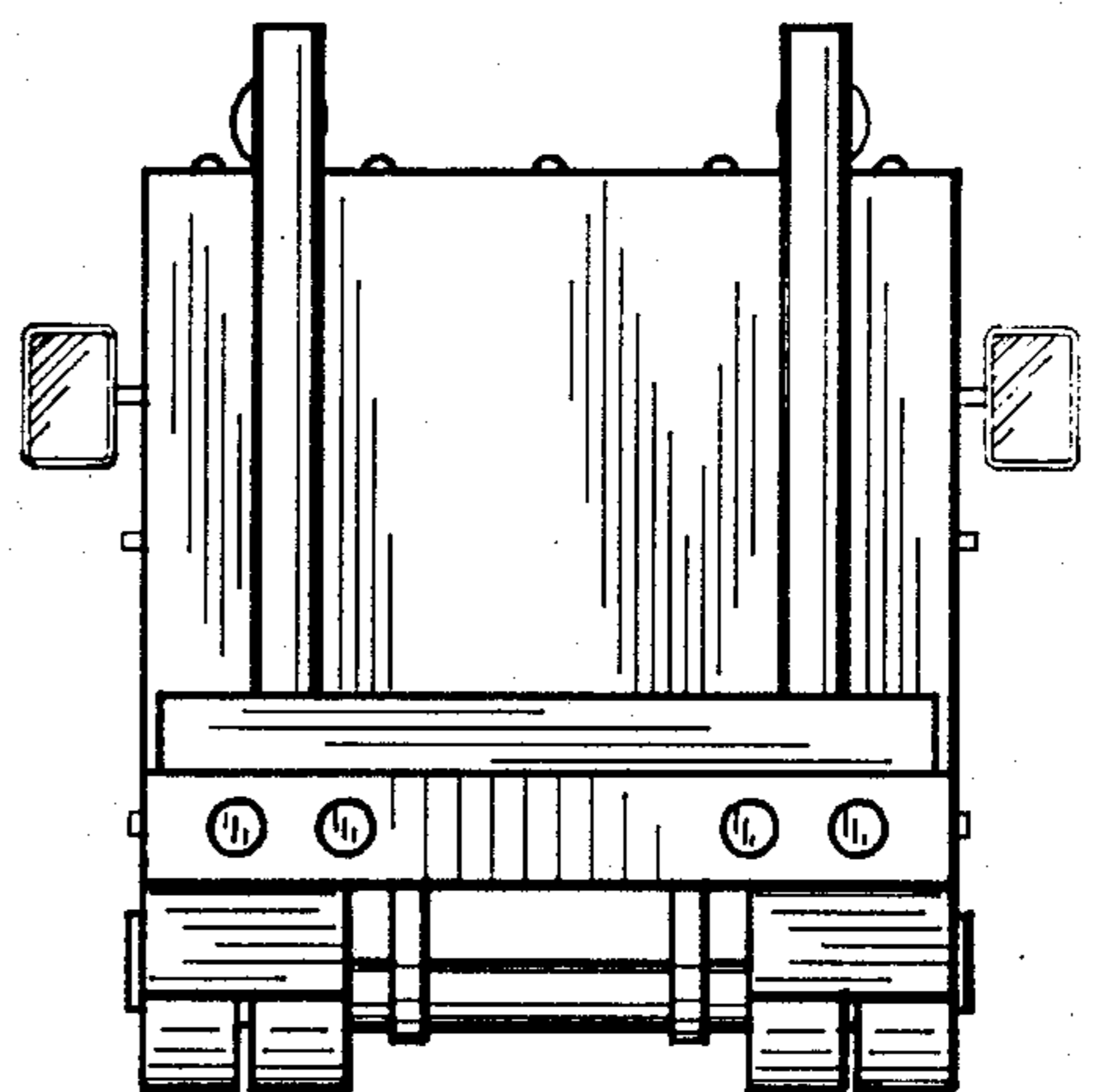


Fig. 6