

# United States Patent [19]

Rendler

[11] Patent Number: **Des. 313,318**

[45] Date of Patent: **\*\* Jan. 1, 1991**

[54] **FOUNTAIN BRUSH**

[76] Inventor: **Robert H. Rendler**, 1707 Williams Way, Norristown, Pa. 19403

[\*\*] Term: **14 Years**

[21] Appl. No.: **167,444**

[22] Filed: **Mar. 14, 1988**

[52] U.S. Cl. .... **D4/115**

[58] Field of Search ..... **D4/100-102, D4/114-115, 130-138, 129, 199; 15/23-24, 28-29, 159 R, 159 A, 160; 401/15, 18, 23-28, 37-47, 136-146, 203-207, 268-292; D32/68**

[56] **References Cited**

**U.S. PATENT DOCUMENTS**

D. 180,204	4/1957	Slough	.....	D4/115
D. 195,249	5/1963	Vallis	.....	D4/115
D. 274,388	6/1984	Colemore-Williams	.....	D4/129
D. 280,267	8/1985	Bryant et al.	.....	D4/130

3,267,903	8/1966	Valentine	.....	D4/115 X
4,327,454	5/1982	Spence	.....	15/29

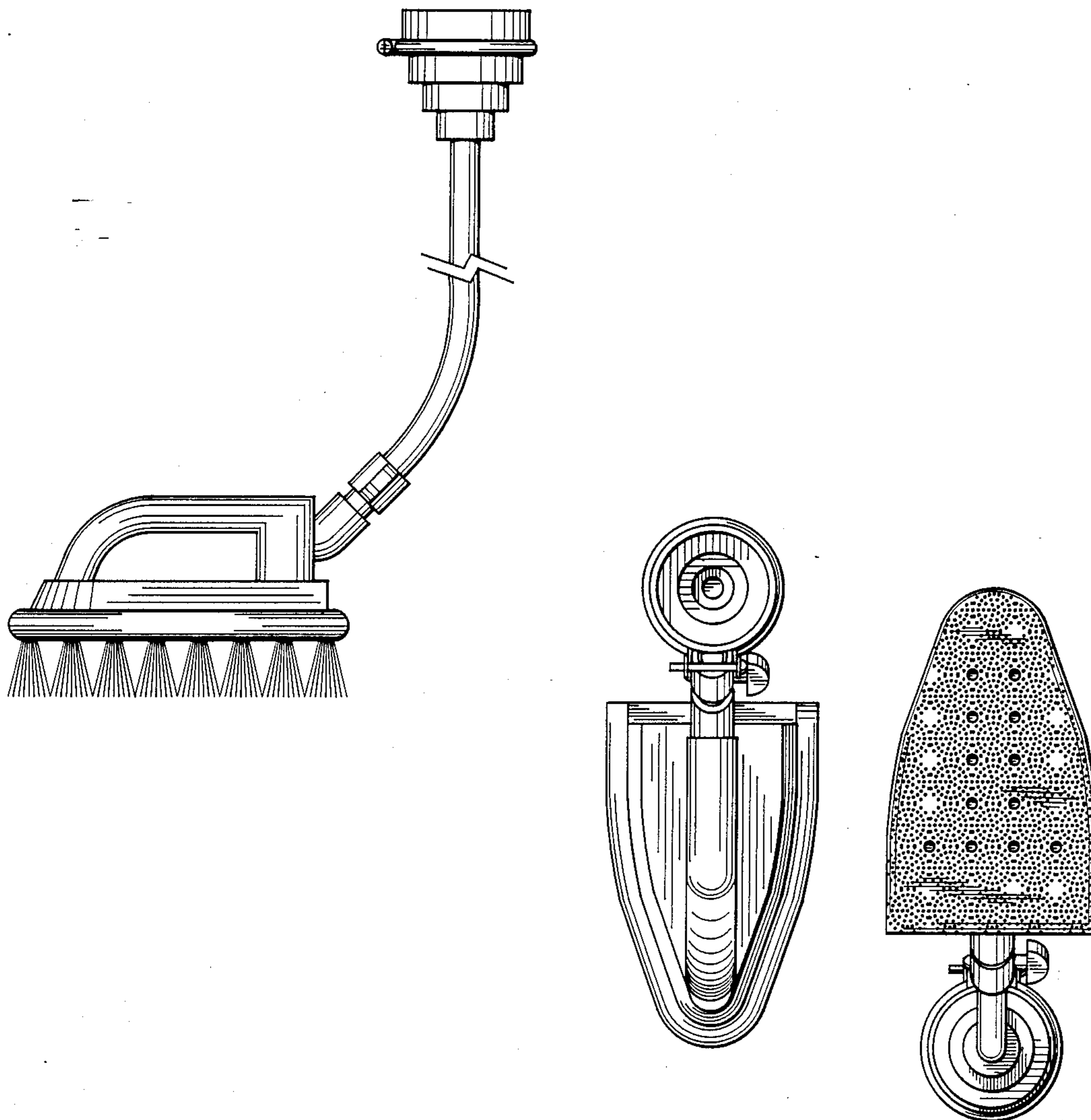
*Primary Examiner*—Wallace R. Burke  
*Assistant Examiner*—Lavone D. Tabor  
*Attorney, Agent, or Firm*—Jerry T. Kearns

[57] **CLAIM**

The ornamental design for a fountain brush, as shown and described.

**DESCRIPTION**

FIG. 1 is a front elevational view of a fountain brush showing my new design;  
FIG. 2 is a rear elevational view thereof;  
FIG. 3 is a left side elevational view thereof;  
FIG. 4 is a right side elevational view thereof;  
FIG. 5 is a top plan view thereof; and,  
FIG. 6 is a bottom plan view thereof.  
The hose portion of the brush is shown broken away in FIGS. 1-4 to indicate indeterminate length.



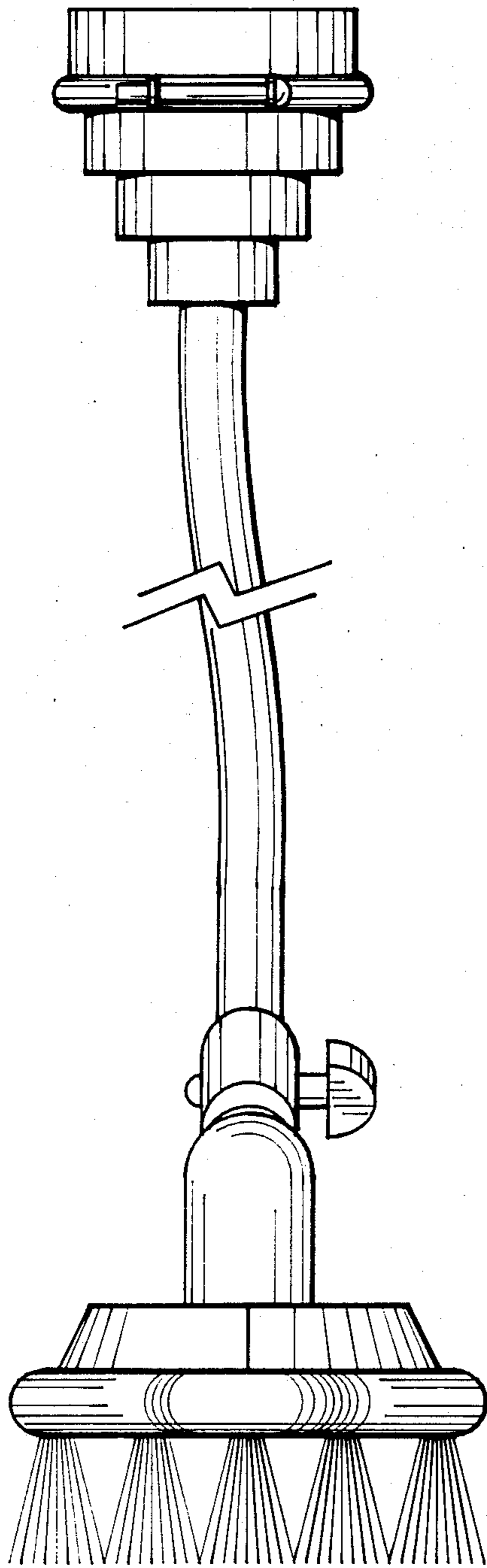


Fig. 1

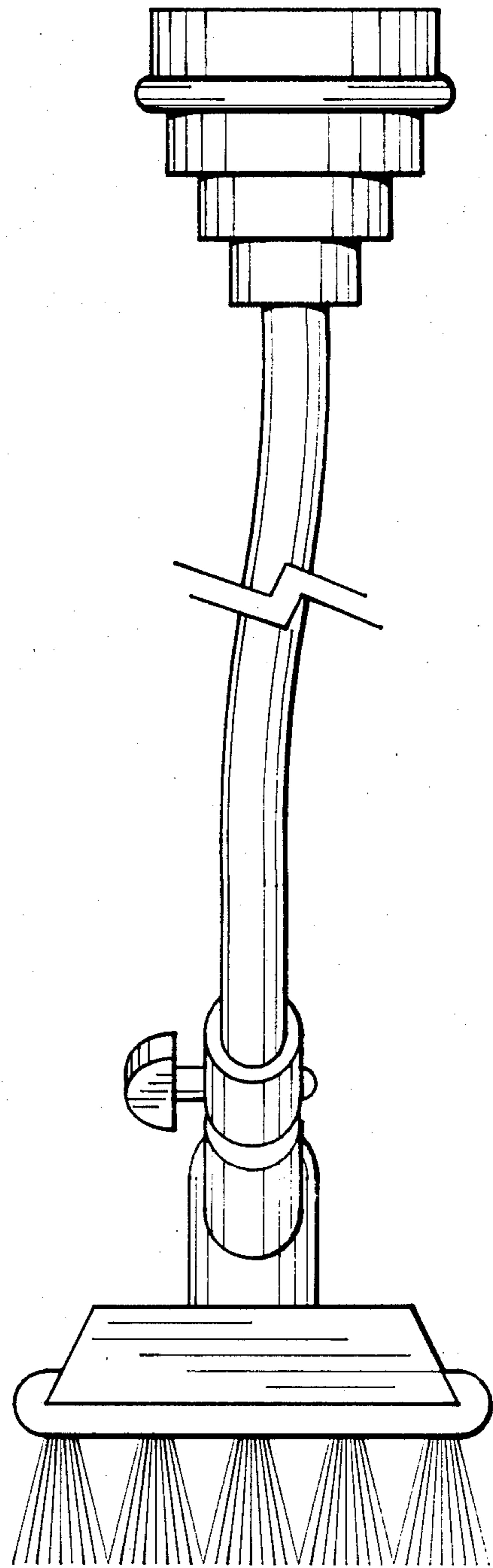


Fig. 2

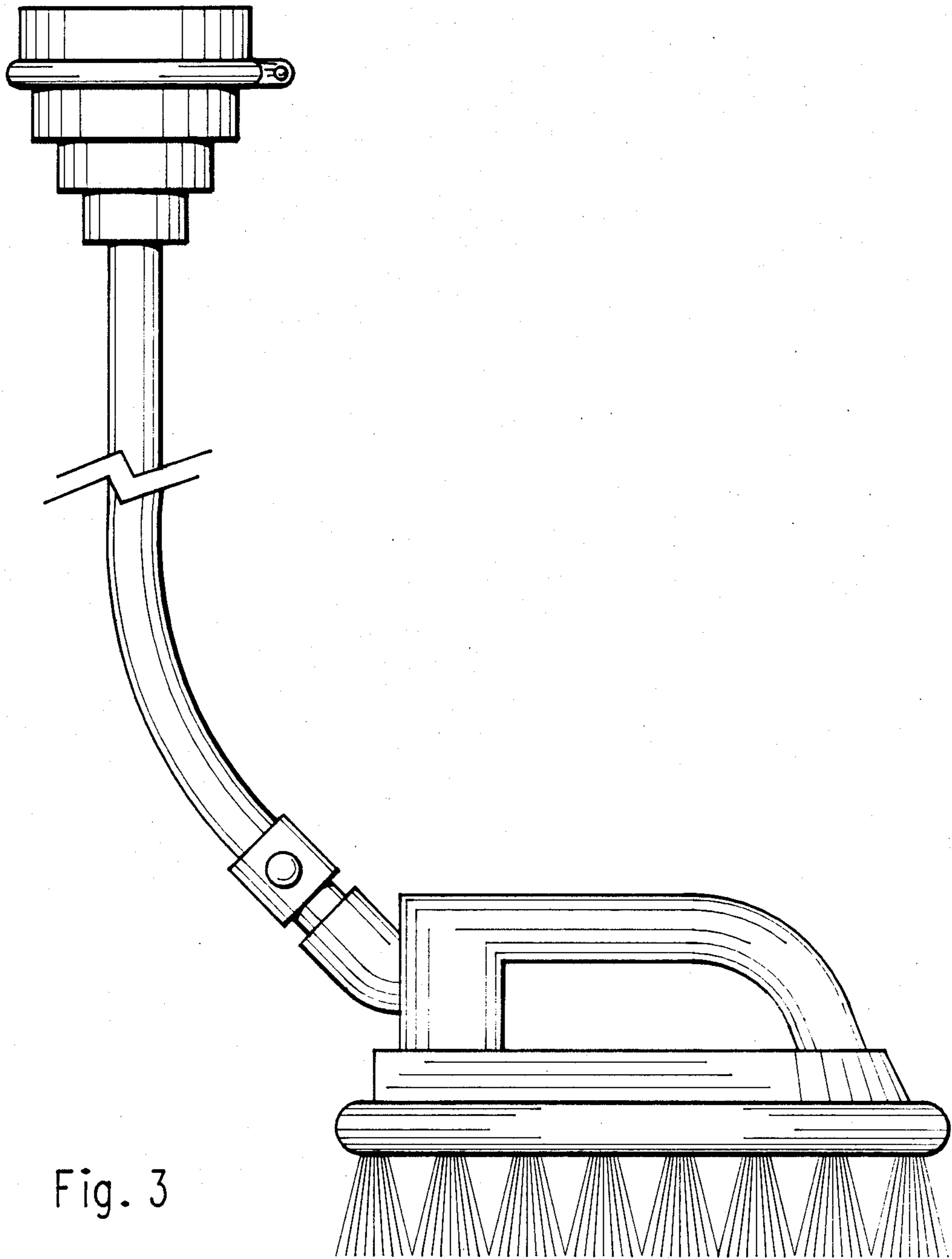


Fig. 3

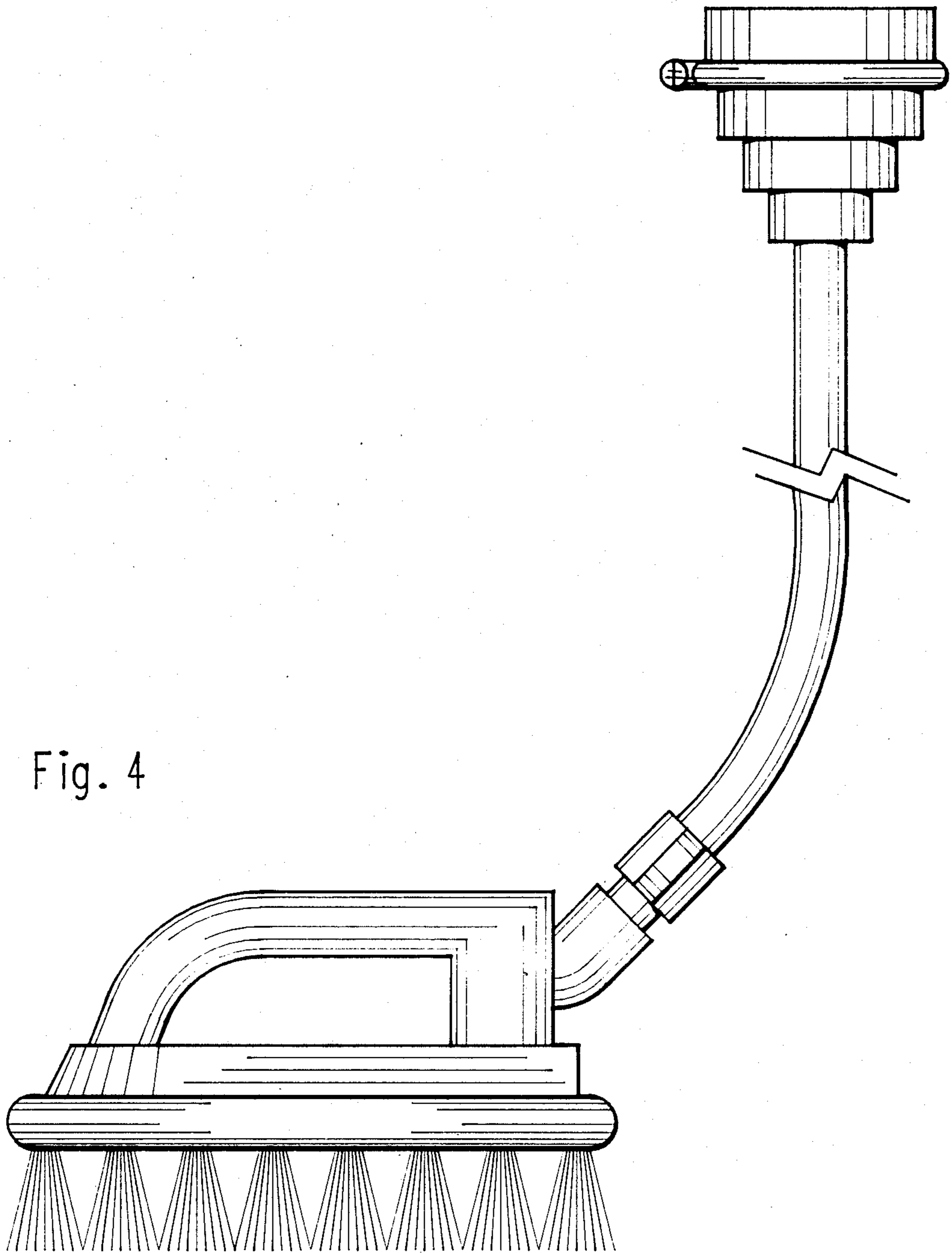


Fig. 4

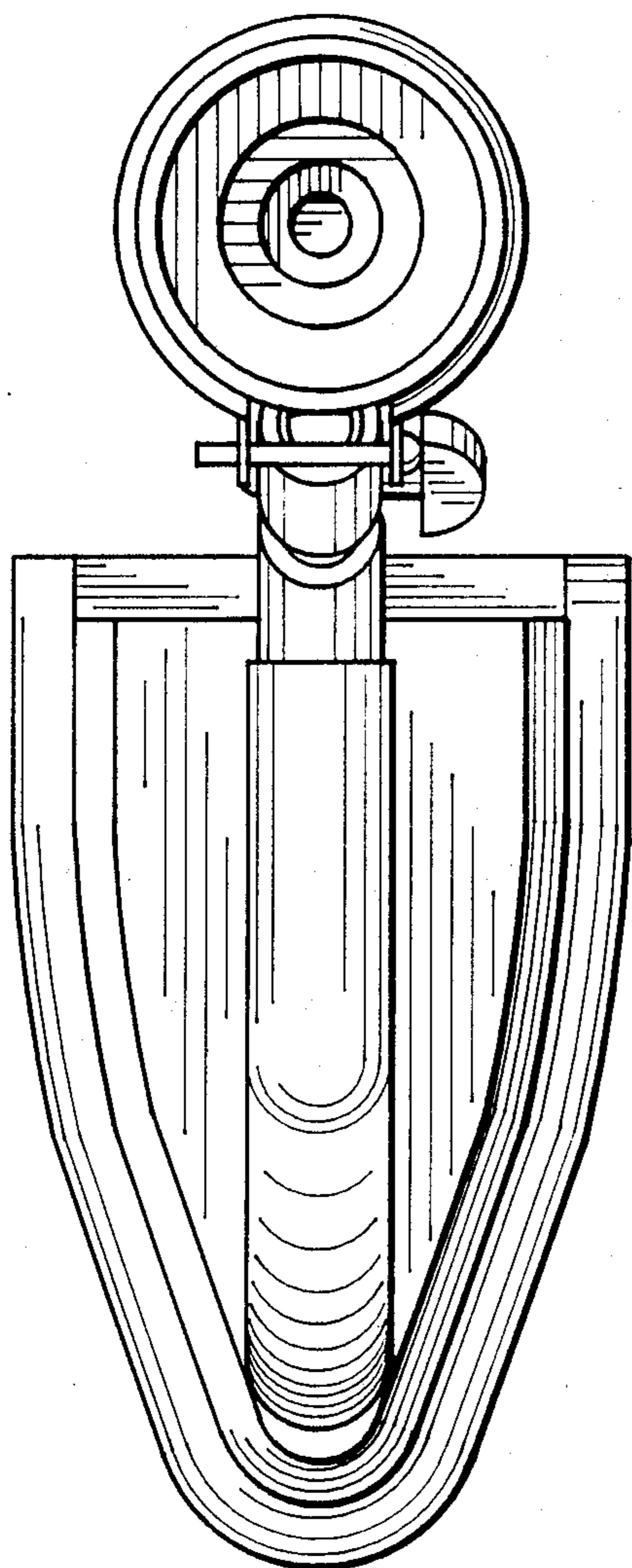


Fig. 5

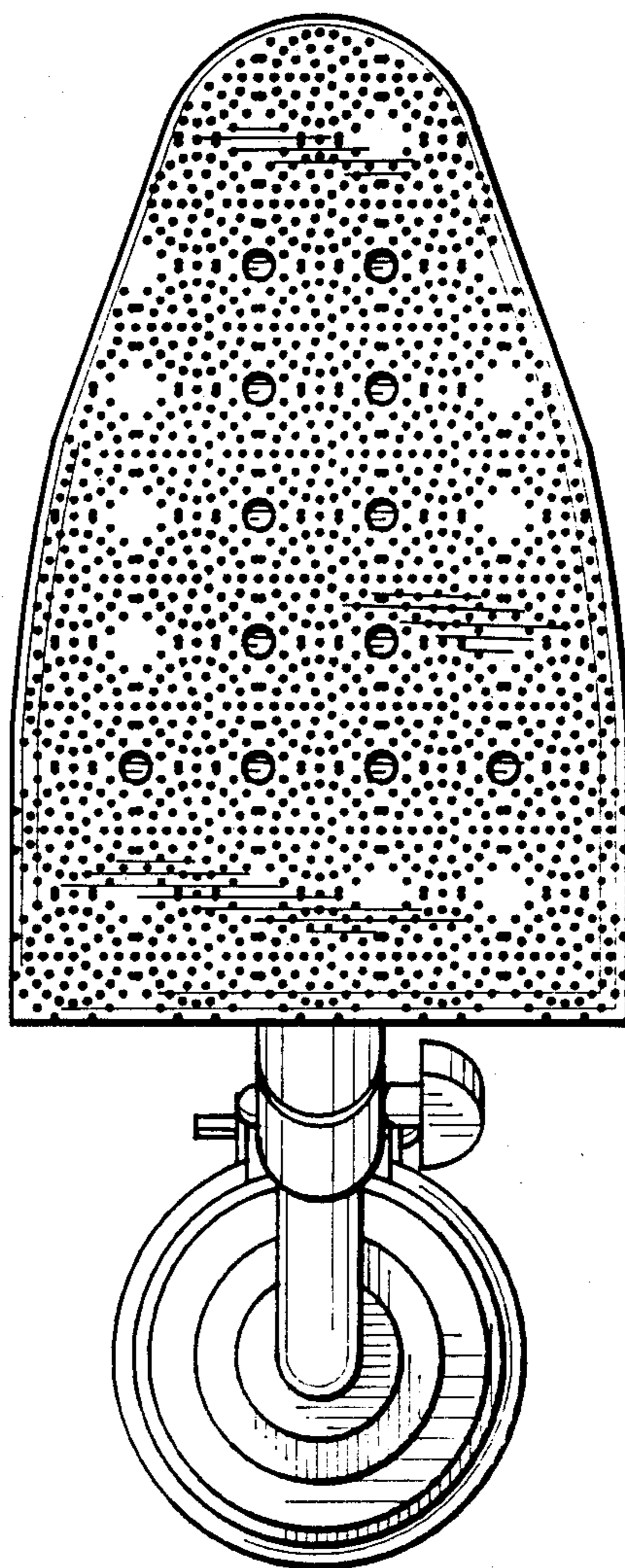


Fig. 6