

[54] SAFETY JACK FOR MOBILE HOMES AND TRAILERS

Primary Examiner—Kay H. Chin
Attorney, Agent, or Firm—John E. Benoit

[76] Inventor: Johnie C. Robertson, 73-535 El Paseo, No. 7, Palm Desert, Calif. 92260

[57] CLAIM

The ornamental design for a safety jack for mobile homes and trailers, as shown and described.

[**] Term: 14 Years

DESCRIPTION

[21] Appl. No.: 212,753

FIG. 1 is a front elevational view of a safety jack for mobile homes and trailers showing my new design; FIG. 2 is a right side elevational view thereof; FIG. 3 is a left side elevational view thereof; FIG. 4 is a top plan view thereof; FIG. 5 is a bottom plan view thereof; FIG. 6 is a front elevational view of a second embodiment of the safety jack for mobile homes and trailers; FIG. 7 is a right side elevational view of FIG. 6; FIG. 8 is a left side elevational view of FIG. 6; FIG. 9 is a top plan view of FIG. 6; and FIG. 10 is a bottom plan view of FIG. 6.

[22] Filed: Jun. 28, 1988

[52] U.S. Cl. D34/31

[58] Field of Search D34/28, 31, 32; 254/45, 254/133, 934, 94, 100; 248/351, 352; 52/126

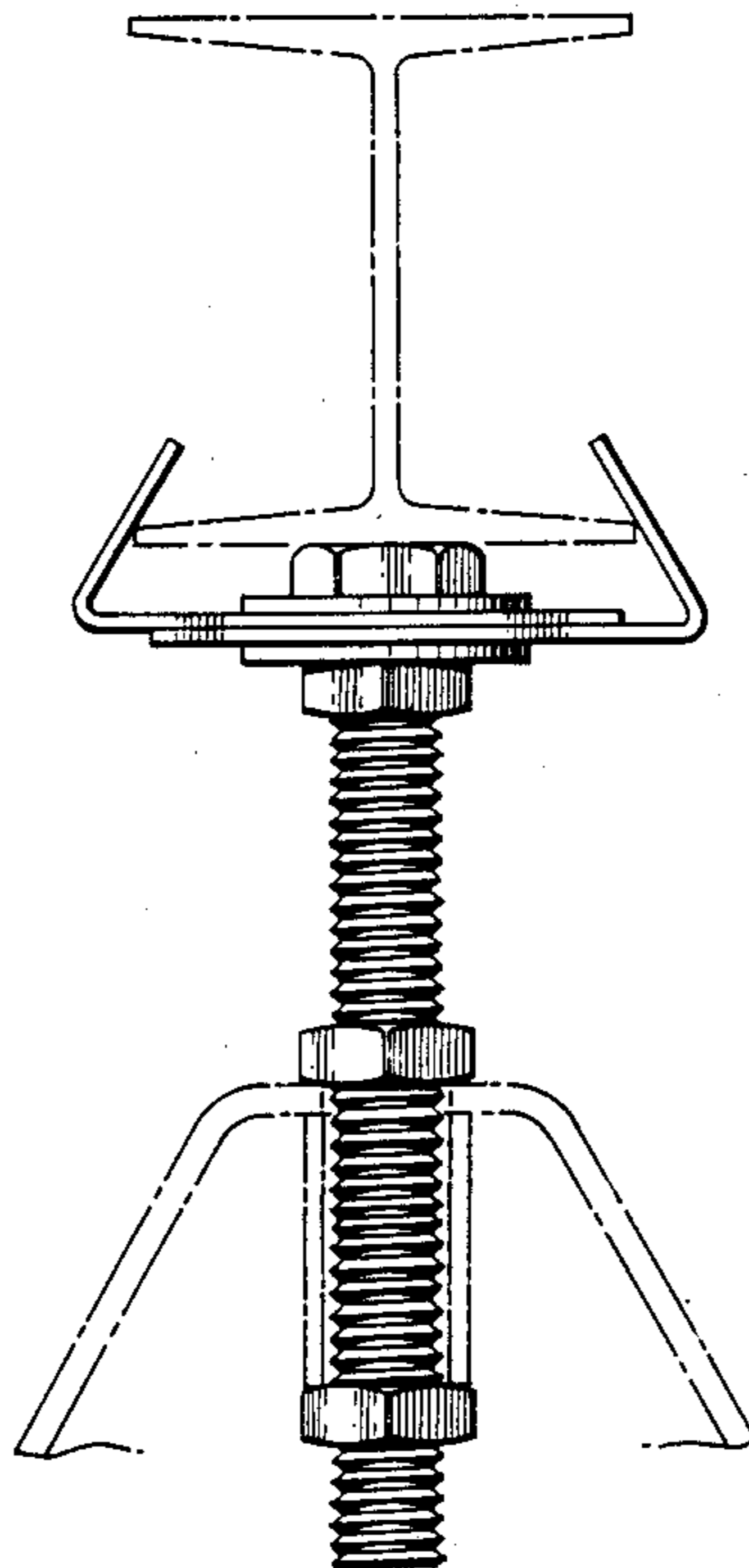
[56] References Cited

U.S. PATENT DOCUMENTS

D. 298,676	11/1988	Chambers	D34/31
3,118,651	1/1964	Achterberg et al.	254/133
3,580,543	5/1971	Hafeli	254/100
3,606,231	9/1971	Kilborn	248/354 S
3,786,551	1/1974	Gregg et al.	254/133
3,810,603	5/1974	Metz	254/133
3,957,249	5/1976	Williams	254/45
3,968,605	7/1976	Lovgren	52/126

The rear views of FIGS. 1 and 6 are mirror images of the front views.

The broken lines showing an I-beam and pier is for illustrative purposes only and forms no part of the claimed invention.



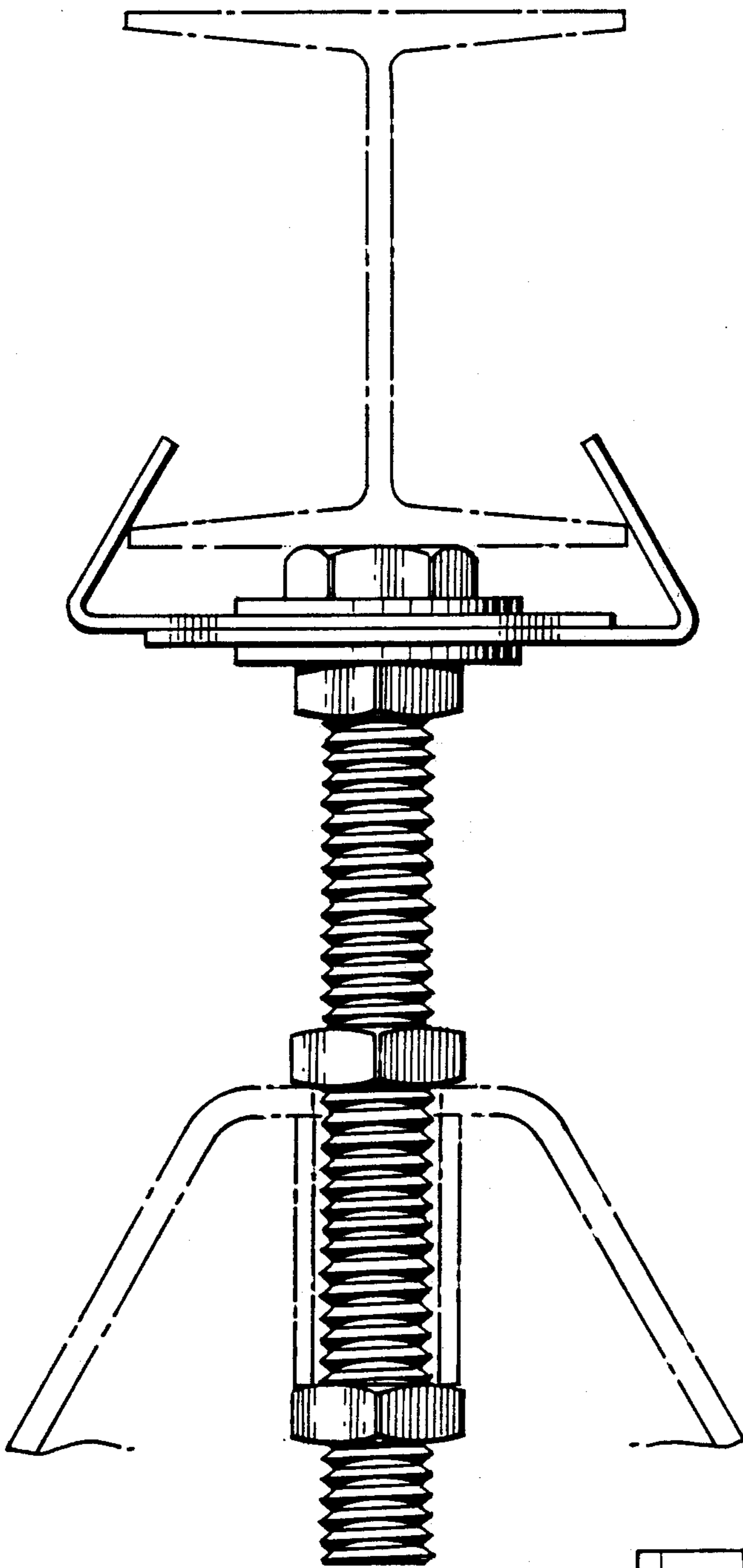


FIG. 1

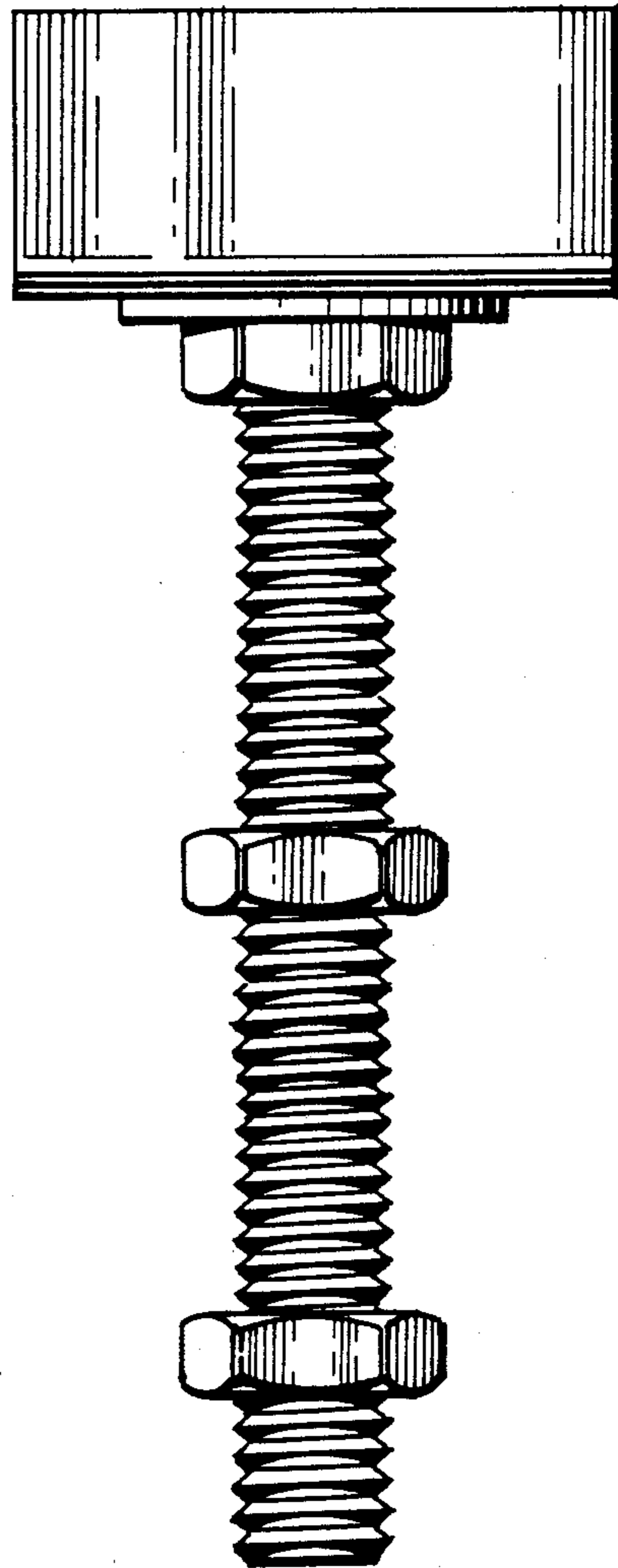


FIG. 2

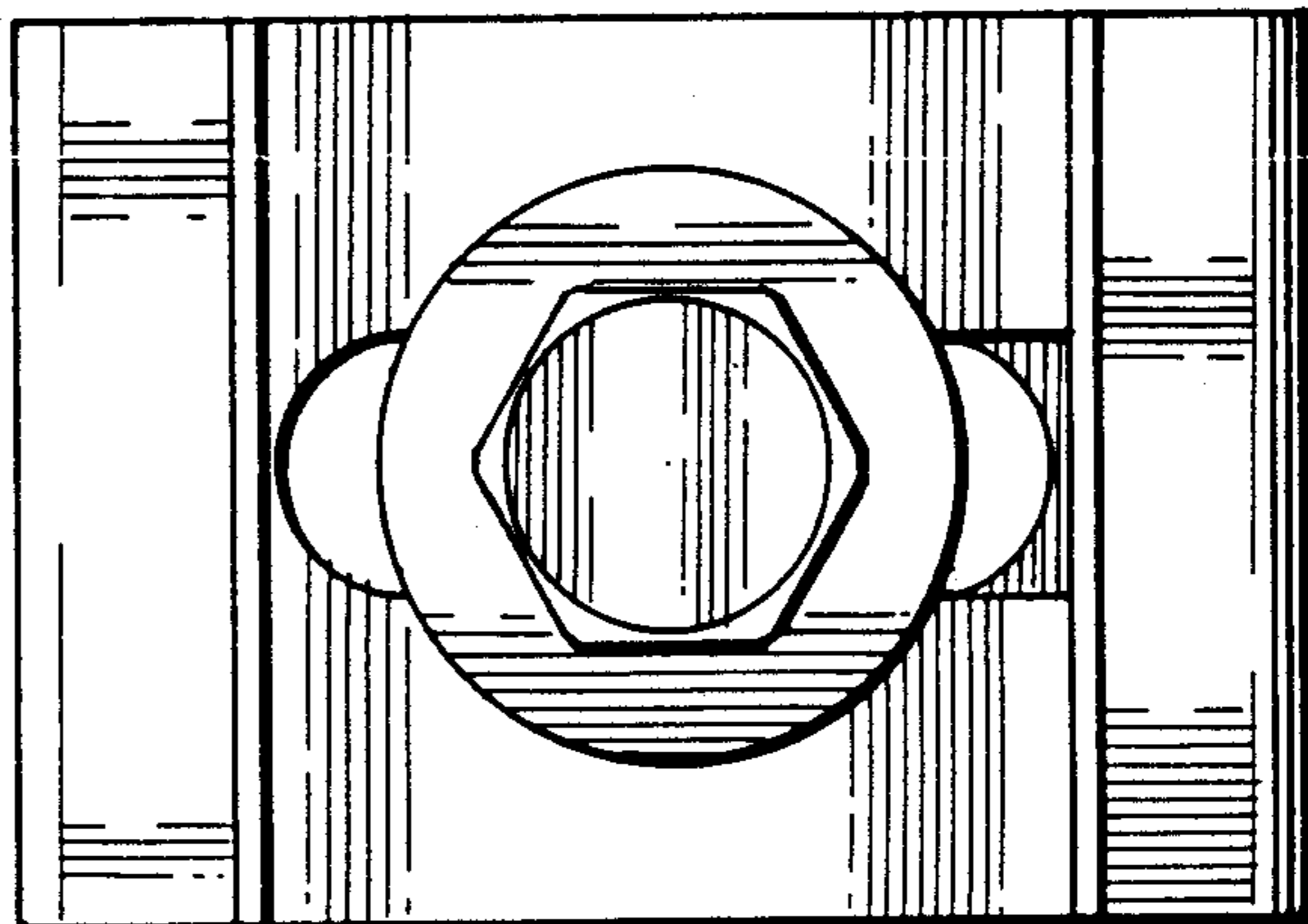


FIG. 4

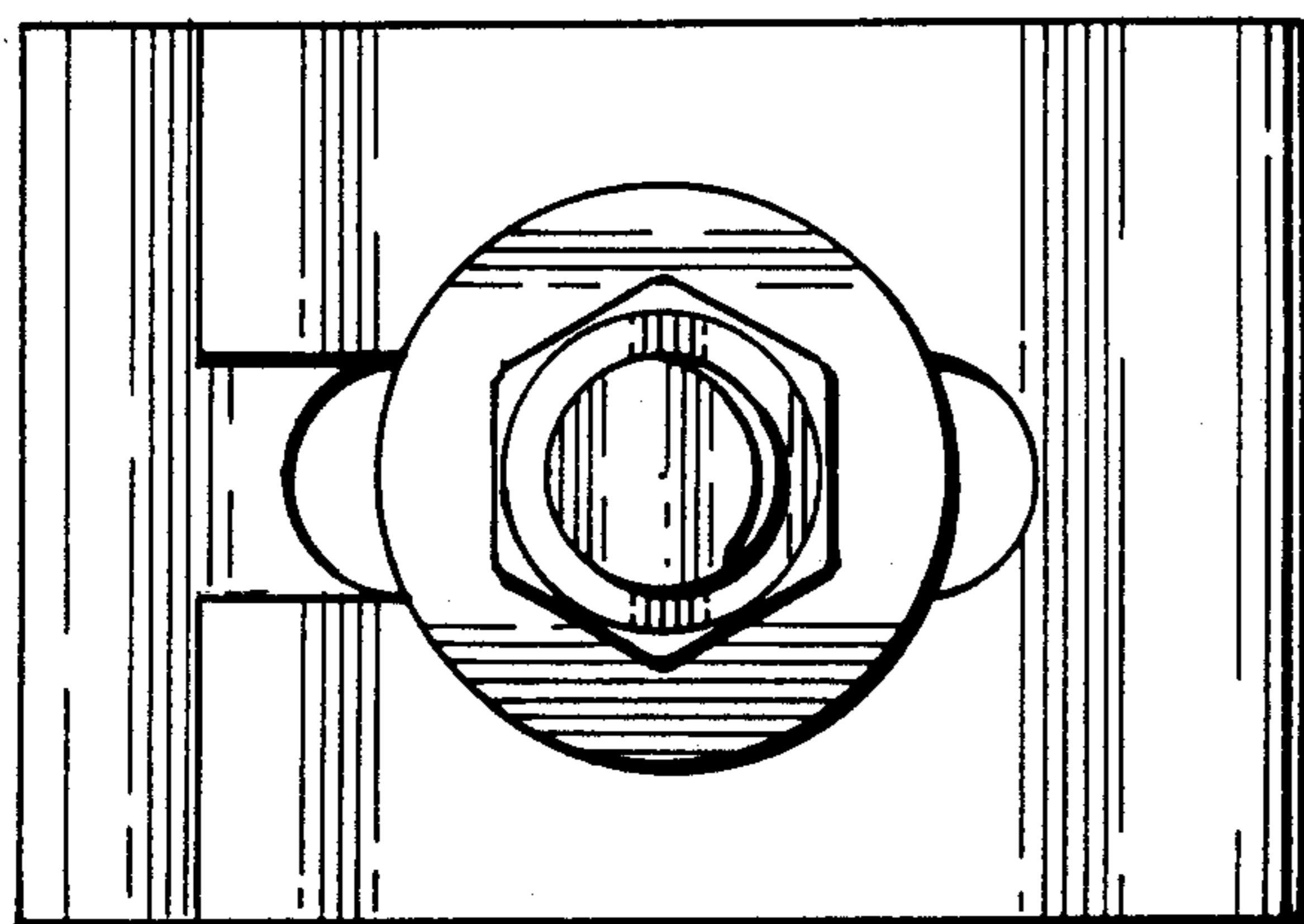


FIG. 5

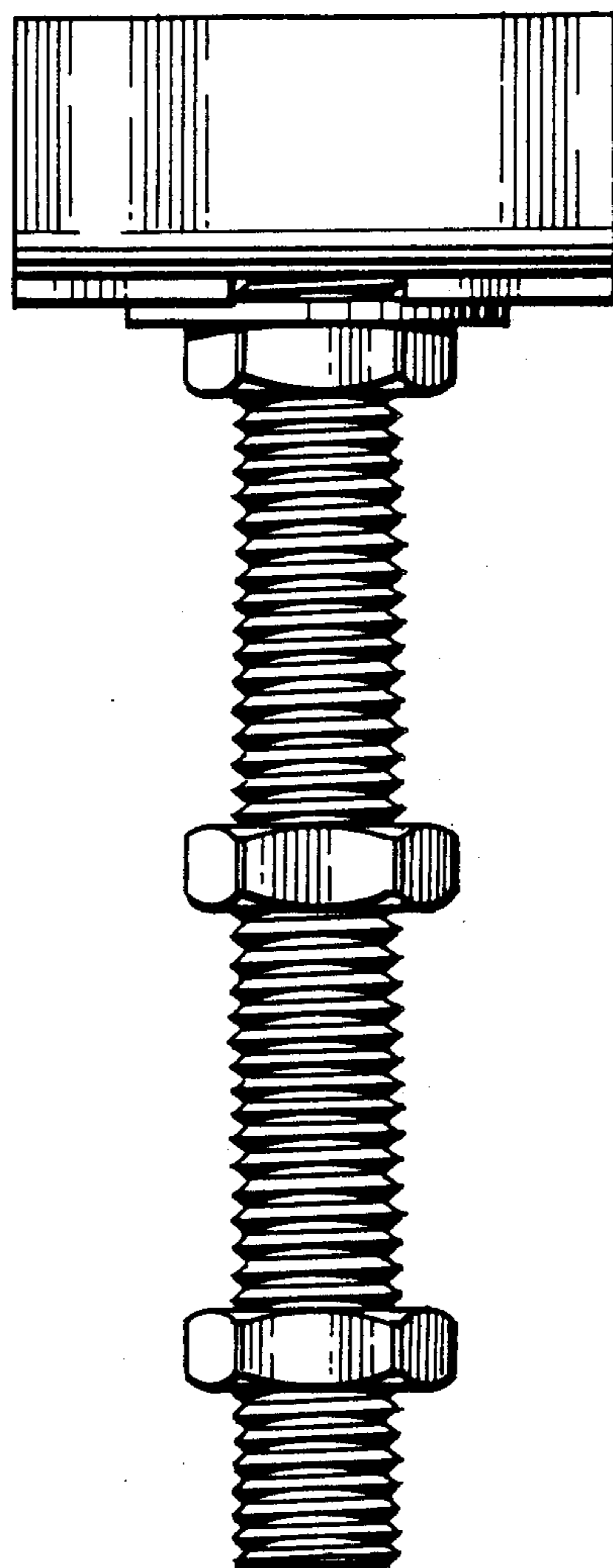


FIG. 3

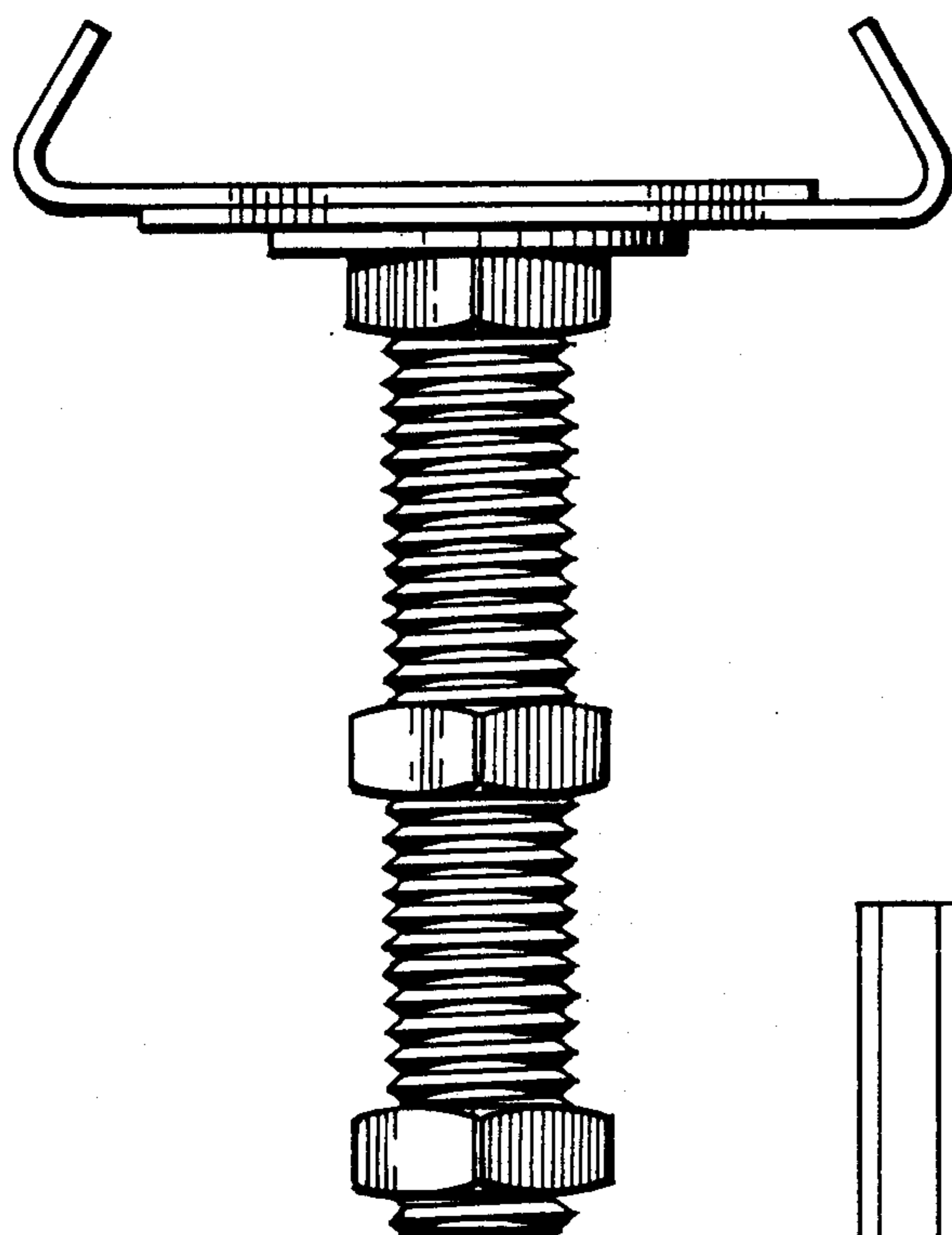


FIG. 6

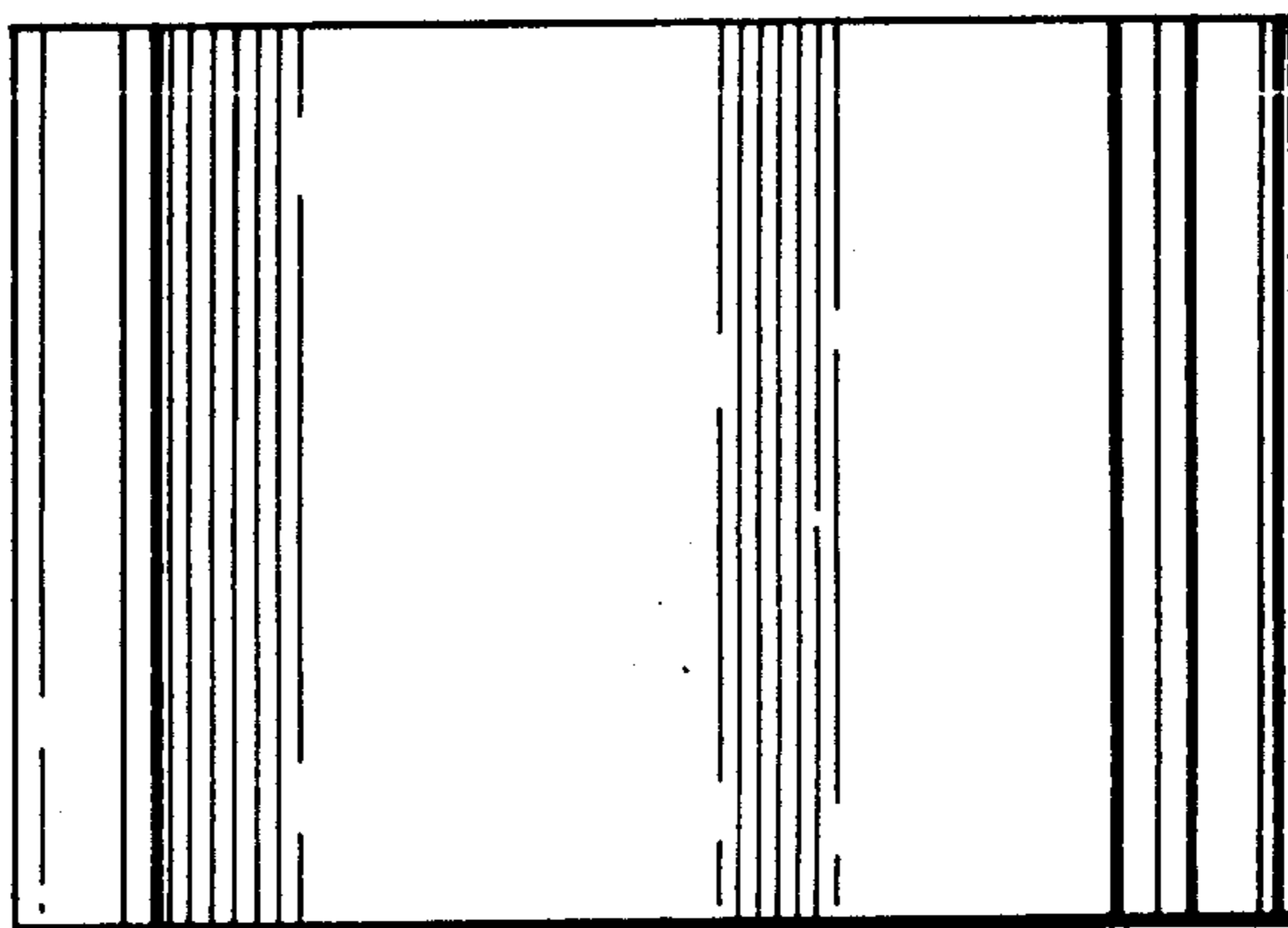


FIG. 9

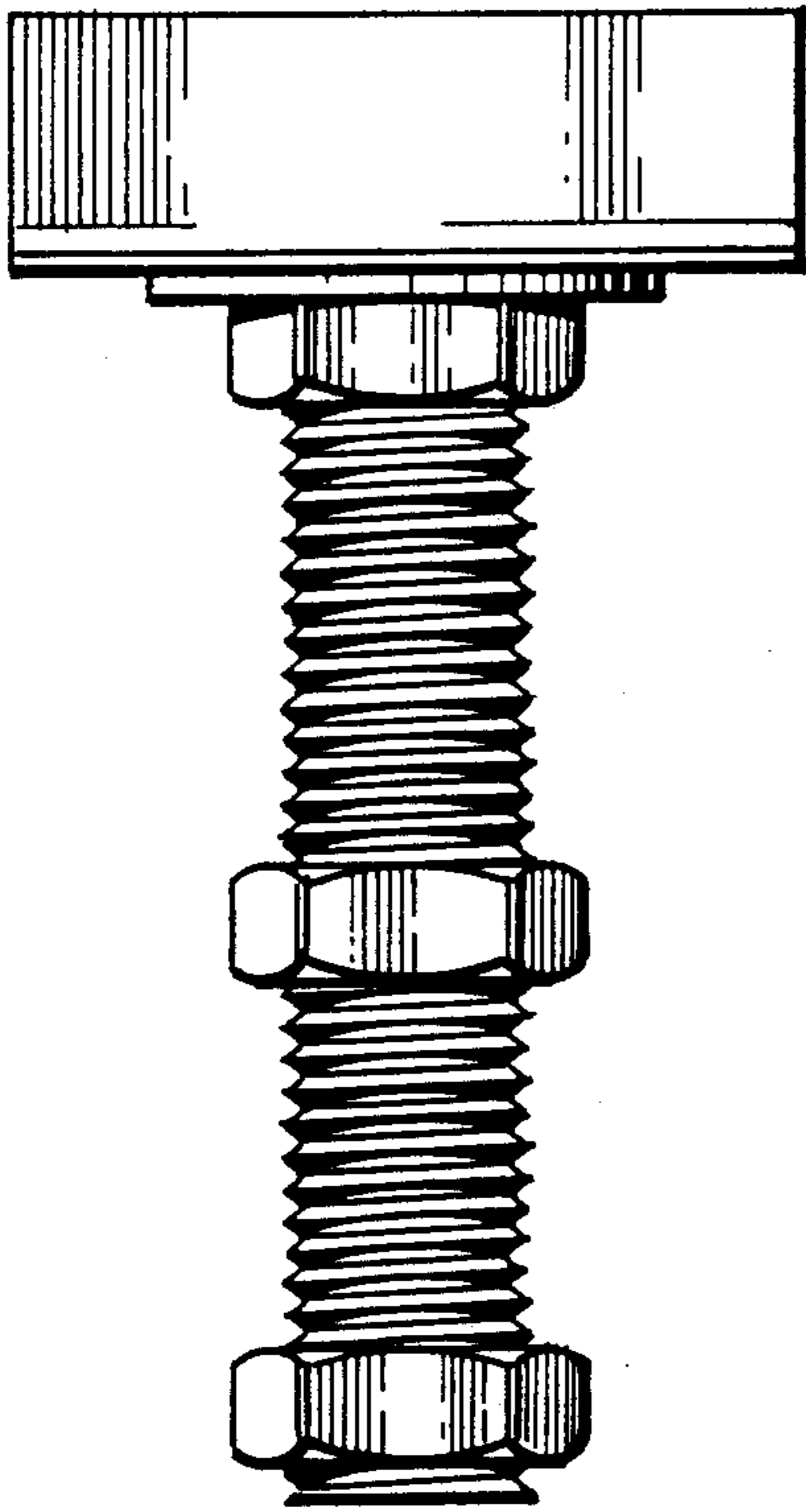


FIG. 7

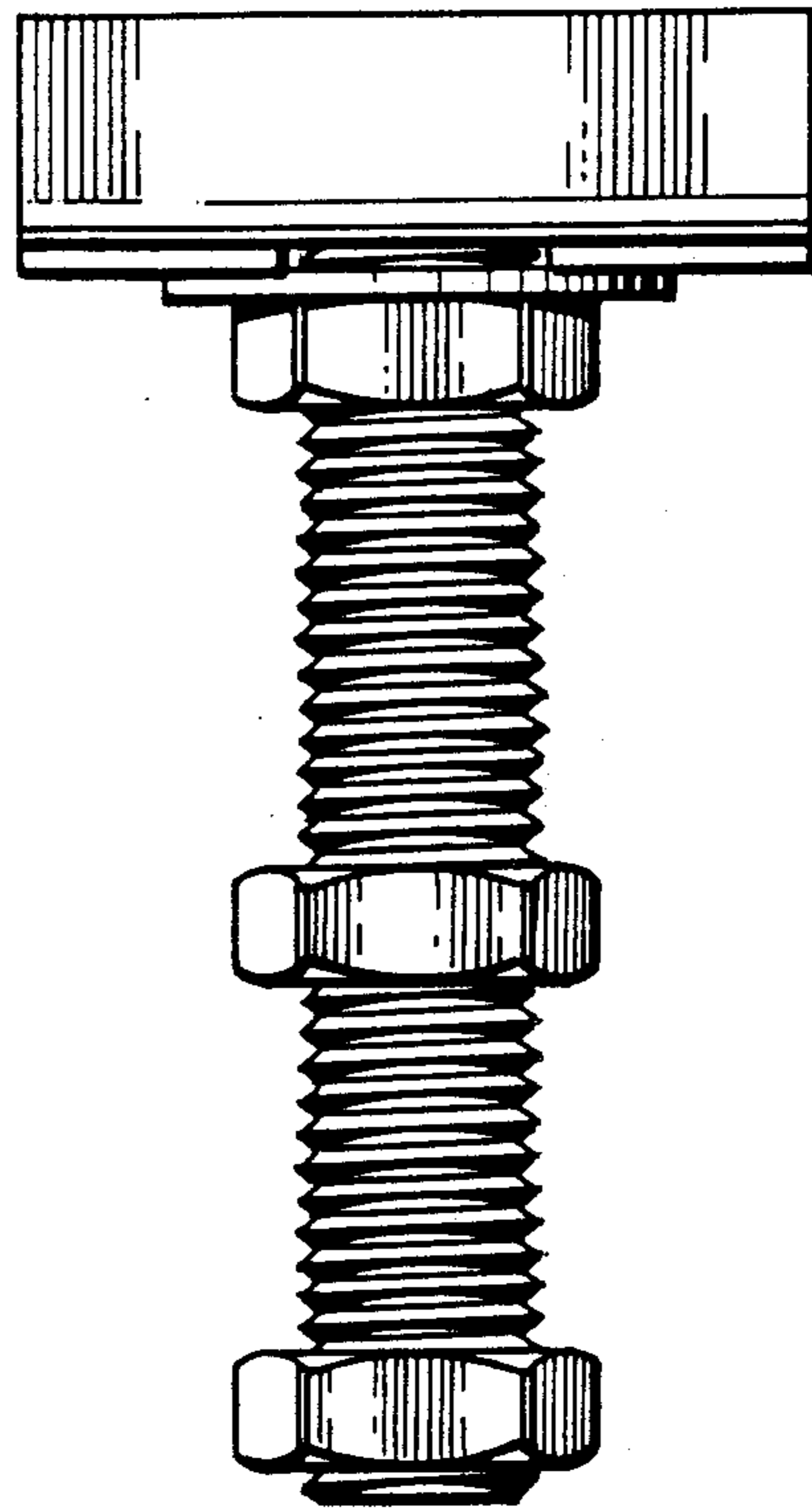


FIG. 8

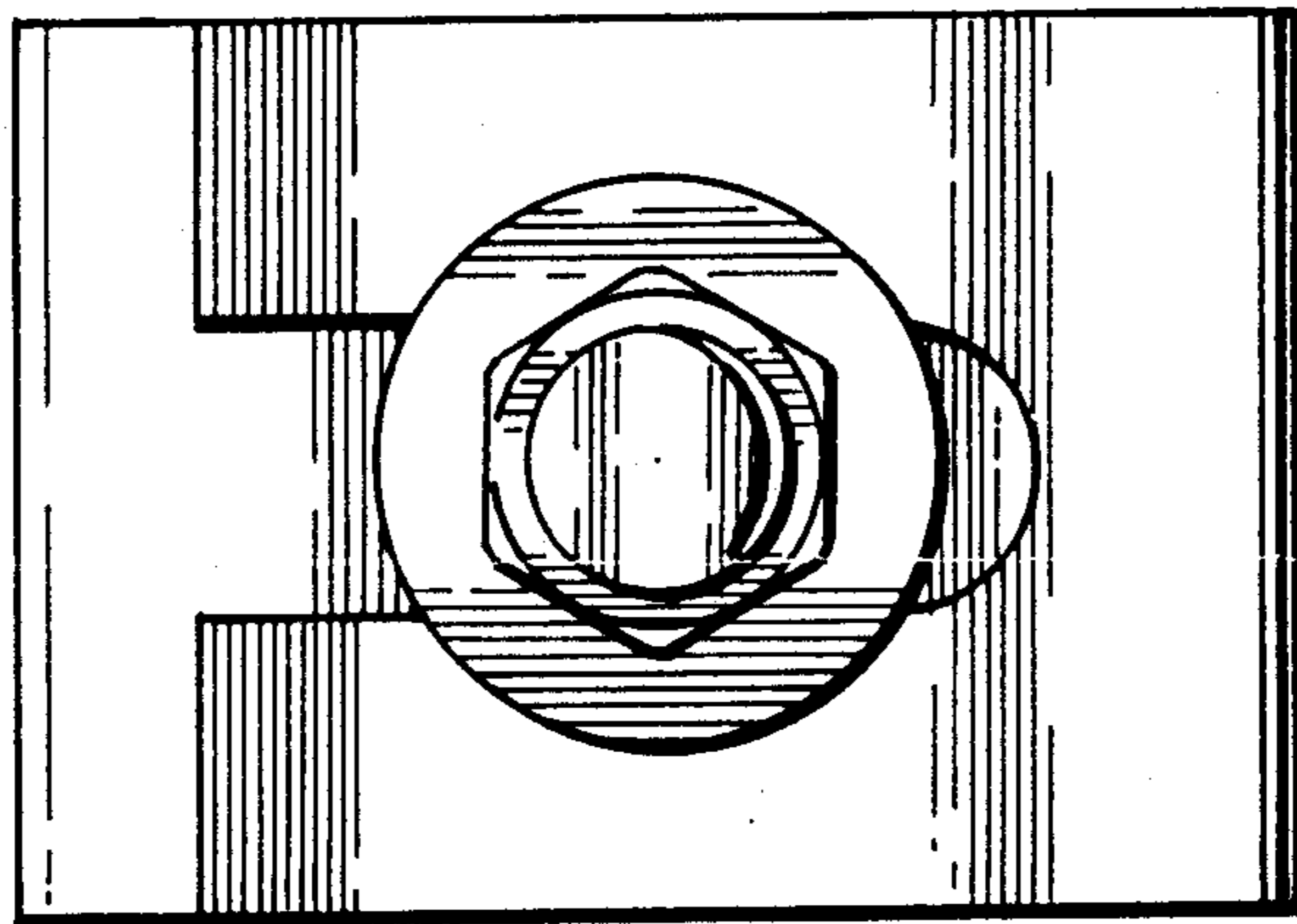


FIG. 10