

[54] LOAD-TRANSFER DEVICE

[75] Inventor: Alan W. Tupper, Chippenham, England

[73] Assignee: Latchways Limited, Wiltshire, England

[**] Term: 14 Years

[21] Appl. No.: 171,295

[22] Filed: Mar. 21, 1988

[30] Foreign Application Priority Data

Oct. 8, 1987 [GB] United Kingdom 1045450

[52] U.S. Cl. D34/33; D34/28

[58] Field of Search D34/33, 28, 35; 104/182, 96, 112

[56] References Cited

U.S. PATENT DOCUMENTS

D. 272,671 2/1984 Tupper D34/33

D. 277,992 3/1985 Tupper D34/28
4,462,316 7/1984 Tupper 104/182

Primary Examiner—Kay H. Chin
Attorney, Agent, or Firm—Scully, Scott, Murphy & Presser

[57] CLAIM

The ornamental design for a load-transfer device, as shown and described.

DESCRIPTION

FIG. 1 is a top and front perspective view of a load-transfer device showing my new design;
FIG. 2 is a rear elevational view thereof, the front elevational view being a mirror image of that shown;
FIG. 3 is a side elevational view thereof, the opposite side elevational view being a mirror image of that shown;
FIG. 4 is a bottom plan view thereof; and
FIG. 5 is a cross sectional view thereof taken along line 5—5 of FIG. 4.

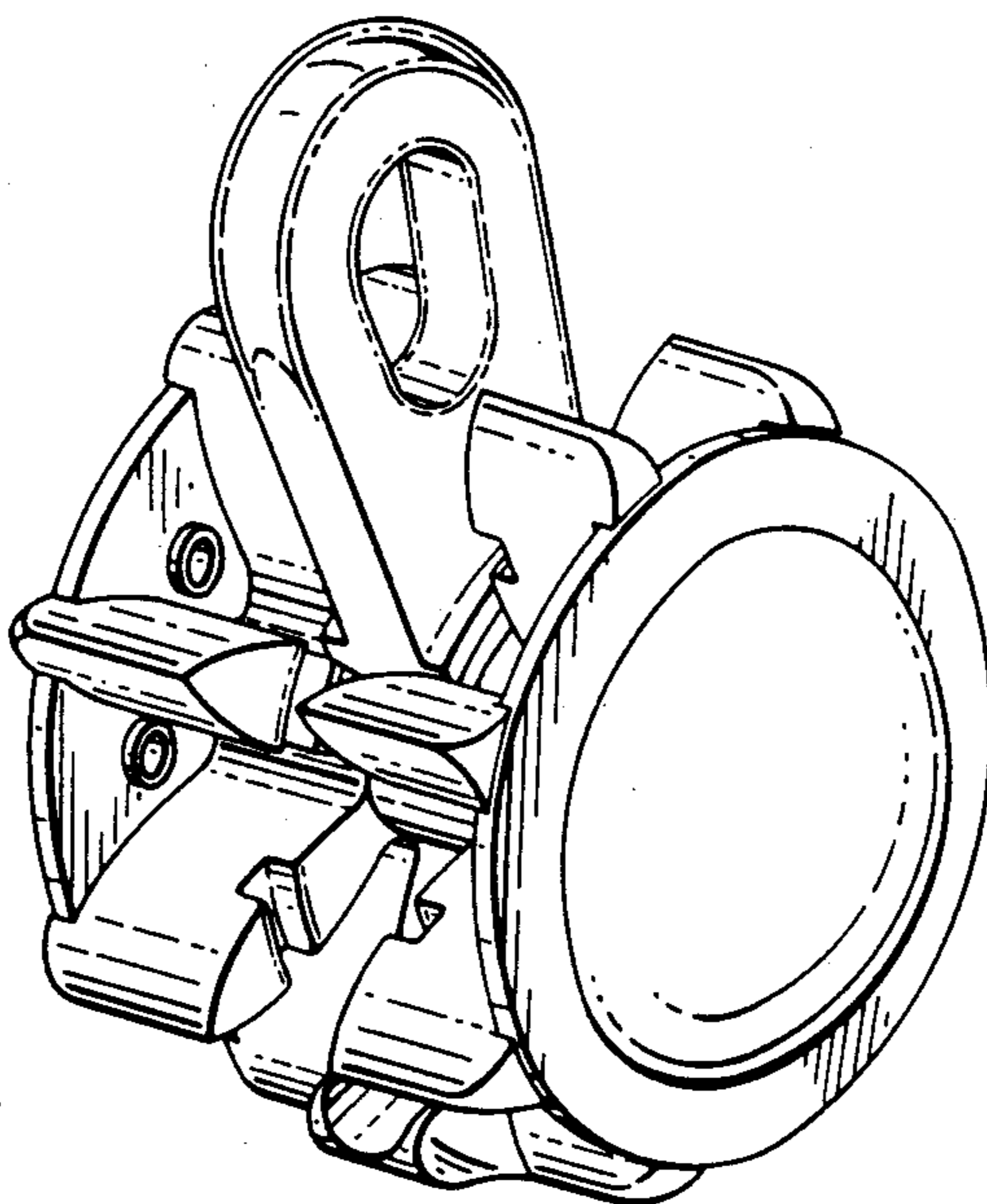
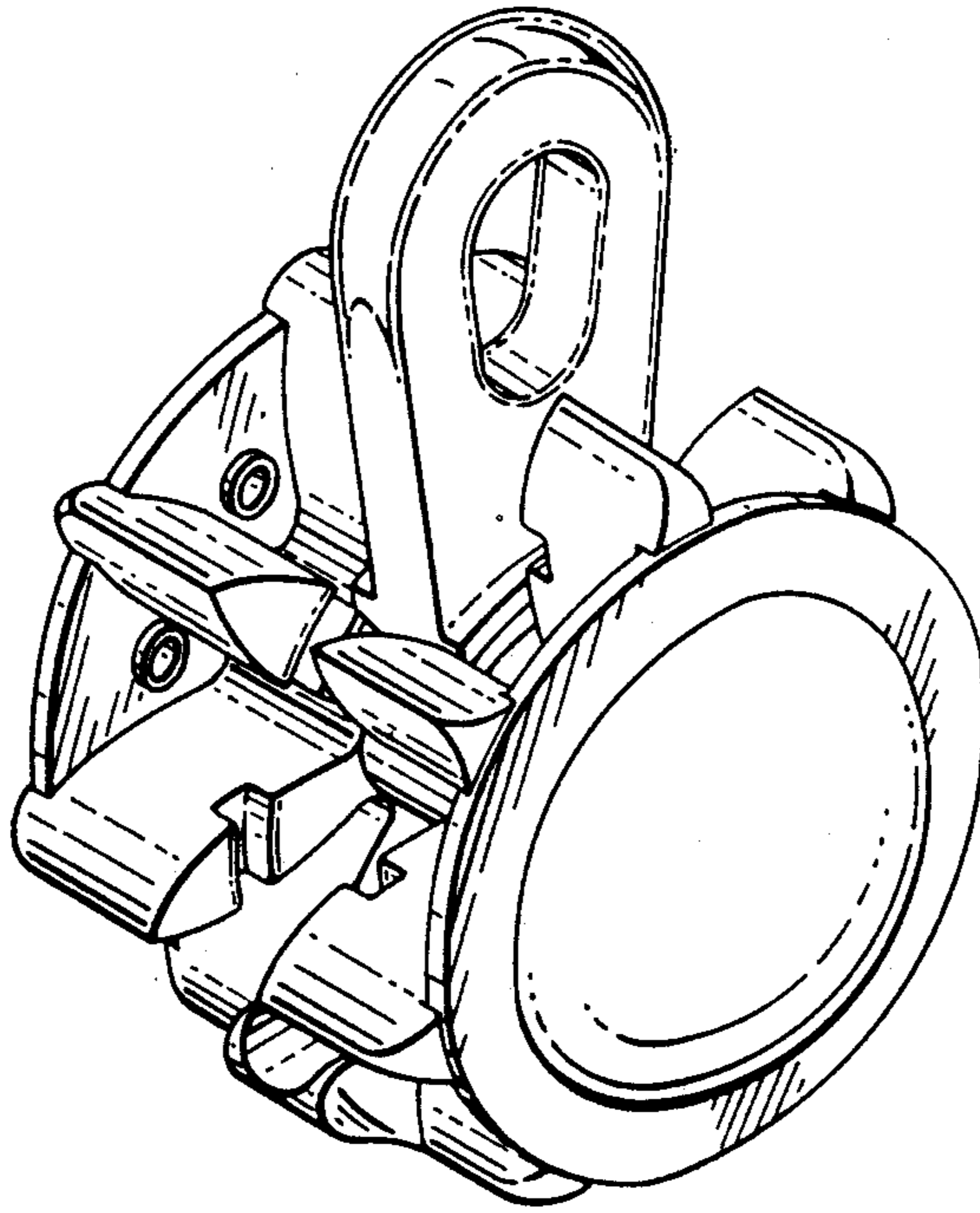


FIG. 1



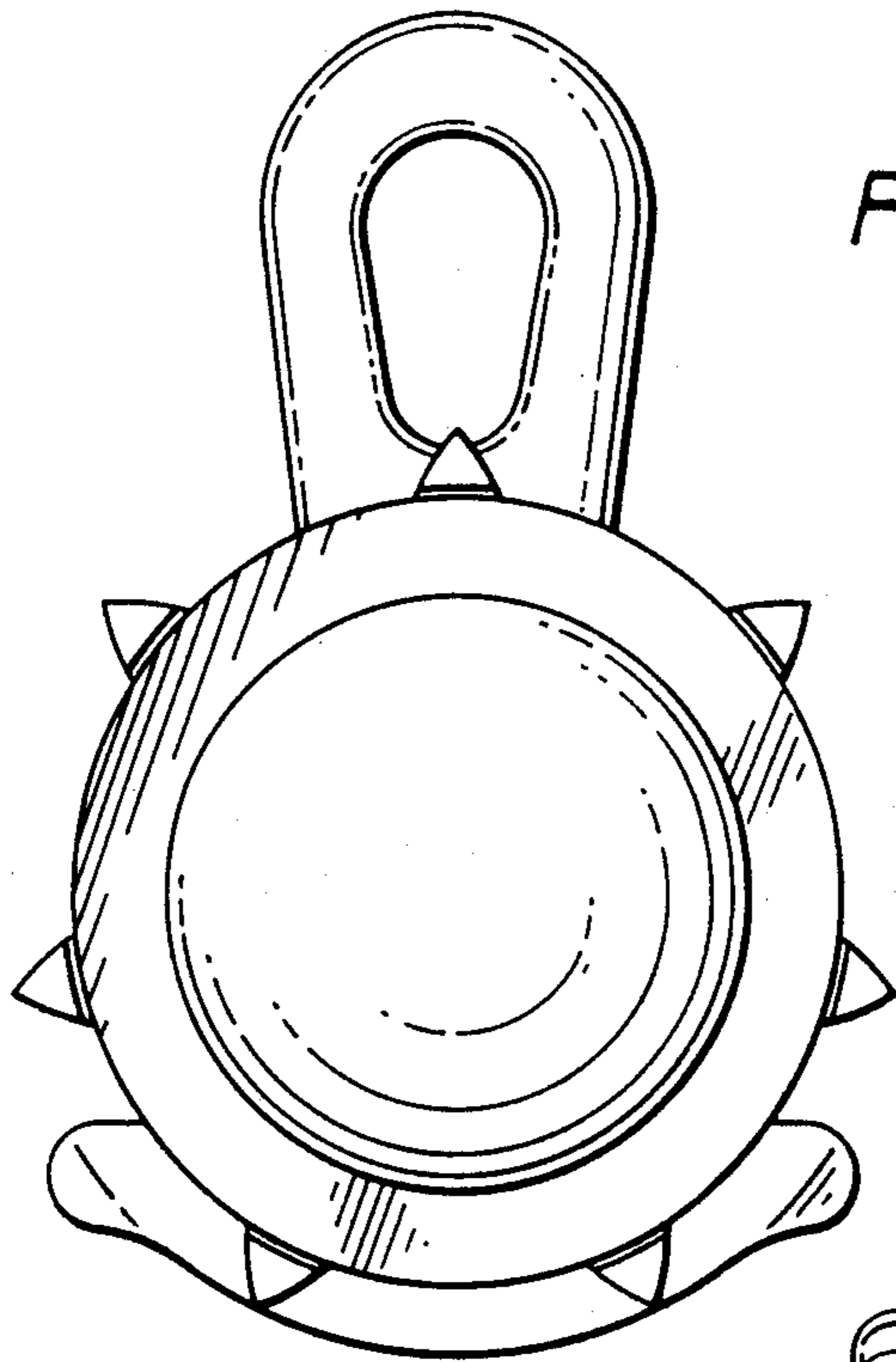


FIG. 2

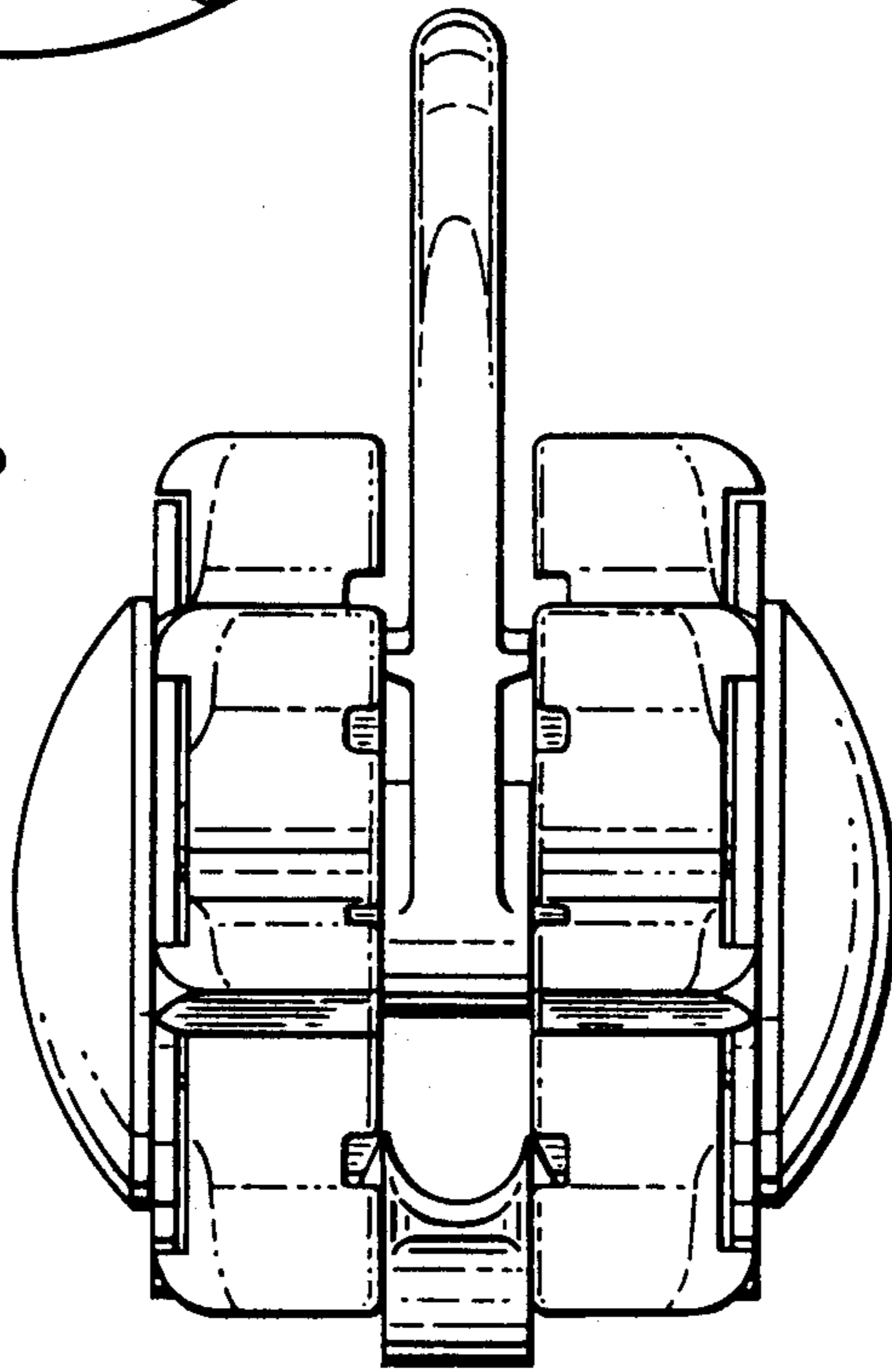


FIG. 3

FIG. 4

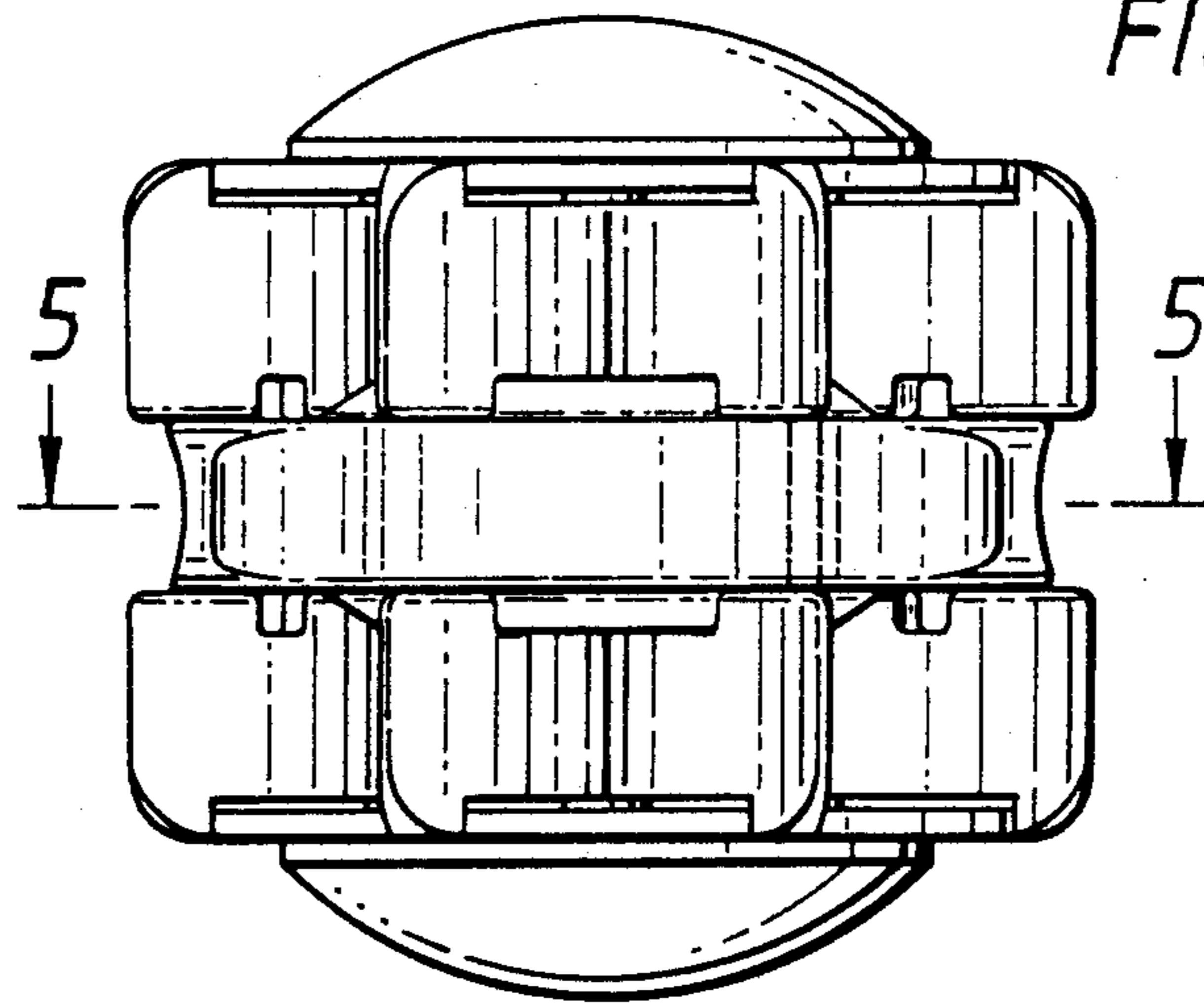


FIG. 5

