

[54] VACUUM CLEANER NOZZLE

[75] Inventors: Hans E. Slany; Reinhard Renner, both of Esslingen; Mahmut Akbulut, Stuttgart-Obertuerkheim, all of Fed. Rep. of Germany

[73] Assignee: Progress Elektrogeraete GmbH, Nuertingen, Fed. Rep. of Germany

[\*\*] Term: 14 Years

[21] Appl. No.: 331,881

[22] Filed: Mar. 30, 1989

[30] Foreign Application Priority Data

Sep. 30, 1988 [DE] Fed. Rep. of Germany ..... 8802207

[52] U.S. Cl. .... D32/33

[58] Field of Search ..... D32/25, 31-34; 15/415 R, 415 A, 418, 419, 420, 421, 422

[56] References Cited

U.S. PATENT DOCUMENTS

D. 230,345 2/1974 Brown et al. .... D32/32  
D. 248,476 7/1978 Haynes ..... D32/32

D. 262,708 1/1982 Essex ..... D32/32  
D. 263,236 3/1982 Veda ..... D32/32  
D. 298,876 12/1988 Yamamoto et al. .... D32/33

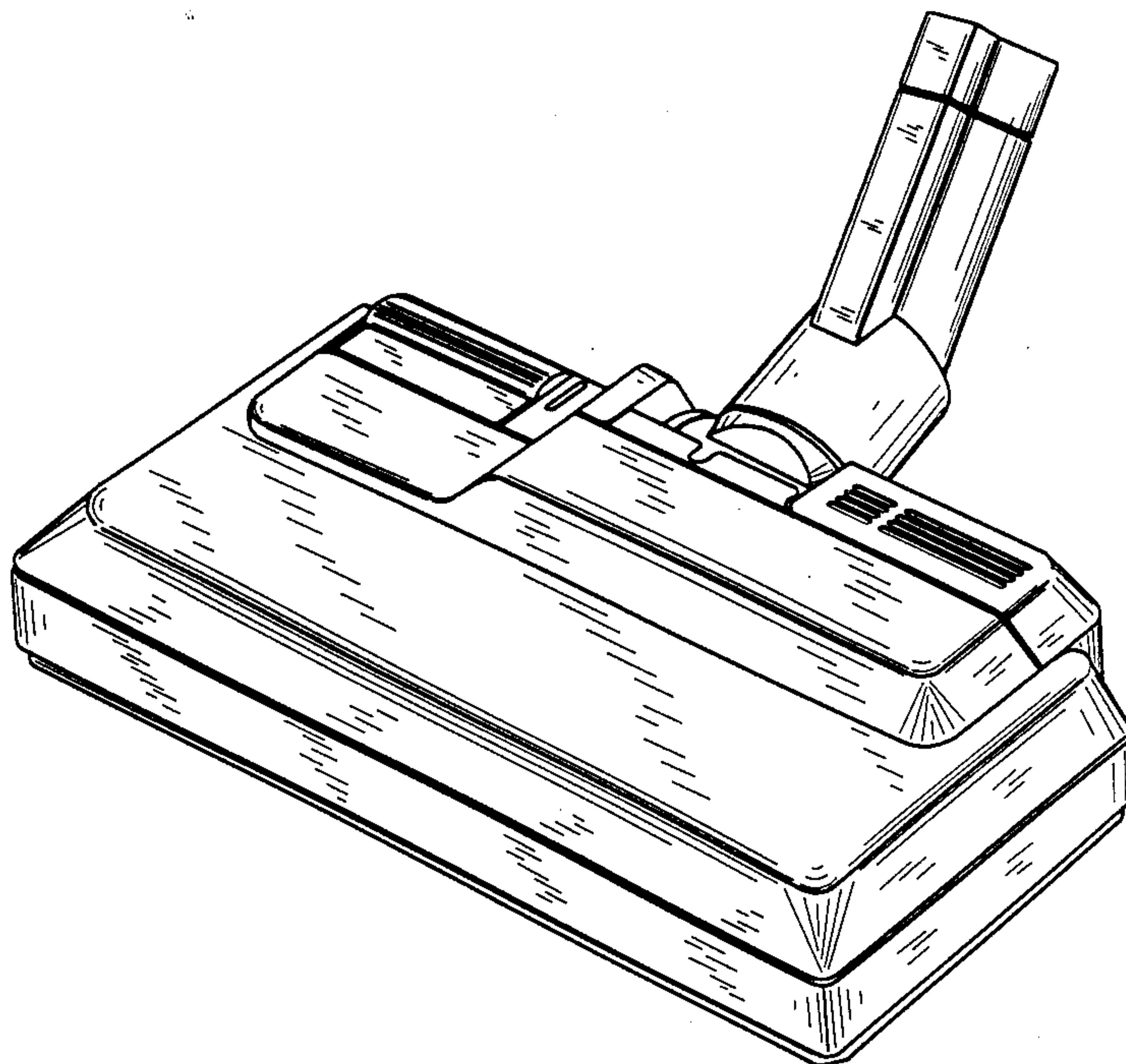
Primary Examiner—A. Hugo Word  
Assistant Examiner—Ruth McInroy  
Attorney, Agent, or Firm—Pearne, Gordon, McCoy & Granger

[57] CLAIM

The ornamental design for vacuum cleaner nozzle, as shown.

DESCRIPTION

FIG. 1 is a top, front and left side perspective view of a vacuum cleaner nozzle showing our new design; FIG. 2 is a top, rear and left side perspective view thereof; FIG. 3 is a left side elevational view thereof; FIG. 4 is a right side elevational view thereof; FIG. 5 is a top perspective view thereof; FIG. 6 is another top perspective view thereof; FIG. 7 is a front elevational view thereof; FIG. 8 is a rear elevational view thereof; and FIG. 9 is a bottom plan view thereof.



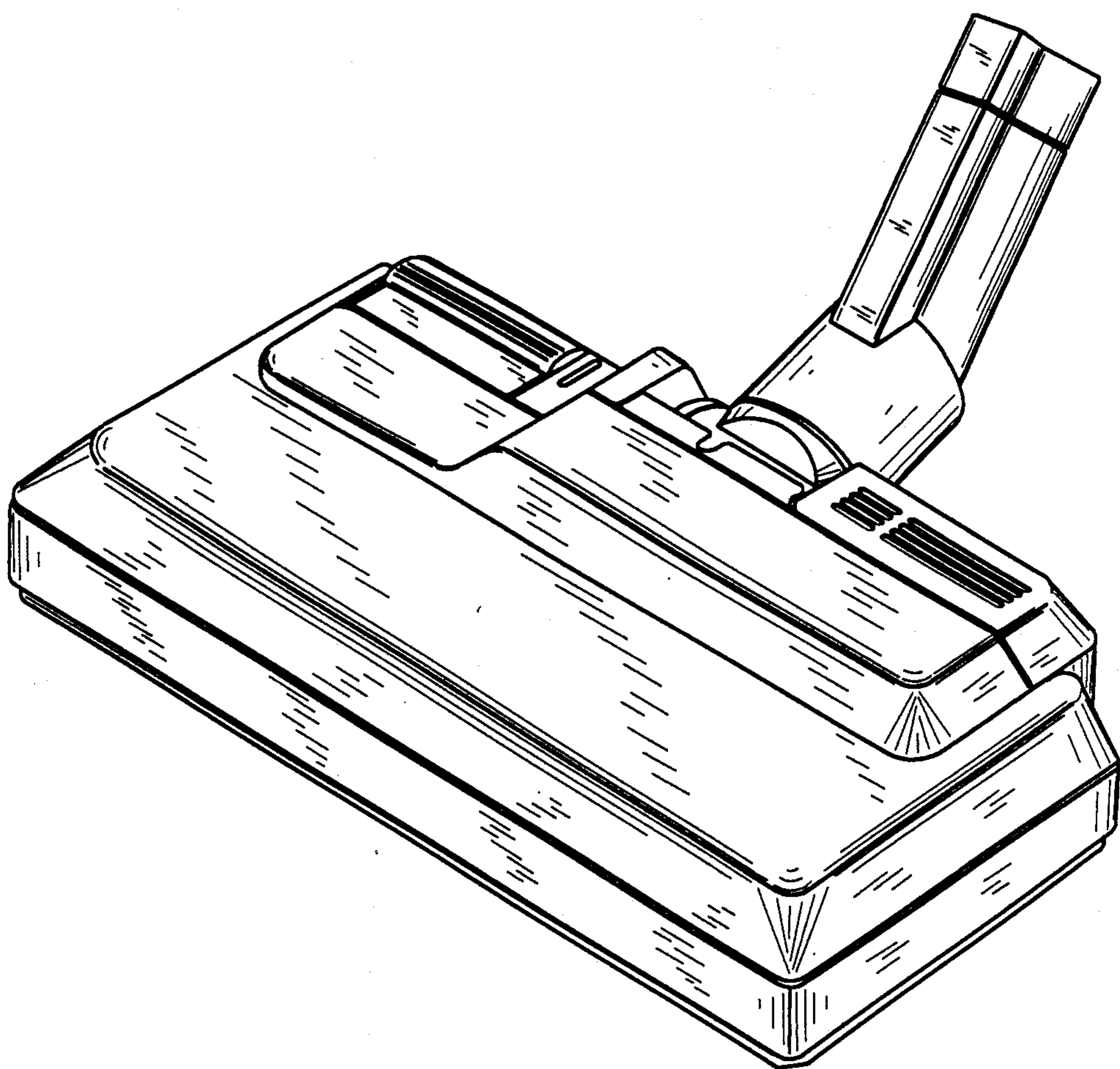


Fig. 1

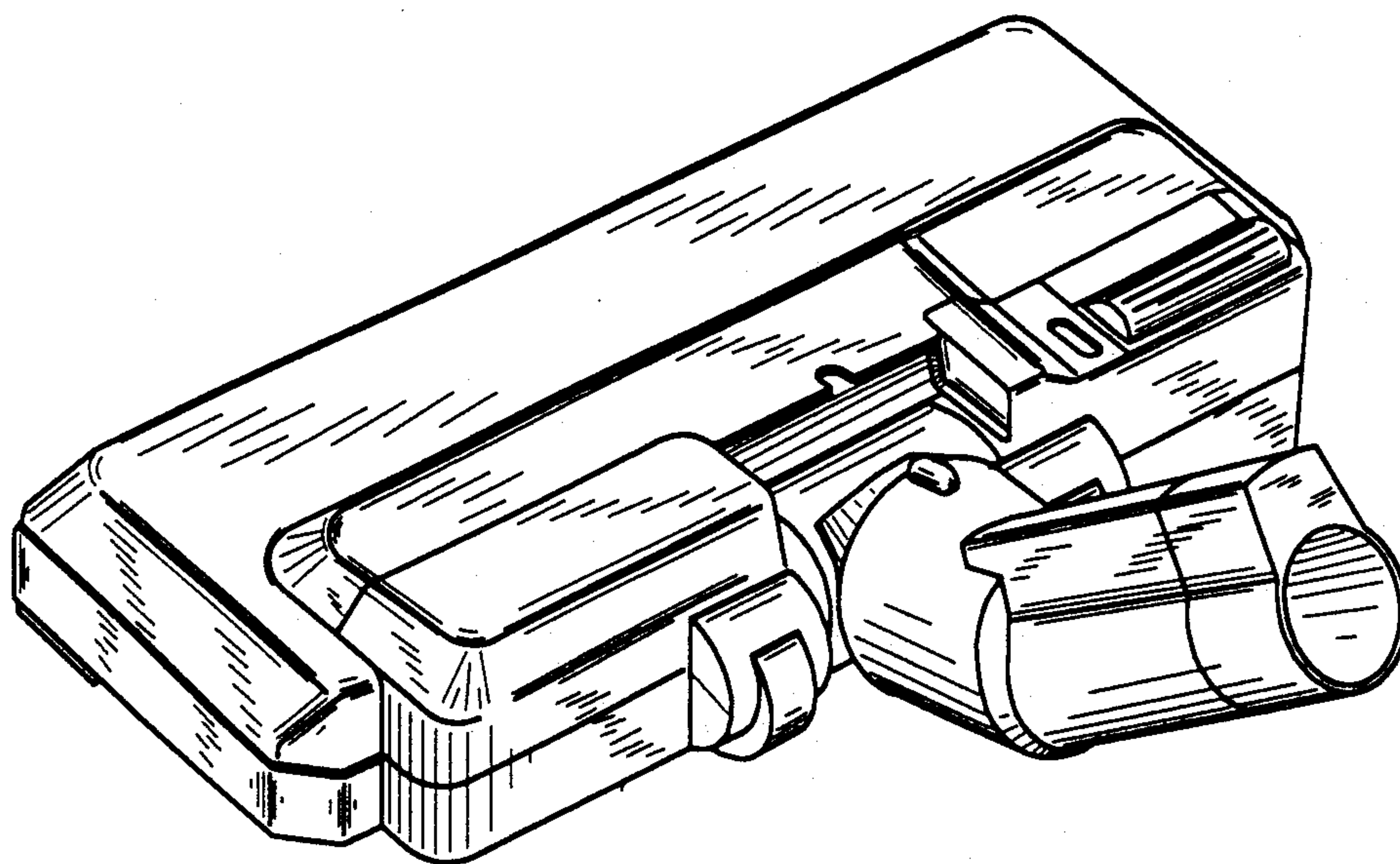


Fig. 2

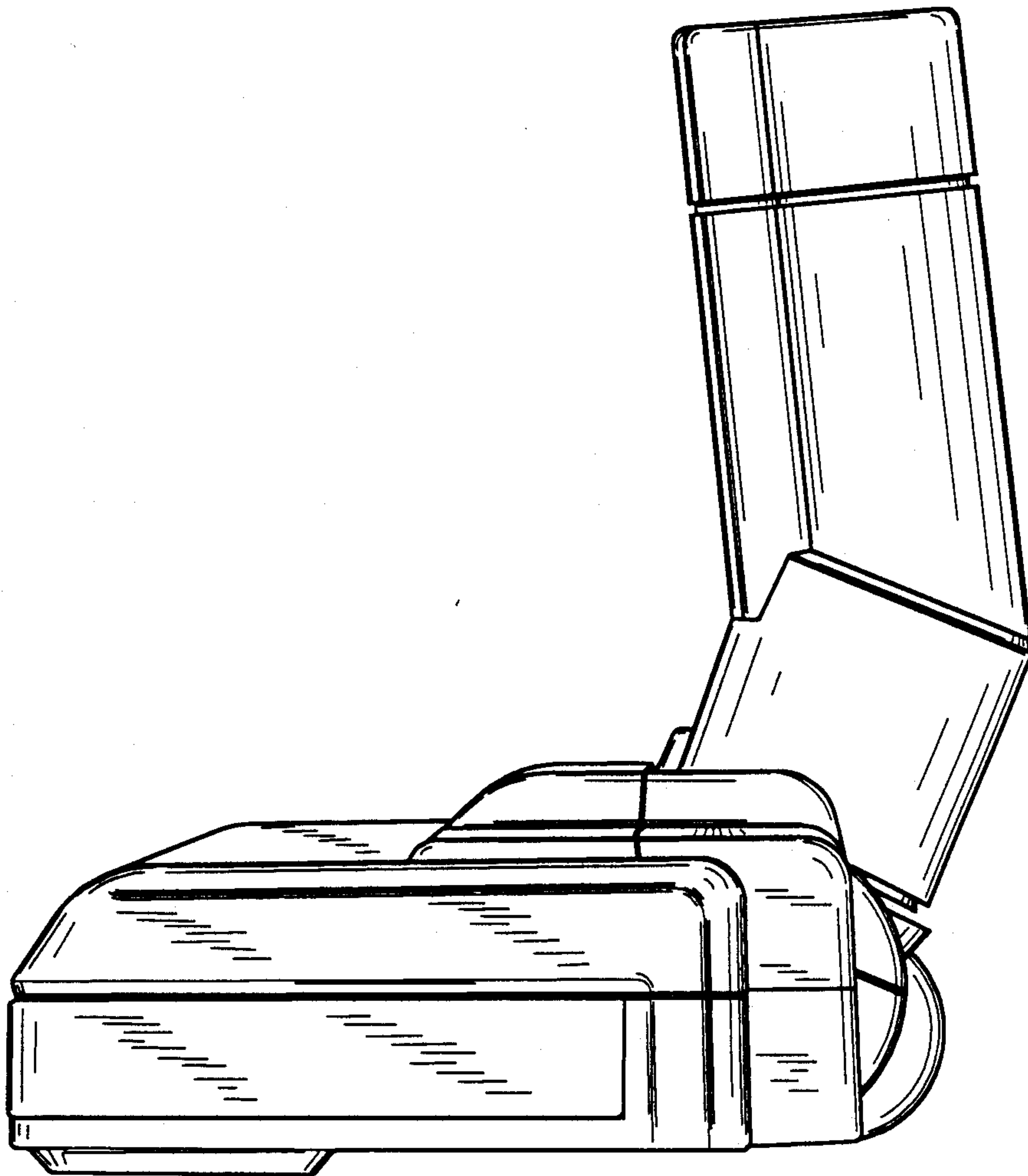


Fig. 3



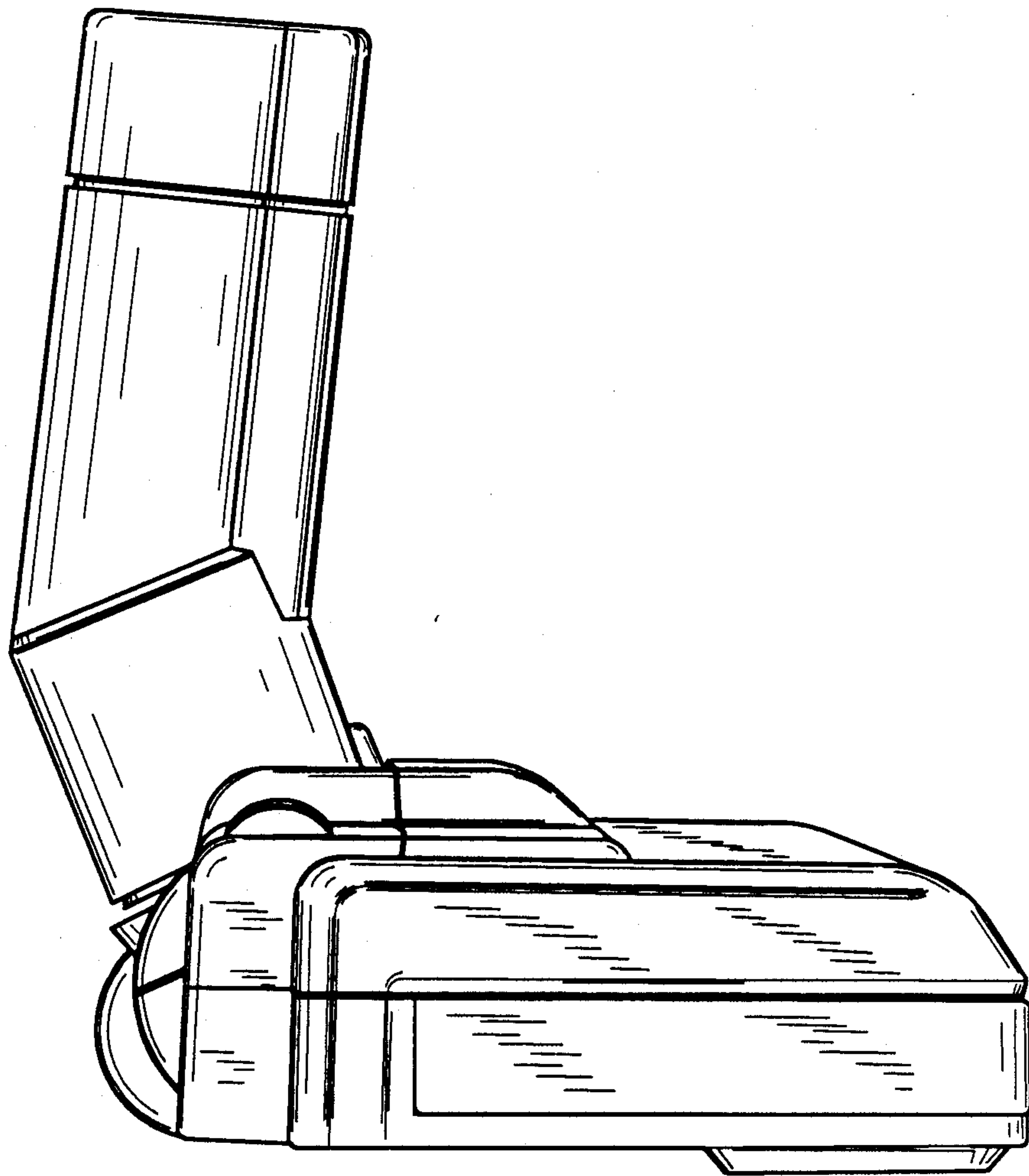


Fig. 4

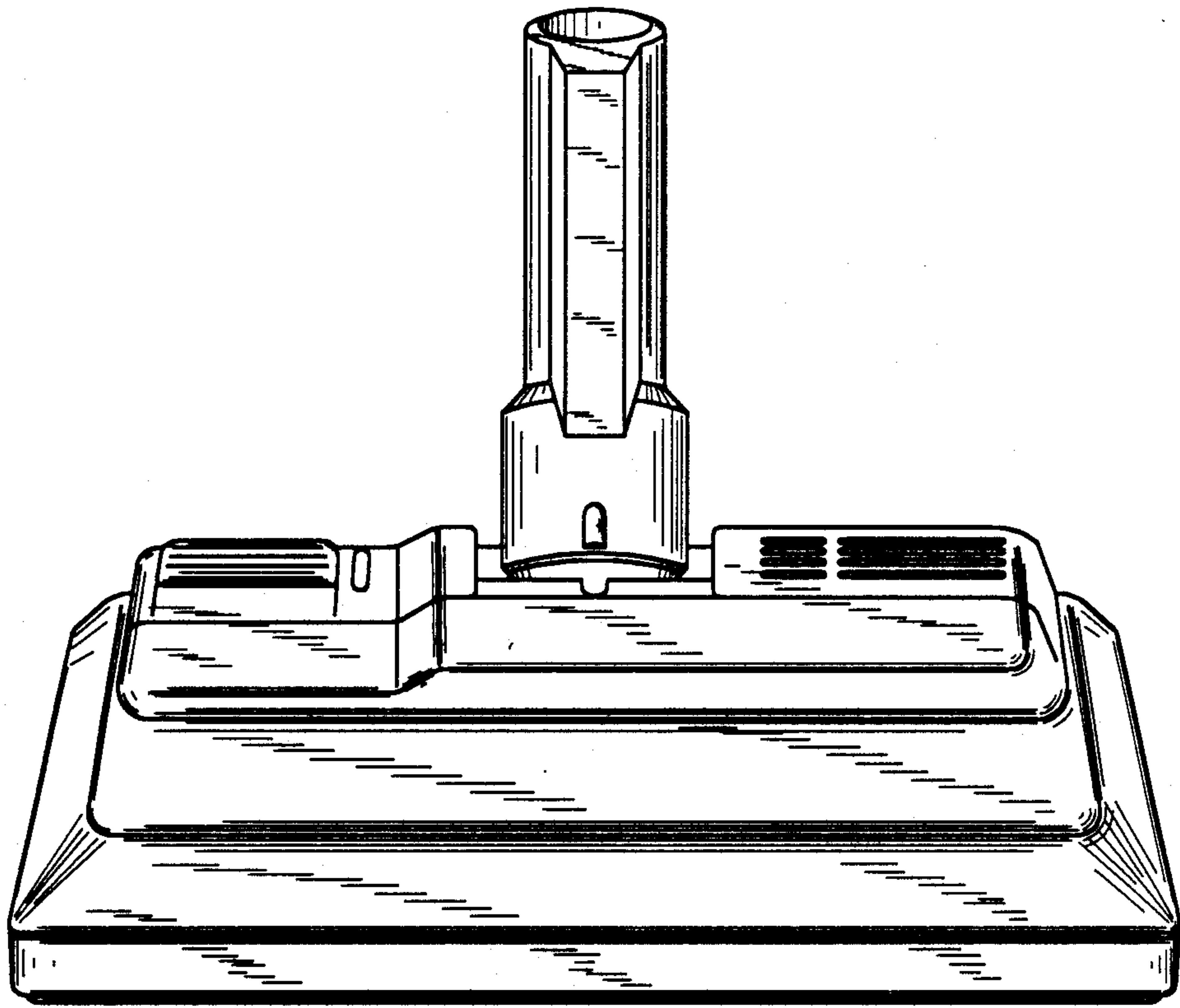


Fig. 5

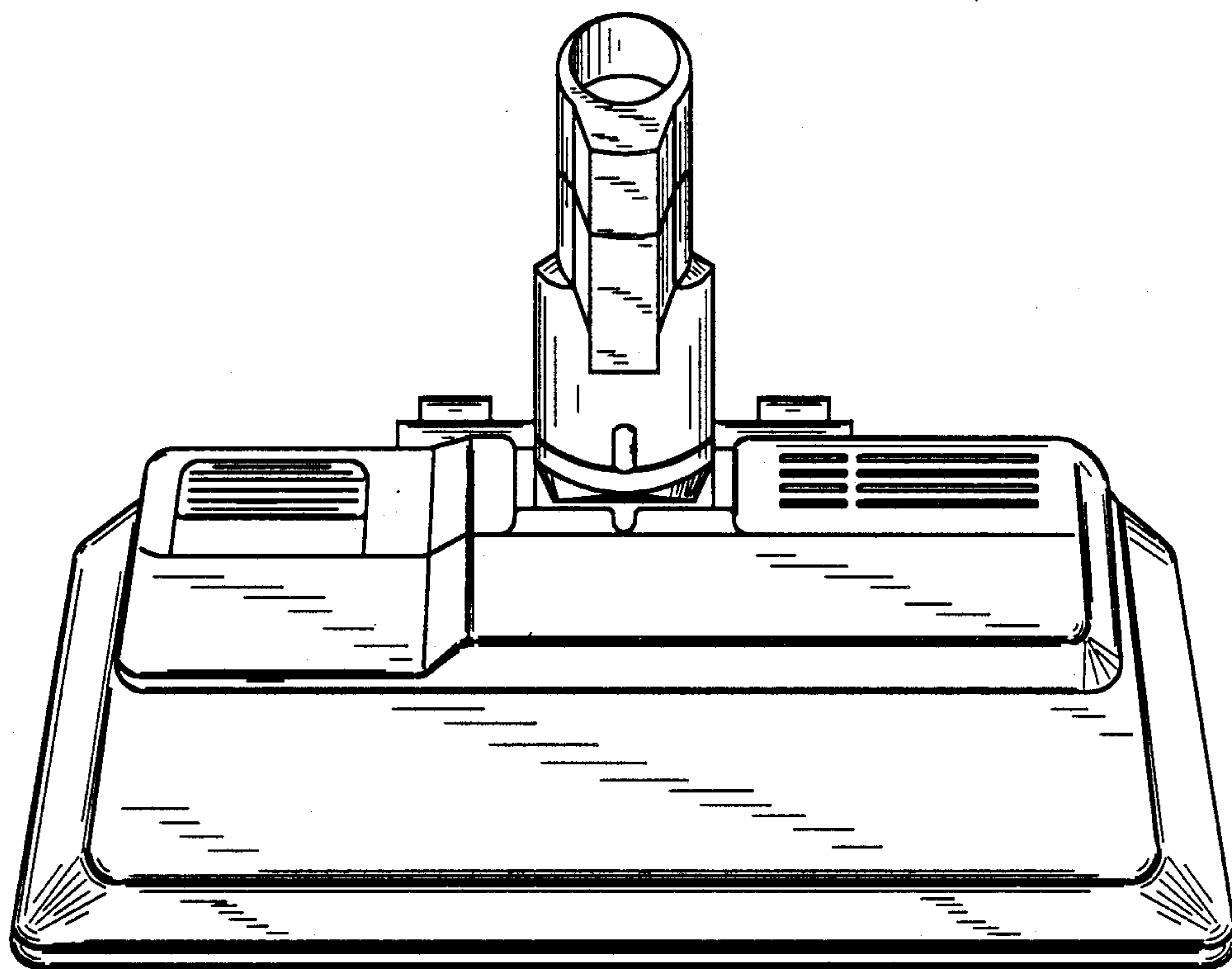


Fig. 6

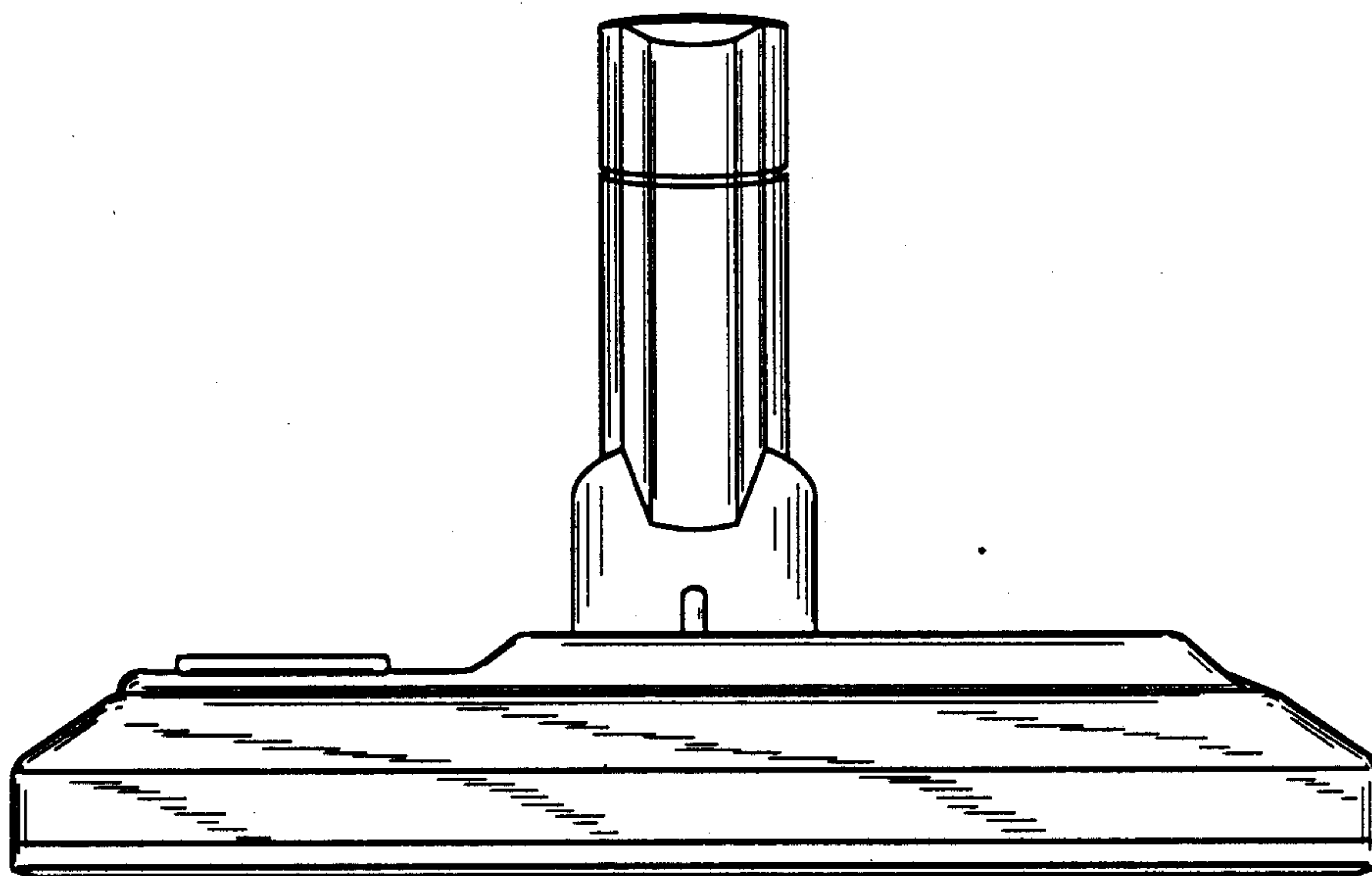


Fig. 7



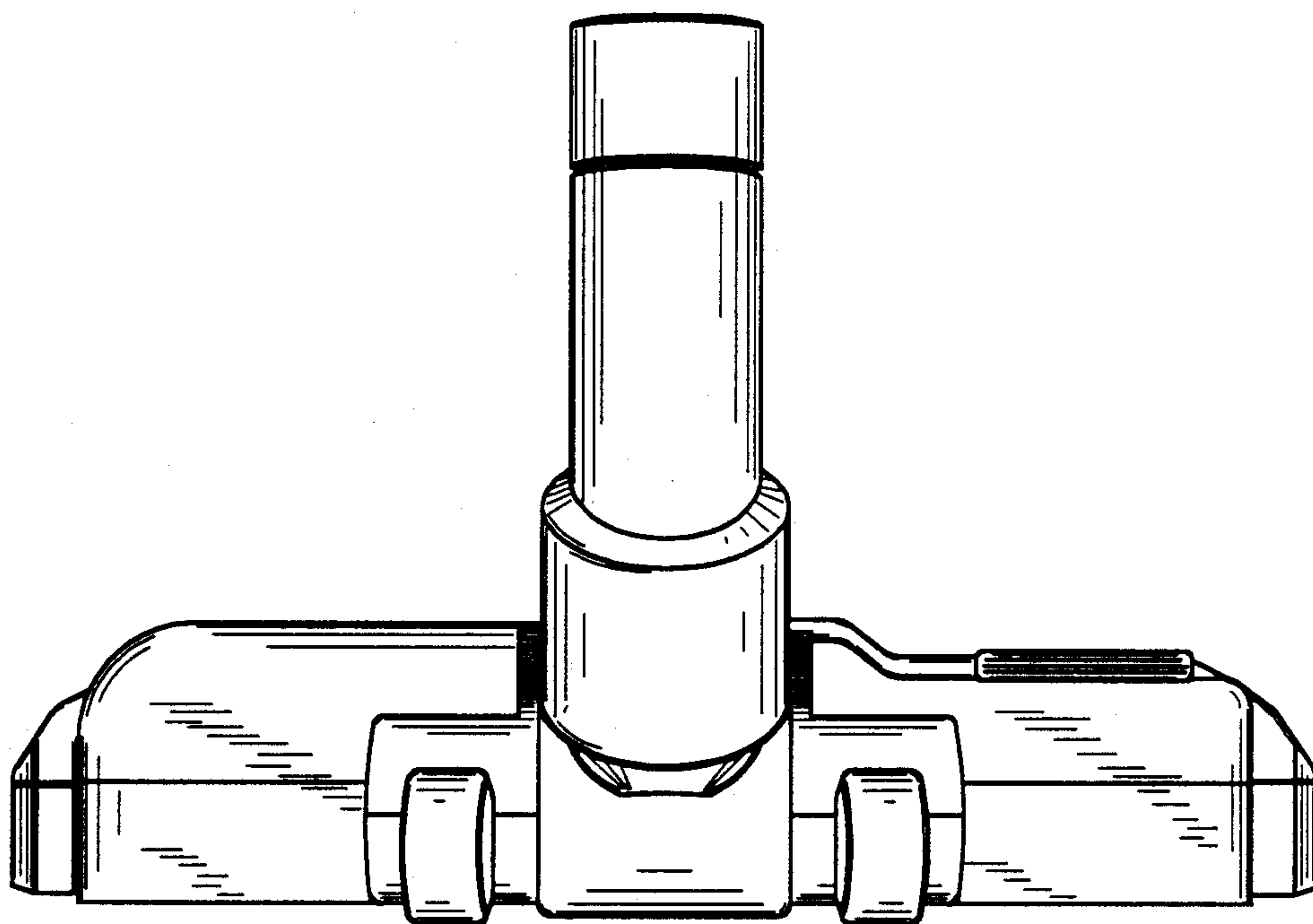


Fig. 8

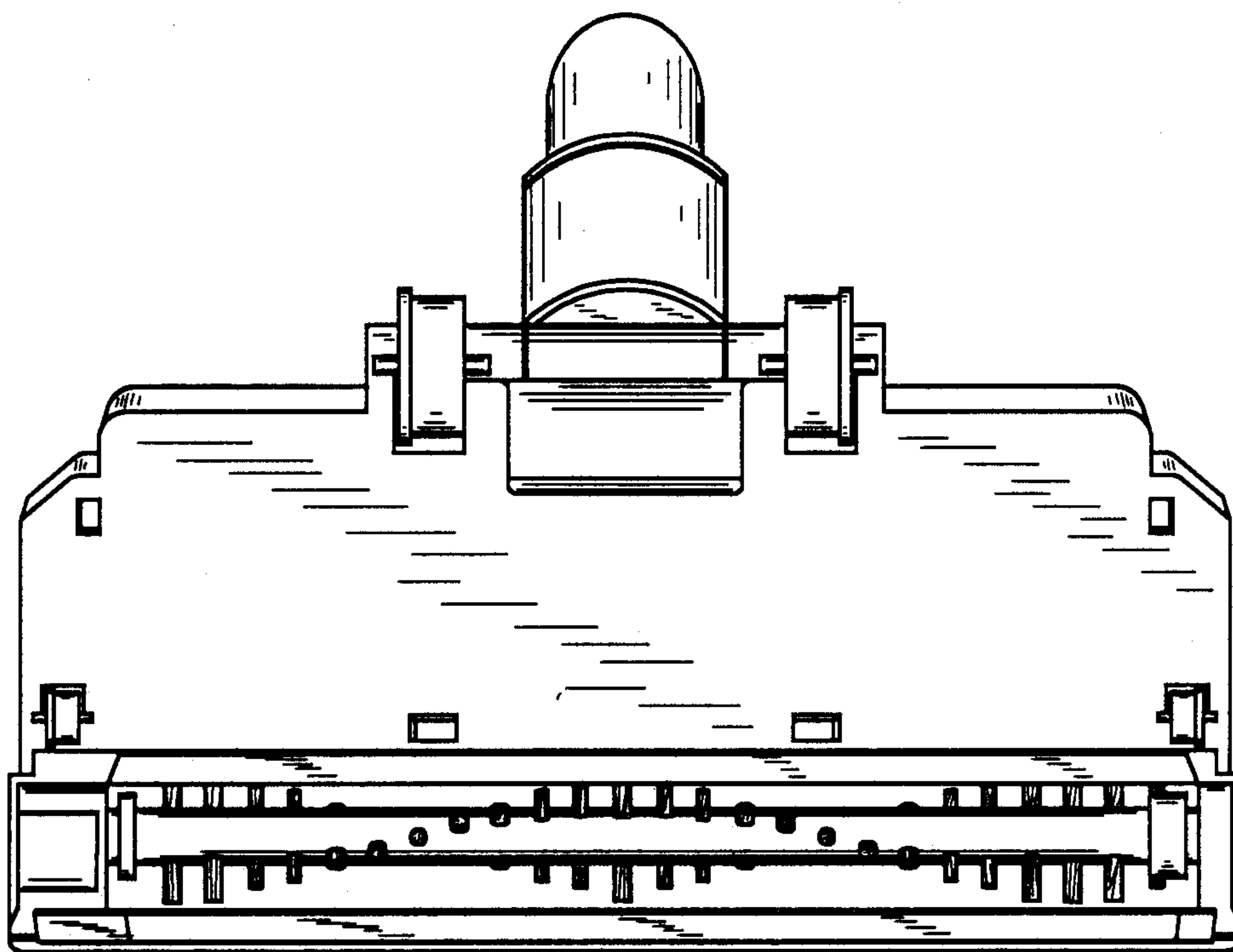


Fig. 9