

[54] COSMETIC CASE

[75] Inventor: **Karena Bakic**, Varese, Italy

[73] Assignee: **Cosmede Anstalt**, Vaduz, Liechtenstein

[\*\*] Term: **14 Years**

[21] Appl. No.: **248,483**

[22] Filed: **Sep. 23, 1988**

[30] Foreign Application Priority Data

Mar. 25, 1988 [DE] Fed. Rep. of Germany ..... URA 456/88

[52] U.S. Cl. .... **D28/77**

[58] Field of Search ..... D28/61, 76-84; D9/341, 337, 420, 430; D3/30.1, 39; 206/235, 385, 581, 823, 37, 38; 220/DIG. 26; 132/286, 293

[56] References Cited

U.S. PATENT DOCUMENTS

- D. 264,510 5/1982 Boyd ..... D28/78
- D. 295,452 4/1988 Bakic ..... D28/83
- 1,612,709 12/1926 Anderson ..... 132/295
- 1,936,273 11/1933 Segal ..... 206/235 X

FOREIGN PATENT DOCUMENTS

657108 5/1929 France ..... 132/304

OTHER PUBLICATIONS

Beauty Fashion; 2/1986, p. 22, #077 and 085.  
Vogue, 4/1987, p. 175, Compact (open) on bottom left.

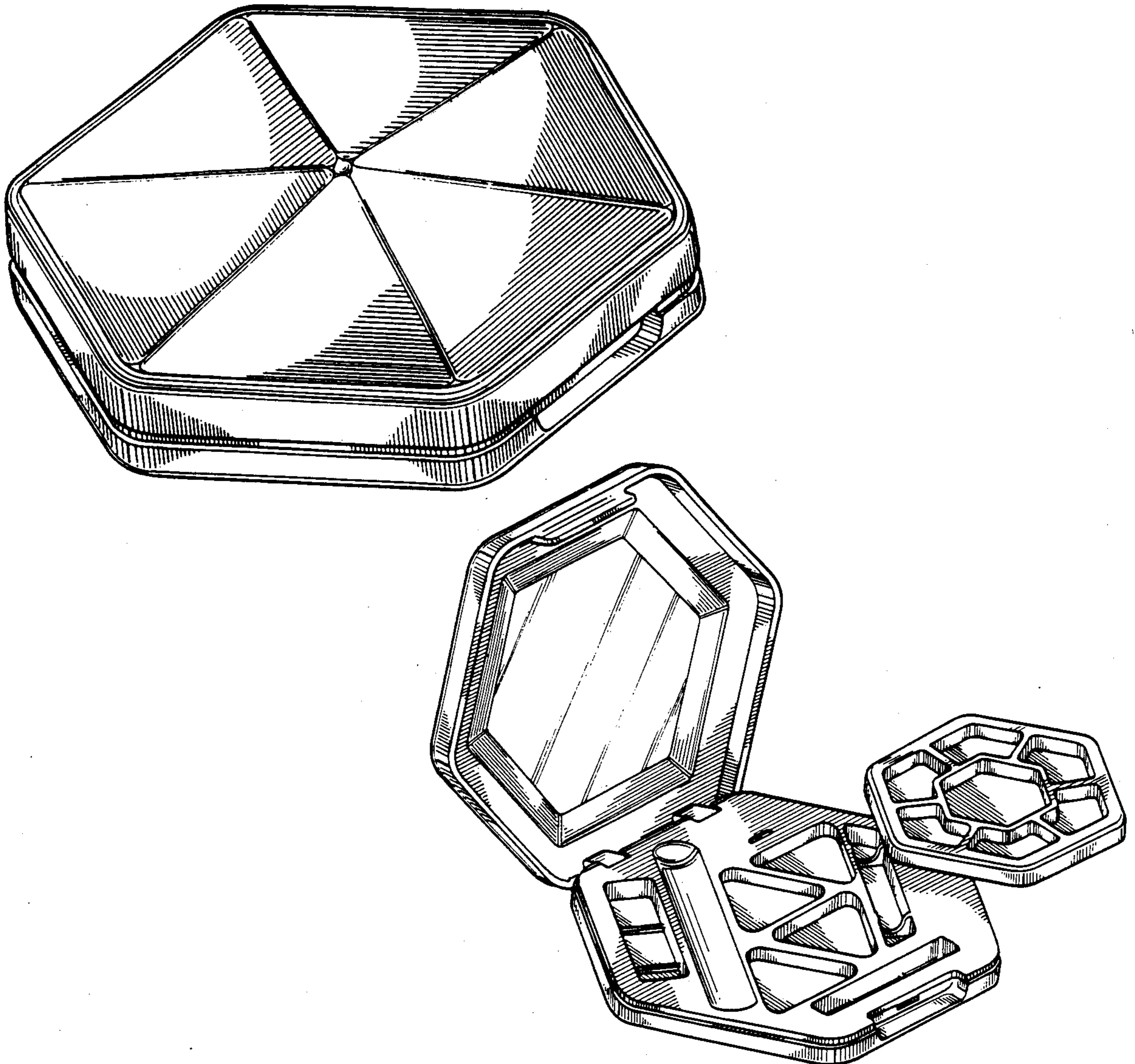
Primary Examiner—Bernard Ansher  
Assistant Examiner—C. Tuttle  
Attorney, Agent, or Firm—Kenyon & Kenyon

[57] CLAIM

The ornamental design for a cosmetic case, as shown and described.

DESCRIPTION

FIG. 1 is a top perspective view of a cosmetic case showing my new design;  
FIG. 2 is a bottom perspective view thereof;  
FIG. 3 is an exploded perspective view thereof;  
FIG. 4 is a front elevational view thereof;  
FIG. 5 is a top plan view thereof;  
FIG. 6 is a rear elevational view thereof;  
FIG. 7 is a bottom plan view thereof;  
FIG. 8 is a right side elevational view thereof.



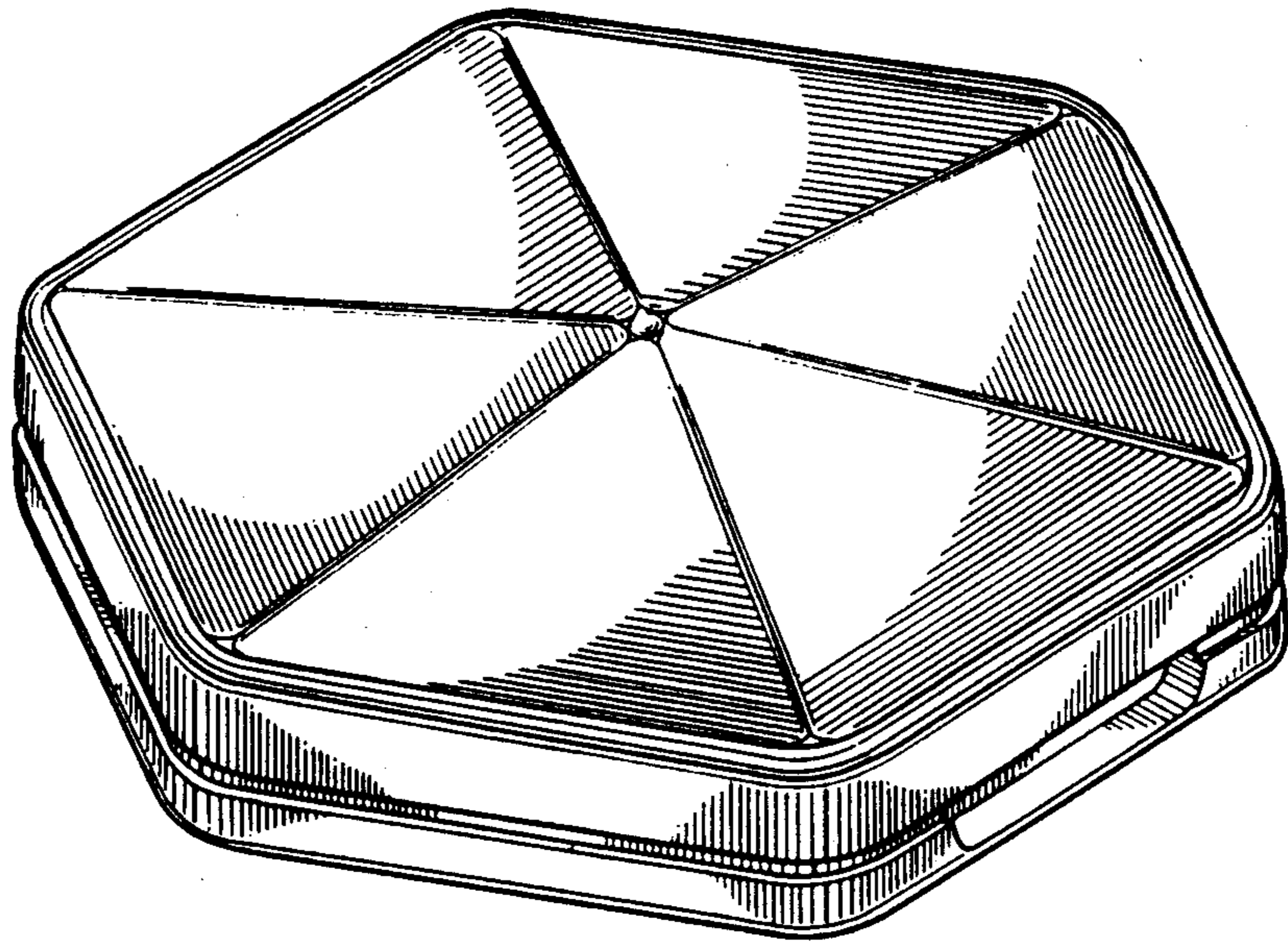


FIG. 1

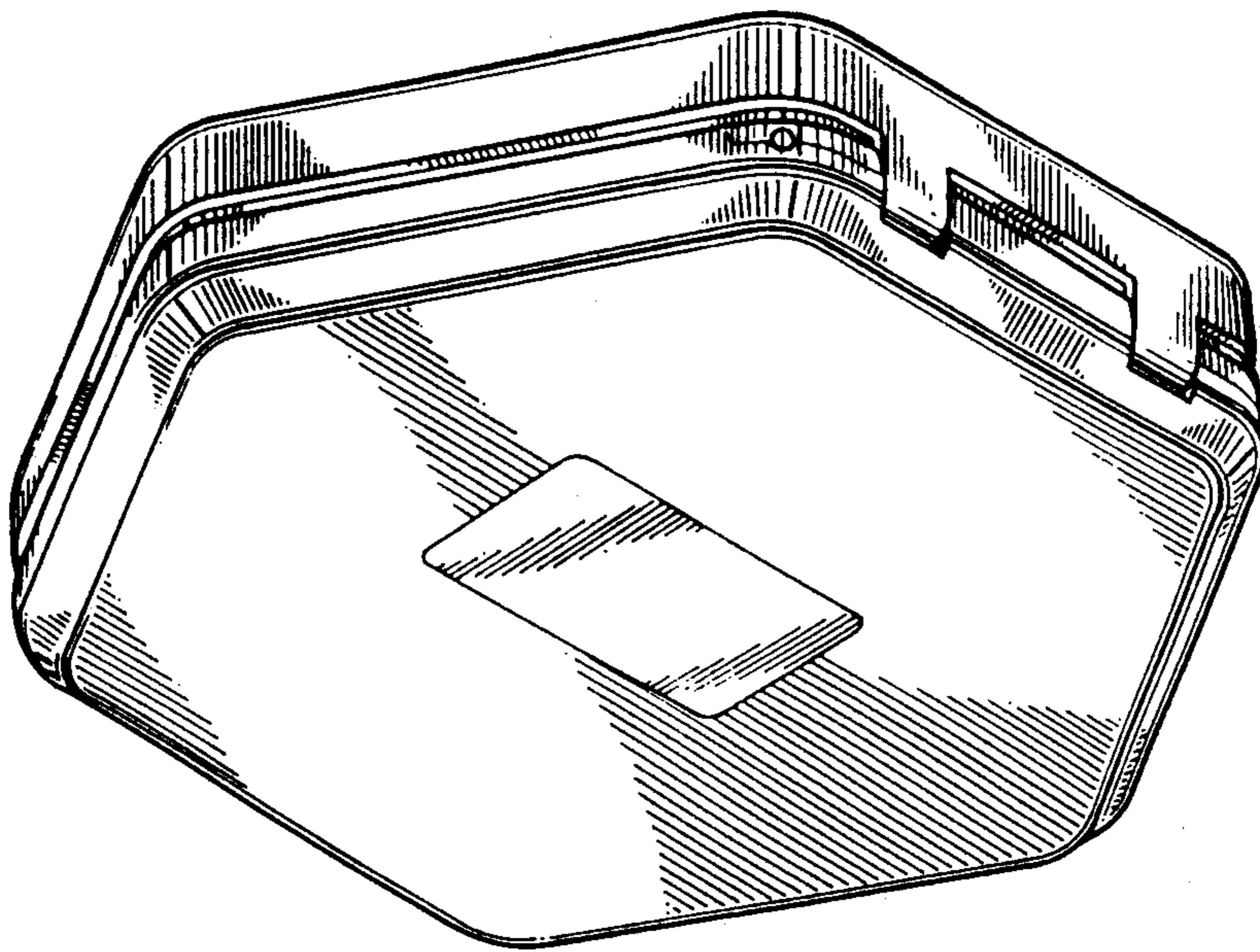


FIG. 2



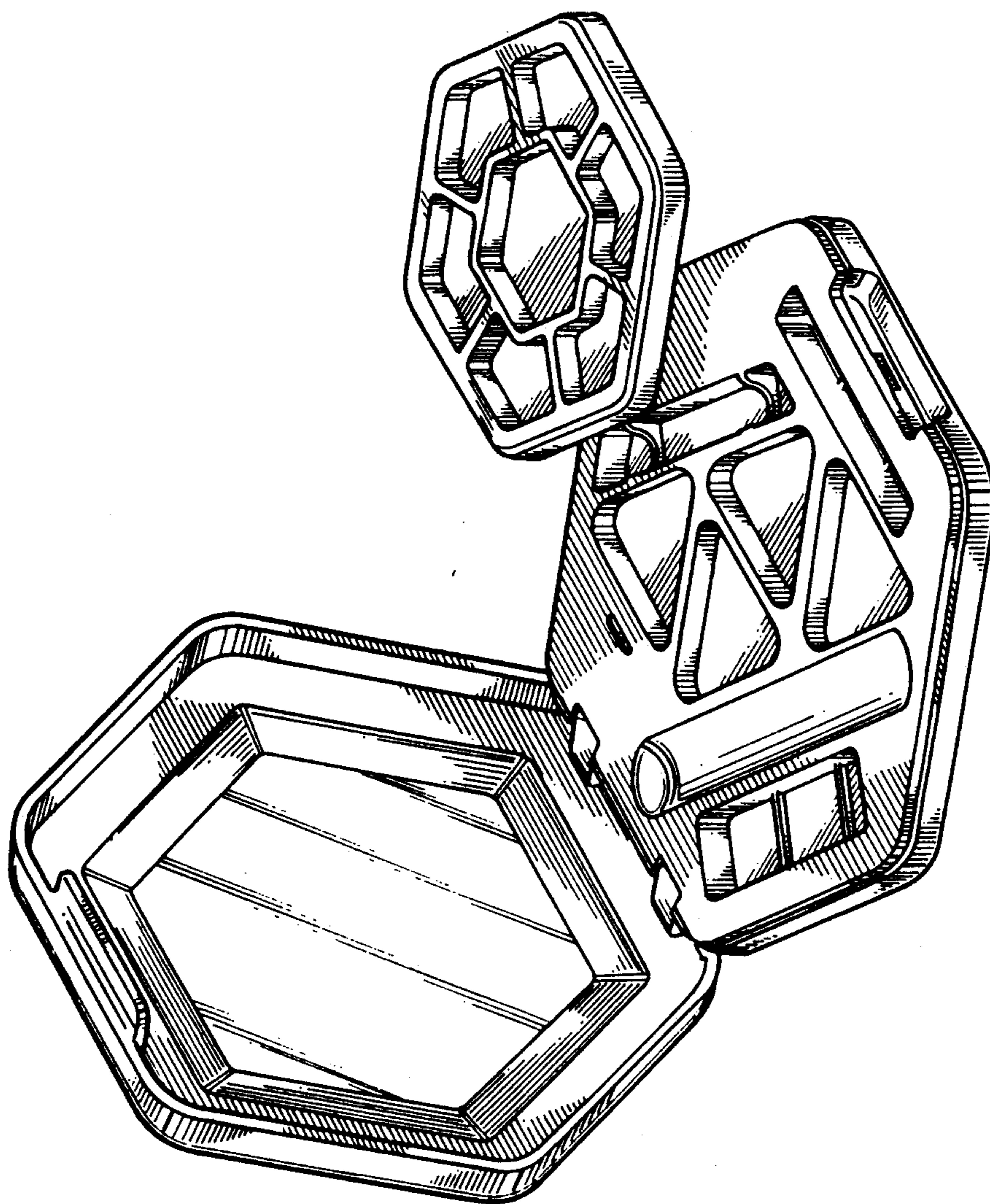


FIG. 3

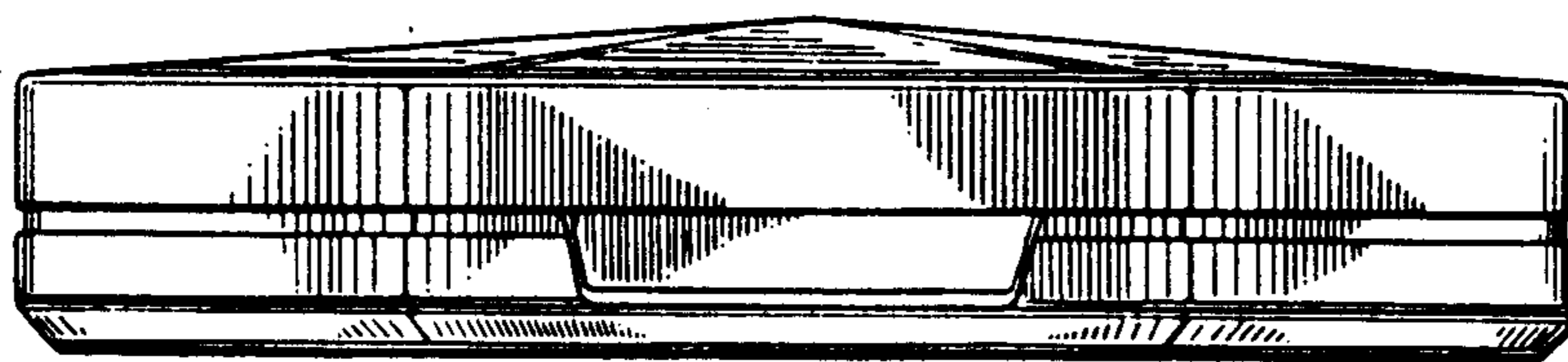


FIG. 4

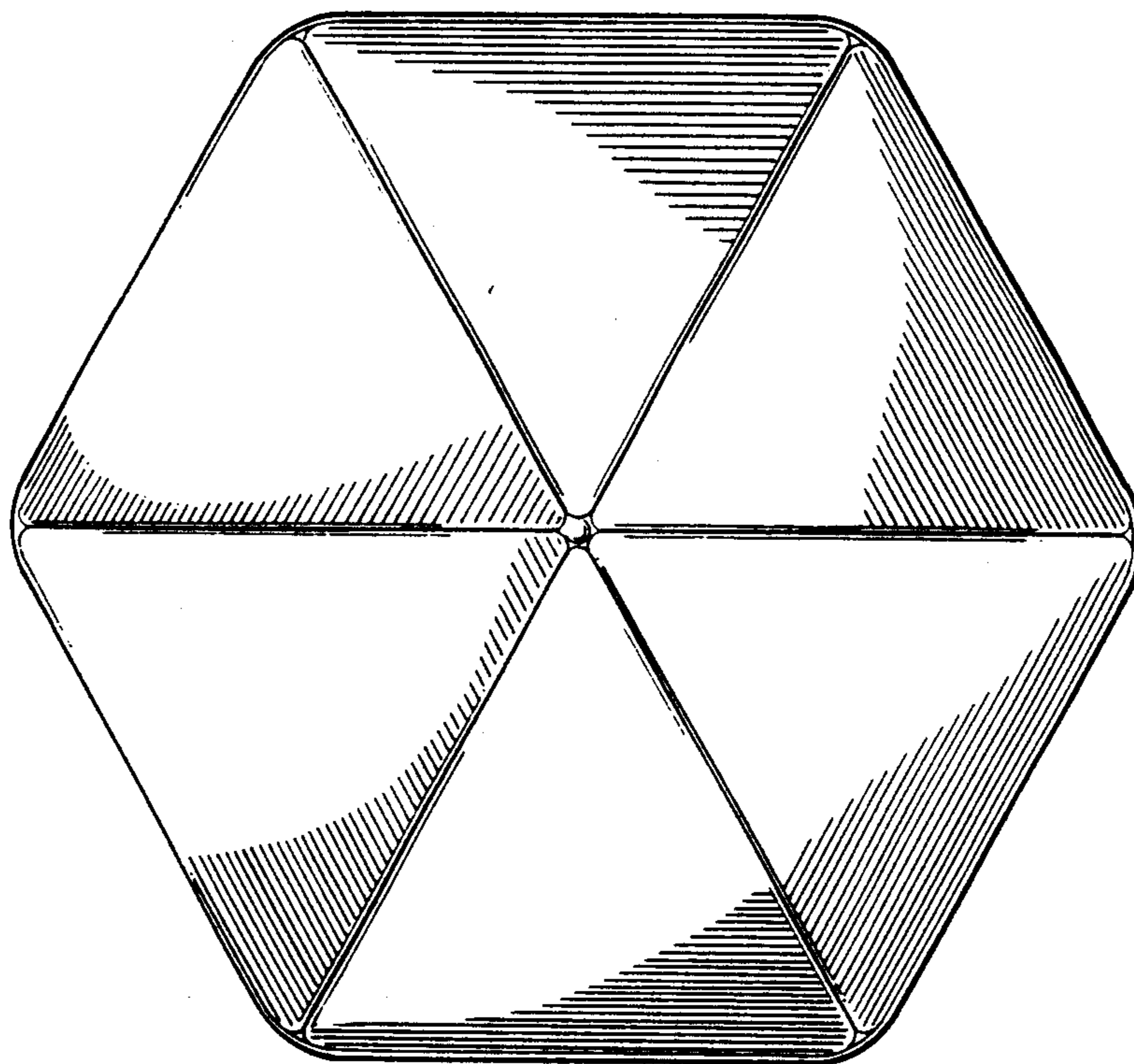


FIG. 5

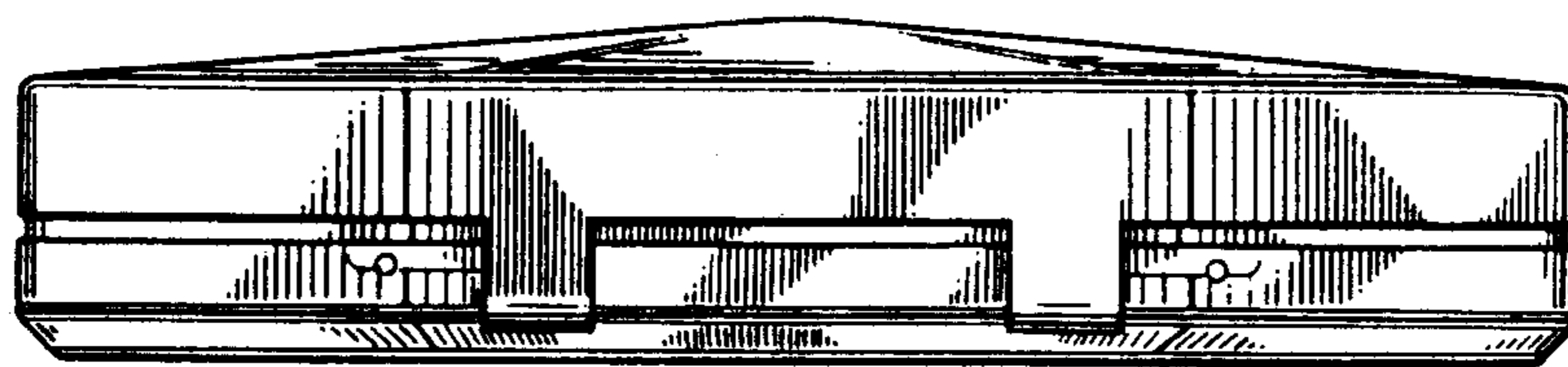


FIG. 6

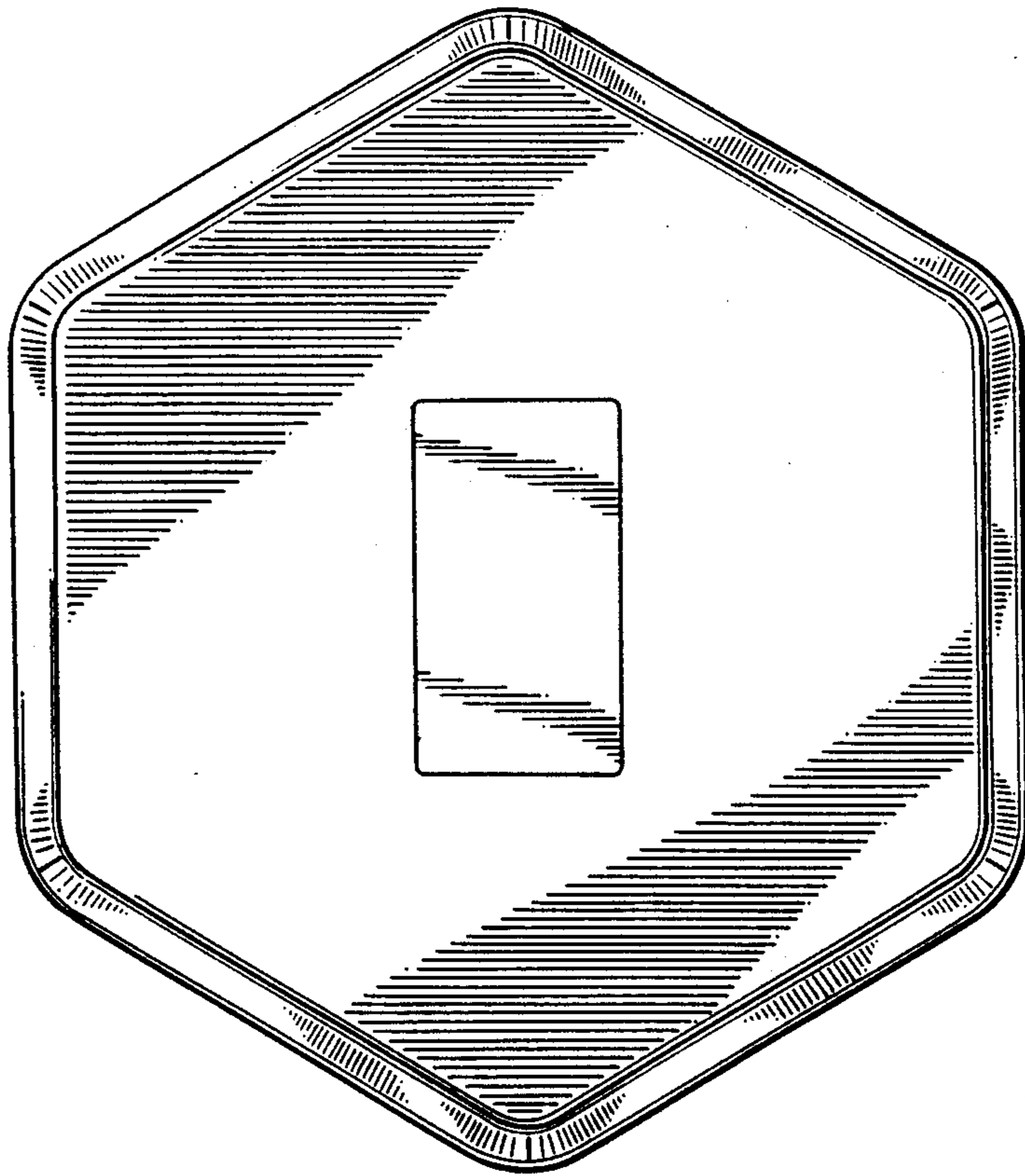


FIG. 7

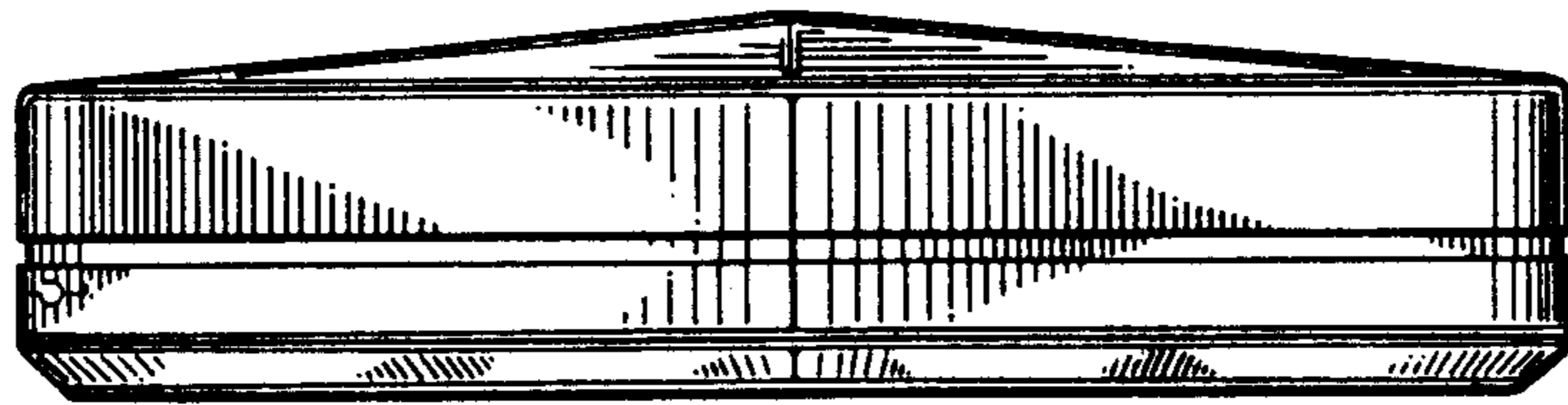


FIG. 8