

[54] **CABINET AND HEATING PLATE FOR A HAIRSETTER**

[75] **Inventors:** James G. Montagnino; Daniel Santhouse; Richard A. Gibson, Jr., all of El Paso, Tex.; George Schmidt, Douglaston, N.Y.

[73] **Assignee:** Helen of Troy Corporation, El Paso, Tex.

[**] **Term:** 14 Years

[21] **Appl. No.:** 299,002

[22] **Filed:** Jan. 19, 1989

[52] **U.S. Cl.** D28/38

[58] **Field of Search** D28/9-11, D28/35-38, 61, 73, 77; D3/30.1, 39; 132/233, 269; 219/222, 242

[56] **References Cited**

U.S. PATENT DOCUMENTS

D. 206,982	2/1967	Giacchero	D28/38
D. 216,399	12/1969	Bomeisler	D3/39 X
D. 256,509	8/1980	Ryan	D28/38
D. 285,128	8/1986	Yuen	D28/77 X
D. 289,090	3/1987	Wistrand	D28/38
D. 289,091	3/1987	Skovdal	D28/38
4,298,787	11/1981	Barradas	132/233 X

OTHER PUBLICATIONS

Evans, 1980-81 Cat., p. 399, No. 5, at top.
Best, 1984-85 Cat., p. 233, No. 9.

Primary Examiner—Bernard Ansher
Assistant Examiner—C. Tuttle
Attorney, Agent, or Firm—Berman, Aisenberg & Platt

[57] **CLAIM**

The ornamental design for a cabinet and heating plate for a hairsetter, as shown and described.

DESCRIPTION

FIG. 1 is a top plan view of a cabinet and heating plate for a hairsetter showing our new design; FIG. 2 is a front elevational view thereof; FIG. 3 is a bottom plan view thereof. The cord portion is shown partially drawn for ease of illustration; FIG. 4 is a rear elevational view thereof; FIG. 5 is a left end elevational view thereof; FIG. 6 is a right end elevational view thereof; FIG. 7 is a top plan view shown in an open condition; FIG. 8 is a front elevational view thereof; FIG. 9 is a bottom plan view thereof; FIG. 10 is a rear elevational view thereof; FIG. 11 is a left end elevational view thereof; and FIG. 12 is a right end elevational view thereof. The broken line showing of the hair roller in FIGS. 10 and 11 is for illustrative purposes only and forms no part of the claimed design.

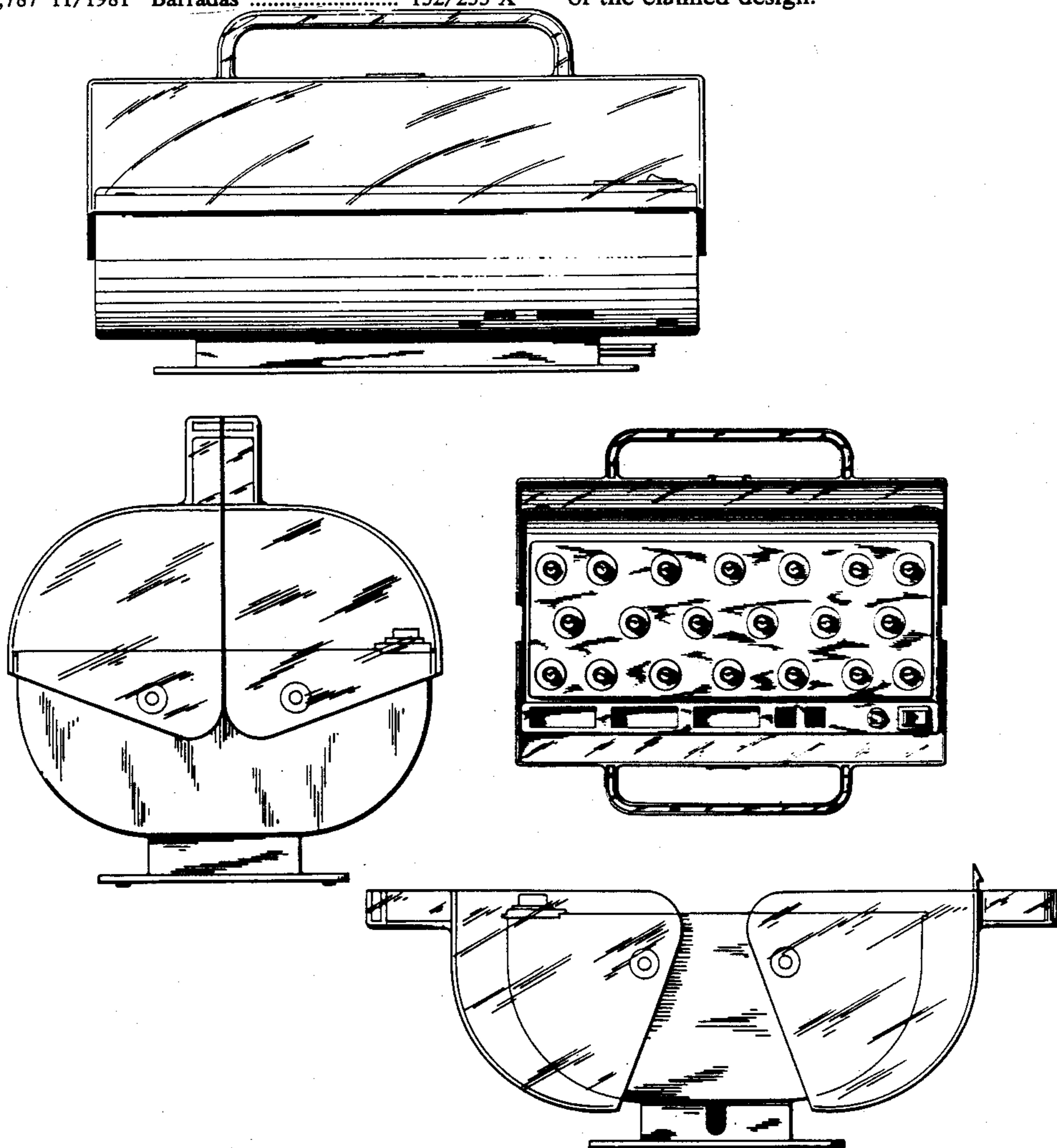


FIG. 1

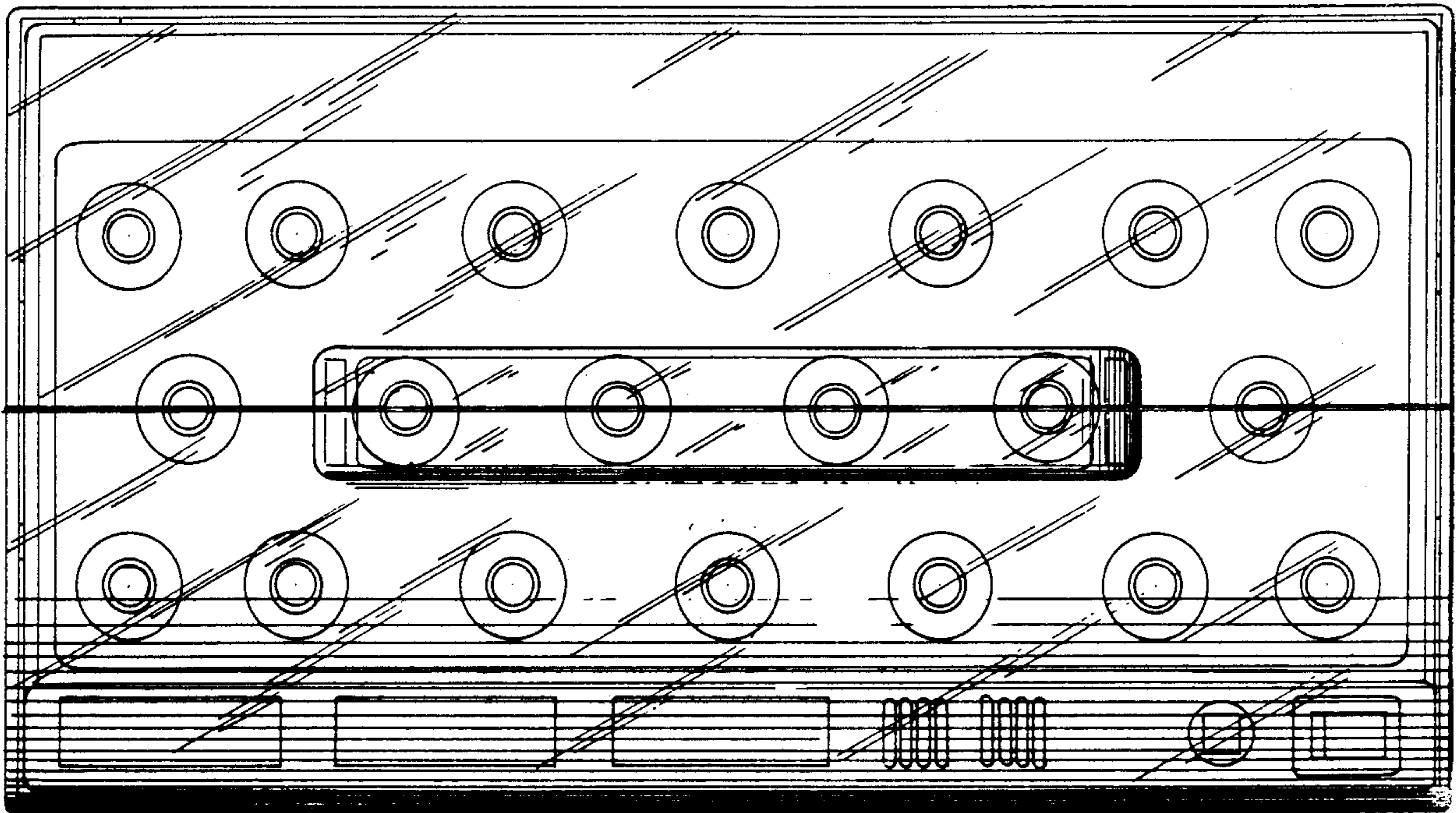


FIG. 2

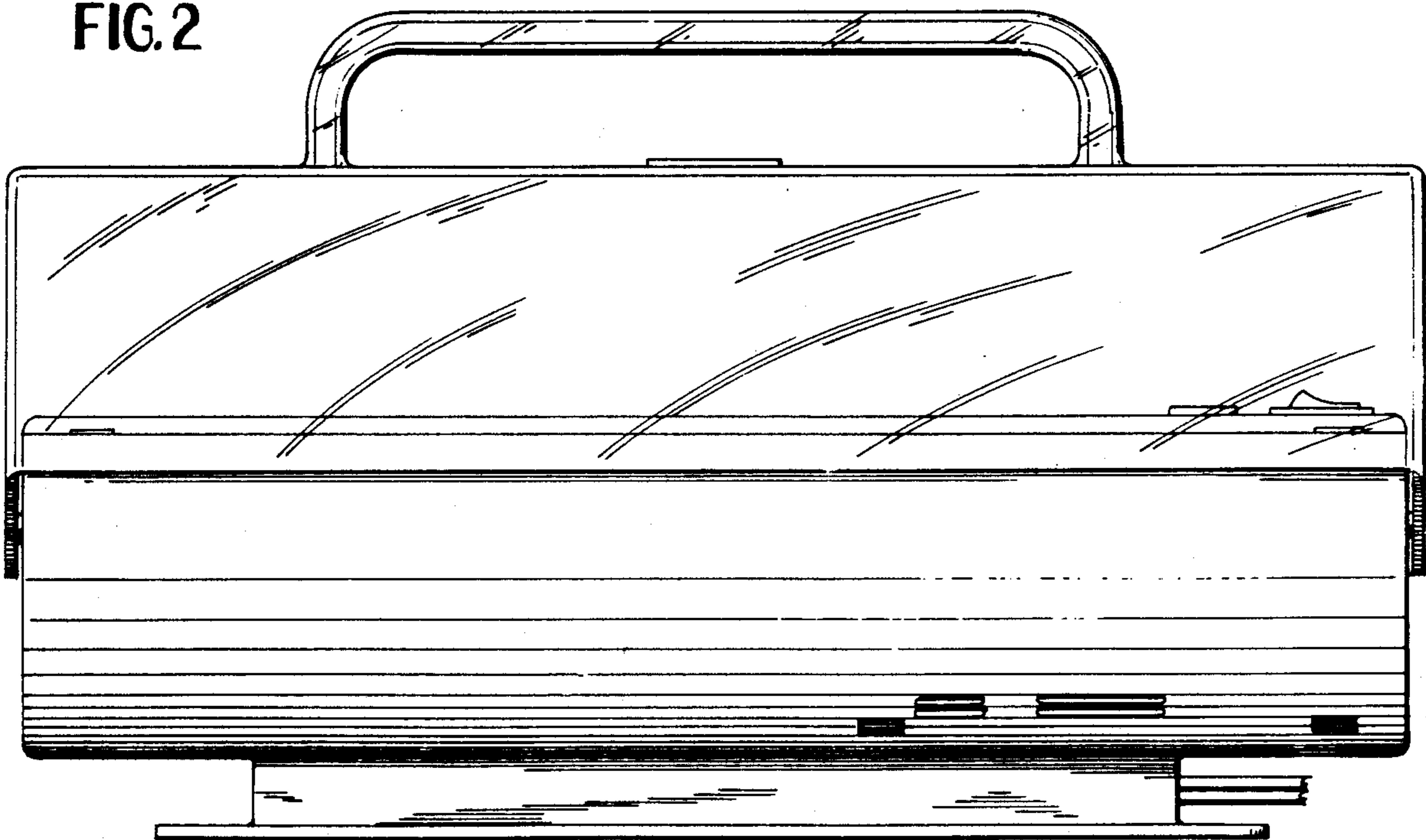


FIG. 3

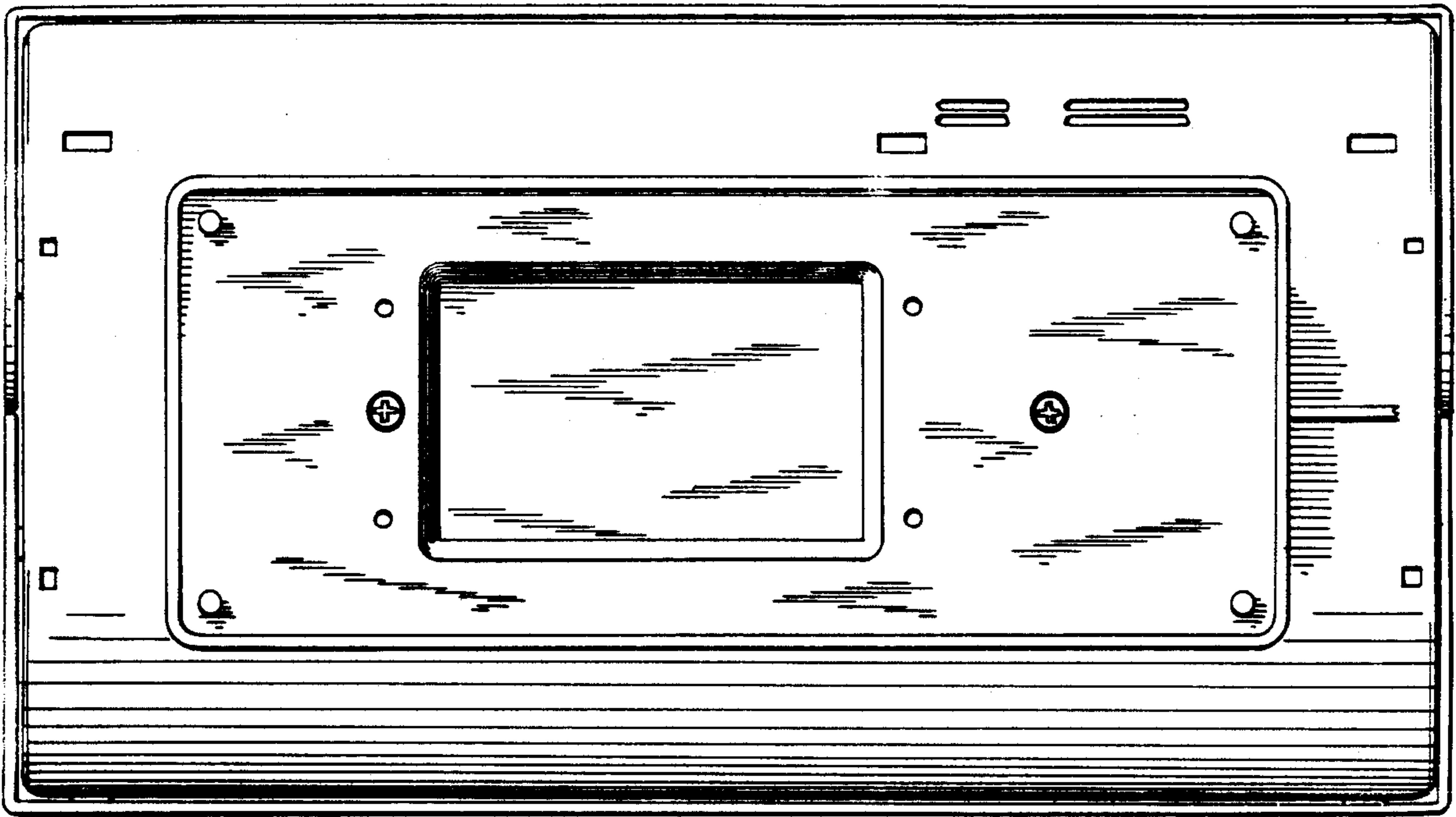


FIG. 4

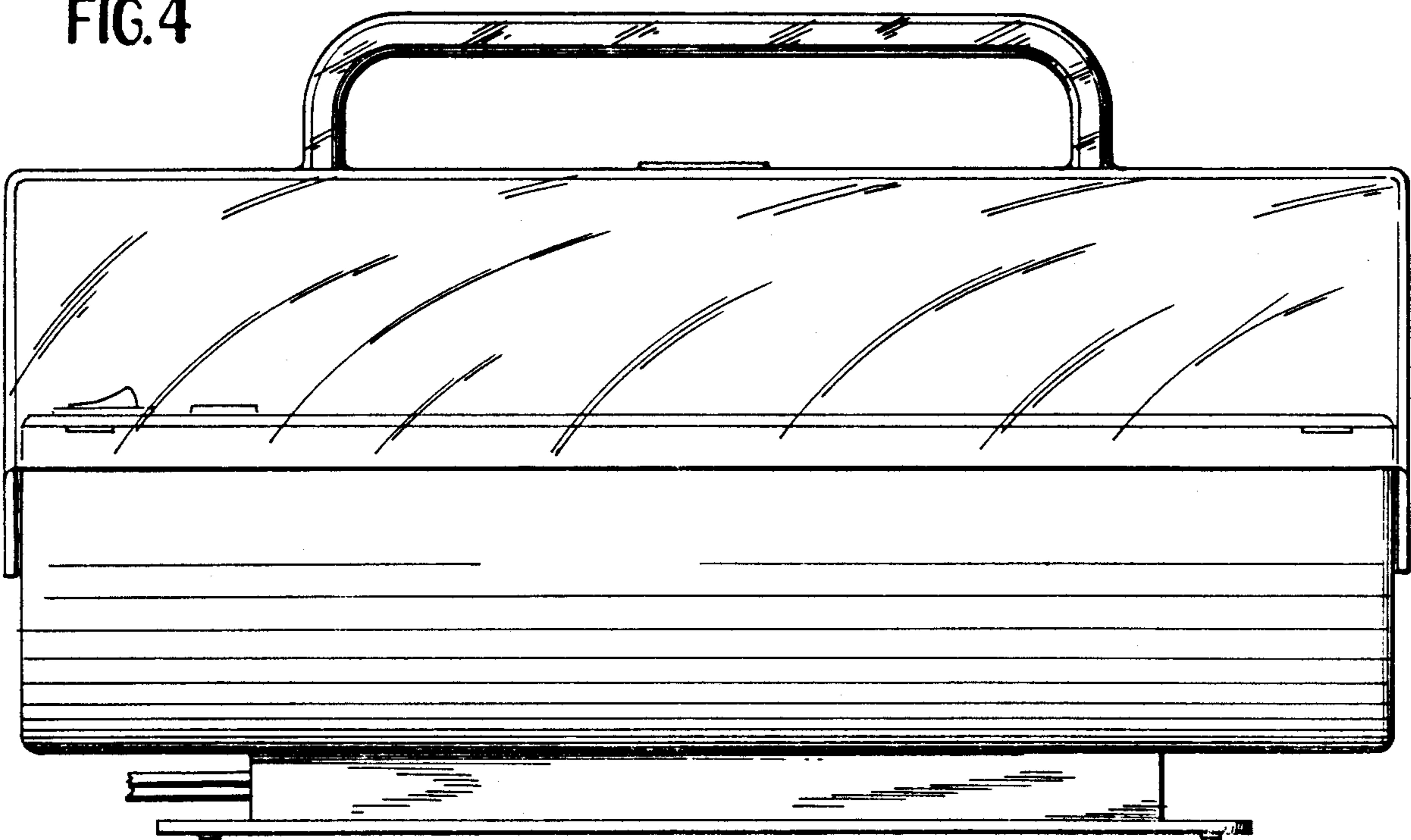


FIG. 5

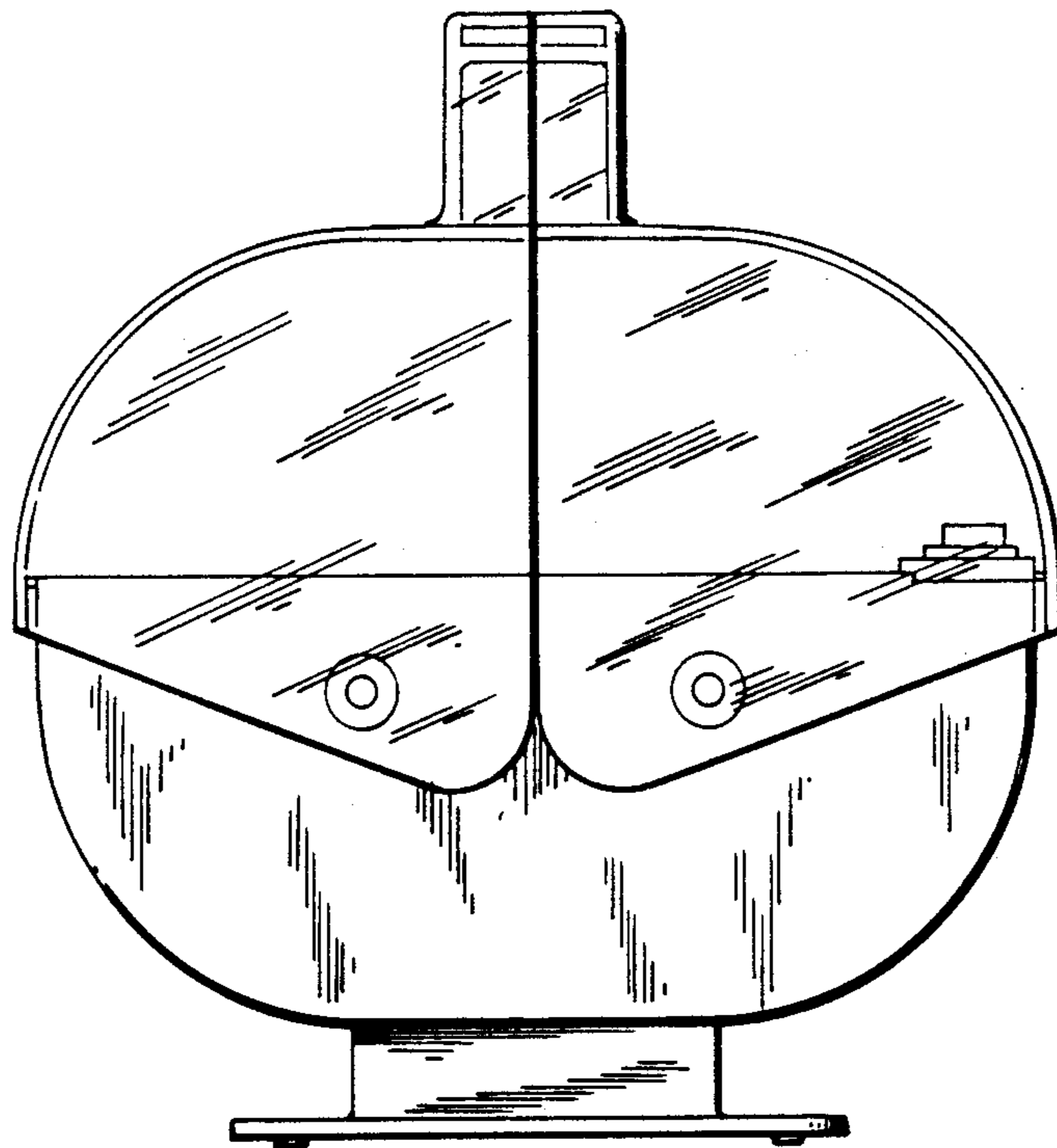


FIG. 6

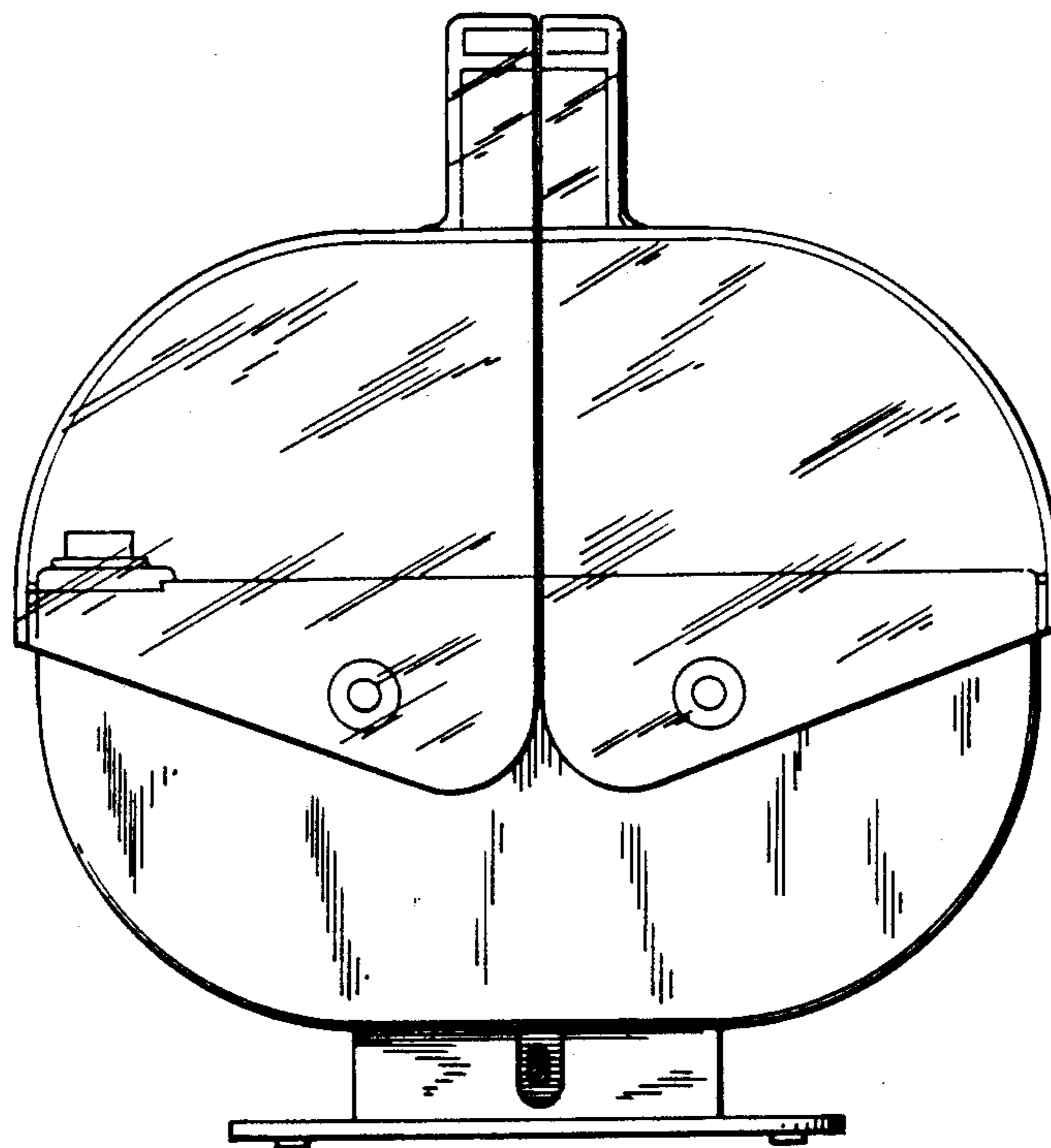


FIG. 7

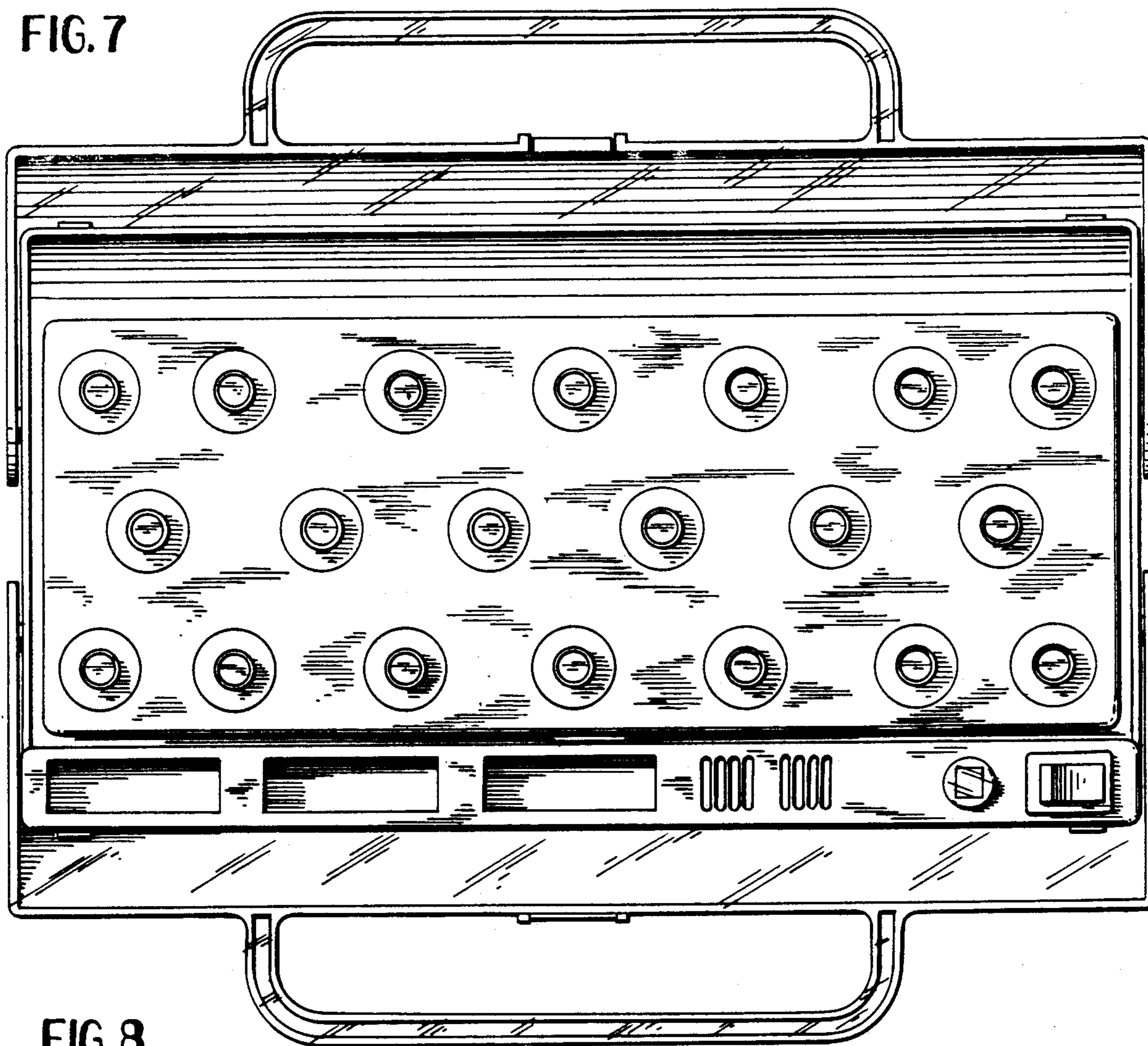


FIG. 8

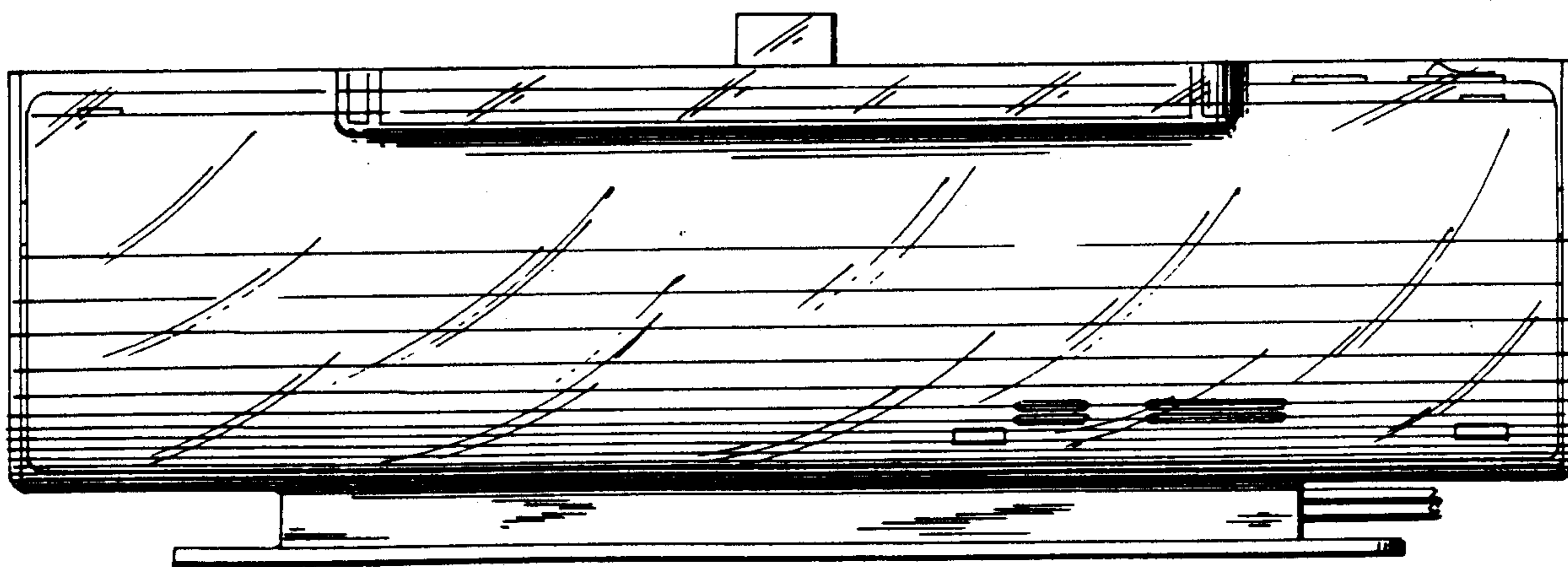


FIG. 9

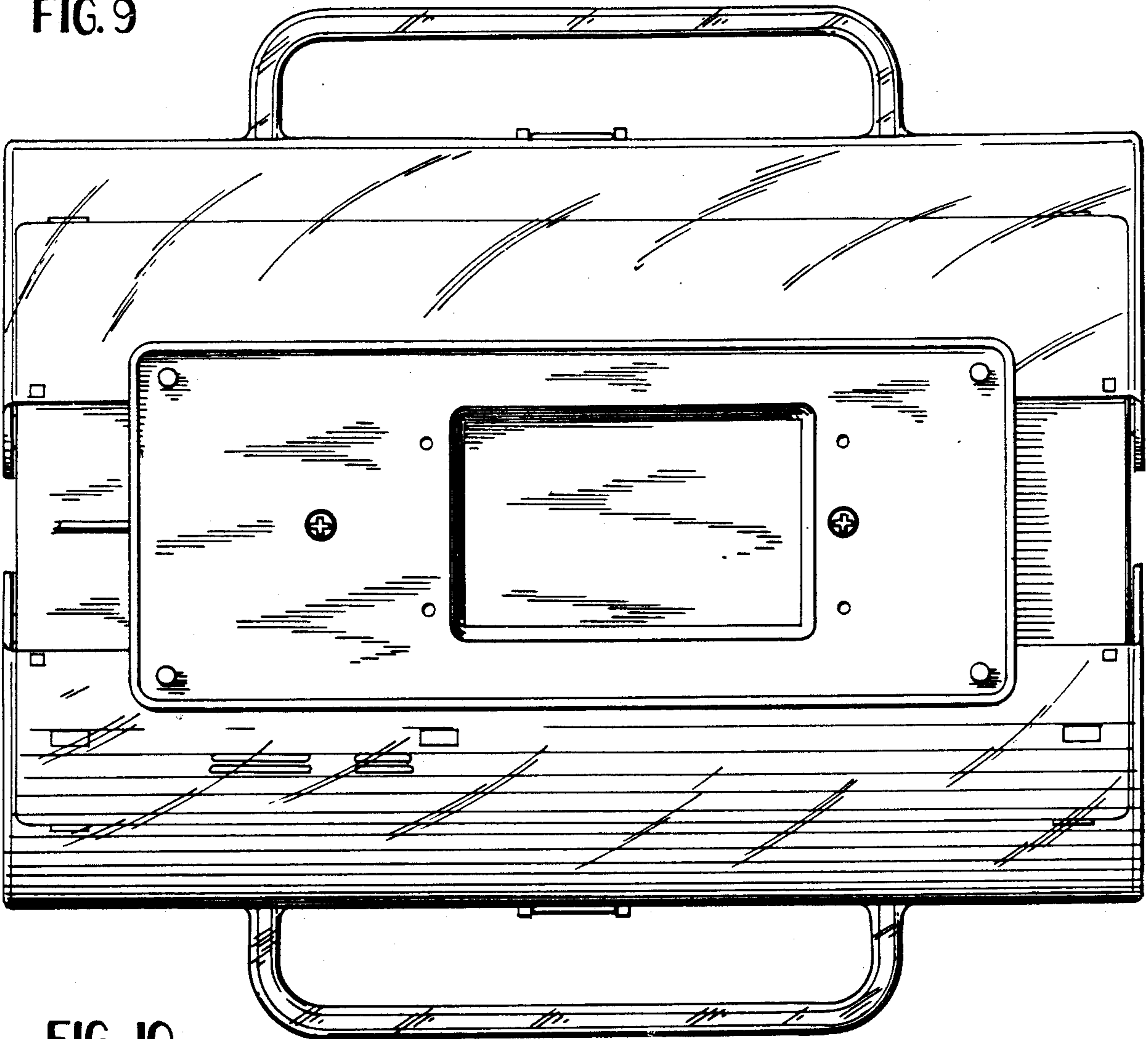


FIG. 10

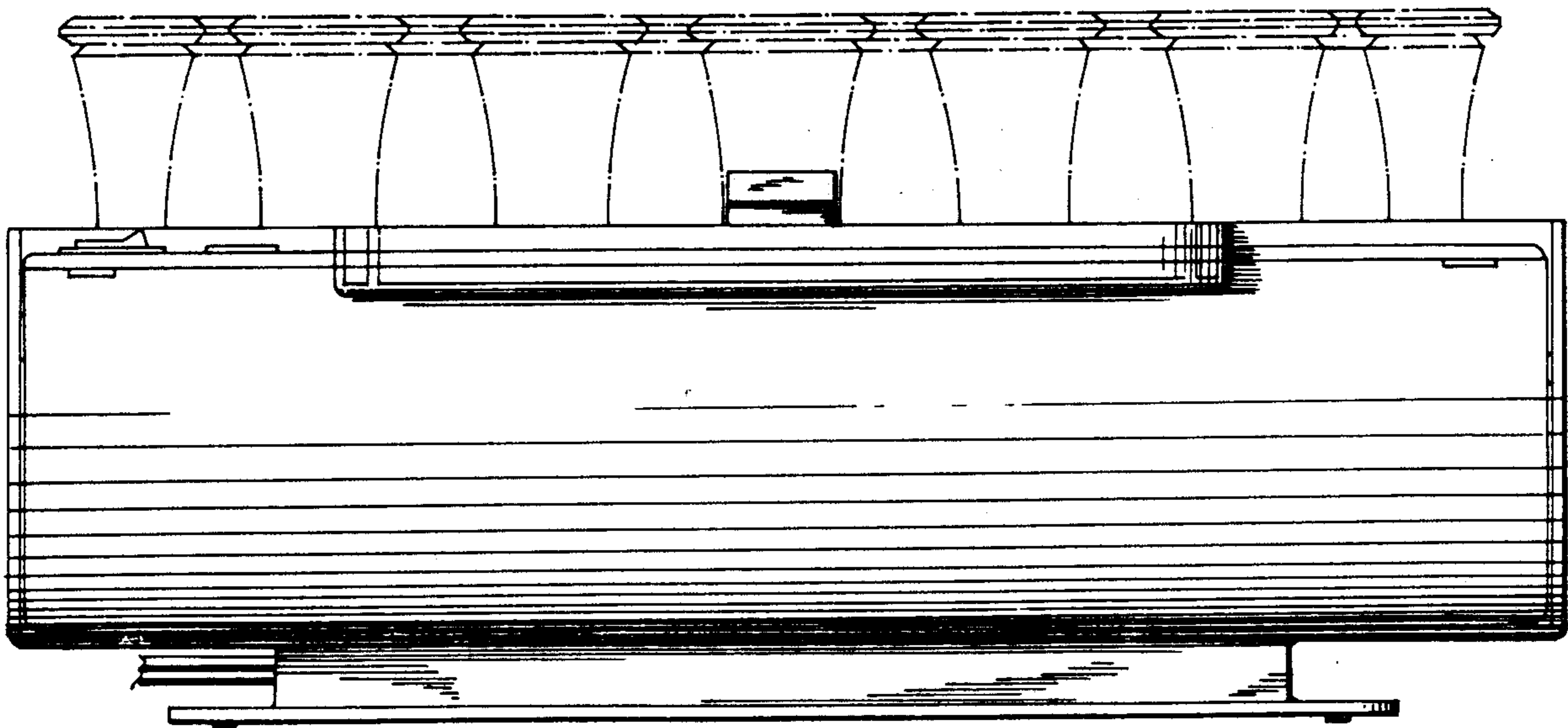


FIG. 11

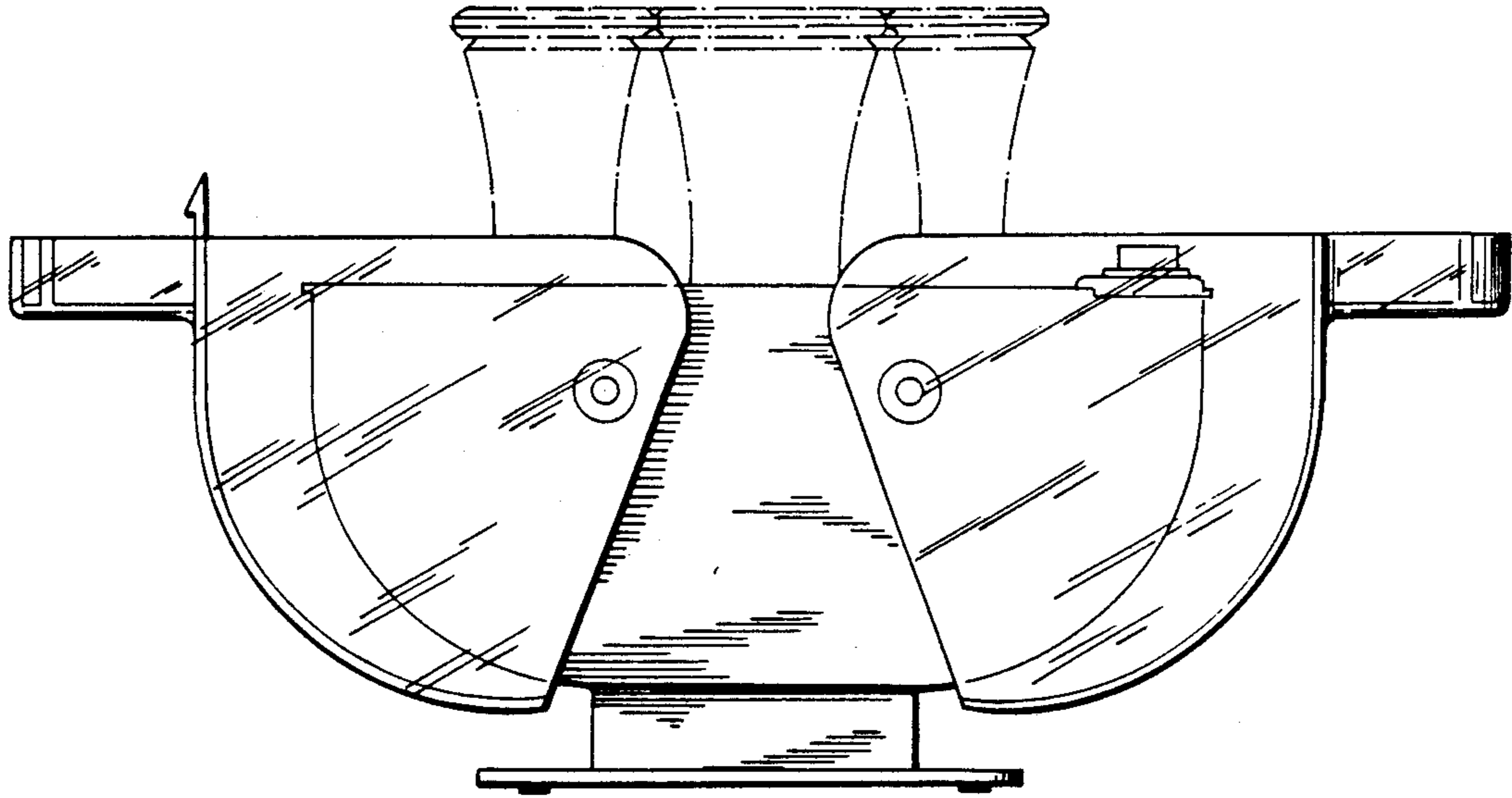


FIG. 12

