

[54] HAIR CURLING IRON TIP  
 [75] Inventor: **Ralph J. Gelinas**, Tarzana, Calif.  
 [73] Assignee: **Triune Research Corporation**,  
 Calabasas, Calif.  
 [\*\*] Term: **14 Years**  
 [21] Appl. No.: **354,692**  
 [22] Filed: **May 19, 1989**  
 [52] U.S. Cl. .... **D28/35; D28/37**  
 [58] Field of Search ..... **D28/35, 37;**  
**132/223-244, 263-269, 271; 219/222-226, 229,**  
**238**

4,145,600 3/1979 Walter et al. .... 219/230 X  
 4,503,317 3/1985 Mancillas ..... 219/225

*Primary Examiner*—Bernard Ansher  
*Assistant Examiner*—C. Tuttle  
*Attorney, Agent, or Firm*—Freilich Hornbaker Rosen

[57] CLAIM

The ornamental design for the hair curling iron tip, as shown and described.

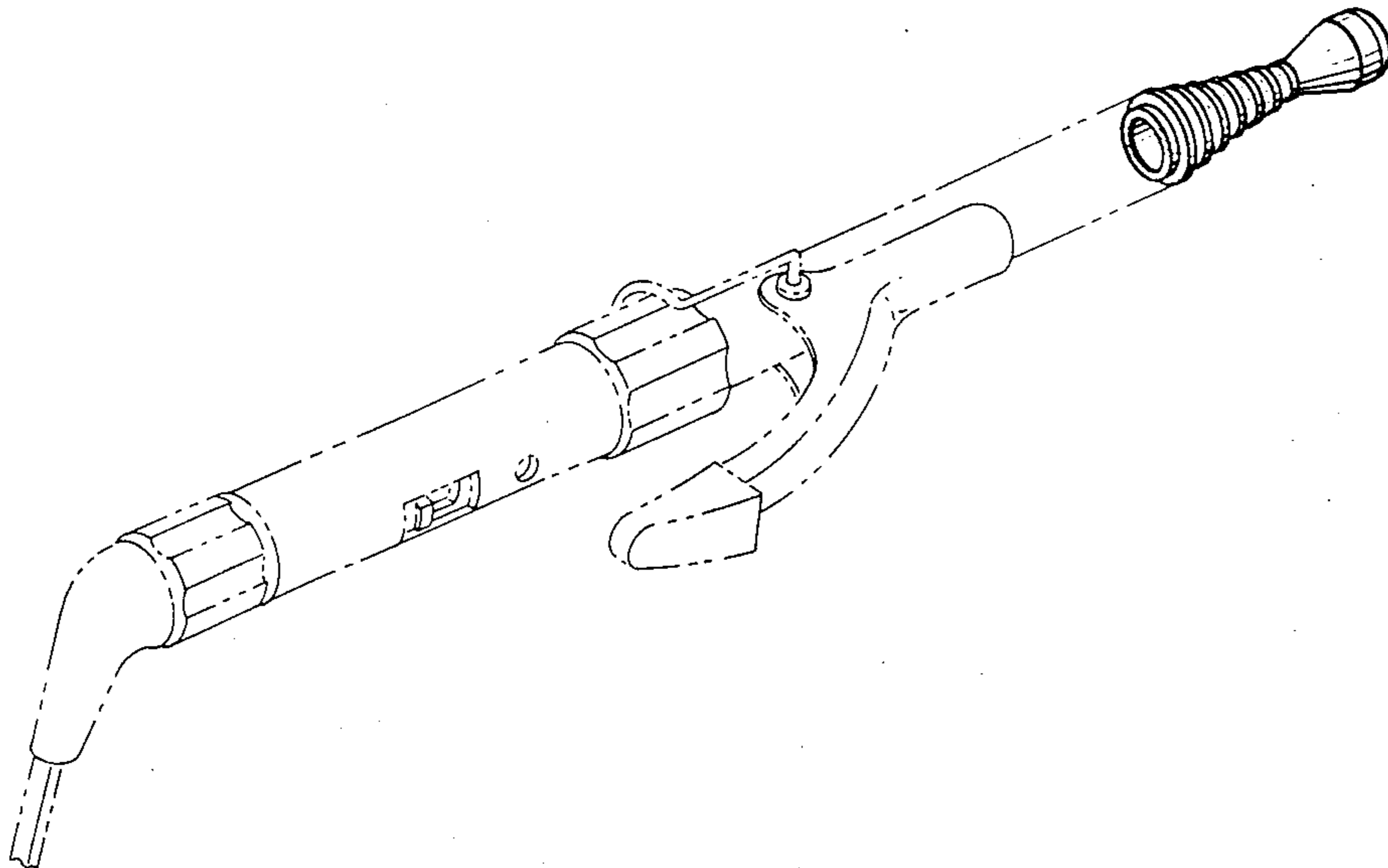
DESCRIPTION

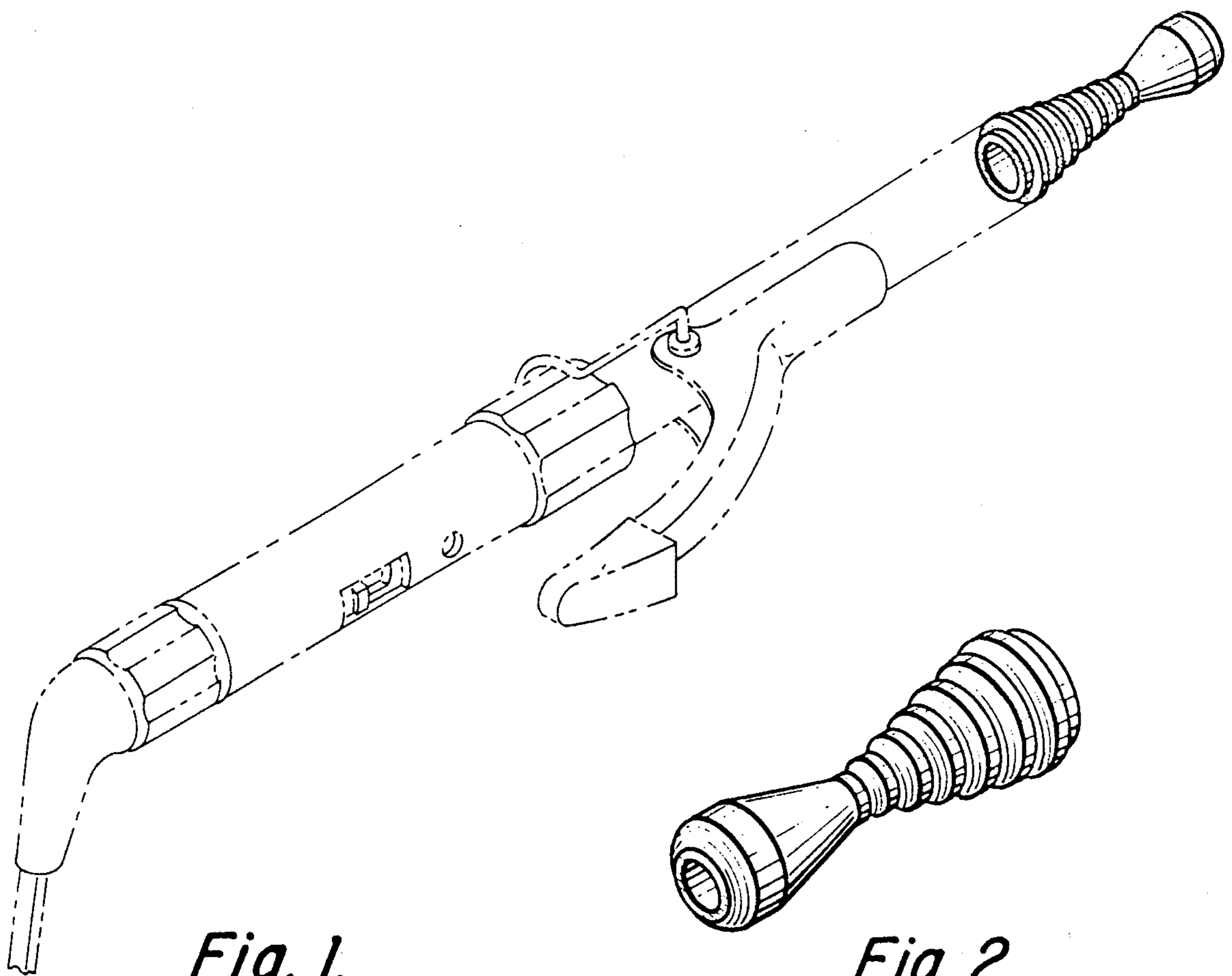
FIG. 1 is a rear isometric view of my hair curling iron tip showing my new design;  
 FIG. 2 is a front isometric view thereof;  
 FIG. 3 is a front end elevational view thereof;  
 FIG. 4 is a rear end elevational view thereof; and  
 FIG. 5 is a side elevational view thereof, the side opposite being a mirror image of the side shown.

The broken line disclosure of a mating curling iron is for illustrative purposes only and forms no part of the claimed design.

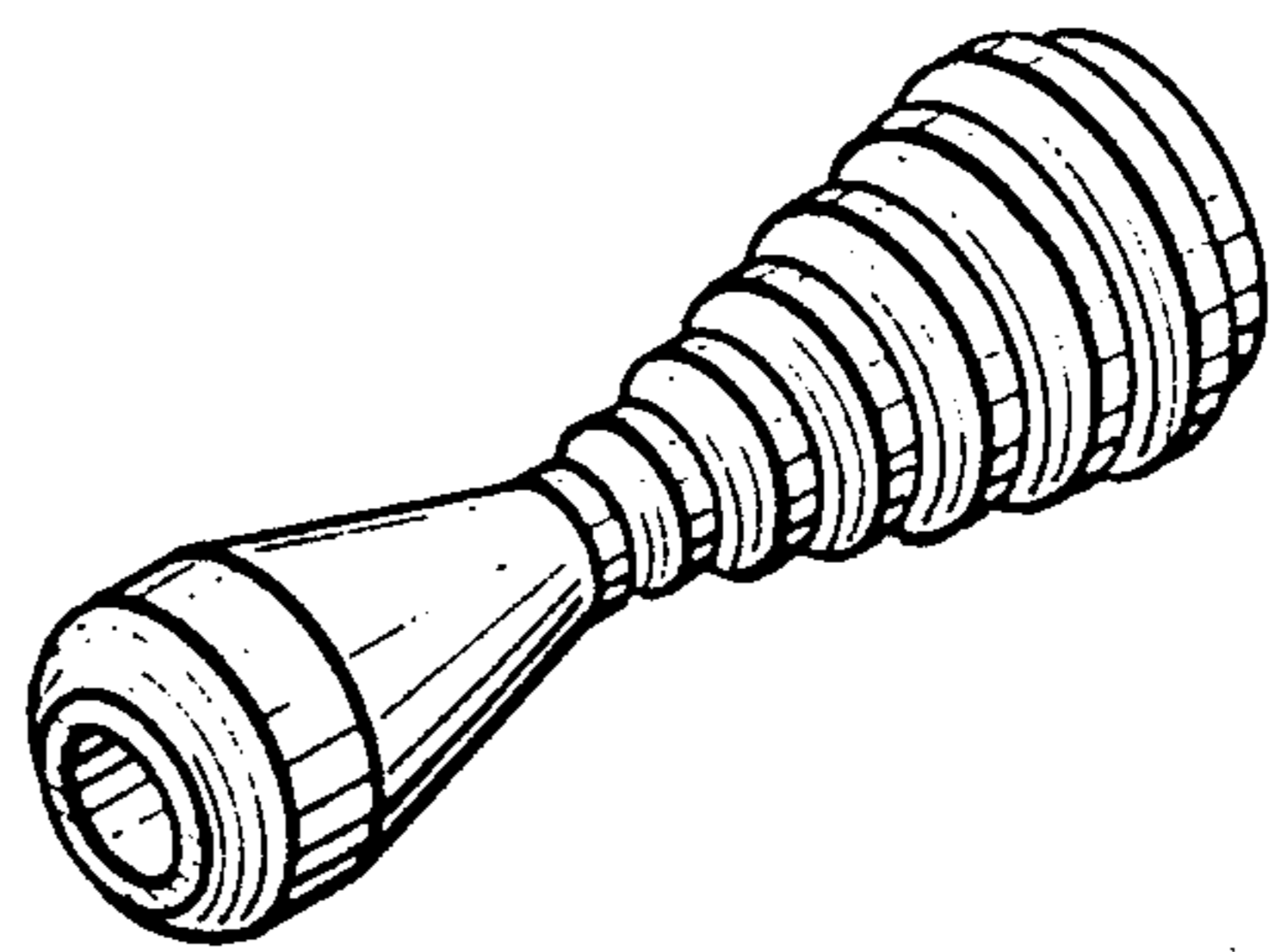
[56] **References Cited**  
**U.S. PATENT DOCUMENTS**

D. 132,549	5/1942	Jordan	.....	D28/35
D. 256,282	8/1980	Haase	.....	D28/35 X
D. 302,598	8/1989	Keung	.....	D28/37
1,974,625	9/1934	Murray et al.	.....	132/238 X





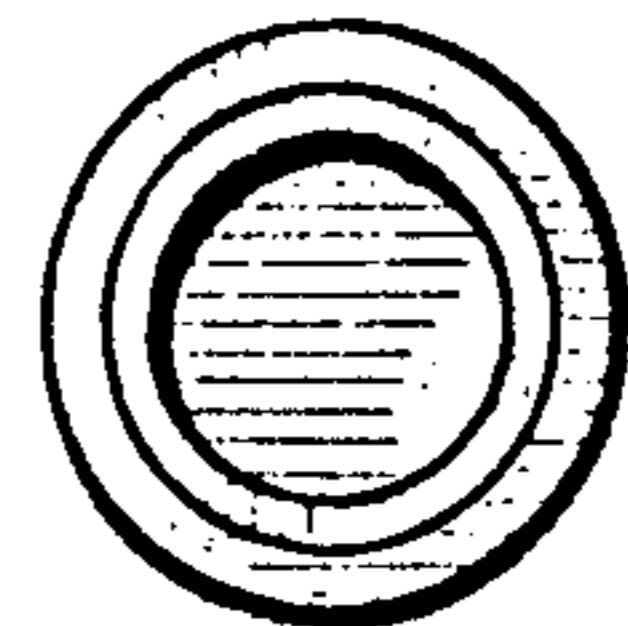
*Fig. 1.*



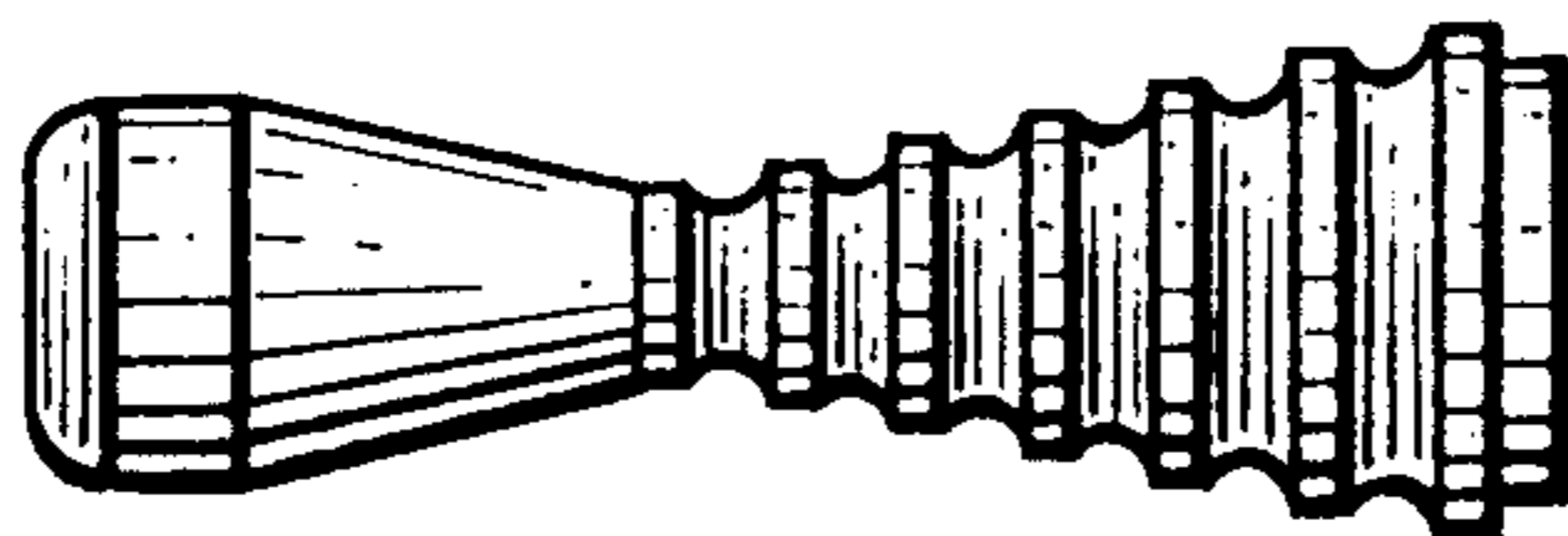
*Fig. 2.*



*Fig. 3.*



*Fig. 4.*



*Fig. 5.*